



US00D653110S

(12) **United States Design Patent**
Sweeton

(10) **Patent No.:** **US D653,110 S**
(45) **Date of Patent:** **** Jan. 31, 2012**

(54) **CONTINUOUS THREAD SHROUD**

(75) Inventor: **Steven L. Sweeton**, Lake Winnebago,
MO (US)

(73) Assignee: **MeadWestvaco Calmar, Inc.**,
Grandview, MO (US)

(**) Term: **14 Years**

(21) Appl. No.: **29/370,286**

(22) Filed: **Jun. 25, 2010**

(51) **LOC (9) Cl.** **09-07**

(52) **U.S. Cl.** **D9/448**

(58) **Field of Classification Search** D9/685,
D9/682, 456, 448, 447, 435, 434, 415; D23/227,
D23/226, 213; 222/556-557, 402.13, 383.1,
222/281, 251, 182

See application file for complete search history.

(56) **References Cited**

U.S. PATENT DOCUMENTS

D358,198 S *	5/1995	Wadsworth	D23/226
D377,602 S *	1/1997	Wadsworth	D9/448
D406,060 S *	2/1999	Dumont et al.	D9/448
D409,915 S *	5/1999	Durliat et al.	D9/448
D579,330 S *	10/2008	Sweeton et al.	D9/448
D588,455 S *	3/2009	Sweeton et al.	D9/448

* cited by examiner

Primary Examiner — Susan Bennett Hattan

(74) *Attorney, Agent, or Firm* — MWV Intellectual Property
Group

(57) **CLAIM**

The ornamental design for a continuous thread shroud, as
shown and described.

DESCRIPTION

FIG. 1 is a perspective view of a continuous thread shroud
showing the new design;

FIG. 2 is a left side view of the new design;

FIG. 3 is a right side view of the new design;

FIG. 4 is a front elevational view of the new design;

FIG. 5 is a rear elevational view of the new design;

FIG. 6 is a top view of the new design;

FIG. 7 is a bottom view of the new design;

FIG. 8 is a perspective view of a first alternative embodiment
of the new design;

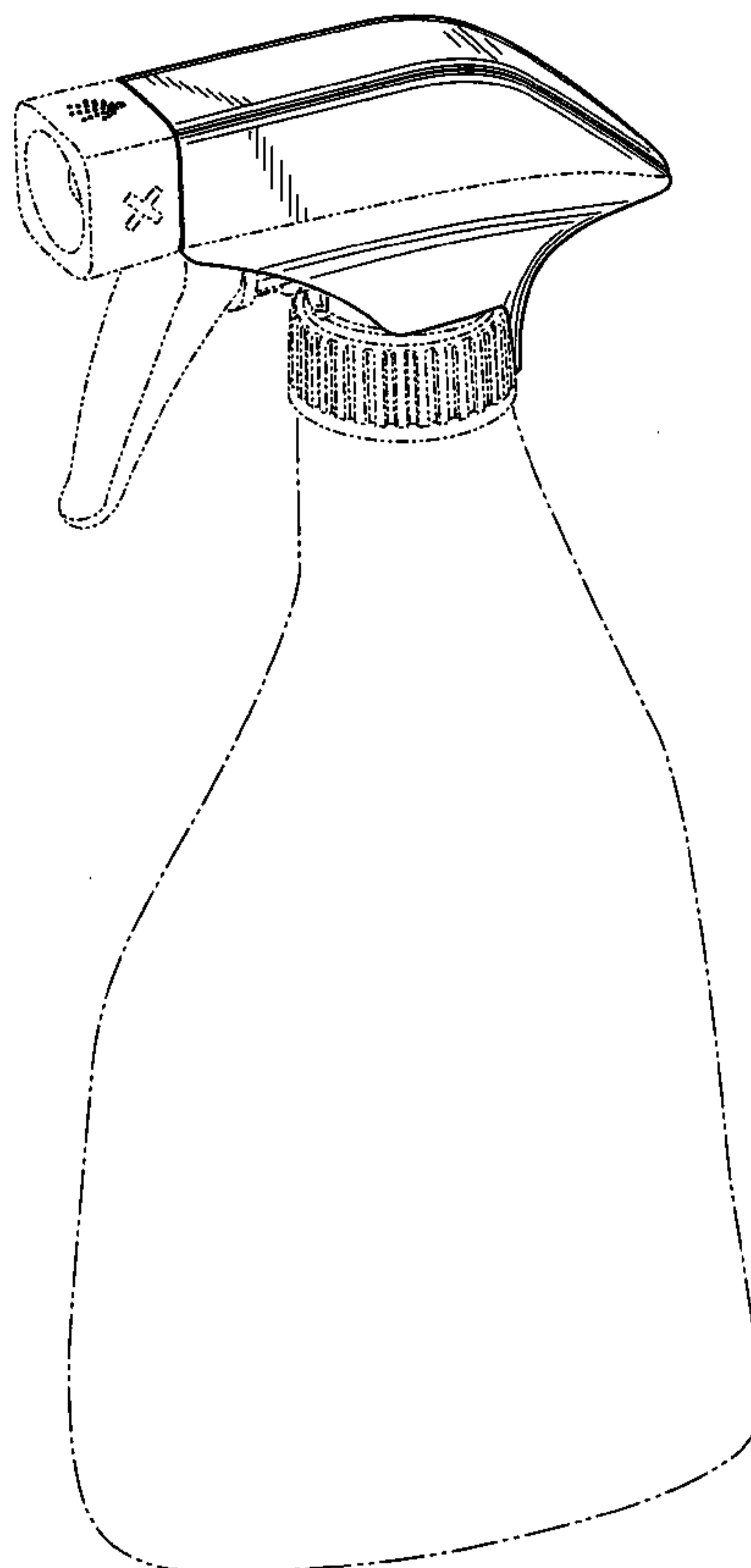
FIG. 9 is a left side view of a first alternative embodiment of
the new design;

FIG. 10 is a right side view of a first alternative embodiment
of the new design; and,

FIG. 11 rear elevational view of a first alternative embodi-
ment of the new design.

The broken-line disclosure is understood to represent por-
tions of the article in which the claimed design is embodied,
but which form no part of the claimed design.

1 Claim, 6 Drawing Sheets



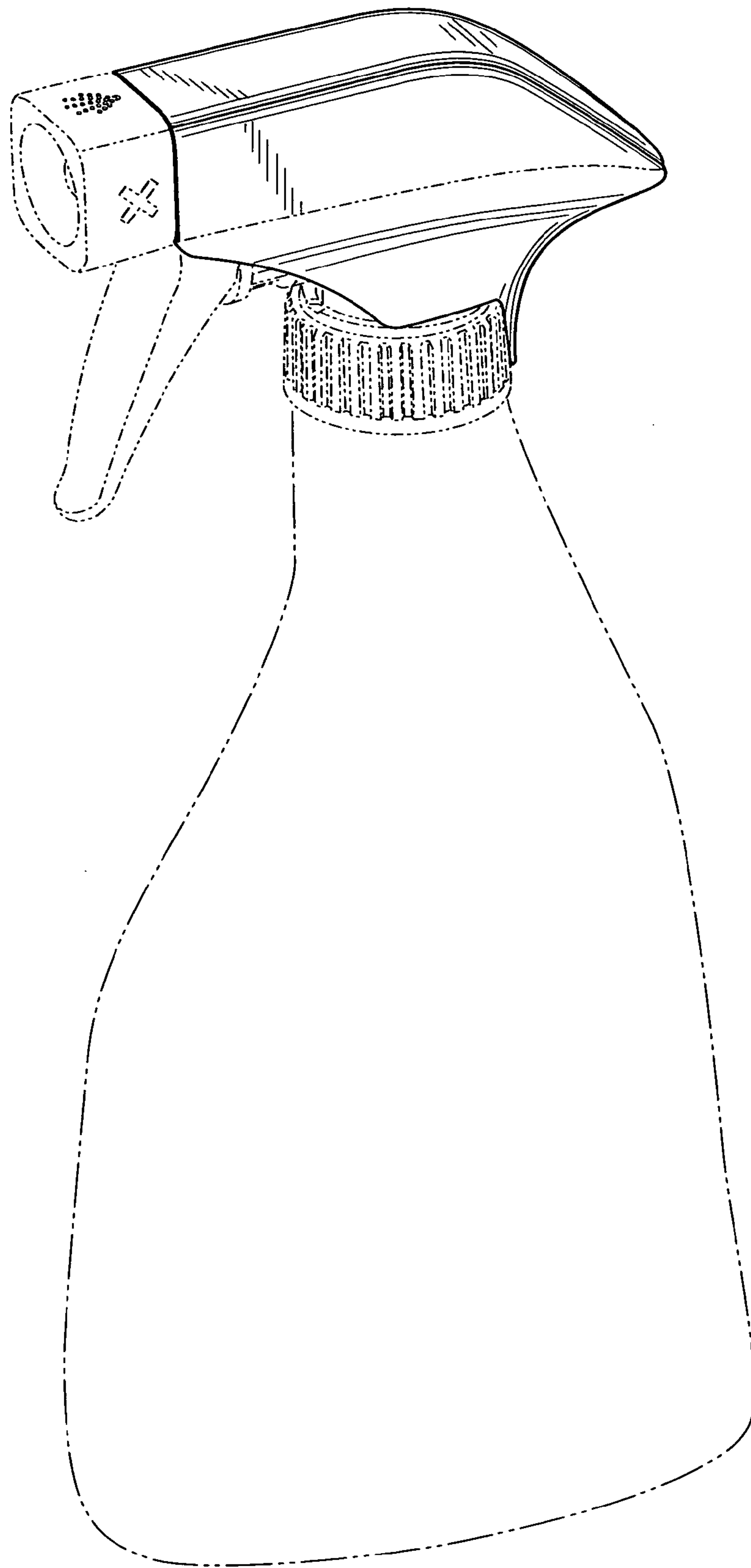


FIG. 1

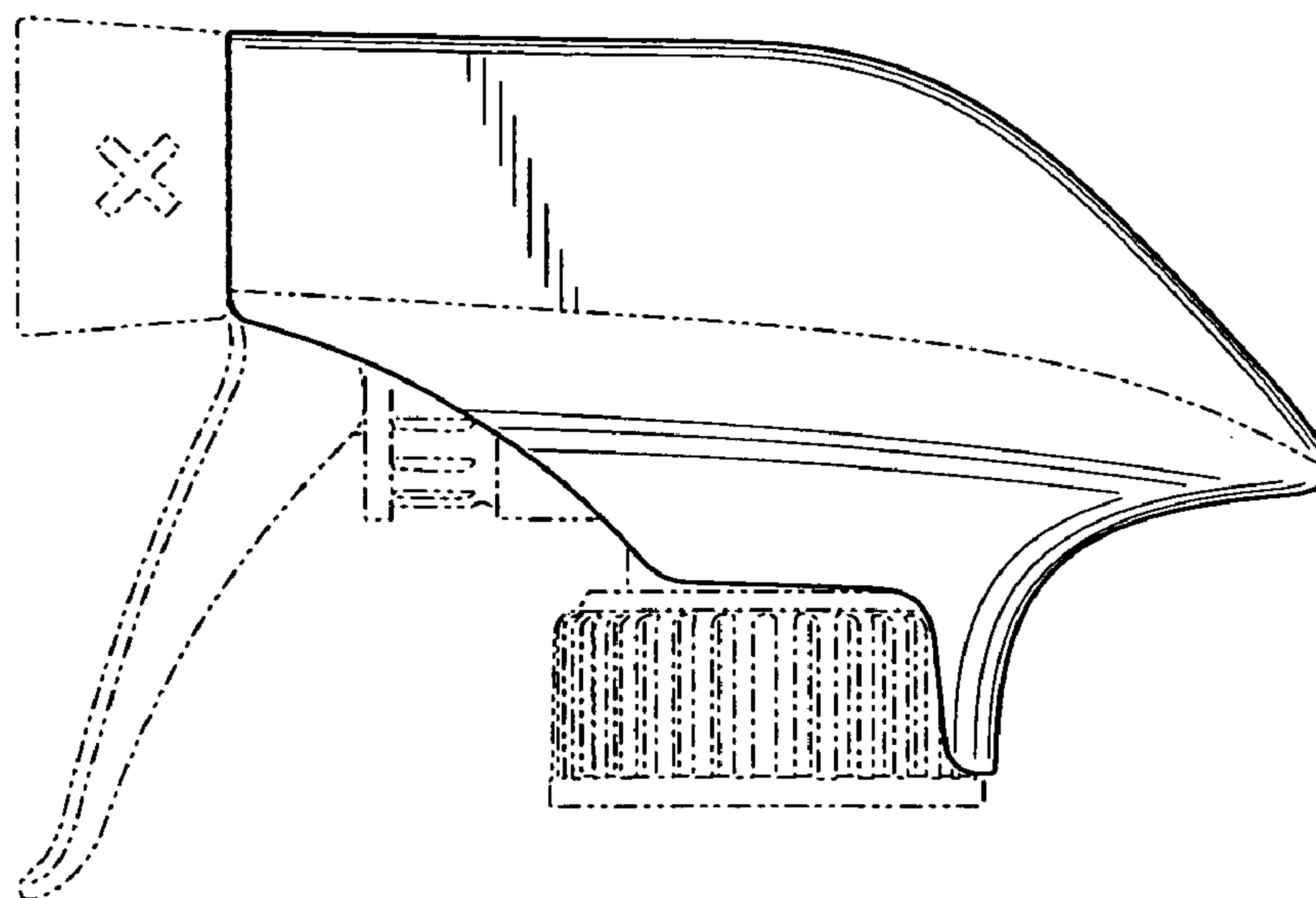


FIG. 2

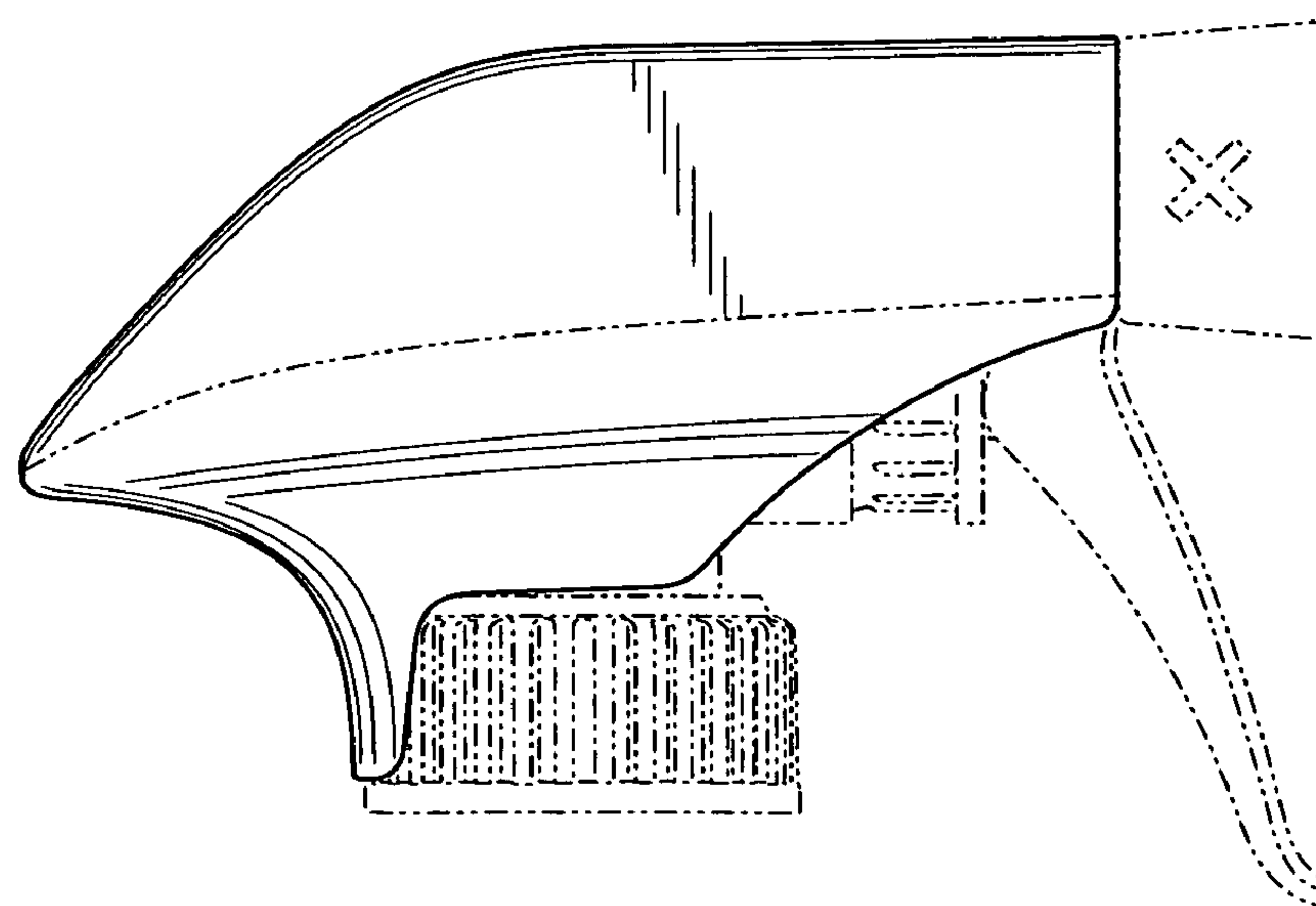


FIG. 3

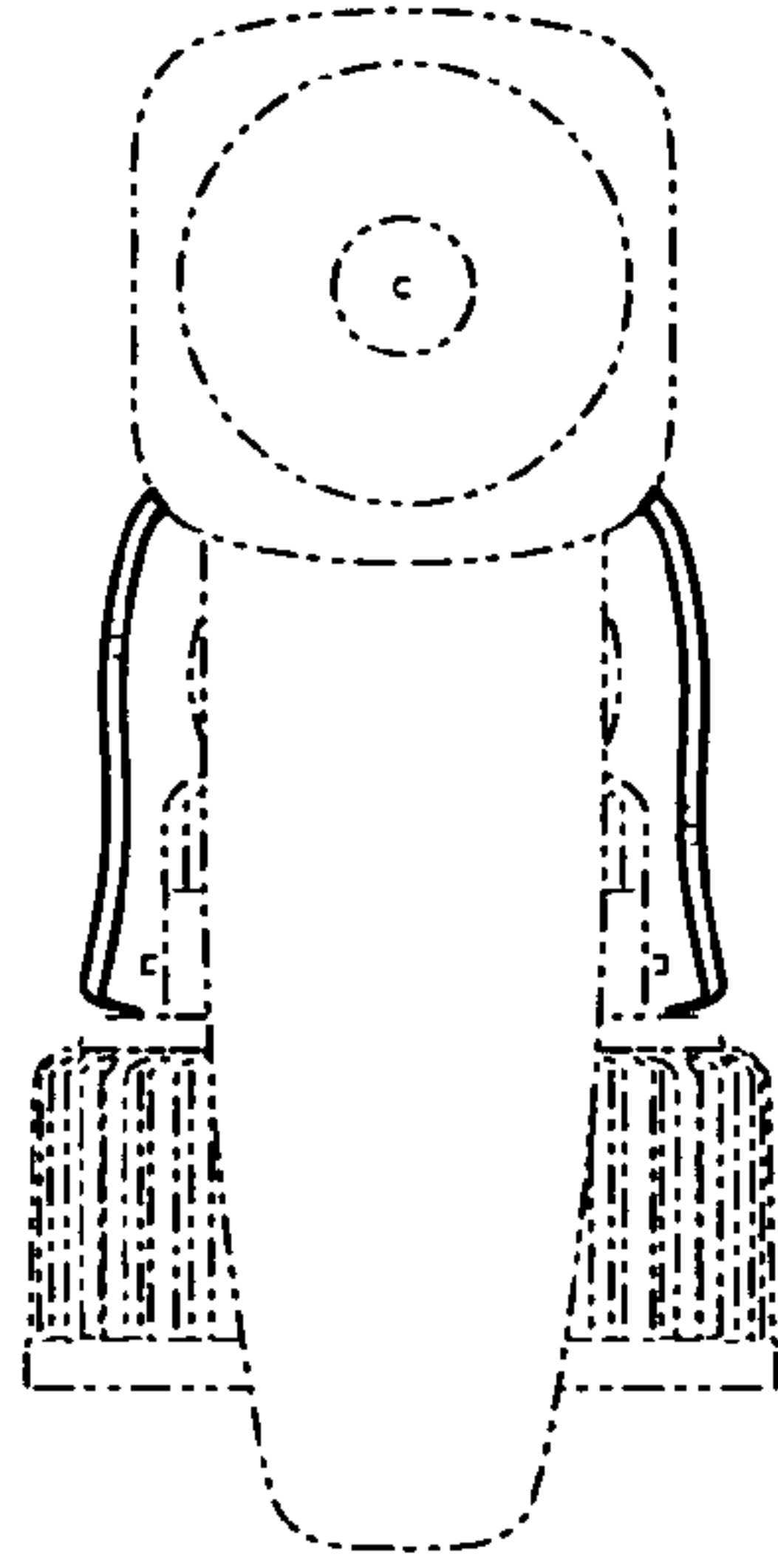


FIG. 4

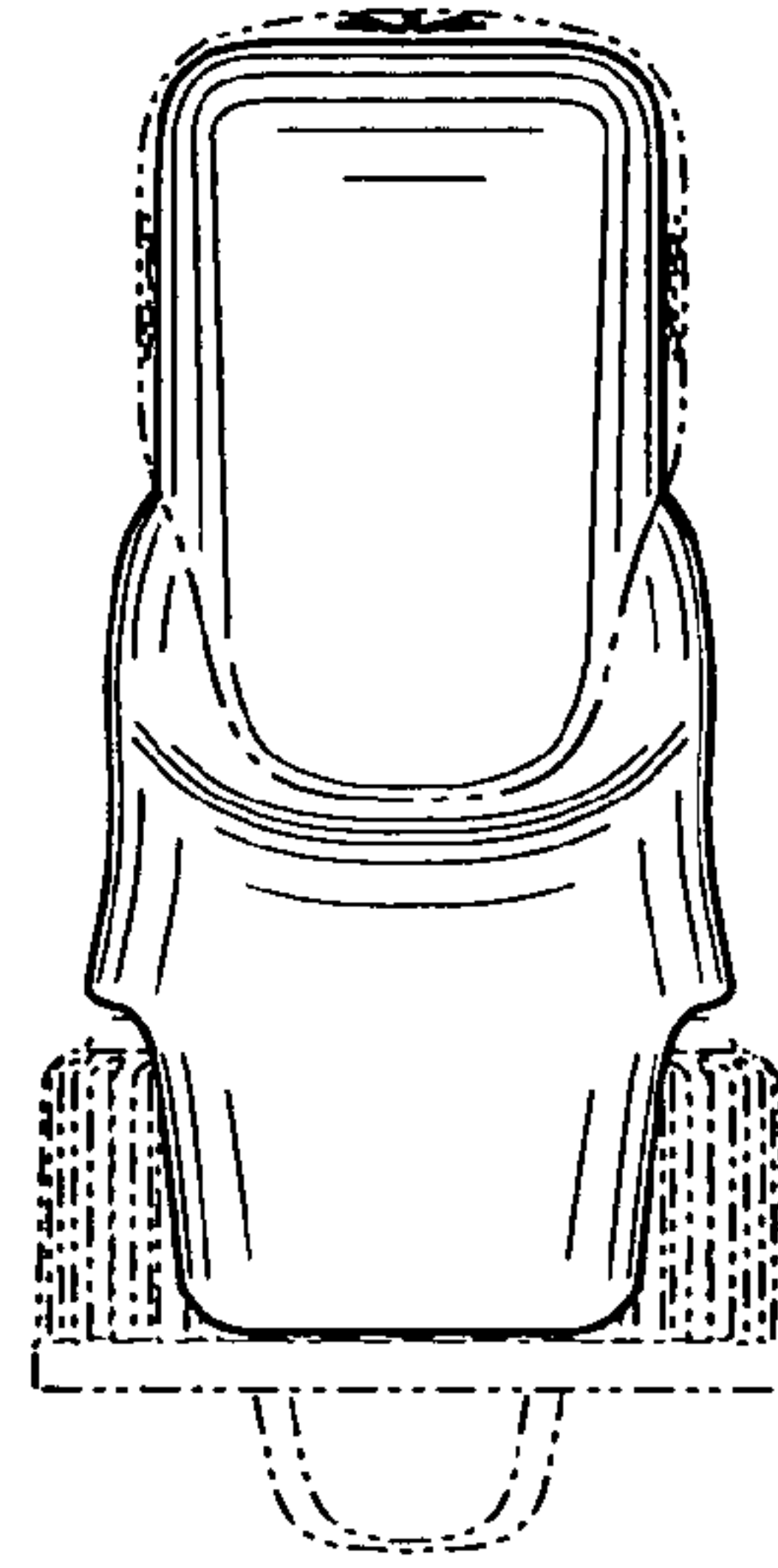


FIG. 5

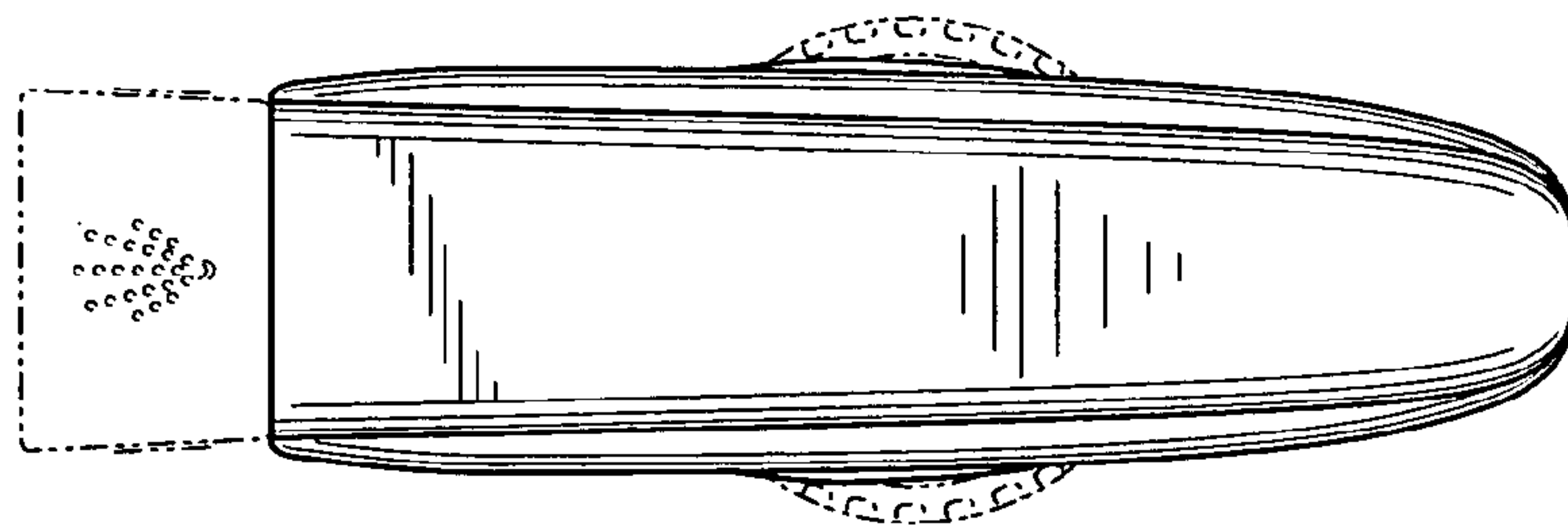


FIG. 6

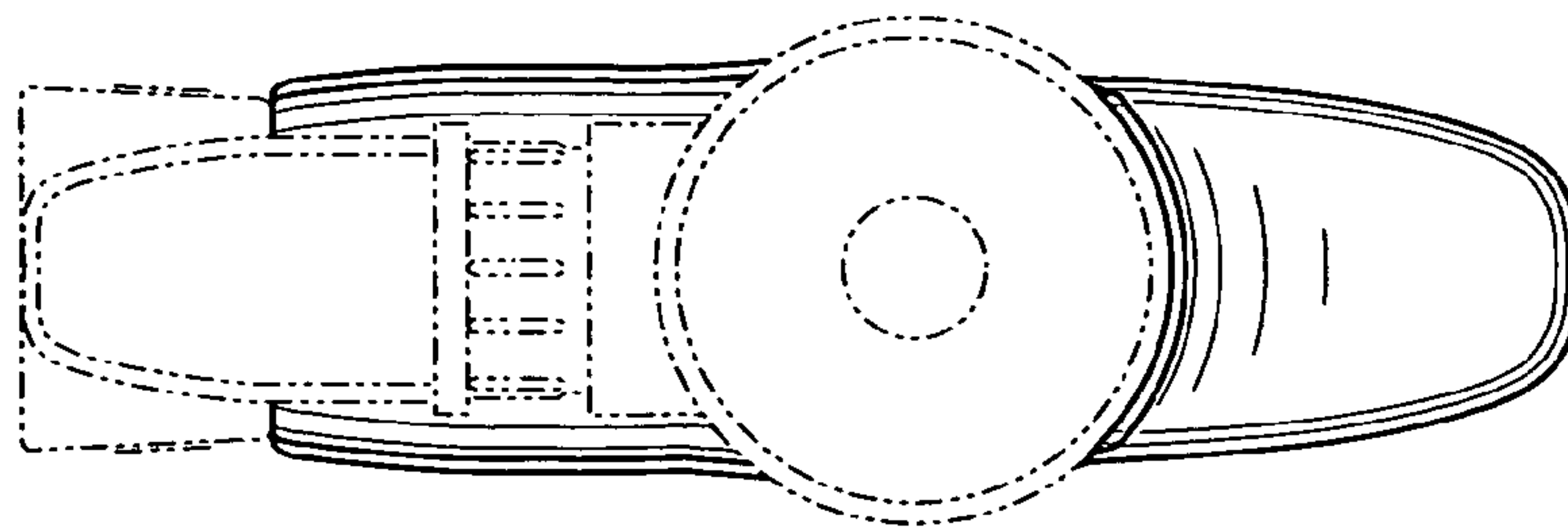


FIG. 7

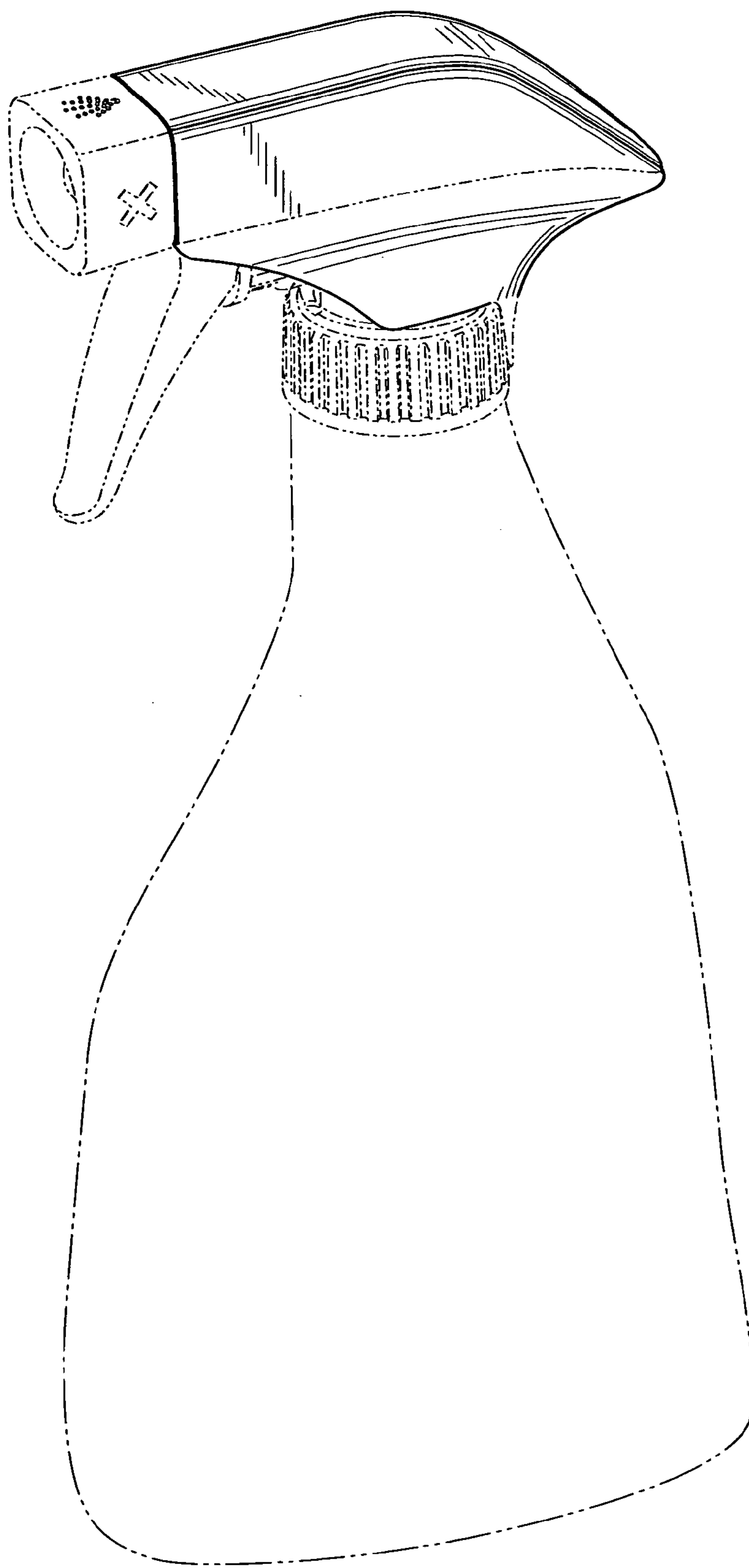


FIG. 8

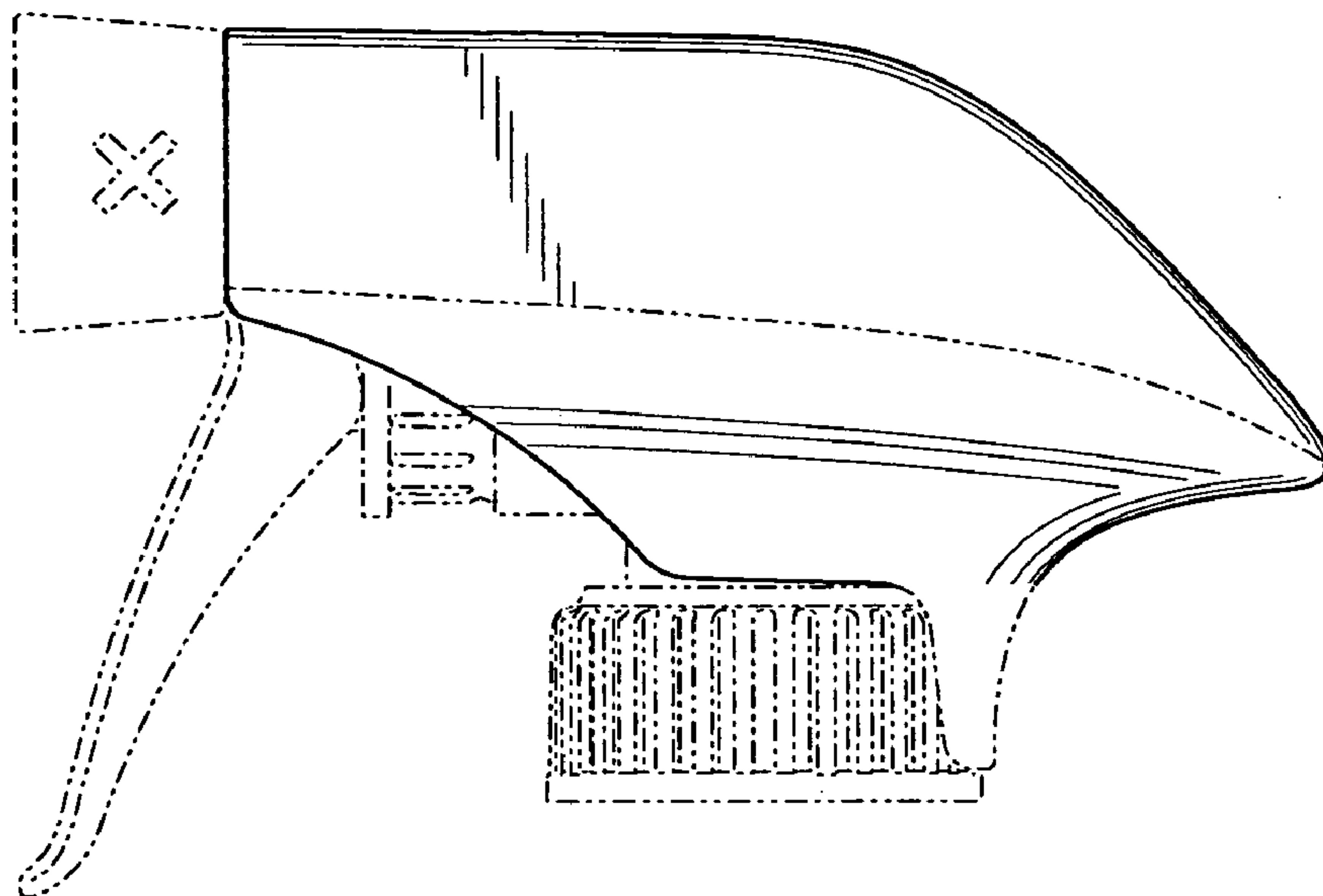


FIG. 9

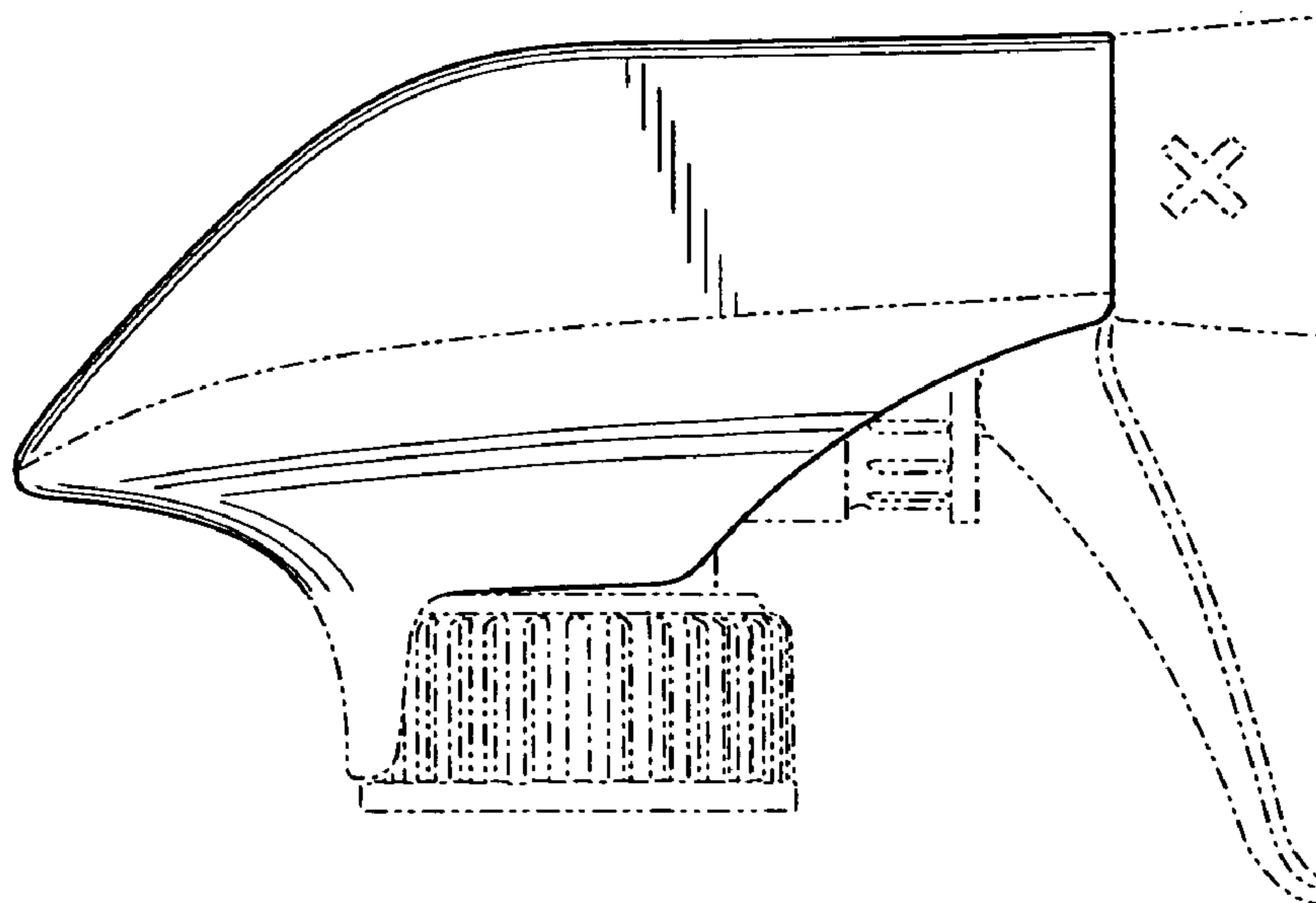


FIG. 10

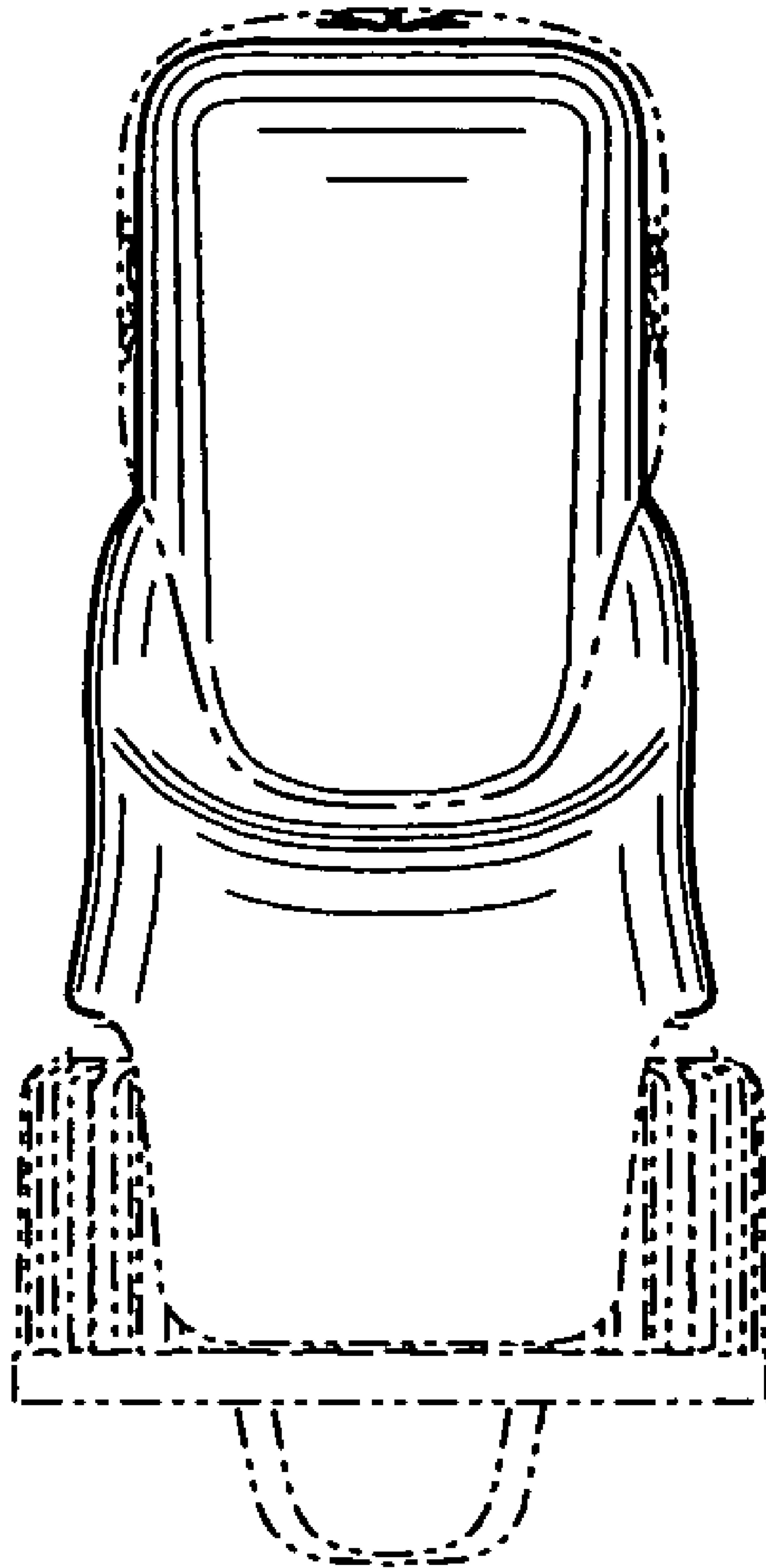


FIG. 11