

US00D653103S

(12) **United States Design Patent**
Tomasi et al.

(10) **Patent No.:** **US D653,103 S**
(45) **Date of Patent:** **** Jan. 31, 2012**

(54) **PIPE HANGER CLAMP**

(75) Inventors: **Francesco Tomasi**, Brisbane (AU); **John Hammond**, Brisbane (AU); **Craig Mounsey**, Toowong (AU); **Owen Bawden**, Toowong (AU); **Neil Davidson**, Toowong (AU)

(73) Assignee: **Sitka Developments Pty Ltd**, Brisbane (AU)

(**) Term: **14 Years**

(21) Appl. No.: **29/388,814**

(22) Filed: **Apr. 1, 2011**

(30) **Foreign Application Priority Data**

Oct. 5, 2010 (AU) 333456

(51) **LOC (9) Cl.** **08-08**

(52) **U.S. Cl.** **D8/396**

(58) **Field of Classification Search** D8/354,
D8/355, 356, 371, 373, 376, 394-396, 380,
D8/382; 24/16 R, 20 R; 248/49, 58-62,
248/74.1-74.5, 73, 70, 228.8, 230.8; 47/32.4-32.6,
47/42

See application file for complete search history.

(56) **References Cited**

U.S. PATENT DOCUMENTS

712,765	A *	11/1902	Cole	24/20	TT
1,085,421	A *	1/1914	Hiller	248/74.3	
2,029,707	A *	2/1936	Dodelin	248/313	
D217,117	S *	4/1970	Gordon	D8/356	
3,765,636	A *	10/1973	Burrell et al.	248/313	
4,073,317	A *	2/1978	Ellis	138/147	
4,315,348	A *	2/1982	Oetiker	24/20	CW
D270,997	S *	10/1983	Kanao	D8/396	
4,492,004	A *	1/1985	Oetiker	24/20	R

4,609,171	A *	9/1986	Matsui	248/74.3	
4,750,242	A *	6/1988	Calmettes et al.	24/20	R
4,767,087	A *	8/1988	Combu	248/62	
4,783,029	A *	11/1988	Geppert et al.	248/74.1	
D304,676	S *	11/1989	Glynn	D8/395	
D313,392	S *	1/1991	Sachs	D13/133	
5,001,816	A *	3/1991	Oetiker	24/20	EE
5,098,054	A *	3/1992	Dyer	248/313	
D329,014	S *	9/1992	Sachs	D8/396	
D331,189	S *	11/1992	Daigle et al.	D8/396	
5,687,457	A *	11/1997	Hama	24/20	CW
D424,420	S *	5/2000	Kazale	D8/396	
6,131,245	A *	10/2000	Chi	24/20	R
6,209,827	B1 *	4/2001	Kawai	248/73	
D442,852	S *	5/2001	Gopalraja et al.	D8/395	
6,571,429	B2 *	6/2003	Yeh	24/16	PB
D531,493	S *	11/2006	Ho	D8/396	
D570,206	S *	6/2008	Jackson	D8/396	
D602,131	S *	10/2009	Morita	D23/265	
D624,397	S *	9/2010	Ball et al.	D8/396	
7,909,021	B2 *	3/2011	Fujii	123/470	
7,987,561	B2 *	8/2011	Zhang	24/20	R
8,015,672	B2 *	9/2011	Ito et al.	24/20	TT

* cited by examiner

Primary Examiner — Celia A. Murphy

Assistant Examiner — John Windmuller

(74) *Attorney, Agent, or Firm* — Christie, Parker & Hale, LLP.

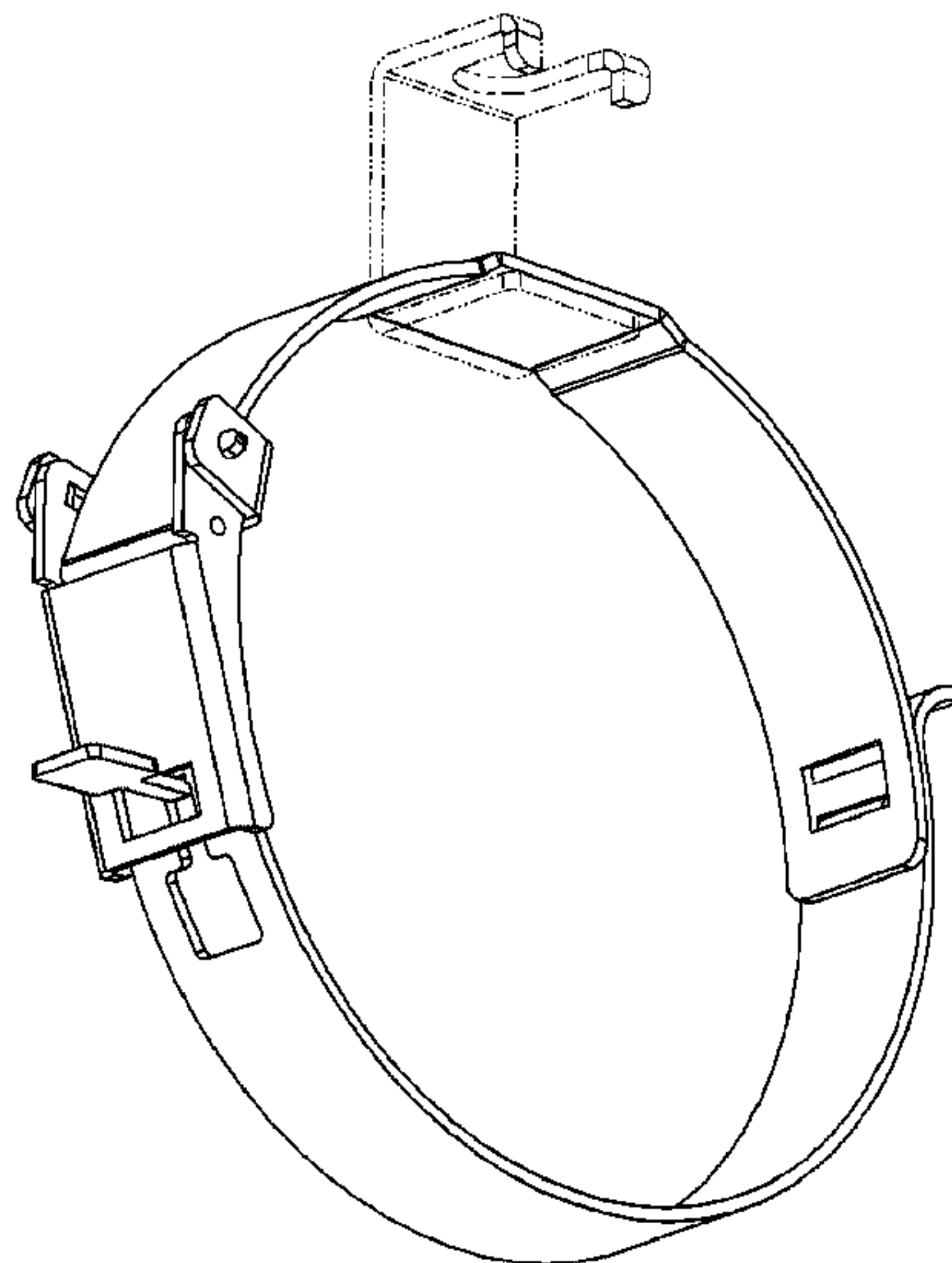
(57) **CLAIM**

The ornamental design for a pipe hanger clamp, as shown and described.

DESCRIPTION

FIG. 1 is a left side view of the pipe hanger clamp;
FIG. 2 is a front view thereof;
FIG. 3 is a rear view thereof;
FIG. 4 is a right side view thereof;
FIG. 5 is a front perspective view thereof; and,
FIG. 6 is a rear perspective view thereof.

1 Claim, 3 Drawing Sheets



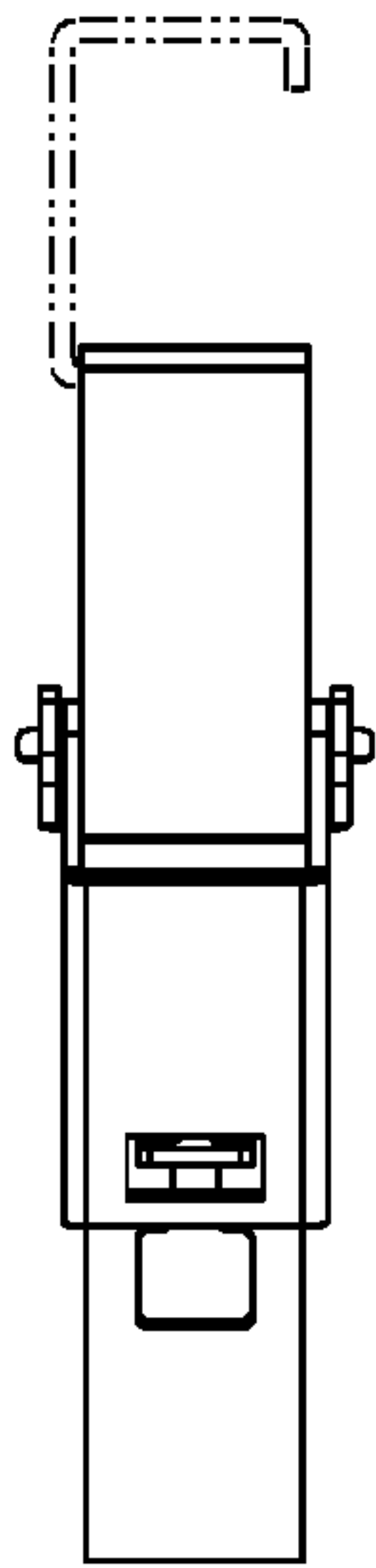


FIG. 1

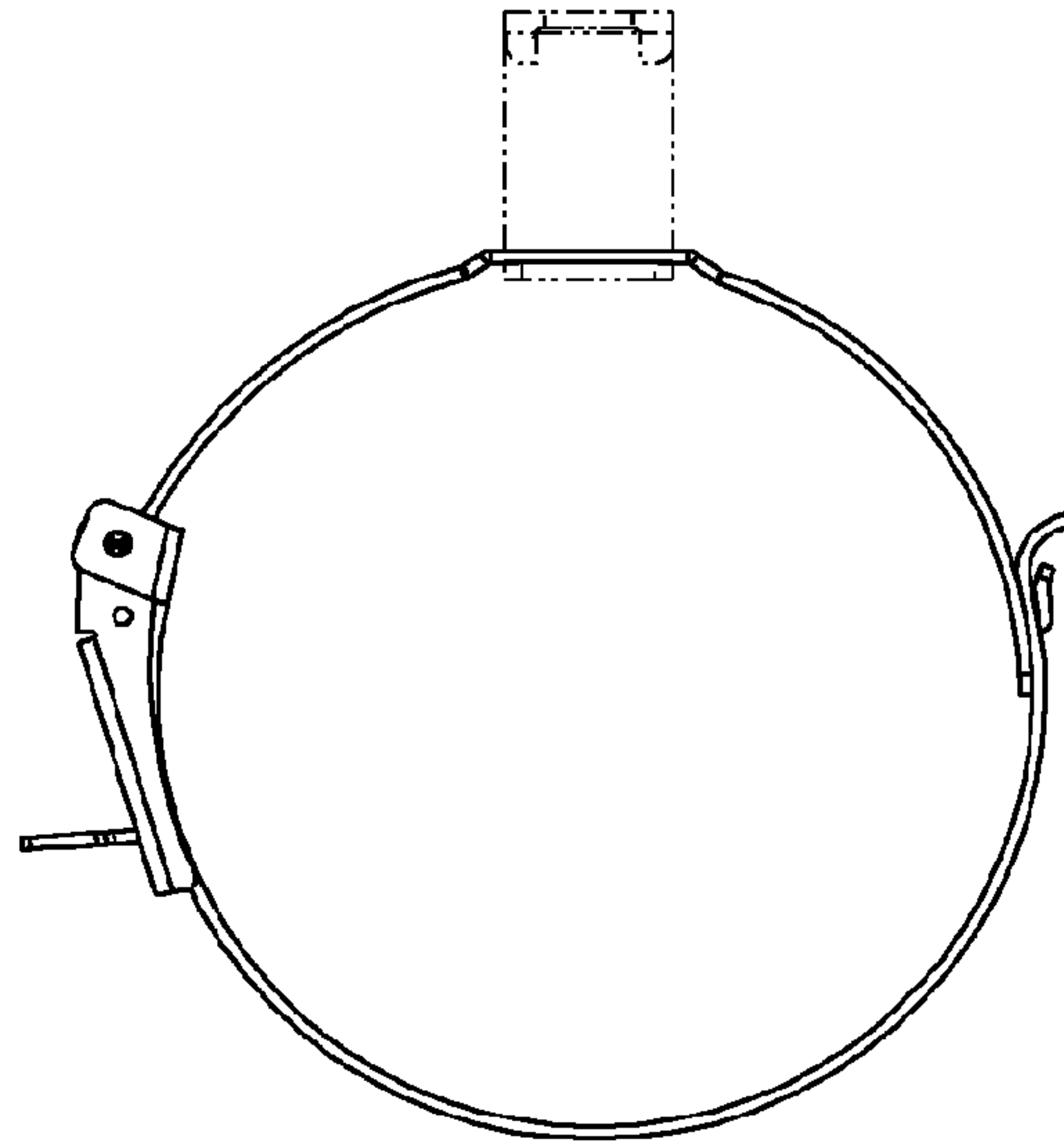


FIG. 2

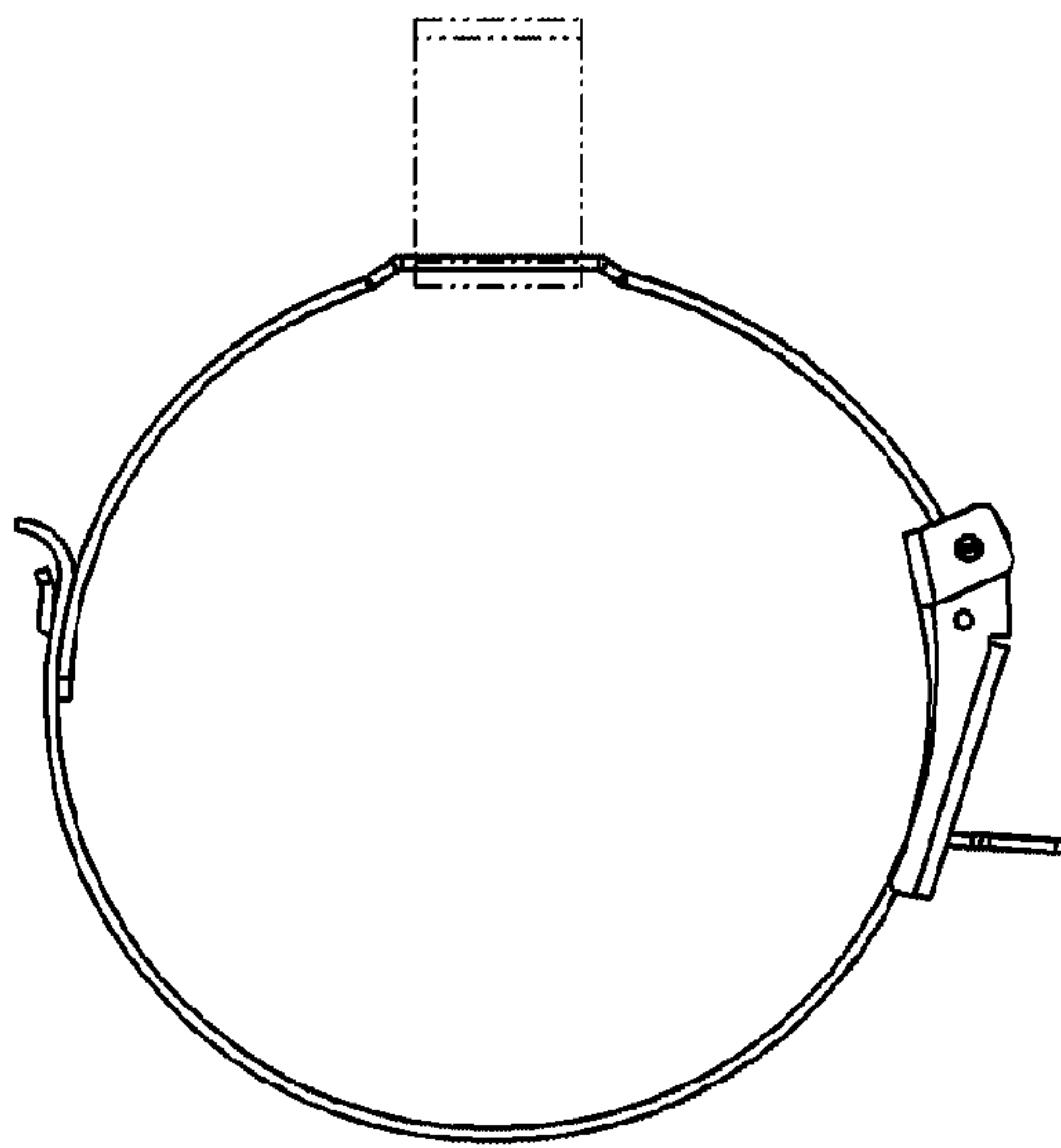


FIG. 3

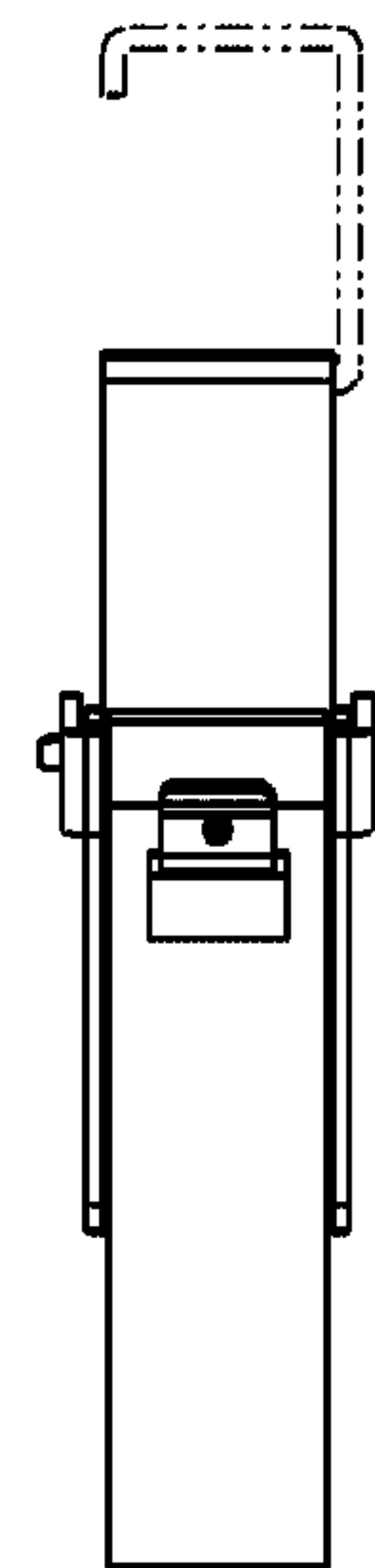


FIG. 4

FIG. 5

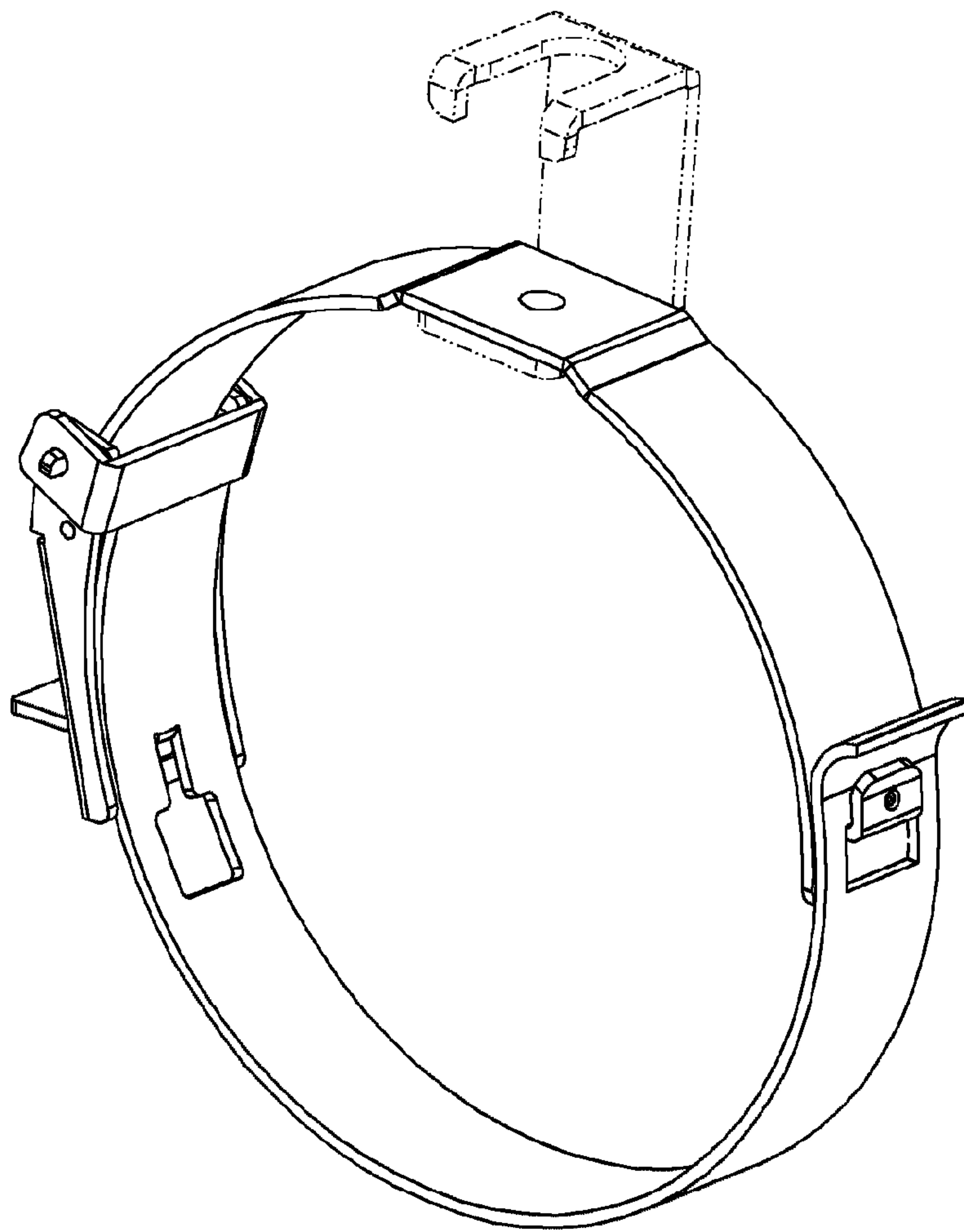


FIG. 6

