



US00D653102S

(12) **United States Design Patent**  
**Kalous**

(10) **Patent No.:** **US D653,102 S**  
(45) **Date of Patent:** **\*\* Jan. 31, 2012**

(54) **COUPLER**

(75) Inventor: **Scott Kalous**, Milwaukee, WI (US)

(73) Assignee: **Master Lock Company LLC**, Oak Creek, WI (US)

(\*\*) Term: **14 Years**

(21) Appl. No.: **29/365,818**

(22) Filed: **Jul. 15, 2010**

(51) **LOC (9) Cl.** ..... **08-08**

(52) **U.S. Cl.** ..... **D8/382**

(58) **Field of Classification Search** ..... D8/382,  
D8/349, 330, 343; 70/258, 431

See application file for complete search history.

D524,822 S \* 7/2006 Garvey et al. .... D15/5  
D541,135 S 4/2007 Kalous et al.  
D583,652 S \* 12/2008 Vermesi et al. .... D8/363  
7,469,919 B2 \* 12/2008 Kalous et al. .... 280/507  
D615,462 S \* 5/2010 Barrette ..... D12/162

\* cited by examiner

*Primary Examiner* — Holly Baynham

*Assistant Examiner* — Sheryl Lane

(74) *Attorney, Agent, or Firm* — Calfee, Halter & Griswold LLP

(57) **CLAIM**

I claim the ornamental design for a coupler, as shown and described.

**DESCRIPTION**

FIG. 1 is a front perspective view of a coupler showing the new design;

FIG. 2 is a right side view of the coupler of FIG. 1;

FIG. 3 is a left side view of the coupler of FIG. 1;

FIG. 4 is a top view of the coupler of FIG. 1;

FIG. 5 is a bottom view of the coupler of FIG. 1;

FIG. 6 is a front view of the coupler of FIG. 1; and,

FIG. 7 is a rear view of the coupler of FIG. 1.

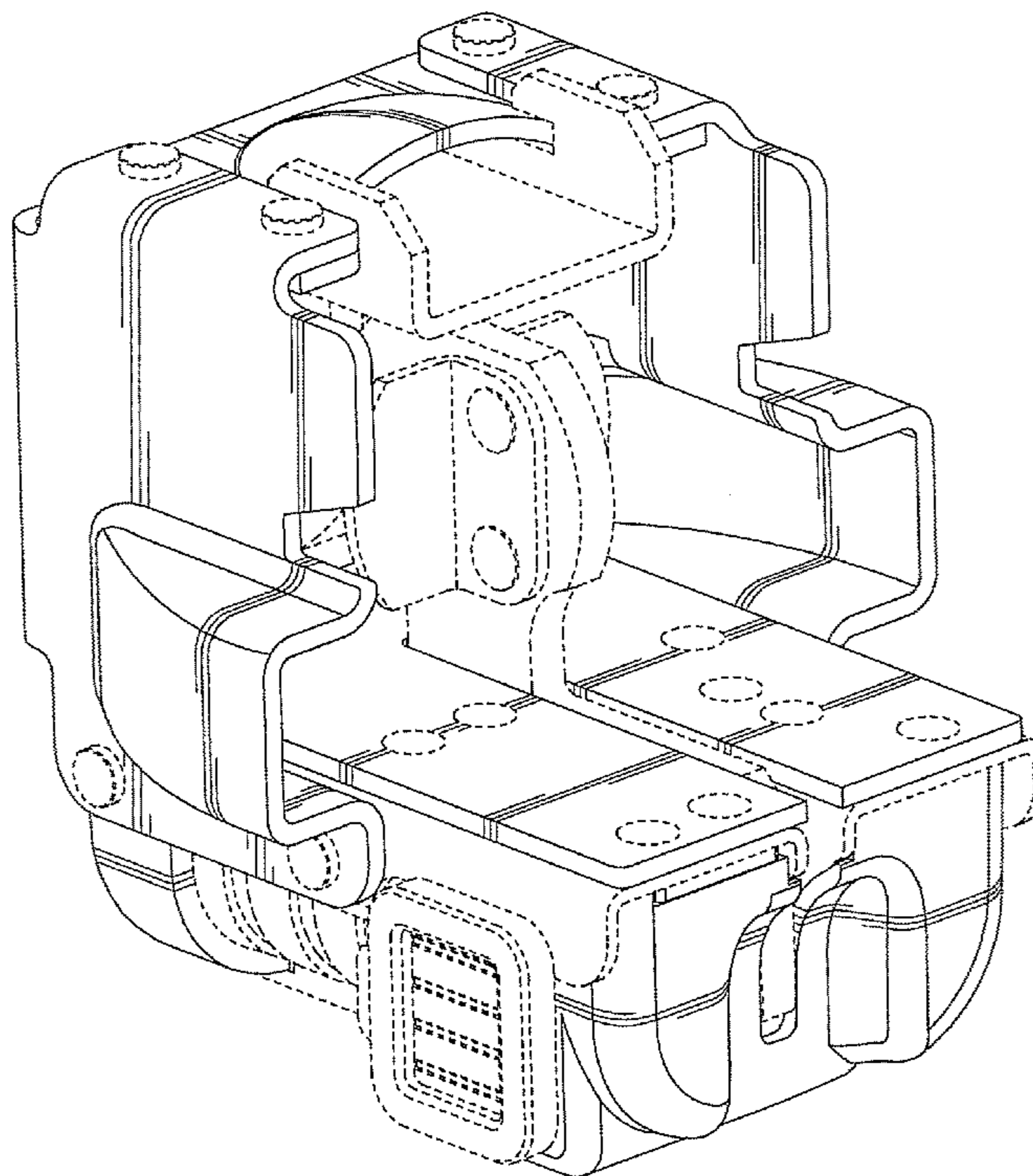
The portions of the Figures shown in phantom lines are for illustrative purpose only and form no part of the claimed design.

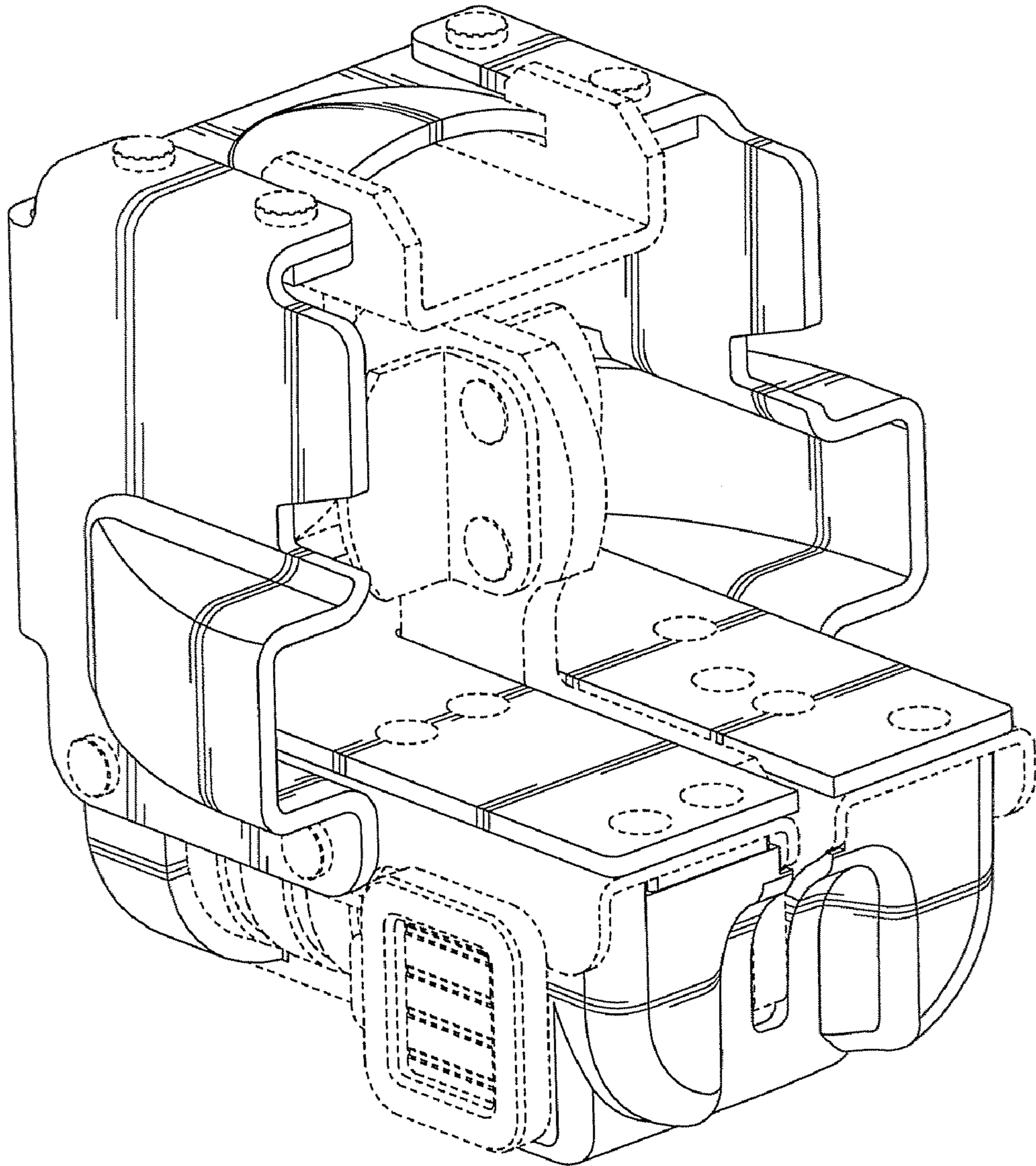
(56) **References Cited**

U.S. PATENT DOCUMENTS

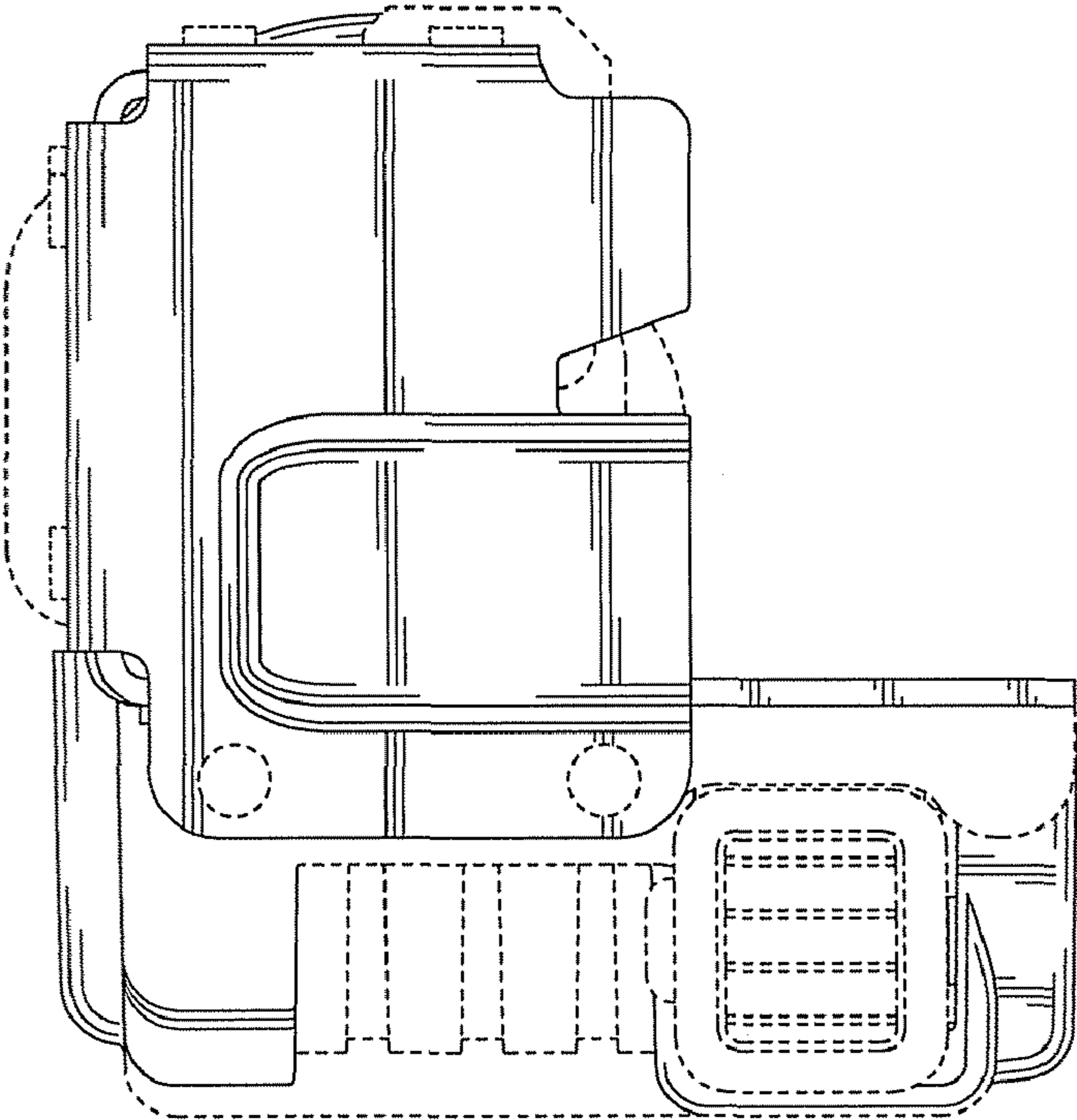
4,032,171 A	6/1977	Allen et al.	
5,087,064 A	2/1992	Guhlin	
D350,054 S *	8/1994	Richter	D8/331
5,794,961 A	8/1998	Niswanger	
D420,632 S	2/2000	Bills	
D450,231 S	11/2001	Niswanger	
6,393,874 B1	5/2002	Zapushek et al.	
D458,942 S *	6/2002	Balemi	D15/28
D459,970 S	7/2002	Niswanger	
6,412,214 B1	7/2002	Sebastiani	
6,722,686 B2	4/2004	Koy	
D505,854 S *	6/2005	Wyers	D8/343
D506,121 S	6/2005	Falconer et al.	

**1 Claim, 4 Drawing Sheets**

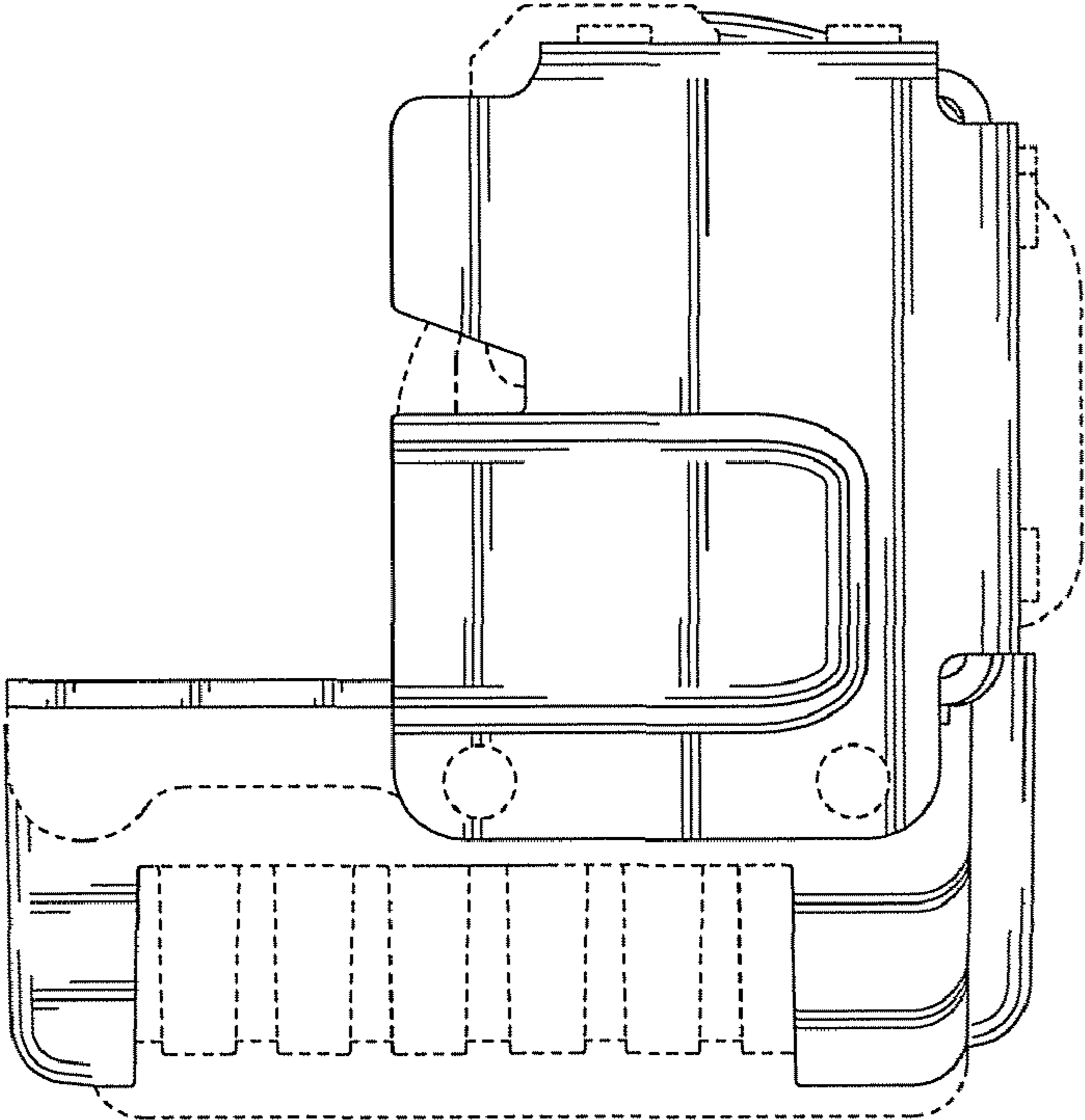




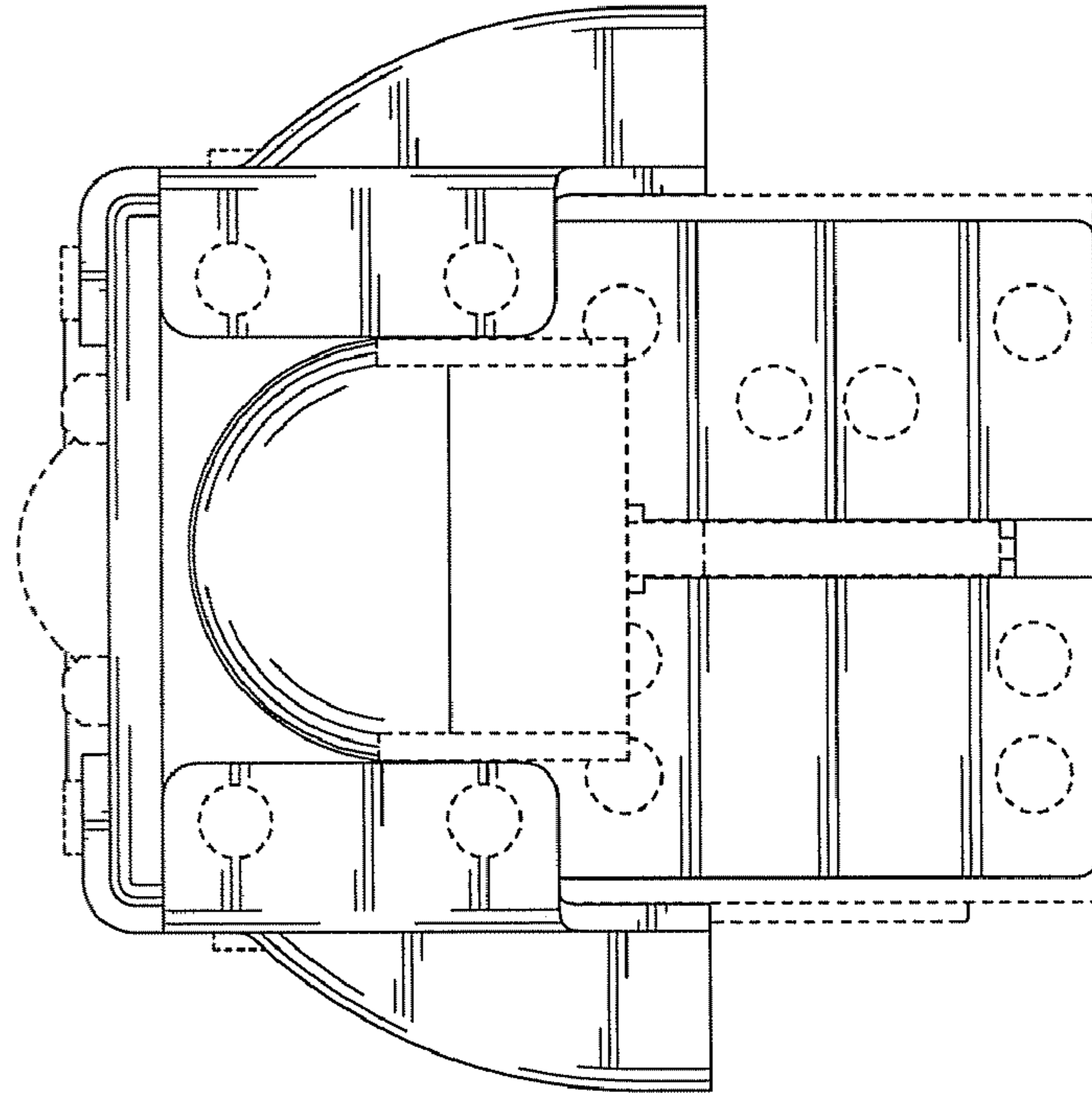
**FIG. 1**



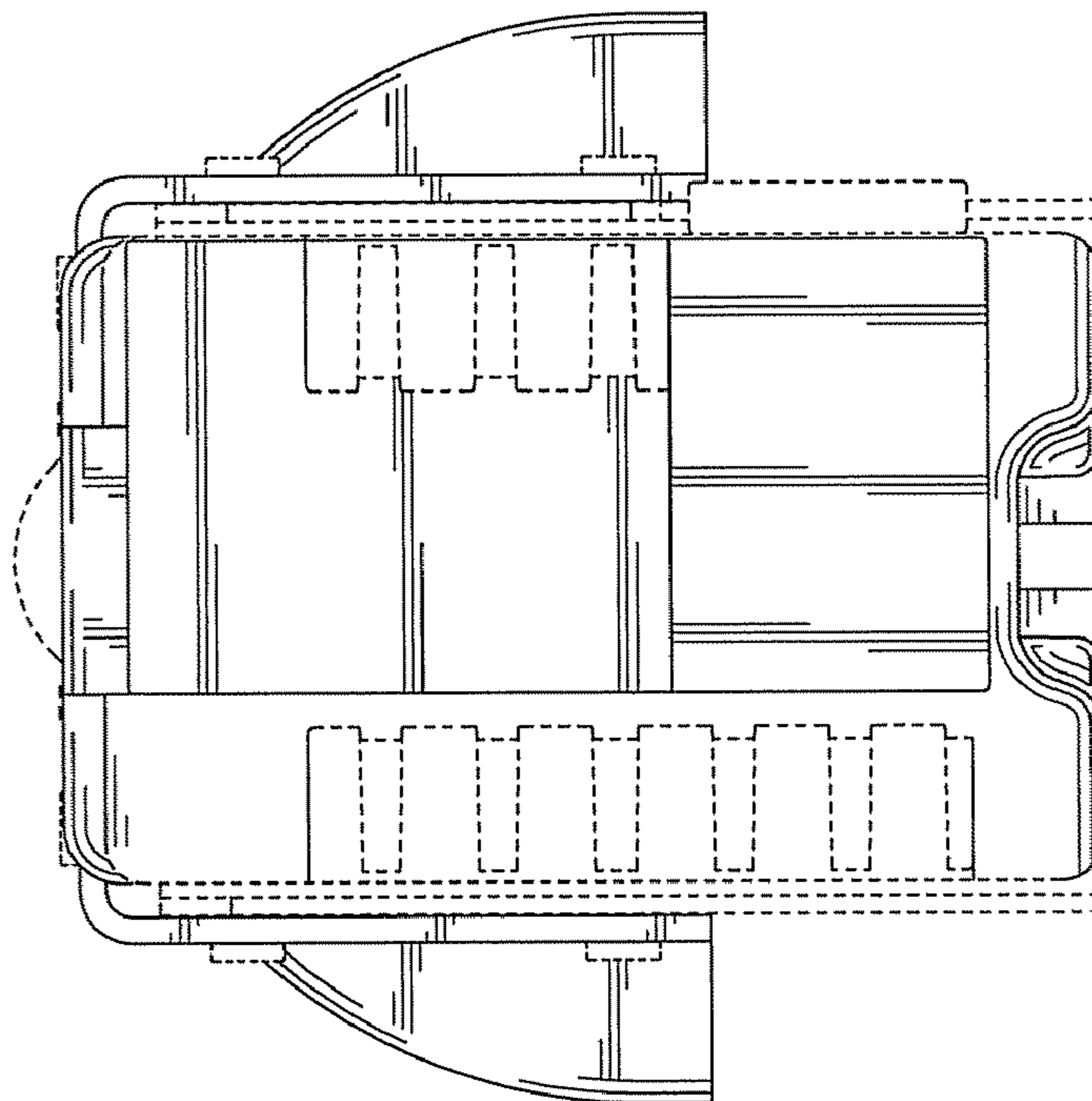
**FIG. 2**



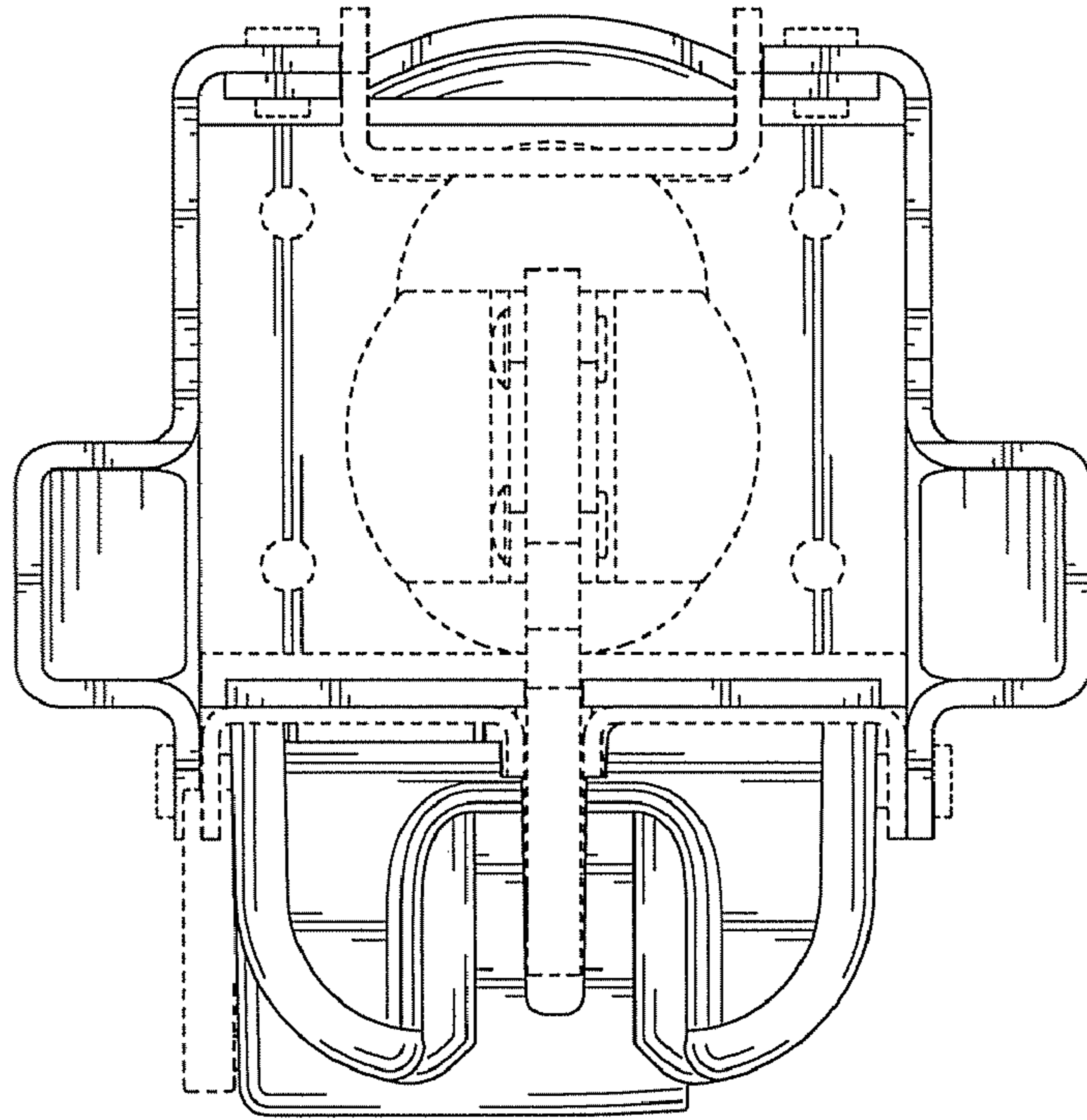
**FIG. 3**



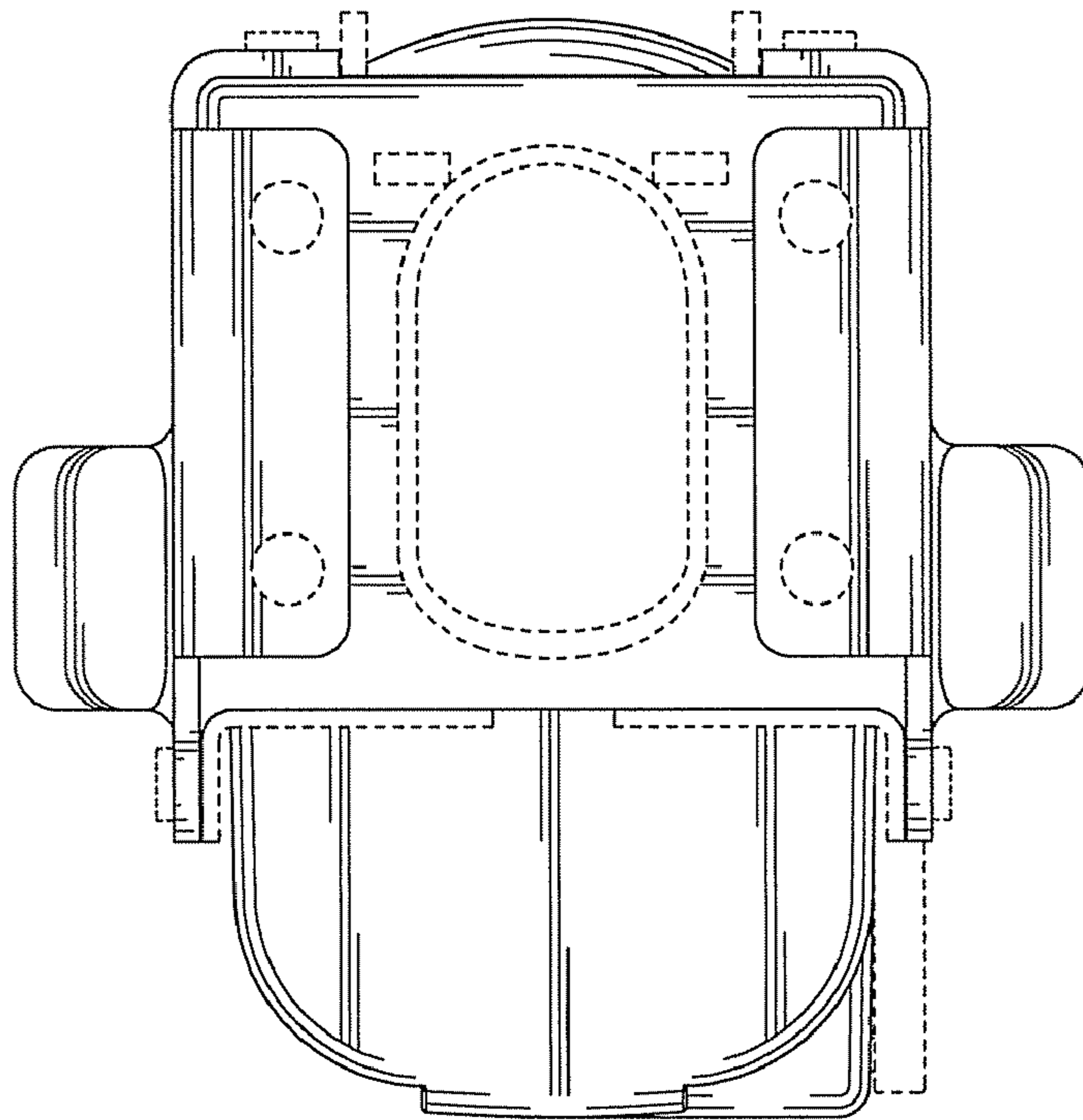
**FIG. 4**



**FIG. 5**



**FIG. 6**



**FIG. 7**