



US00D653101S

(12) **United States Design Patent**  
**Choi et al.**

(10) **Patent No.:** **US D653,101 S**  
(45) **Date of Patent:** **\*\* Jan. 31, 2012**

(54) **SINGLE STRUCTURAL MEMBER FOR SHELVING**

(76) Inventors: **Cheon Soon Choi**, Seoul (KR); **Jong Won Choi**, Yongin-si (KR)

(\*\*) Term: **14 Years**

(21) Appl. No.: **29/393,266**

(22) Filed: **Jun. 1, 2011**

(51) **LOC (9) Cl.** ..... **08-05**

(52) **U.S. Cl.** ..... **D8/381**

(58) **Field of Classification Search** ..... D8/394,  
D8/381, 380, 373, 371, 366, 354, 349; D6/574,  
D6/511, 479, 478, 474, 466, 463, 436, 399;  
D25/132, 131, 126, 123; D23/267; 248/68.1,  
248/65, 49, 243; 211/87.01, 191-193, 188,  
211/187, 134; 108/157.13, 152, 110, 108,  
108/105

See application file for complete search history.

(56) **References Cited**

**U.S. PATENT DOCUMENTS**

|           |     |         |                |        |
|-----------|-----|---------|----------------|--------|
| 4,549,665 | A   | 10/1985 | Smitley        |        |
| 5,350,074 | A   | 9/1994  | Rosenband      |        |
| 5,553,549 | A   | 9/1996  | Nilsson        |        |
| 5,632,389 | A   | 5/1997  | Rosenband      |        |
| D554,978  | S * | 11/2007 | Radke          | D8/354 |
| D596,017  | S * | 7/2009  | Sato           | D8/380 |
| D597,354  | S   | 8/2009  | Liss           |        |
| D626,817  | S * | 11/2010 | Donowho et al. | D8/356 |
| D627,214  | S * | 11/2010 | Kluge et al.   | D8/381 |

2005/0039645 A1 2/2005 Bulk et al.  
2008/0145197 A1 6/2008 Taylor et al.  
2008/0179267 A1 7/2008 Johnson  
2010/0200716 A1 8/2010 White, III

\* cited by examiner

*Primary Examiner* — Susan Bennett Hattan

(74) *Attorney, Agent, or Firm* — LRK Patent Law Firm

(57) **CLAIM**

The ornamental design for a single structural member for shelving, as shown and described.

**DESCRIPTION**

FIG. 1 is a perspective view of the single structural member for shelving of my new design;  
FIG. 2 is a front elevational view thereof;  
FIG. 3 is a rear elevational view thereof;  
FIG. 4 is a left side elevational view thereof, a right side elevational view thereof being a mirror image of the left side elevational view;  
FIG. 5 is a top plan view thereof;  
FIG. 6 is a bottom plan view thereof; and,  
FIG. 7 is a perspective view of a partial rack assembly, seen from an inner side thereof, showing a corner coupling made by vertical and horizontal structural members, the elements shown in evenly spaced broken lines depicting environment only and forming no part of the claimed design.  
The alternate long and two short dash lines shown in FIGS. 1-3 and 5-7 indicate that there is no particular length claimed.

**1 Claim, 5 Drawing Sheets**

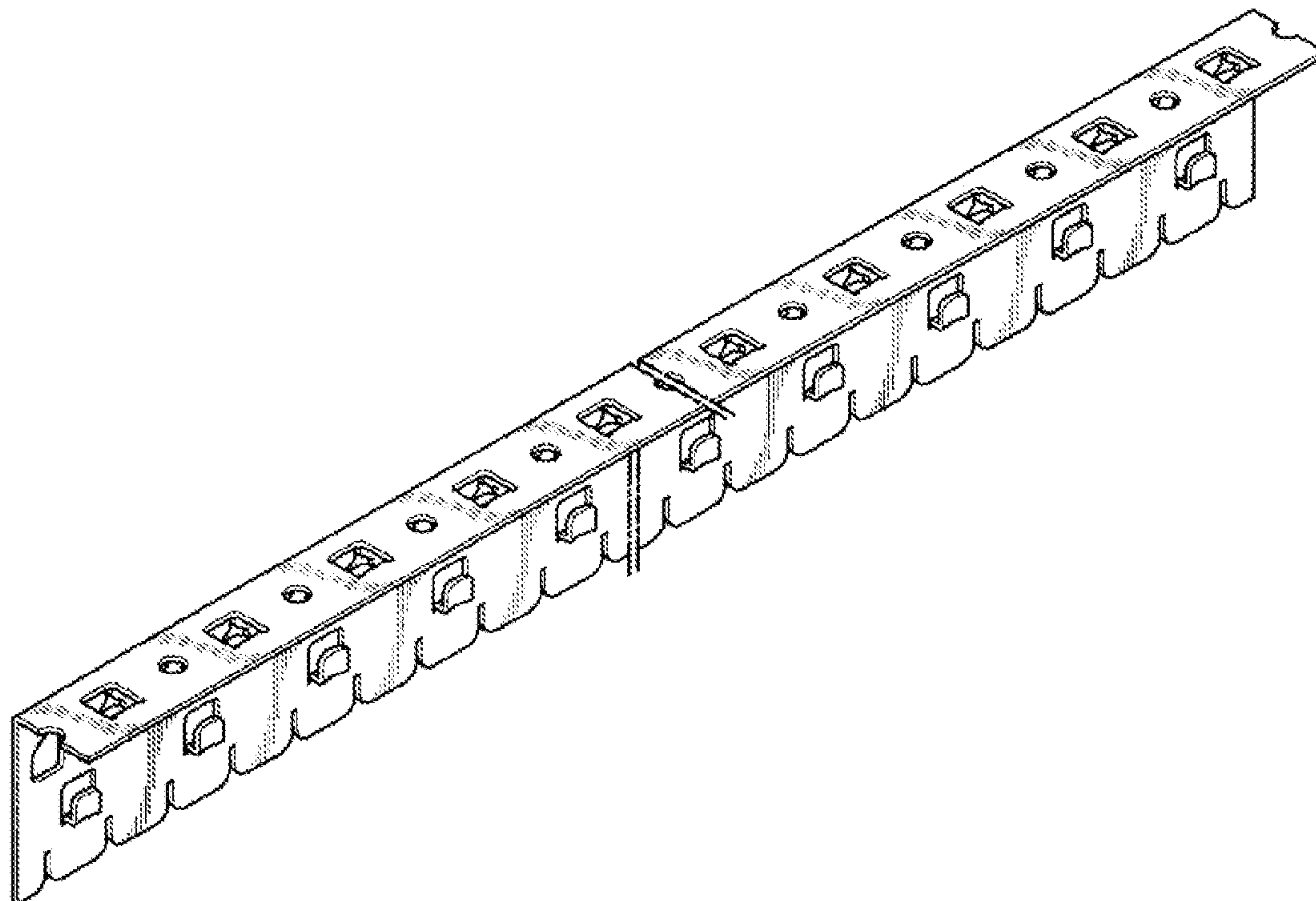


FIG. 1

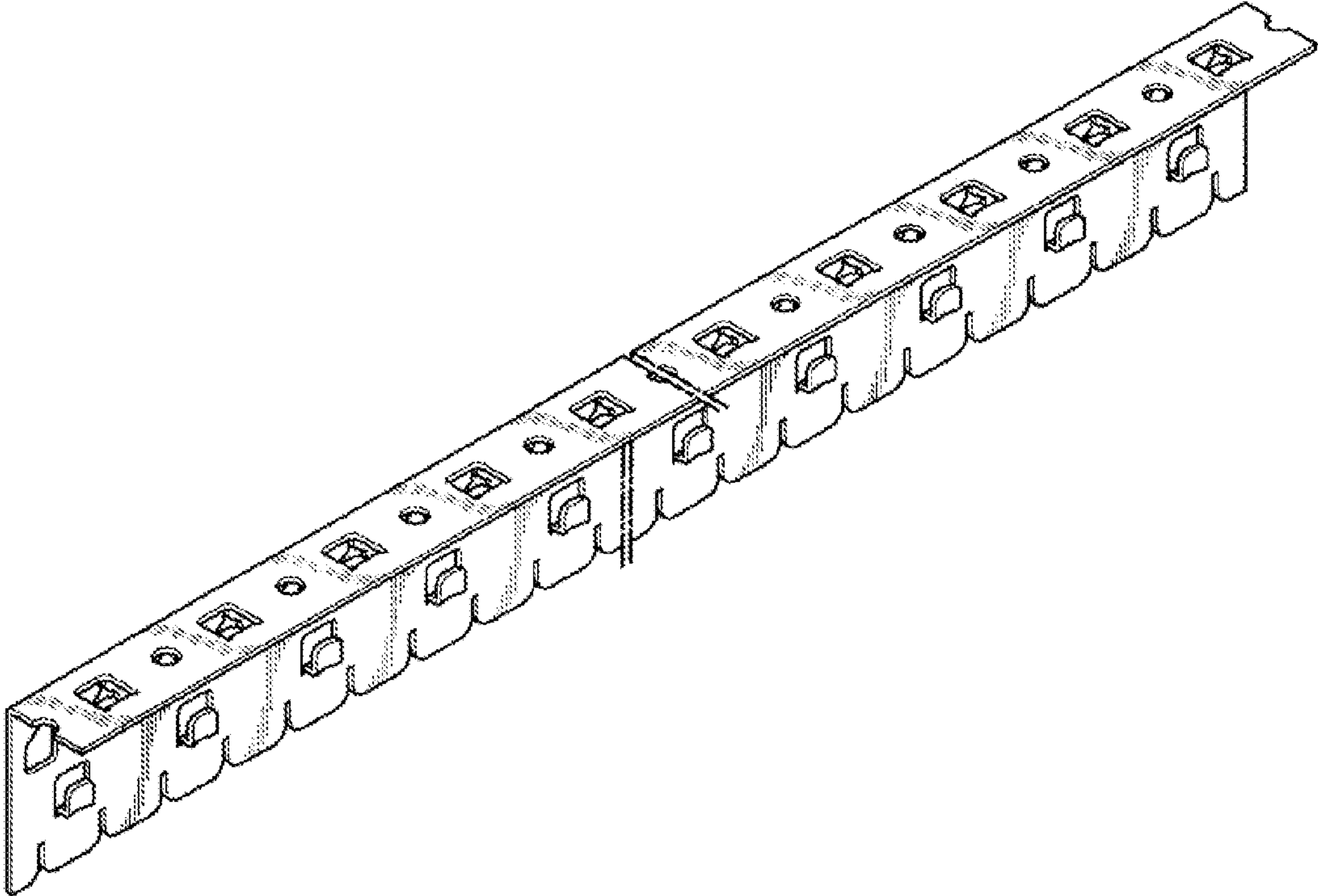


FIG. 2

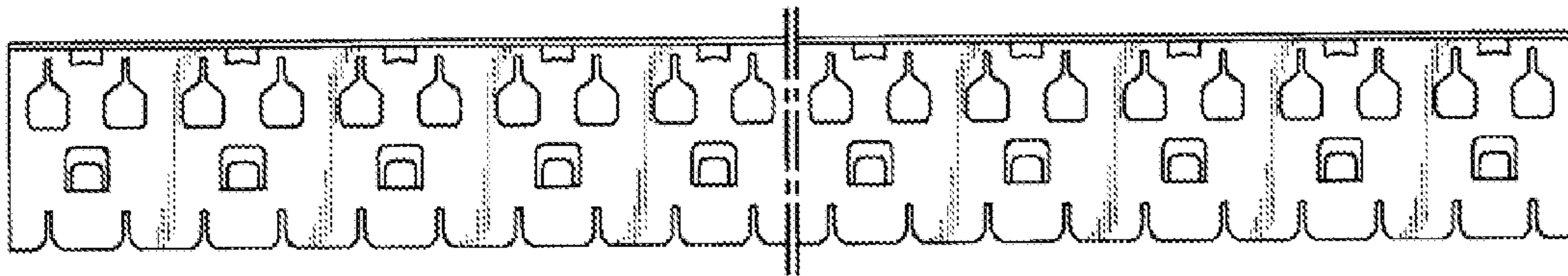


FIG. 3

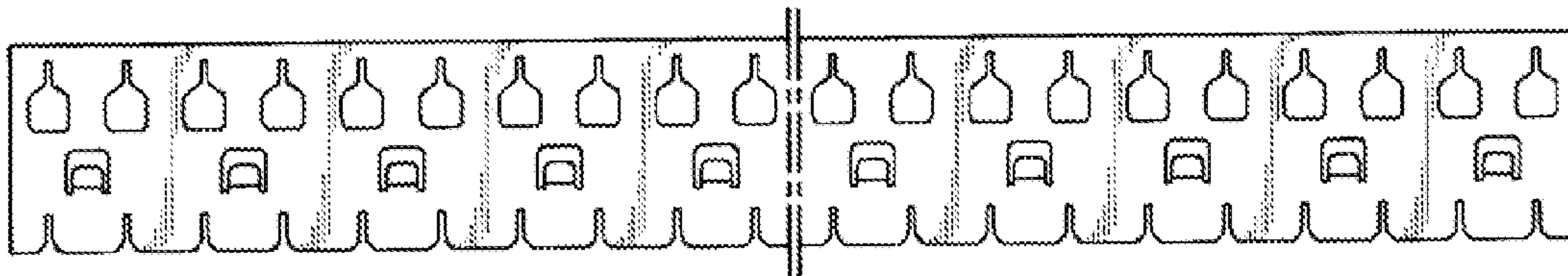


FIG. 4

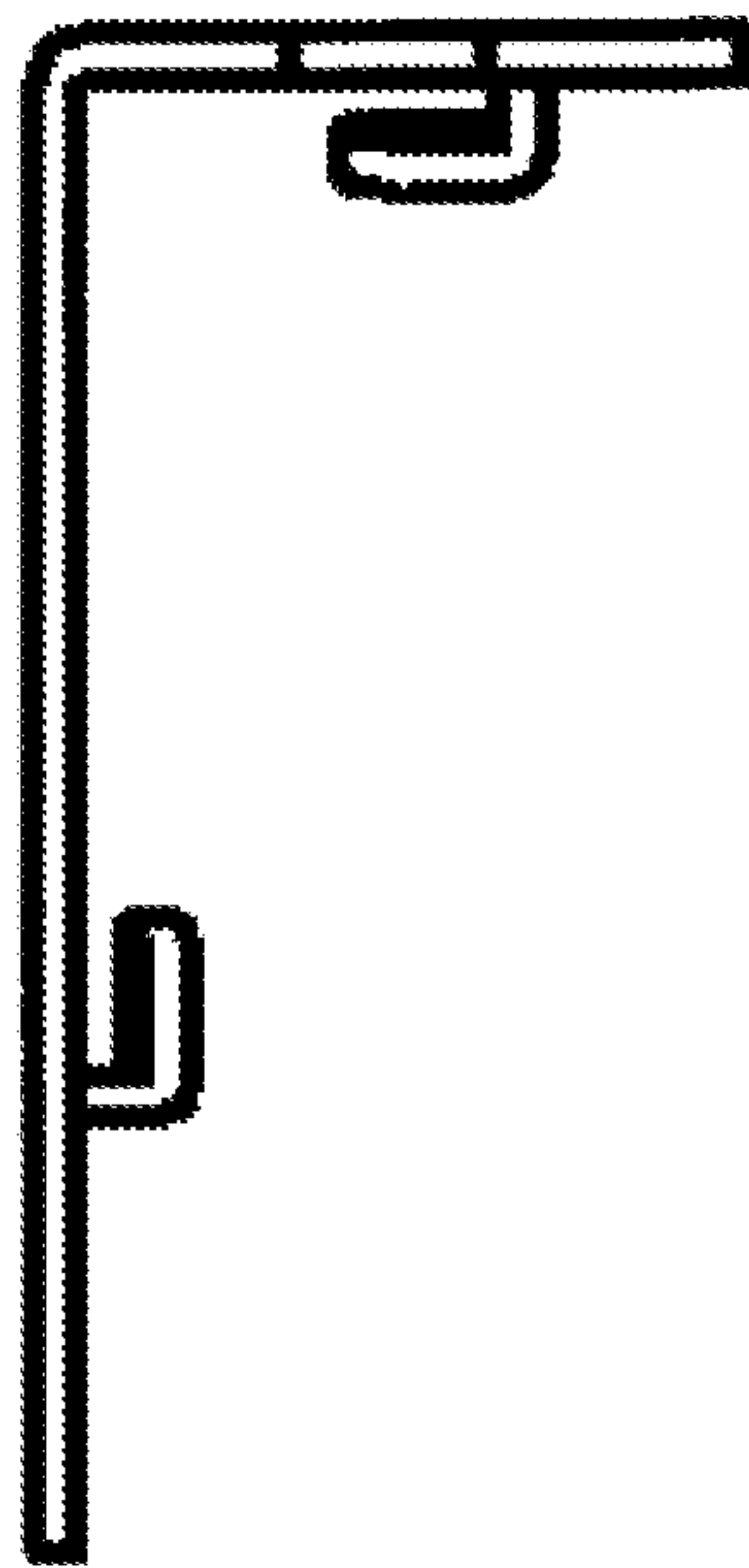


FIG. 5

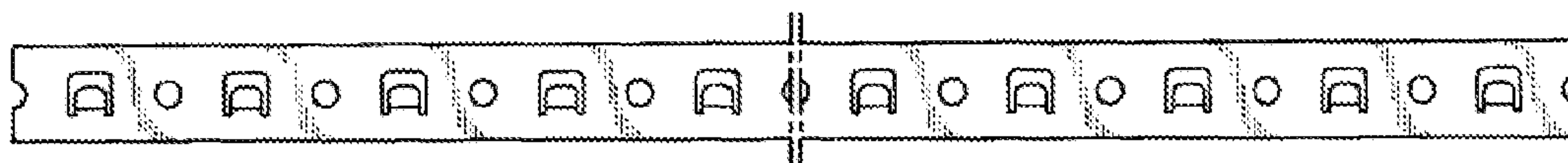


FIG. 6

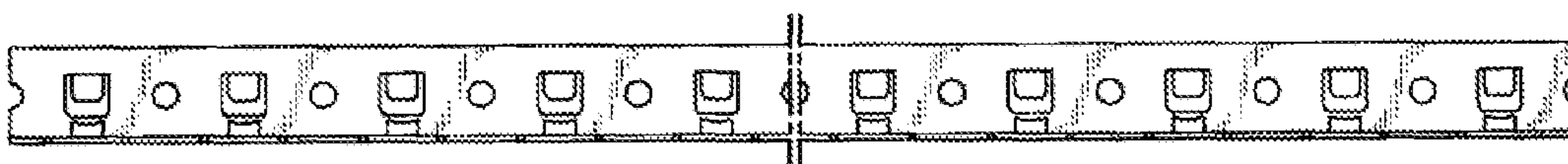




FIG. 7

