



US00D653100S

(12) **United States Design Patent**
Chen

(10) **Patent No.:** **US D653,100 S**

(45) **Date of Patent:** **** Jan. 31, 2012**

(54) **CABLE ORGANIZER**

(76) Inventor: **Kevin F. Chen**, Anaheim, CA (US)

(**) Term: **14 Years**

(21) Appl. No.: **29/388,496**

(22) Filed: **Mar. 29, 2011**

(51) **LOC (9) Cl.** **08-05**

(52) **U.S. Cl.** **D8/356**

(58) **Field of Classification Search** D8/356,
D8/354, 349, 330, 331, 383; 439/501; 70/421,
70/371, 369, 208; D22/108; D11/216
See application file for complete search history.

(56) **References Cited**

U.S. PATENT DOCUMENTS

835,406	A *	11/1906	Dawson	403/272
3,038,558	A *	6/1962	Plummer	184/16
3,745,230	A *	7/1973	Kelly	174/103
D262,617	S *	1/1982	Shumate	D13/156
4,775,121	A *	10/1988	Carty	248/68.1
D385,476	S *	10/1997	Hill	D8/356
D578,966	S *	10/2008	Grimm	D13/153
D628,050	S *	11/2010	Petersen et al.	D8/356
D638,690	S *	5/2011	Hoek	D8/356
D644,501	S *	9/2011	Chen	D8/356

2009/0218451	A1 *	9/2009	Lundborg	248/56
2009/0324188	A1 *	12/2009	Berglund et al.	385/135
2010/0132979	A1 *	6/2010	Chen	174/135

* cited by examiner

Primary Examiner — Cynthia Underwood

(74) *Attorney, Agent, or Firm* — QuickPatents, Inc.; Kevin Prince

(57) **CLAIM**

I claim the ornamental design for a cable organizer, as shown and described.

DESCRIPTION

FIG. 1 is a perspective view of a cable organizer, showing my new design;

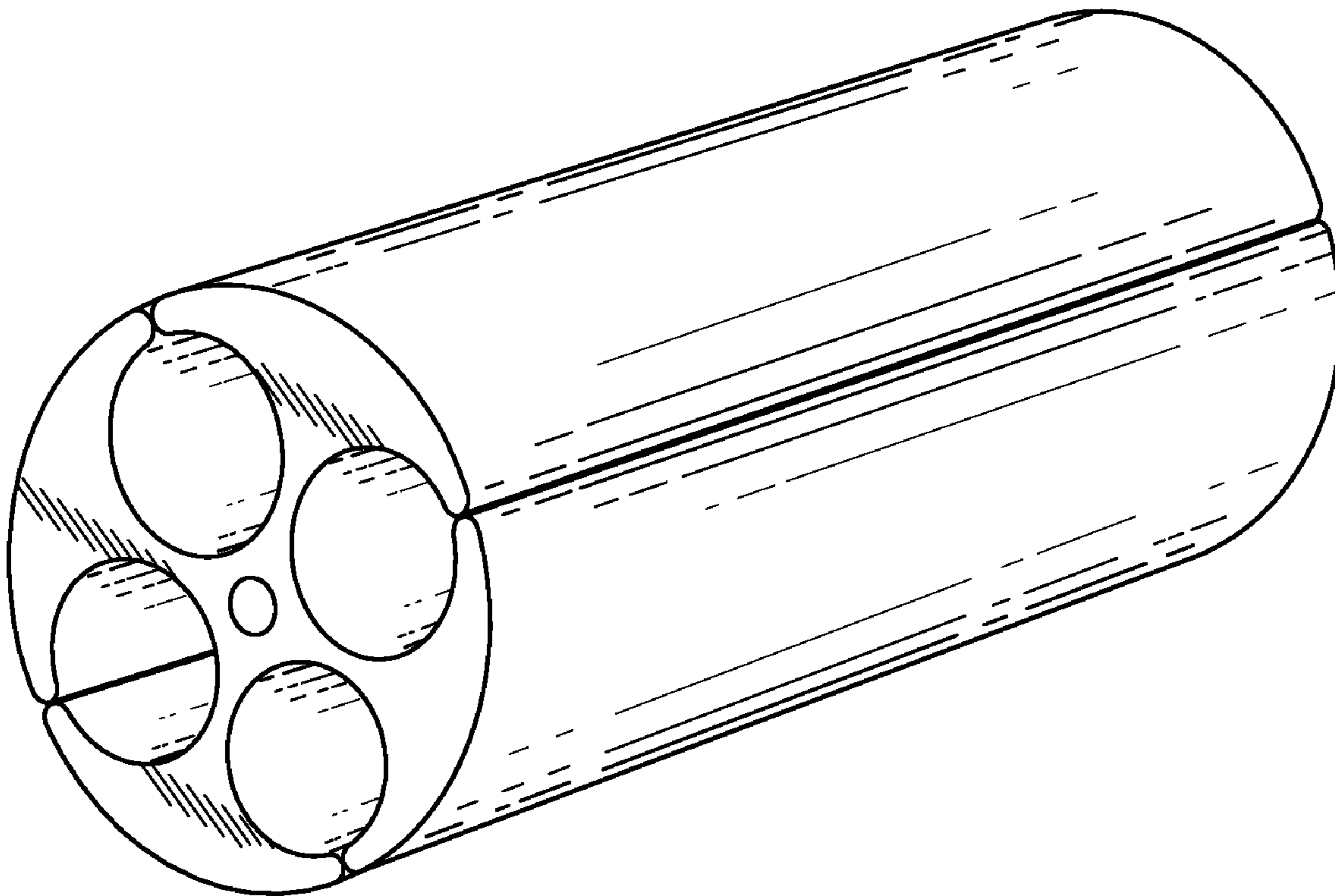
FIG. 2 is a perspective view thereof;

FIG. 3 is a front elevational view thereof, the rear elevational view being a mirror image thereof; and,

FIG. 4 is a left-side elevational view thereof, the right-side elevational view, top plan view, and bottom plan view all being a mirror image thereof.

The broken lines showing a computer display with cords, and indicia on the outer surface of the design in FIG. 1 depict environmental matter and form no part of the claimed design.

1 Claim, 2 Drawing Sheets



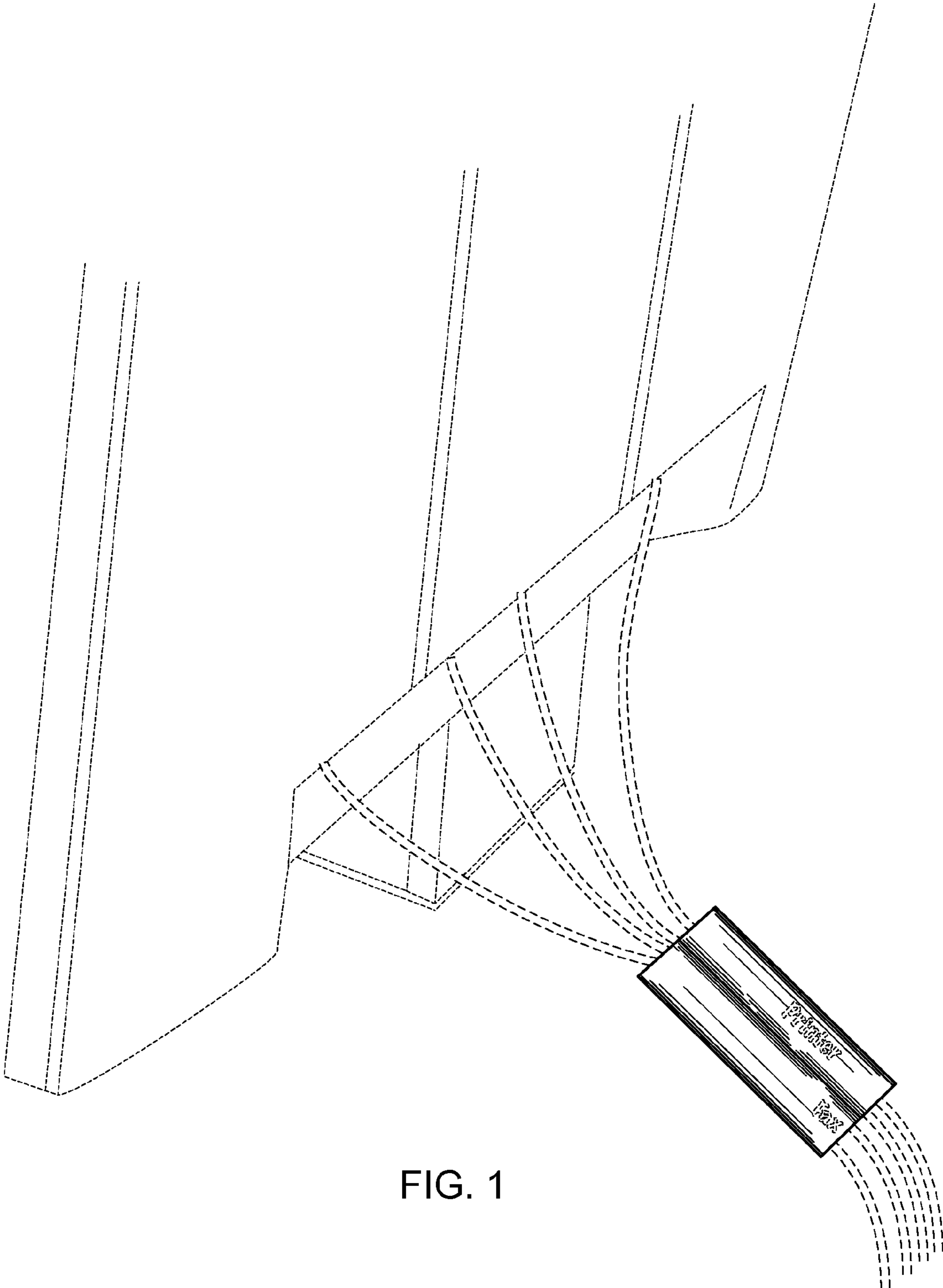


FIG. 1

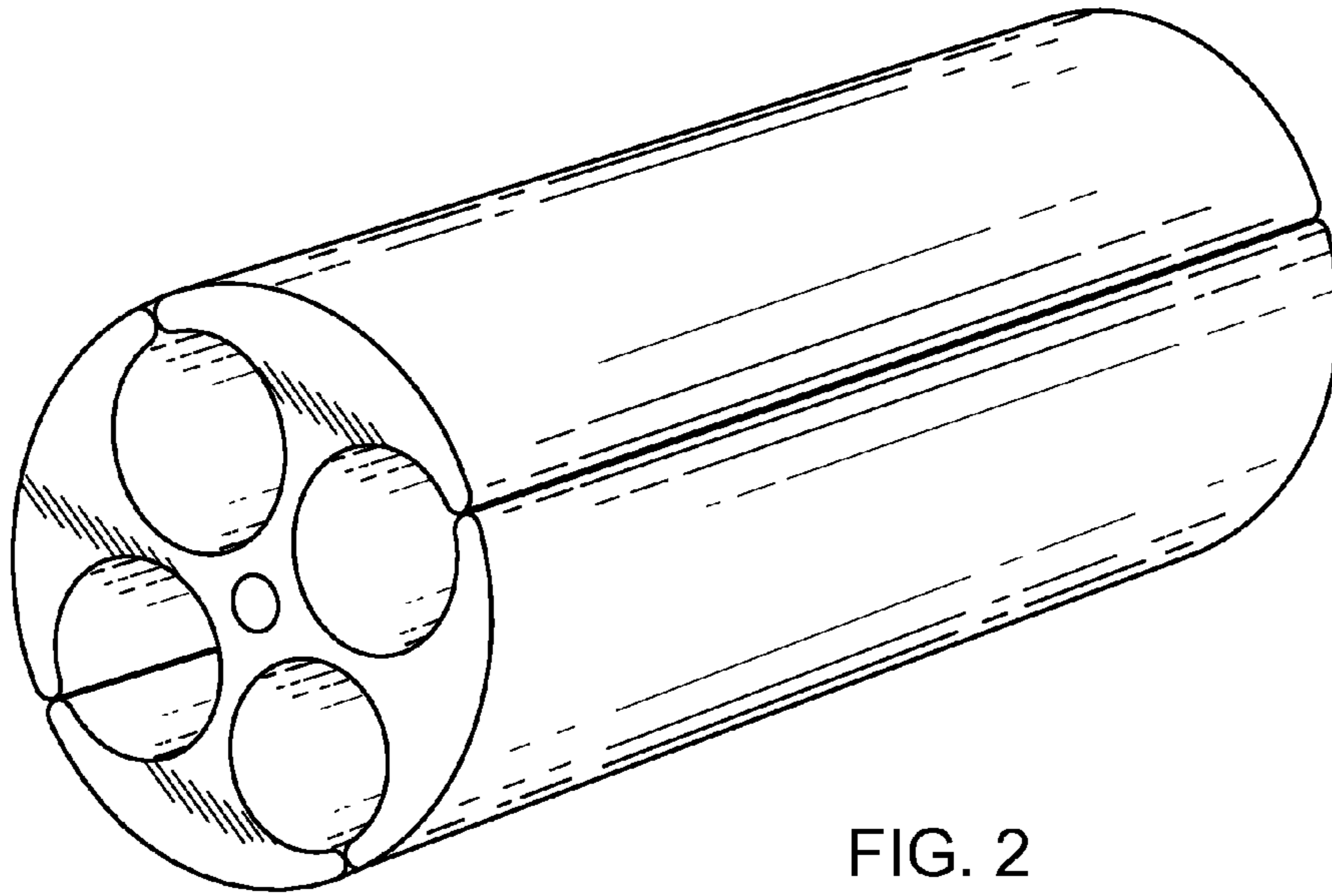


FIG. 2

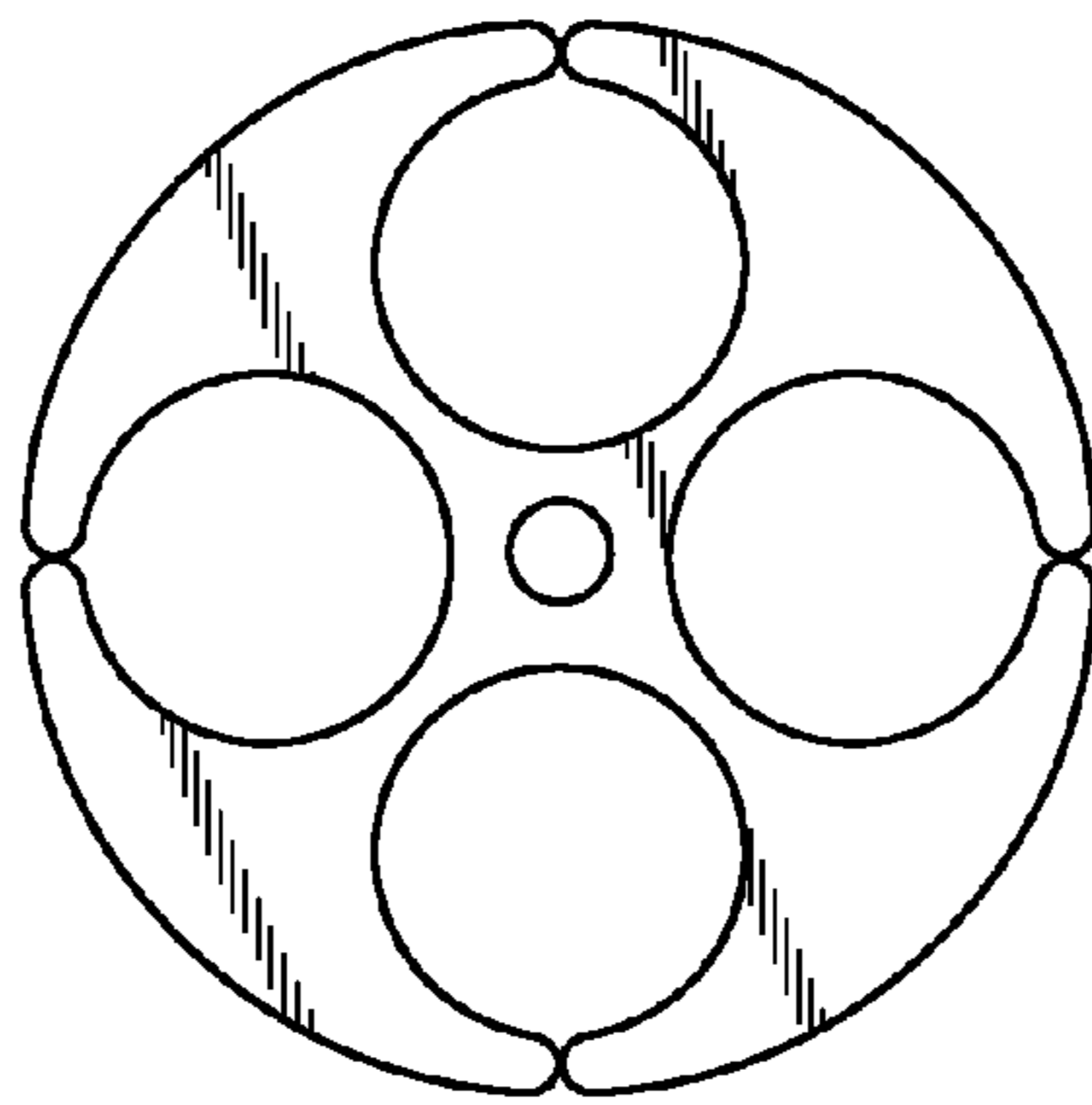


FIG. 3

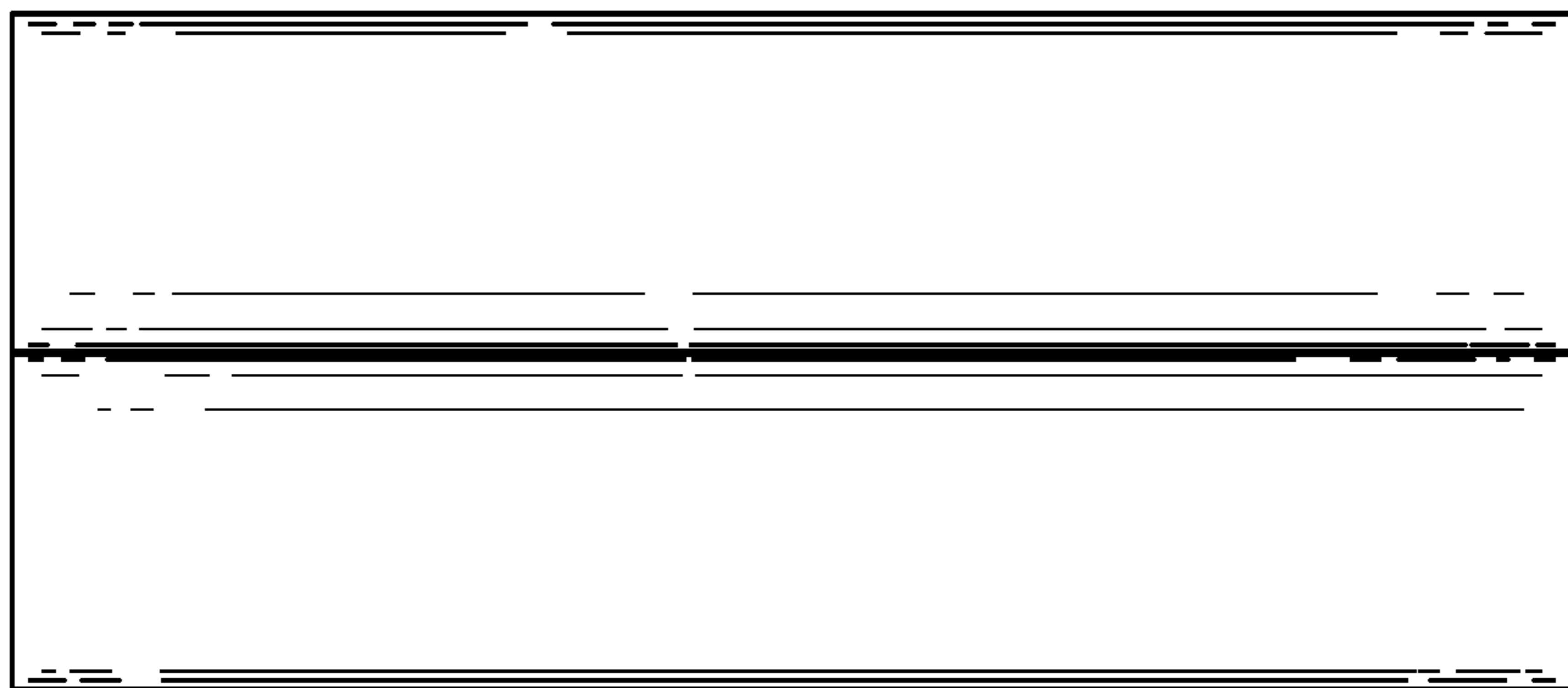


FIG. 4