



US00D653098S

(12) **United States Design Patent**
Mickelson et al.

(10) **Patent No.:** **US D653,098 S**
(45) **Date of Patent:** **** Jan. 31, 2012**

(54) **DOOR LATCH**

(75) Inventors: **Eric Neil Mickelson**, Rancho Santa Margarita, CA (US); **Jeffrey Walter Hontz**, Rural Hall, NC (US)

(73) Assignee: **BE Aerospace, Inc.**, Wellington, FL (US)

(**) Term: **14 Years**

(21) Appl. No.: **29/361,763**

(22) Filed: **May 14, 2010**

(51) **LOC (9) Cl.** **08-07**

(52) **U.S. Cl.** **D8/331**

(58) **Field of Classification Search** D8/330,
D8/331, 335, 339, 302, 343; 70/141, 208,
70/448, 206, 210; 292/336.3, 169, 358, 359,
292/170, 175, 165, 224, 140-145, 240-242,
292/DIG. 14, DIG. 30, DIG. 31, DIG. 4,
292/173, DIG. 51, 337

See application file for complete search history.

(56) **References Cited**

U.S. PATENT DOCUMENTS

2,746,784	A *	5/1956	Holritz	292/175
2,840,407	A *	6/1958	Sellon, Jr.	292/169
2,987,908	A *	6/1961	Pelcin	70/483
D230,132	S *	1/1974	Pastava, Jr.	D8/341

D465,400	S *	11/2002	Moore et al.	D8/331
D536,949	S *	2/2007	Weinerman et al.	D8/331
7,210,421	B1 *	5/2007	Pendergraph	114/78
D545,667	S *	7/2007	Weinerman et al.	D8/331
7,377,229	B2 *	5/2008	Blazek et al.	119/411
D570,669	S *	6/2008	Le et al.	D8/331
D577,277	S *	9/2008	Samhammer et al.	D8/331
D638,276	S *	5/2011	Tonizzo et al.	D8/331
D644,500	S *	9/2011	Baldwin	D8/331

* cited by examiner

Primary Examiner — Prabhakar Deshmukh

(74) *Attorney, Agent, or Firm* — Shumaker, Loop & Kendrick, LP

(57) **CLAIM**

The ornamental design for a door latch, as shown and described.

DESCRIPTION

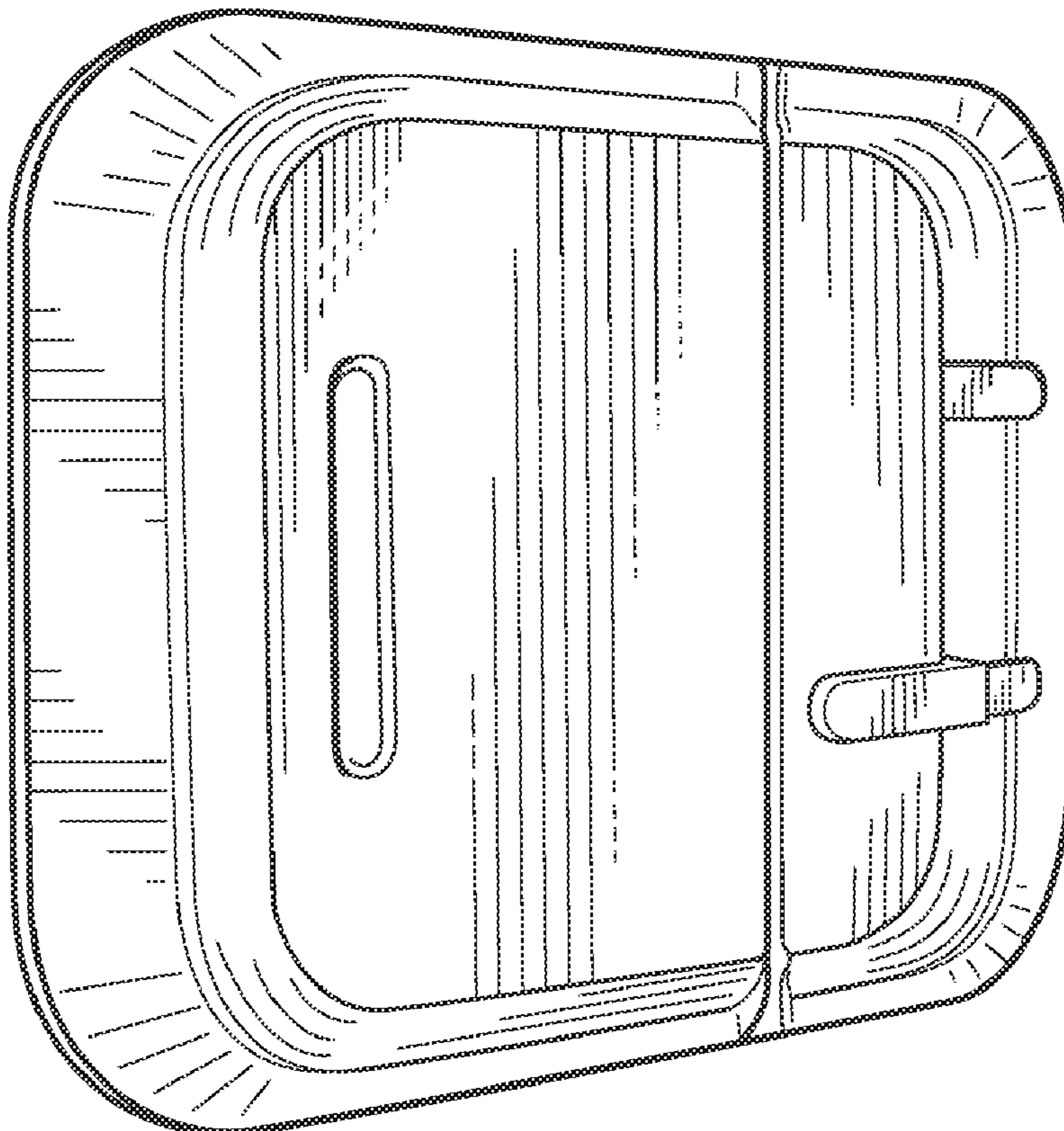
FIG. 1 is a front perspective view of a door latch showing the new design;

FIG. 2 is a left-side, three-quarter perspective view thereof; and,

FIG. 3 is a right-side, three-quarter perspective view thereof.

The broken line showing of the associated appliance is included for the purpose of illustrating environmental structure and forms no part of the claimed design.

1 Claim, 3 Drawing Sheets



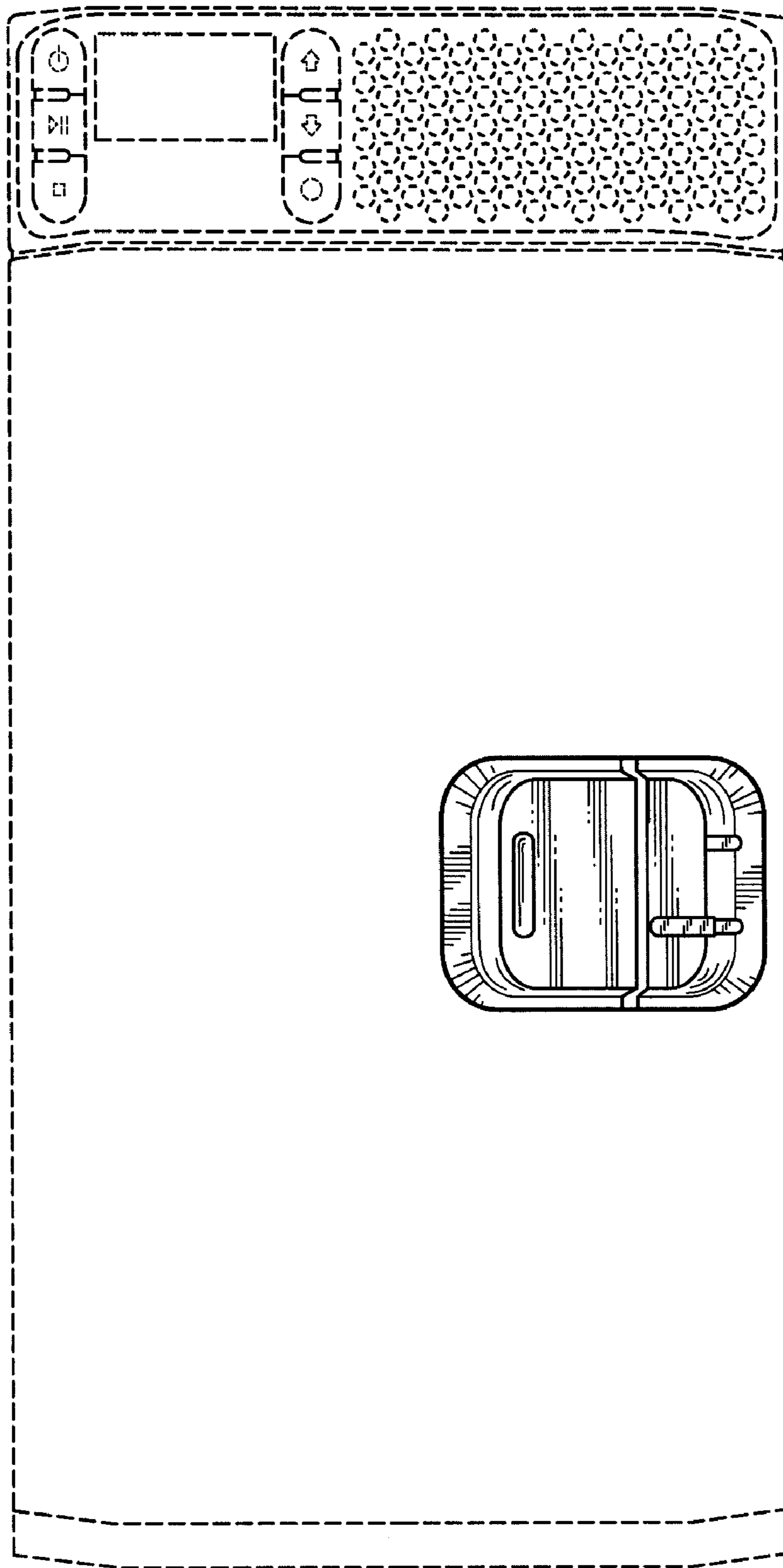


Fig. 1

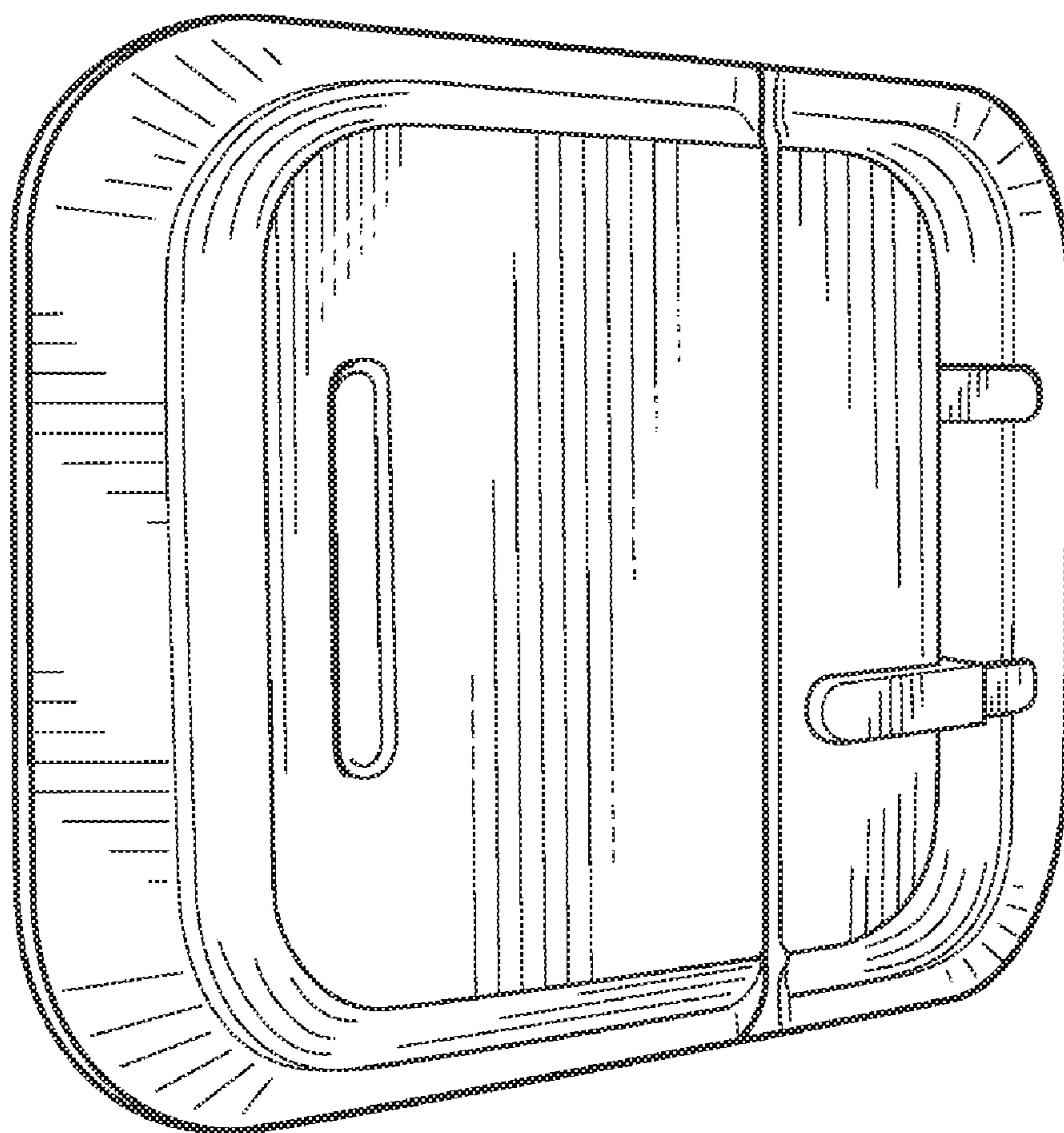


Fig. 2

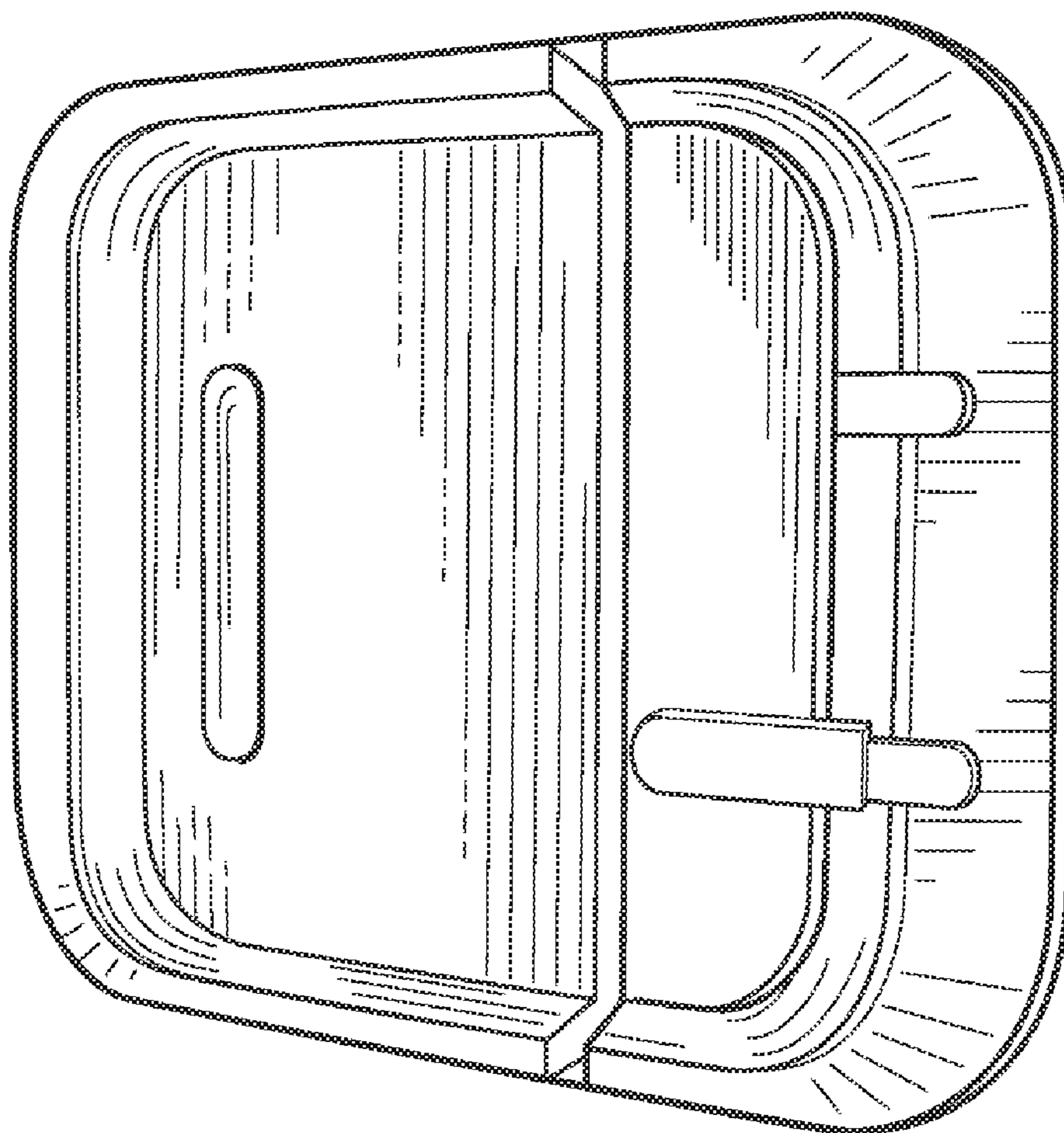


Fig. 3