



US00D653097S

(12) **United States Design Patent**  
**Hatano**

(10) **Patent No.:** **US D653,097 S**  
(45) **Date of Patent:** **\*\* Jan. 31, 2012**

(54) **FITTING HINGE**

(75) Inventor: **Yuuichi Hatano**, Tokyo (JP)

(73) Assignee: **Sugatsune Kogyo Co., Ltd.**, Tokyo (JP)

(\*\*) Term: **14 Years**

(21) Appl. No.: **29/347,777**

(22) Filed: **Jun. 2, 2010**

(30) **Foreign Application Priority Data**

Dec. 25, 2009 (JP) ..... 2009-030344

(51) **LOC (9) Cl.** ..... **08-06**

(52) **U.S. Cl.** ..... **D8/328**

(58) **Field of Classification Search** ..... D8/323,  
D8/328, 327, 324, 330, 325, 331, 336, 353,  
D8/338, 356; D16/334; 16/16, 309, 235,  
16/275, 244, 379, 390, 430, 241, 238, 245,  
16/236, 243, 242, 385, 225, 250, 248, 381,  
16/337, 329, 340; D23/303; D3/905; 4/236,  
4/240; 49/381; 24/16 PB, 545

See application file for complete search history.

(56) **References Cited**

**U.S. PATENT DOCUMENTS**

1,620,701	A *	3/1927	Teich	16/339
4,490,884	A *	1/1985	Vickers	16/338
5,713,105	A *	2/1998	Toomey	16/245
5,799,370	A *	9/1998	Davidian et al.	16/236
6,212,734	B1 *	4/2001	Commons	16/244
D532,280	S *	11/2006	Huml	D8/327

7,162,774	B1 *	1/2007	Von Resch et al.	16/236
7,500,286	B2 *	3/2009	Soviknes	16/243
D605,926	S *	12/2009	Yamaguchi	D8/328
7,676,887	B2 *	3/2010	Chung	16/236
7,694,388	B2 *	4/2010	Campbell et al.	16/239
7,698,783	B2 *	4/2010	Heid	16/242
D622,576	S *	8/2010	Farkas et al.	D8/328
D625,576	S *	10/2010	Oshima	D8/329
D632,540	S *	2/2011	Oshima	D8/329
D632,945	S *	2/2011	Oshima	D8/329
D635,434	S *	4/2011	Oshima	D8/329
2004/0128794	A1 *	7/2004	Chung	16/236

\* cited by examiner

*Primary Examiner* — Cynthia Underwood

(74) *Attorney, Agent, or Firm* — Bacon & Thomas, PLLC

(57) **CLAIM**

The ornamental design for a fitting hinge, as shown and described.

**DESCRIPTION**

FIG. 1 is a front view of a fitting hinge embodying my new design;

FIG. 2 is a rear view thereof;

FIG. 3 is a top plan view thereof;

FIG. 4 is a bottom view thereof;

FIG. 5 is a right side view thereof;

FIG. 6 is a left side view thereof;

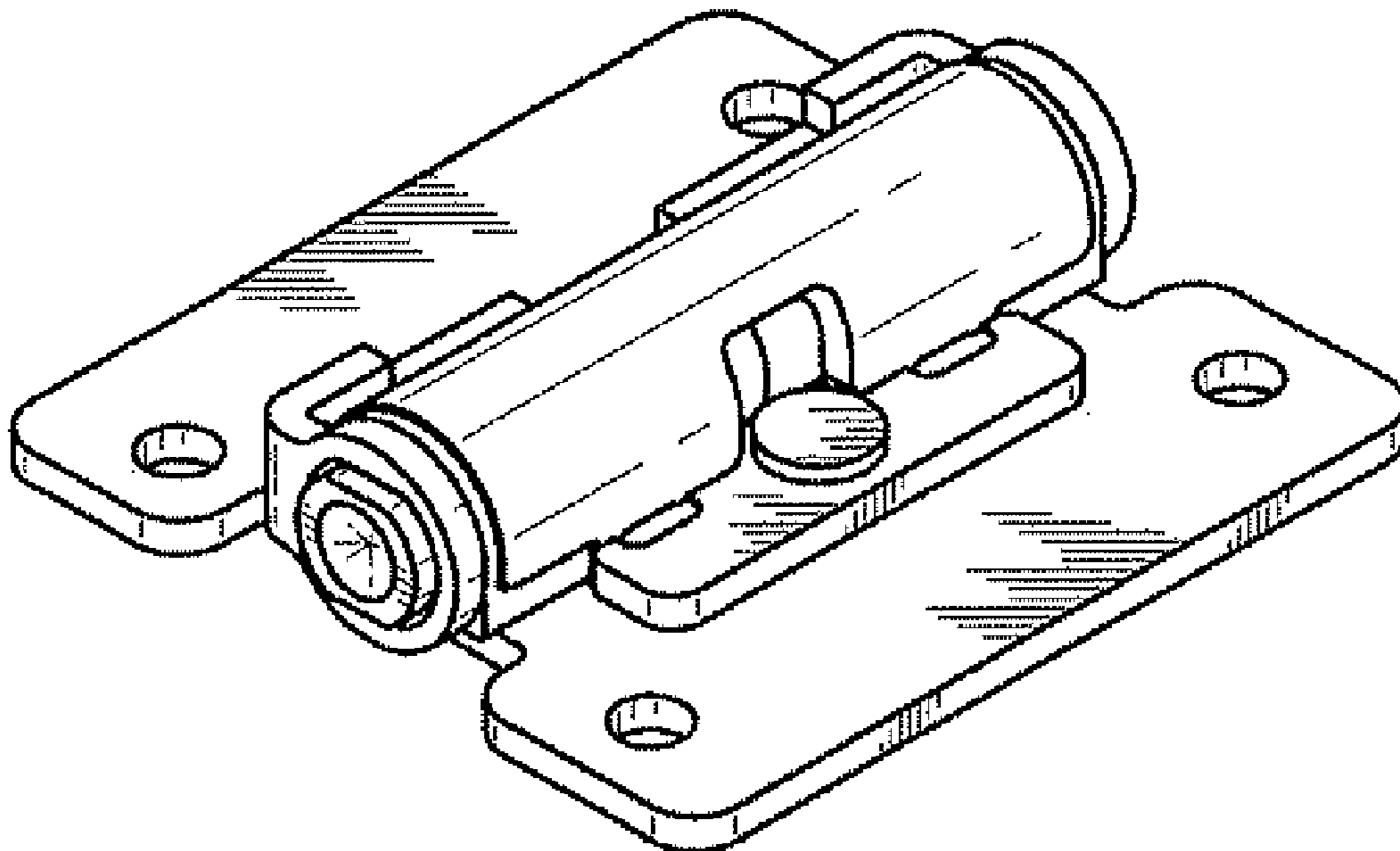
FIG. 7 is a sectional view along line 7-7 of FIG. 1 thereof;

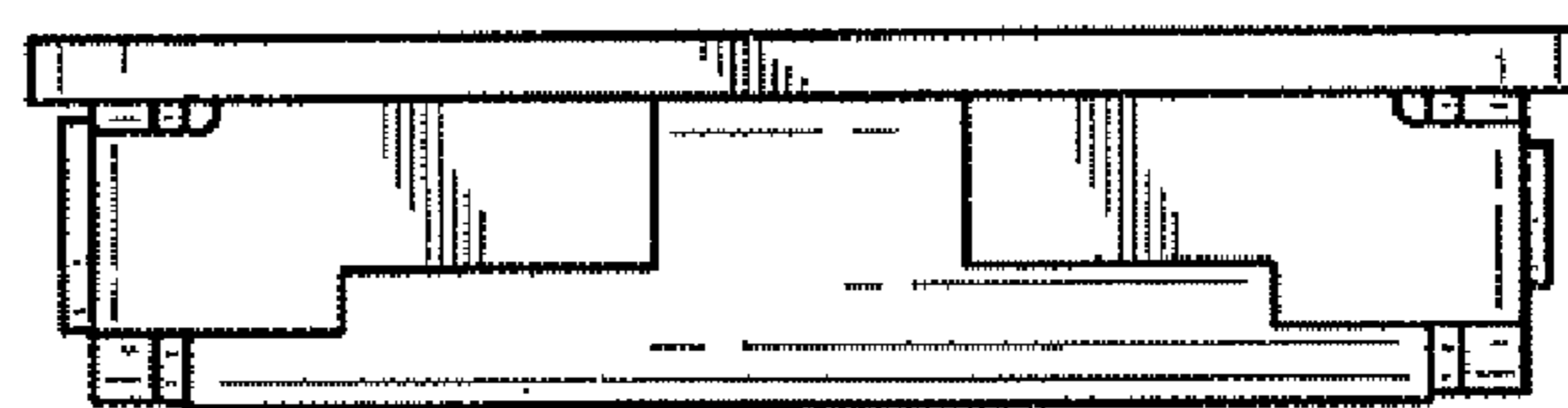
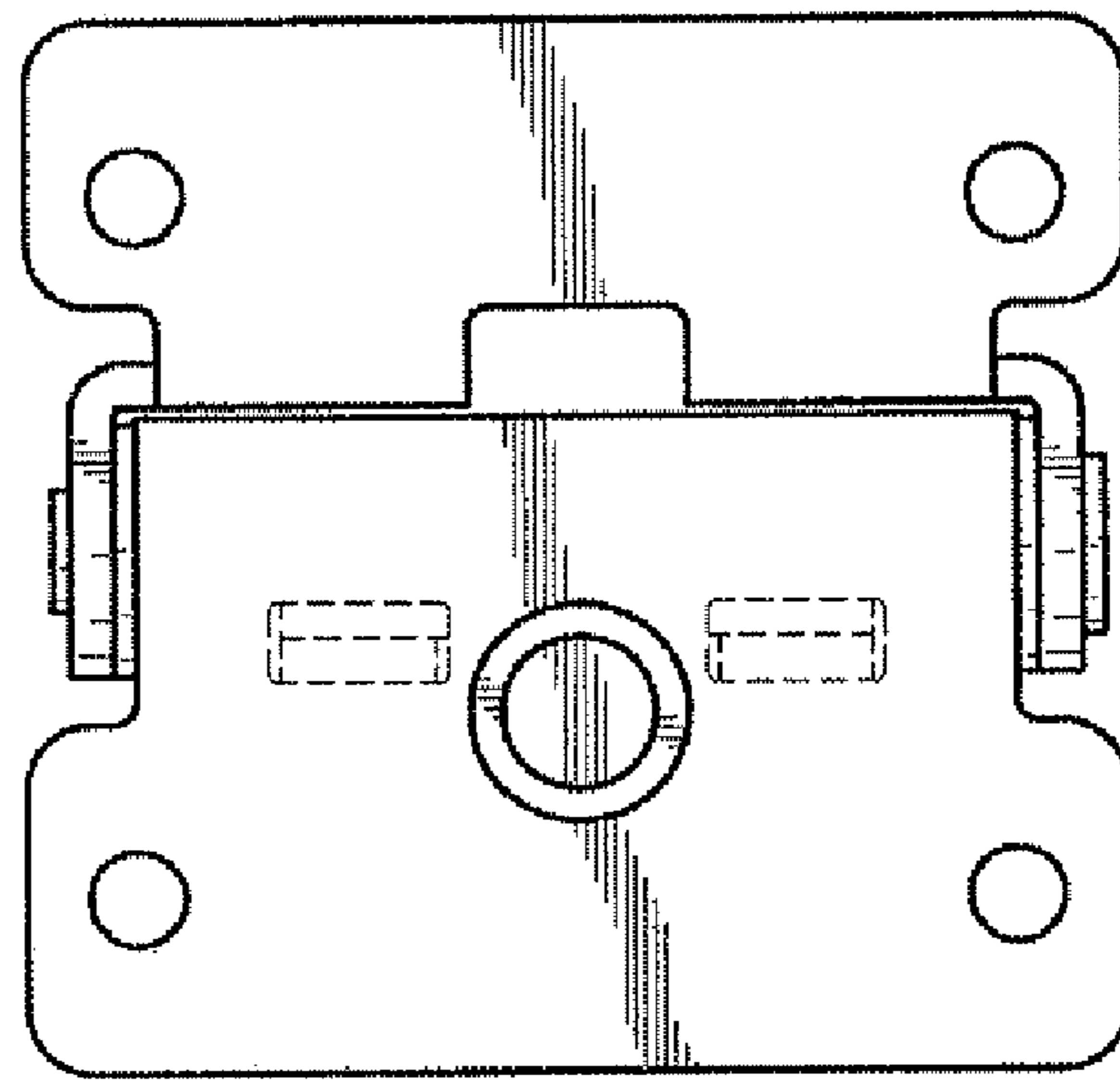
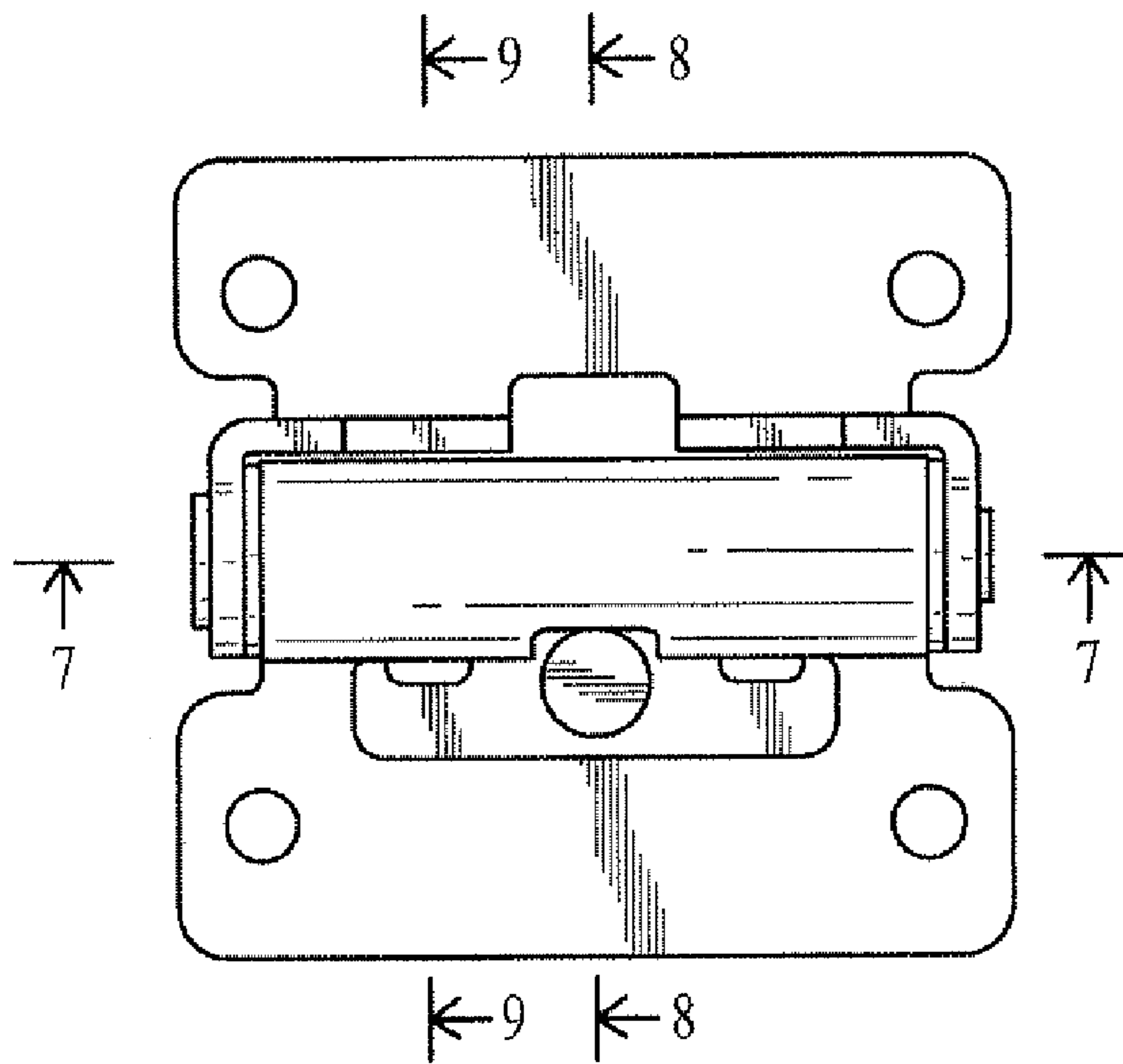
FIG. 8 is a sectional view along line 8-8 of FIG. 1 thereof;

FIG. 9 is a sectional view along line 9-9 of FIG. 1 thereof; and,

FIG. 10 is a perspective view thereof.

**1 Claim, 4 Drawing Sheets**





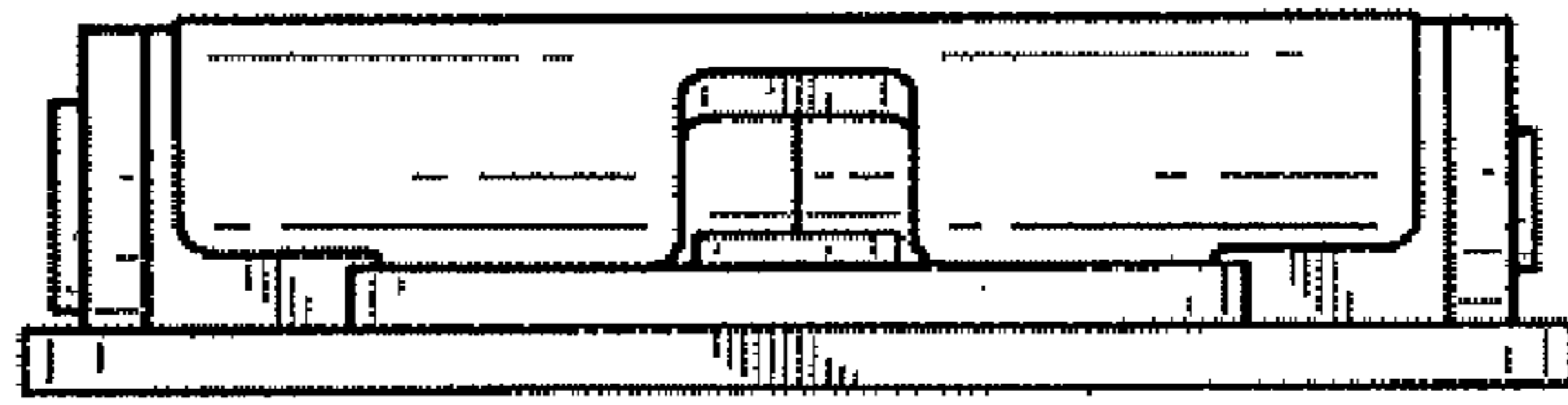


FIG. 4

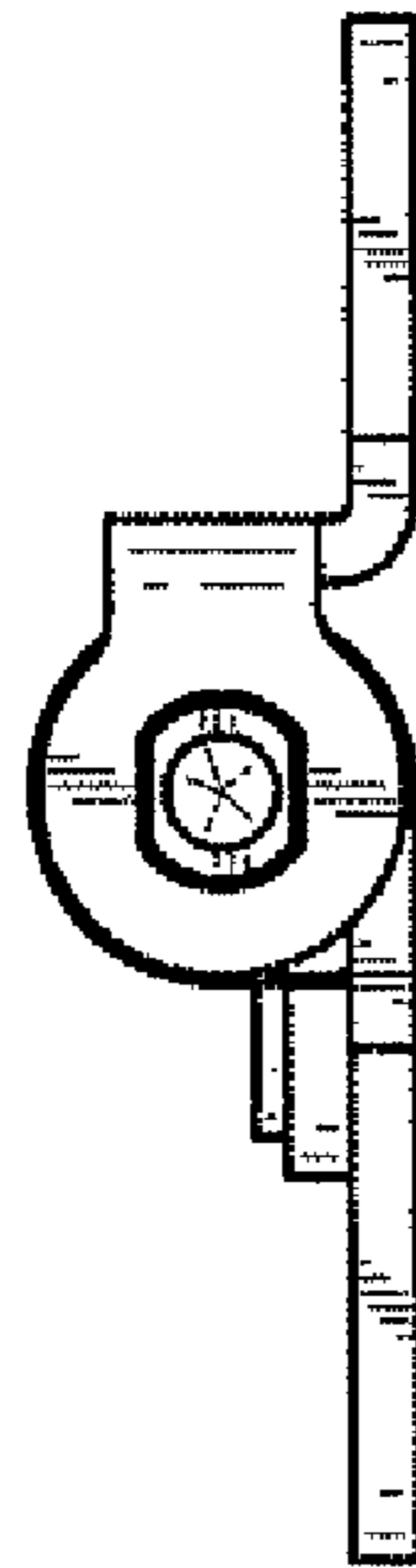


FIG. 5

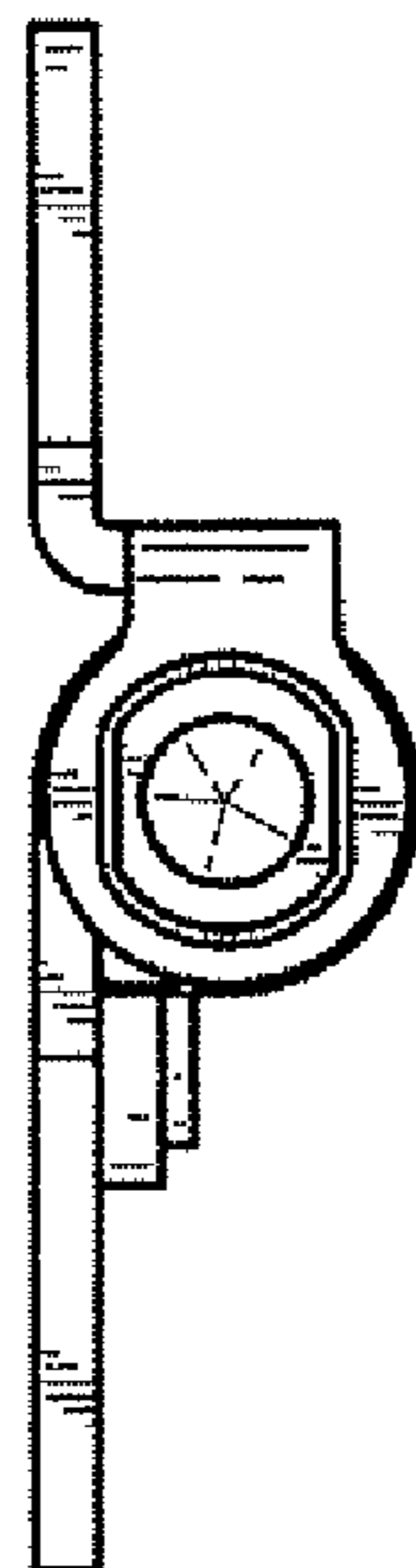


FIG. 6

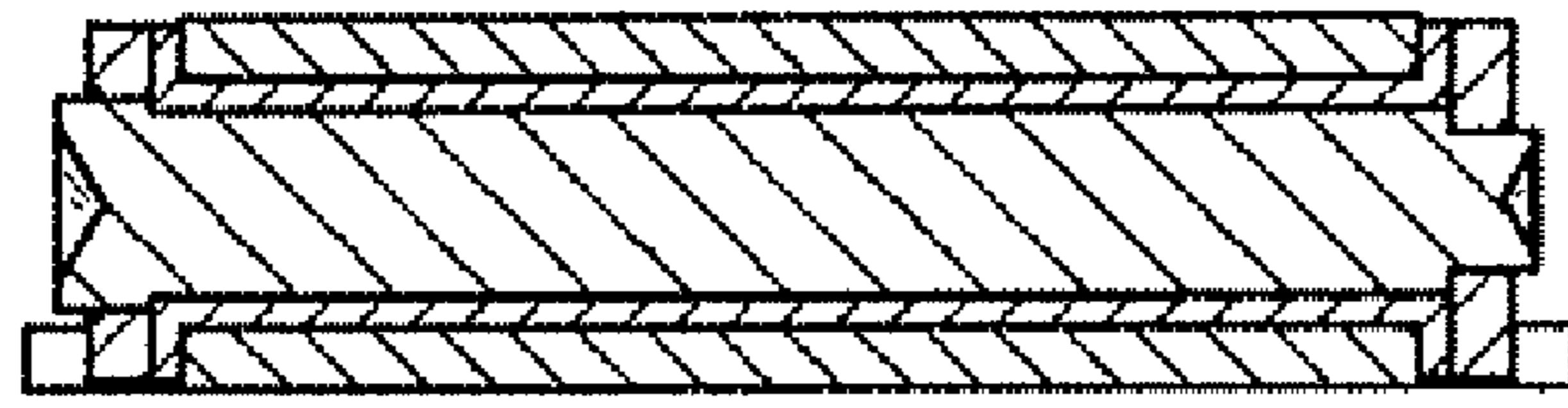


FIG. 7

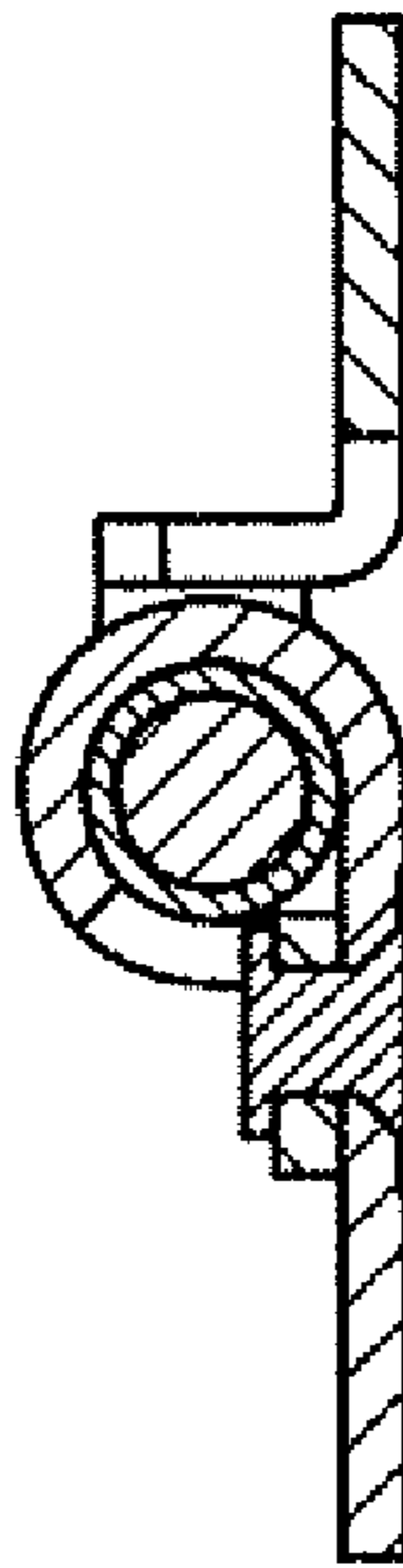


FIG. 8

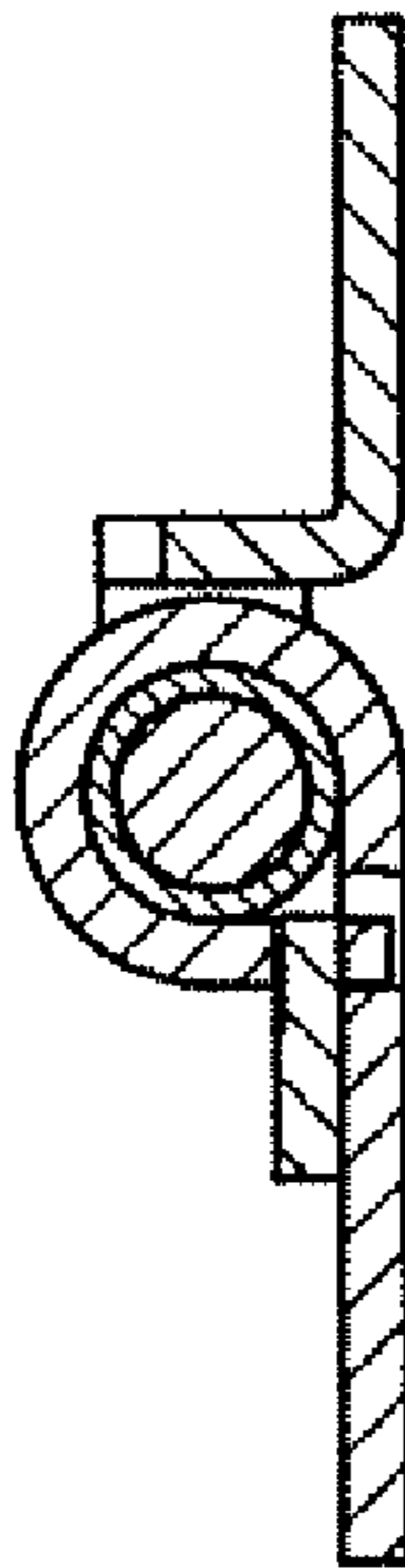


FIG. 9

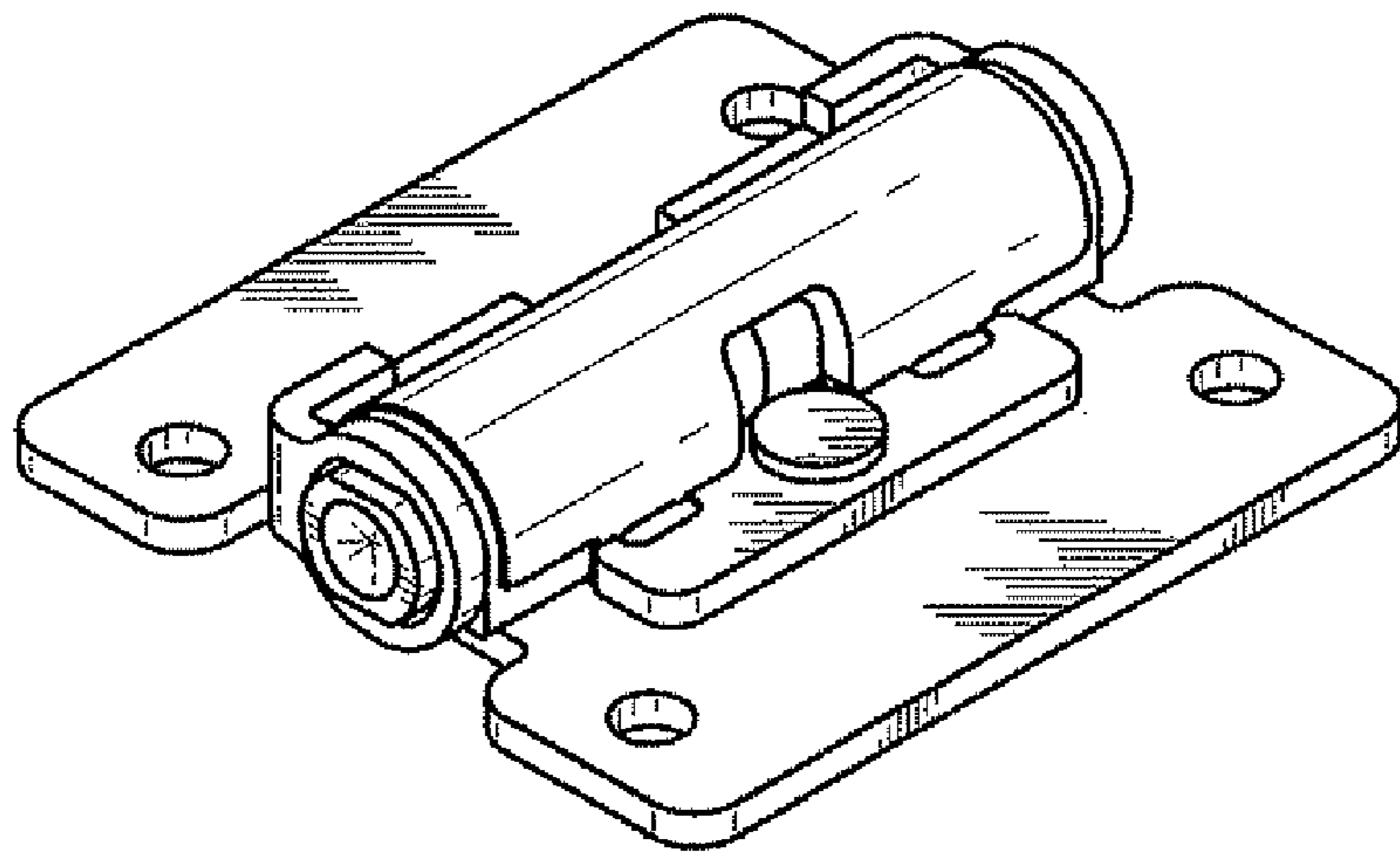


FIG. 10