



US00D653096S

(12) **United States Design Patent**  
**Lucio et al.**

(10) **Patent No.:** **US D653,096 S**  
(45) **Date of Patent:** **\*\* \*Jan. 31, 2012**

(54) **TOOL BIT**

(75) Inventors: **Thomas Lucio**, Coral Springs, FL (US);  
**Glenn Robinson**, Coral Springs, FL (US)

(73) Assignee: **IBT Holdings, LLC**, Deerfield Beach, FL (US)

(\*) Notice: This patent is subject to a terminal disclaimer.

(\*\*) Term: **14 Years**

(21) Appl. No.: **29/372,651**

(22) Filed: **Dec. 20, 2010**

(51) **LOC (9) Cl.** ..... **08-04**

(52) **U.S. Cl.** ..... **D8/86**

(58) **Field of Classification Search** ..... D8/82-87;  
81/436, 438-441, 460-461, 489-490  
See application file for complete search history.

(56) **References Cited**

U.S. PATENT DOCUMENTS

5,953,969	A *	9/1999	Rosenhan	.....	81/436
6,490,950	B2 *	12/2002	Ray et al.	.....	76/119
6,655,241	B2 *	12/2003	Kozak	.....	81/460

7,168,348	B2 *	1/2007	Holland-Letz	.....	81/460
7,581,470	B1 *	9/2009	Huang	.....	81/438
D624,383	S *	9/2010	Hsu	.....	D8/86
D627,205	S *	11/2010	Hsu	.....	D8/86
2005/0076749	A1 *	4/2005	Liu	.....	81/436

\* cited by examiner

*Primary Examiner* — Philip S Hyder

*Assistant Examiner* — Roselynnne Cody

(74) *Attorney, Agent, or Firm* — Dan DeLa Rosa

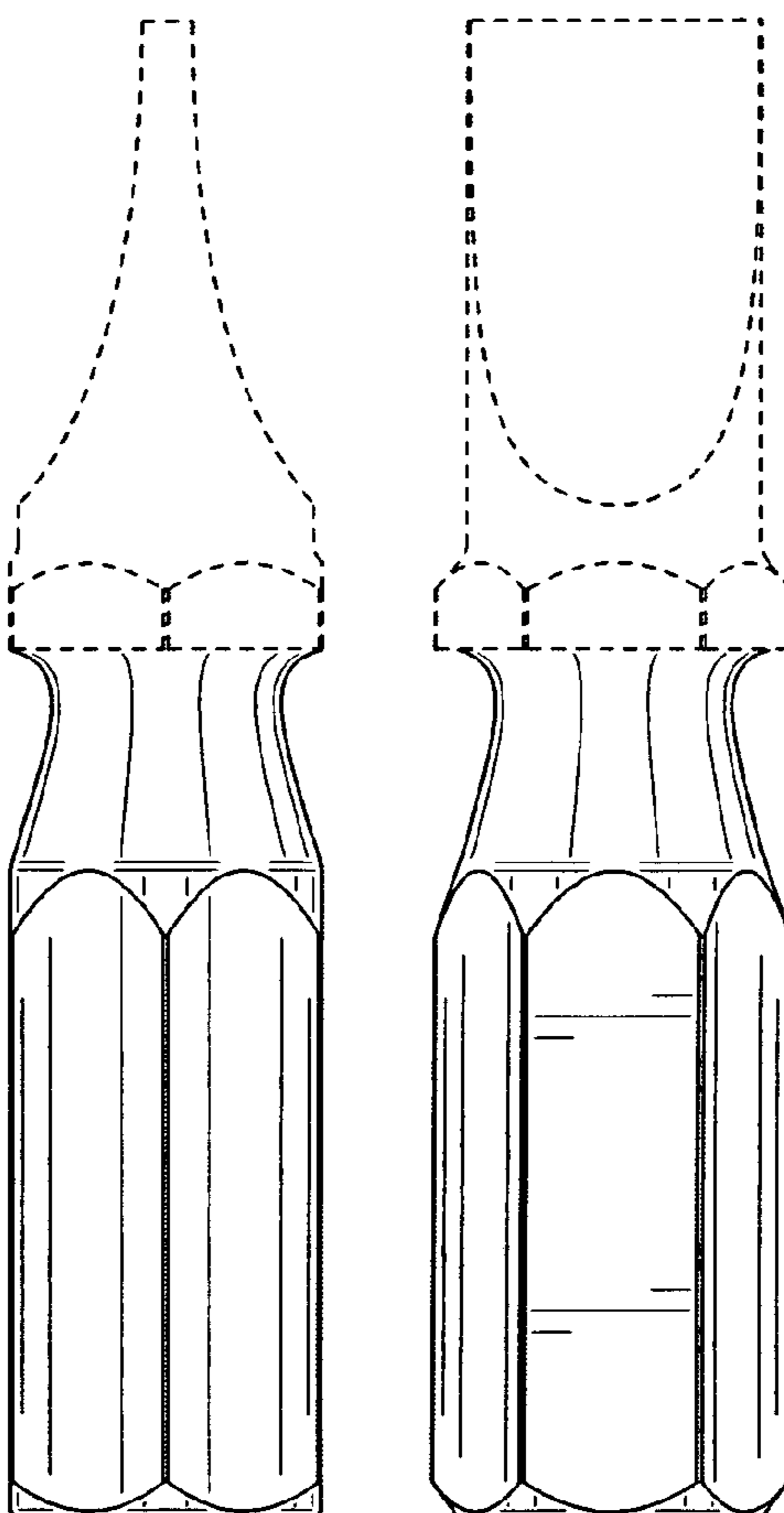
(57) **CLAIM**

The ornamental design for a tool bit, as shown and described.

**DESCRIPTION**

FIG. 1 is an overhead perspective view of the tool bit of the present invention showing my new design; FIG. 2 is a side elevational view thereof; FIG. 3 is a top plan view thereof; FIG. 4 is a front elevational view thereof; FIG. 5 is another side elevational view thereof; FIG. 6 is a back elevational view thereof; FIG. 7 is a bottom plan view thereof; and, FIG. 8 is a rear perspective view of the tool bit. The broken lines in the drawings illustrate unclaimed environment and form no part of the claim.

**1 Claim, 4 Drawing Sheets**



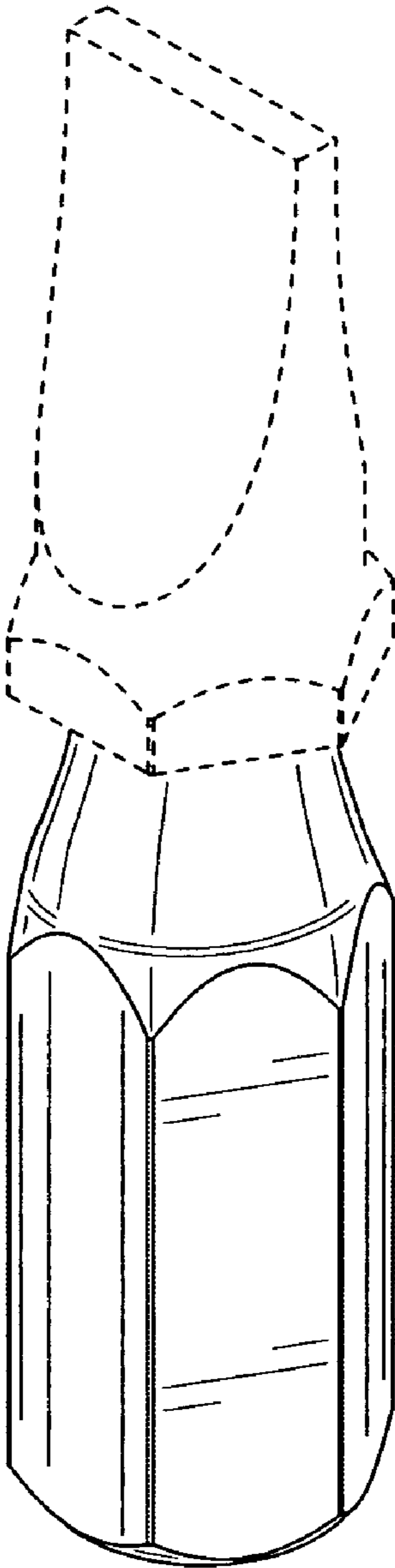


FIG. 1

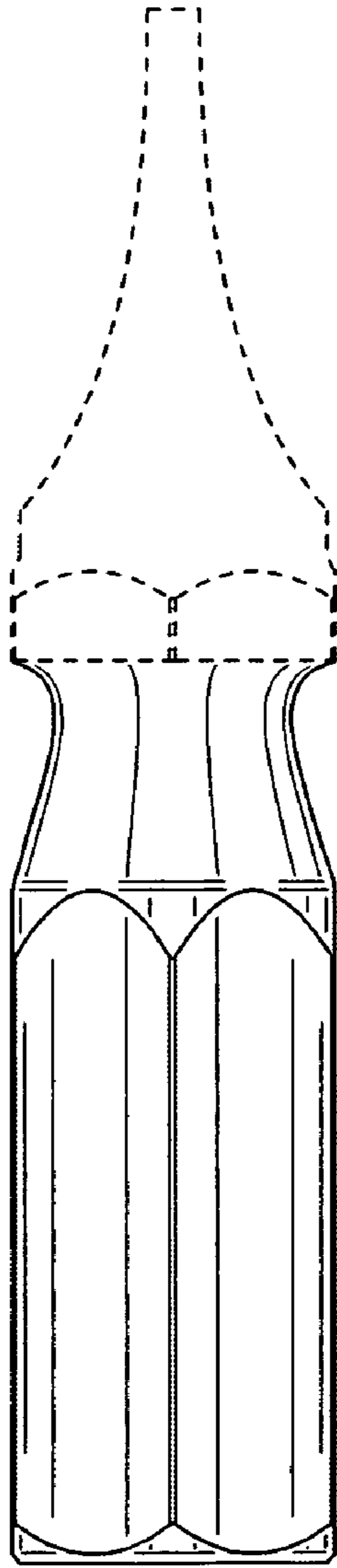


FIG. 2

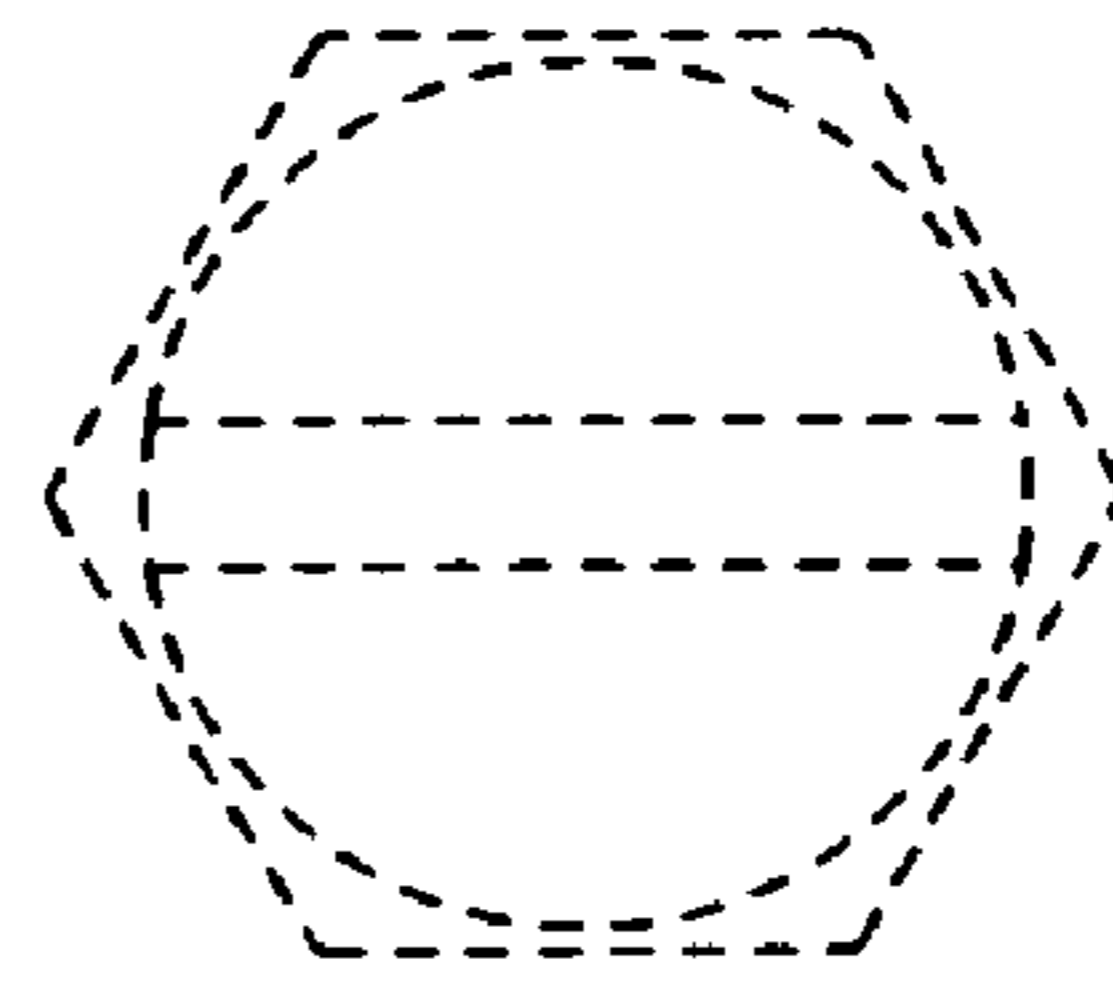


FIG. 3

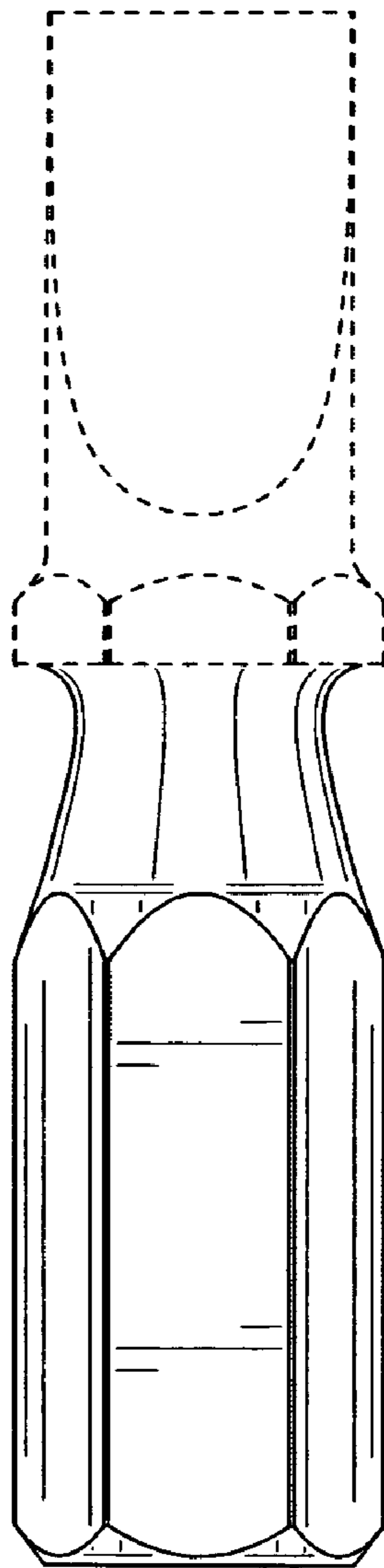


FIG. 4

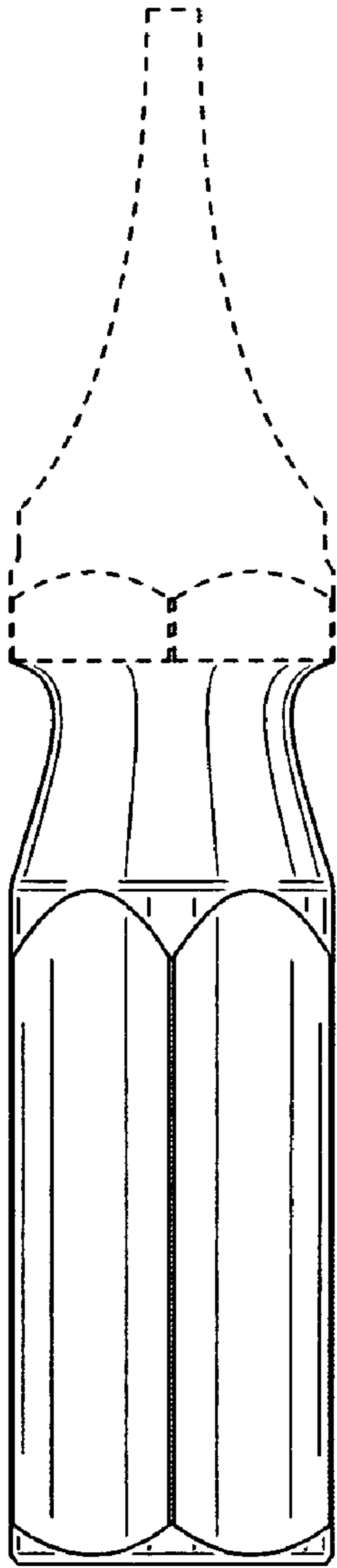


FIG. 5

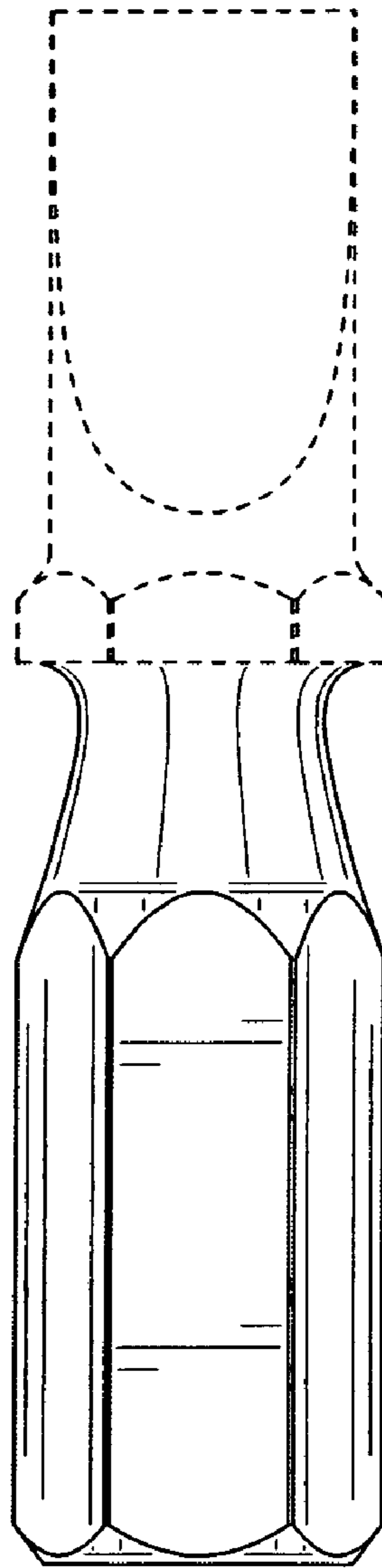


FIG. 6

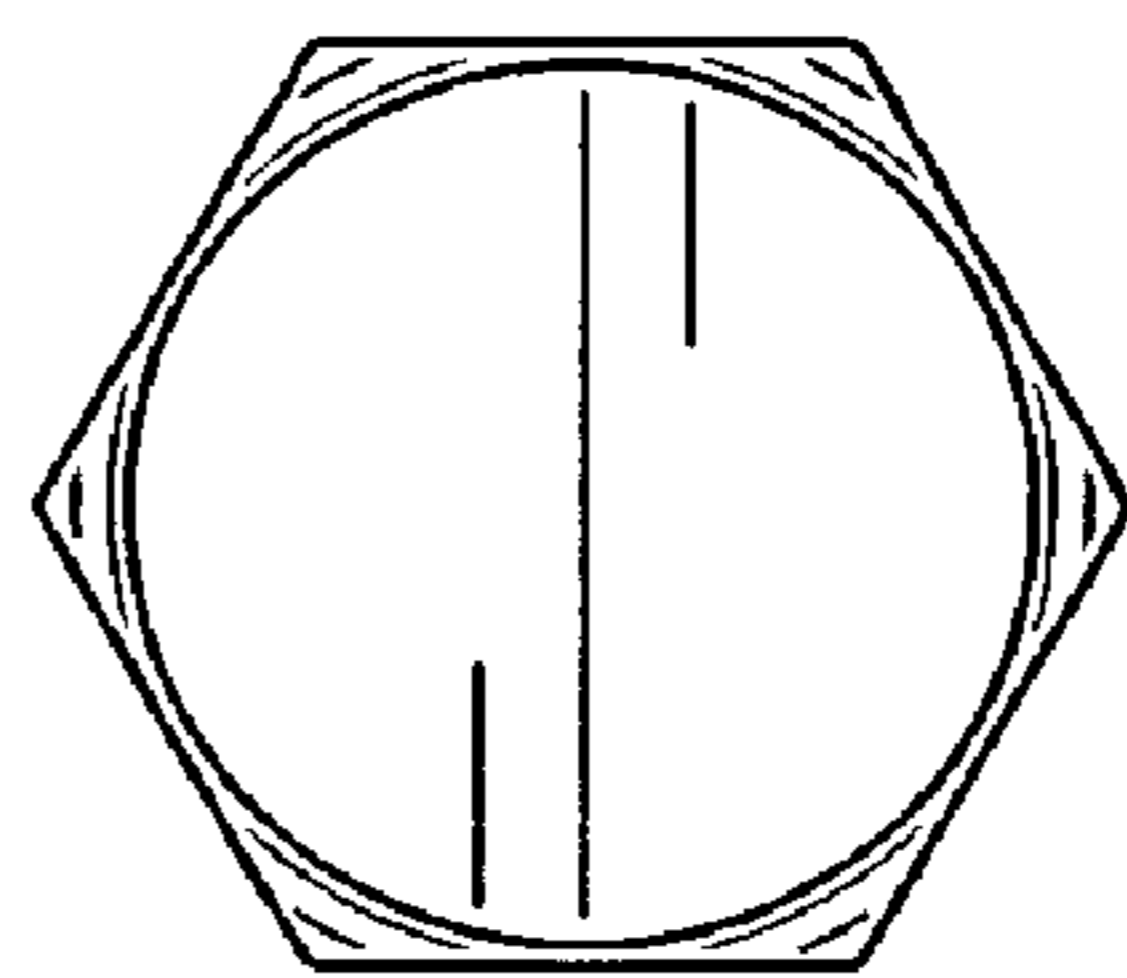


FIG. 7

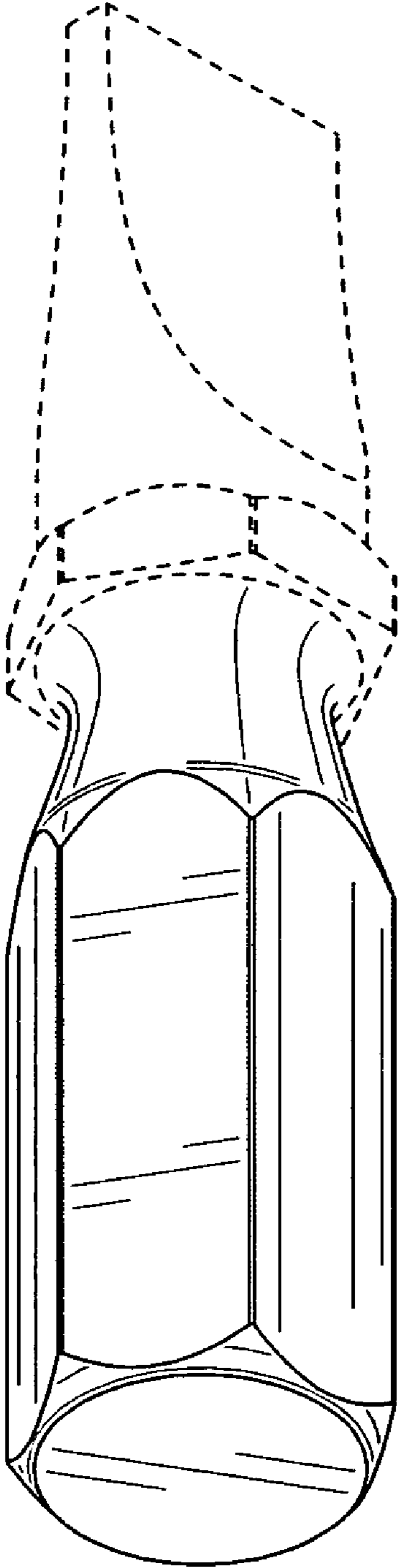


FIG. 8