



US00D653091S

(12) **United States Design Patent**
Hua

(10) **Patent No.:** **US D653,091 S**
(45) **Date of Patent:** **** Jan. 31, 2012**

(54) **RAKE APPARATUS**

(76) Inventor: **Jie Hua**, Cixi (CN)

(**) Term: **14 Years**

(21) Appl. No.: **29/384,477**

(22) Filed: **Jan. 31, 2011**

(51) **LOC (9) Cl.** **08-01**

(52) **U.S. Cl.** **D8/10**

(58) **Field of Classification Search** D8/6, 13;
56/400.12-400.15, 400.01; 119/801, 795;
294/55.5, 49

See application file for complete search history.

(56) **References Cited**

U.S. PATENT DOCUMENTS

3,724,188	A *	4/1973	Eads	56/400.17
D350,052	S *	8/1994	Sun	D8/13
D391,132	S *	2/1998	Gandee et al.	D8/13
D402,173	S *	12/1998	Woodley	D8/13

D442,039	S *	5/2001	Yeh	D8/13
D577,967	S *	10/2008	Norton et al.	D8/13
D579,289	S *	10/2008	Norton et al.	D8/13

* cited by examiner

Primary Examiner — Cynthia M Chin

Assistant Examiner — Sheryl Lane

(74) *Attorney, Agent, or Firm* — Suiter Swantz pc llo

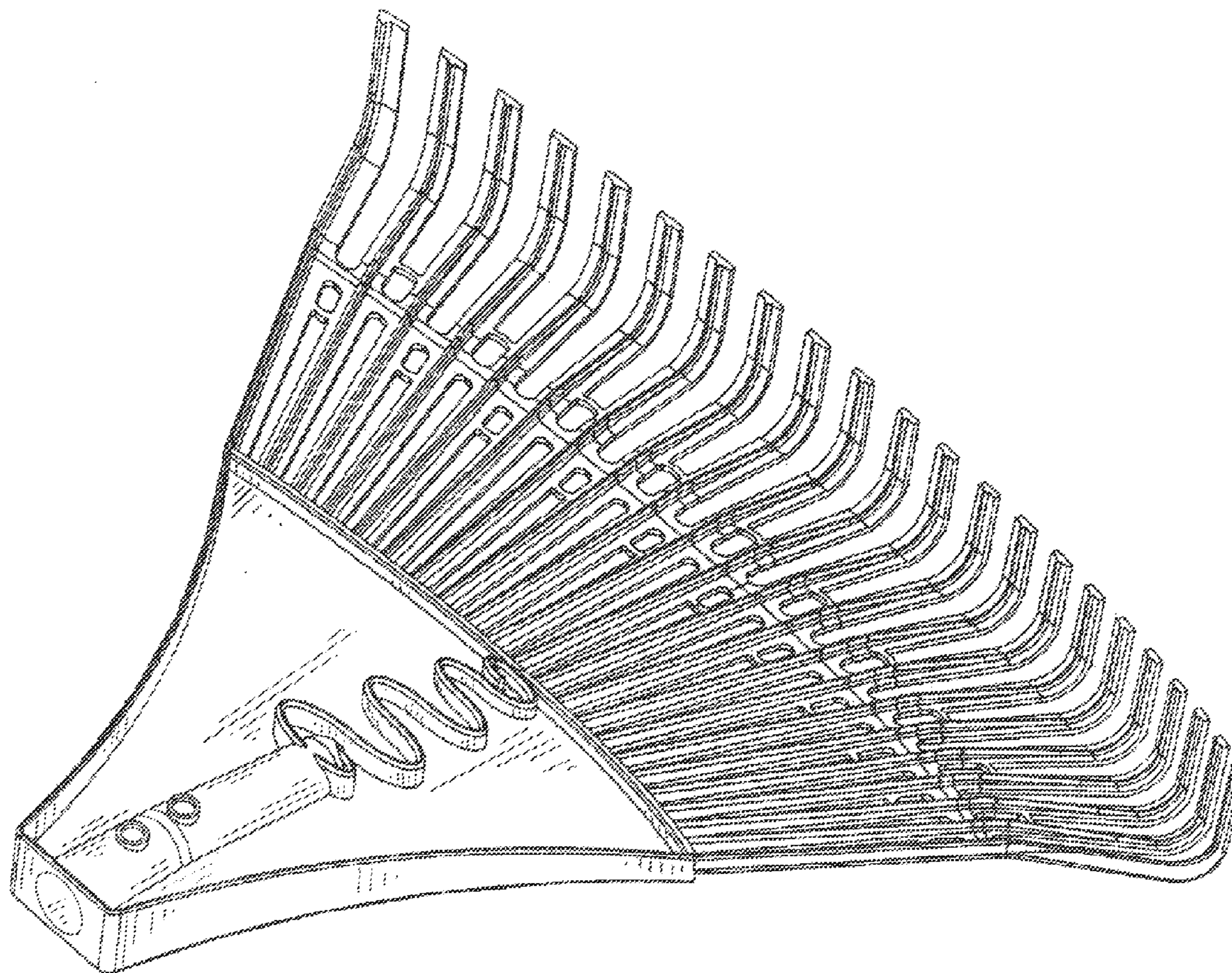
(57) **CLAIM**

The ornamental design for a rake apparatus, as shown and described.

DESCRIPTION

FIG. 1 is a perspective view showing my new design;
FIG. 2 is a top plan view thereof;
FIG. 3 is a bottom plan view thereof;
FIG. 4 is a front elevation view thereof;
FIG. 5 is a rear elevation view thereof;
FIG. 6 is a first side elevation view thereof; and,
FIG. 7 is a second side elevation view thereof.

1 Claim, 5 Drawing Sheets



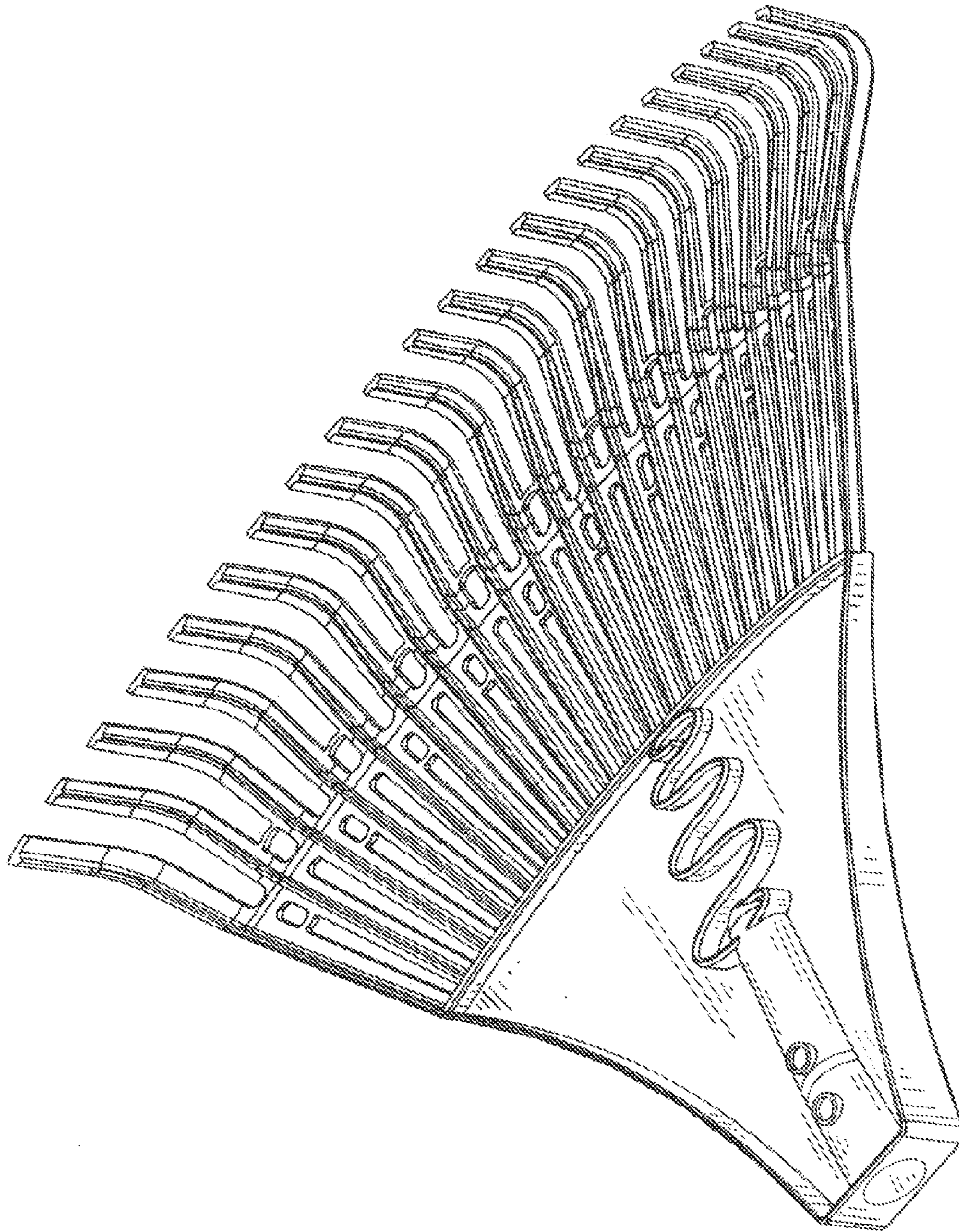


FIG. 1

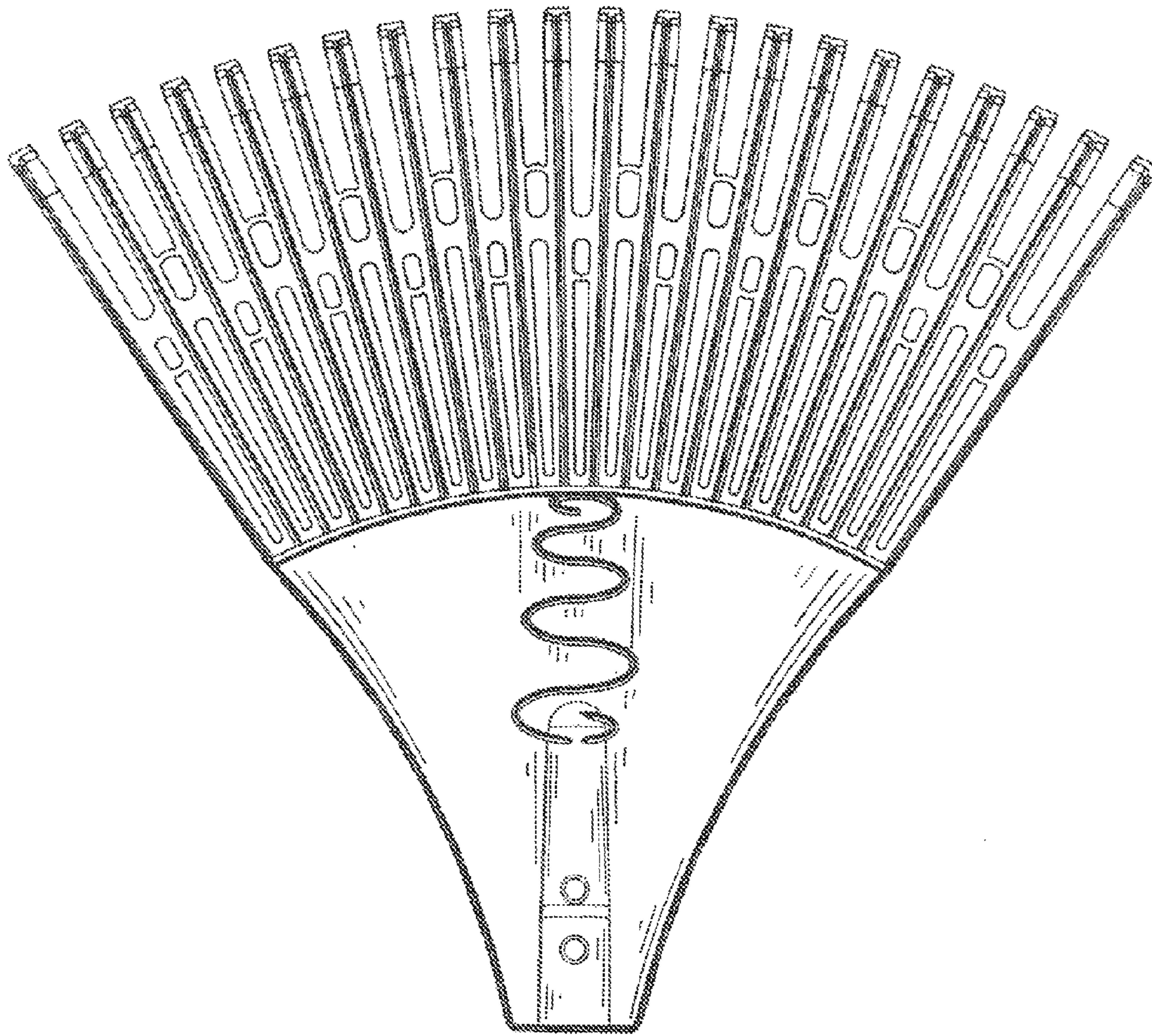


FIG. 2

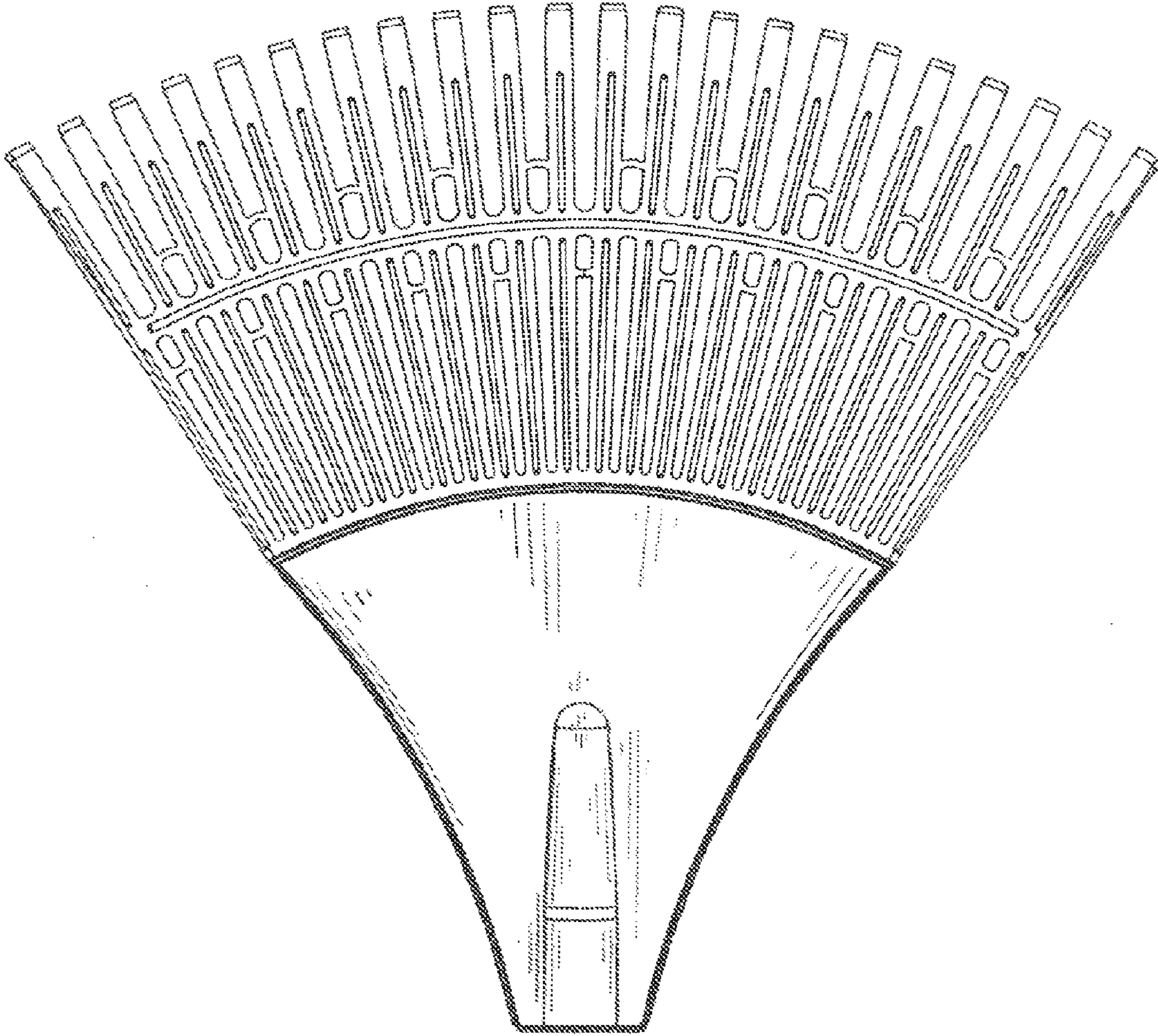


FIG. 3

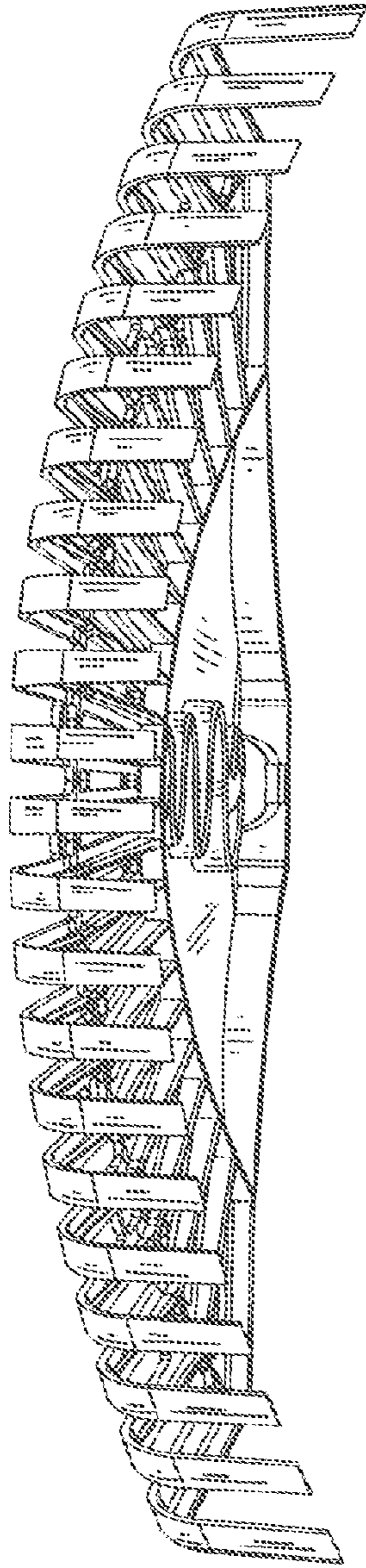


FIG. 4

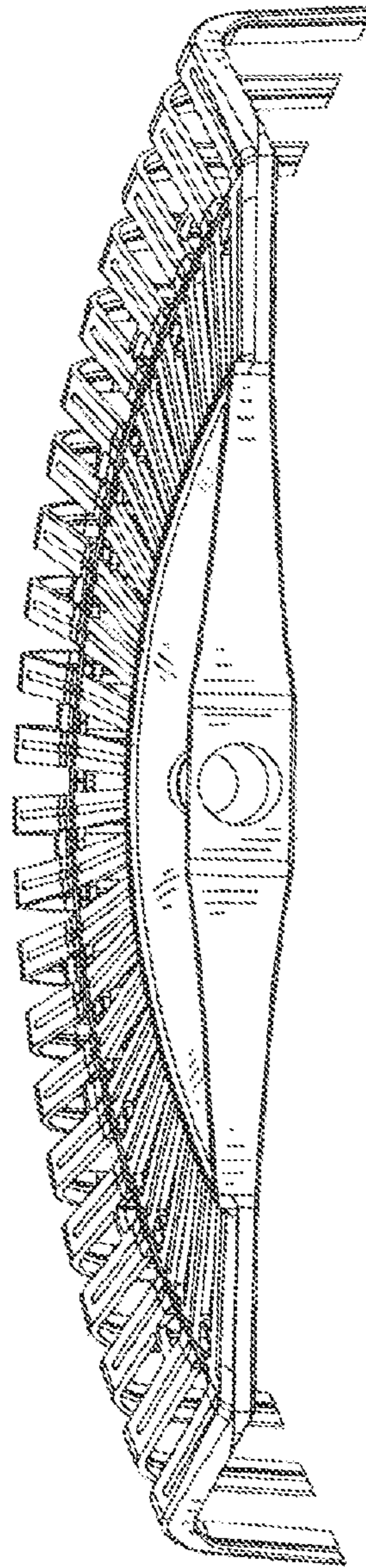


FIG. 5

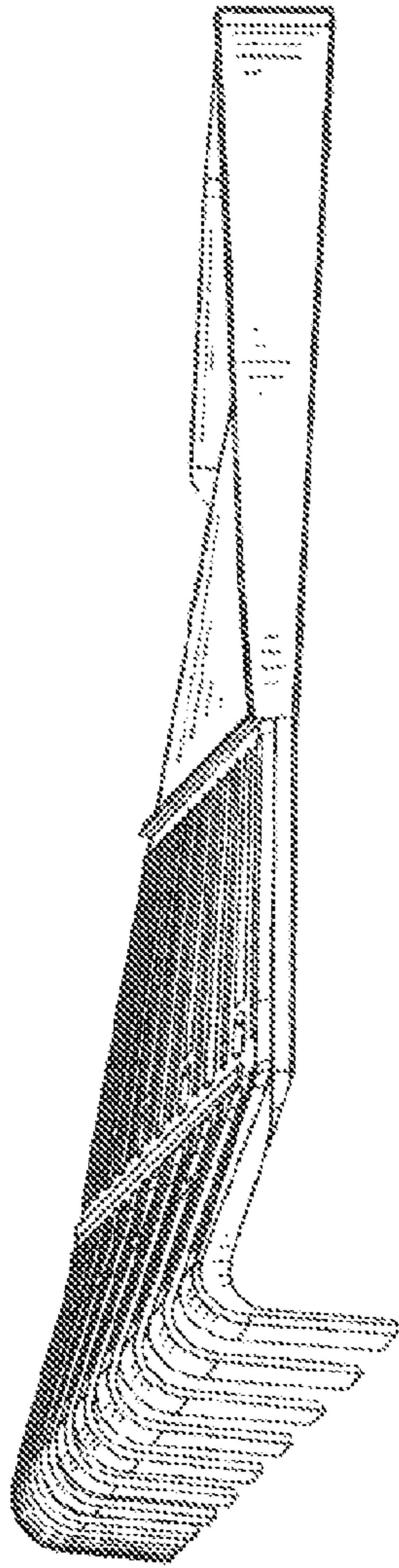


FIG. 6

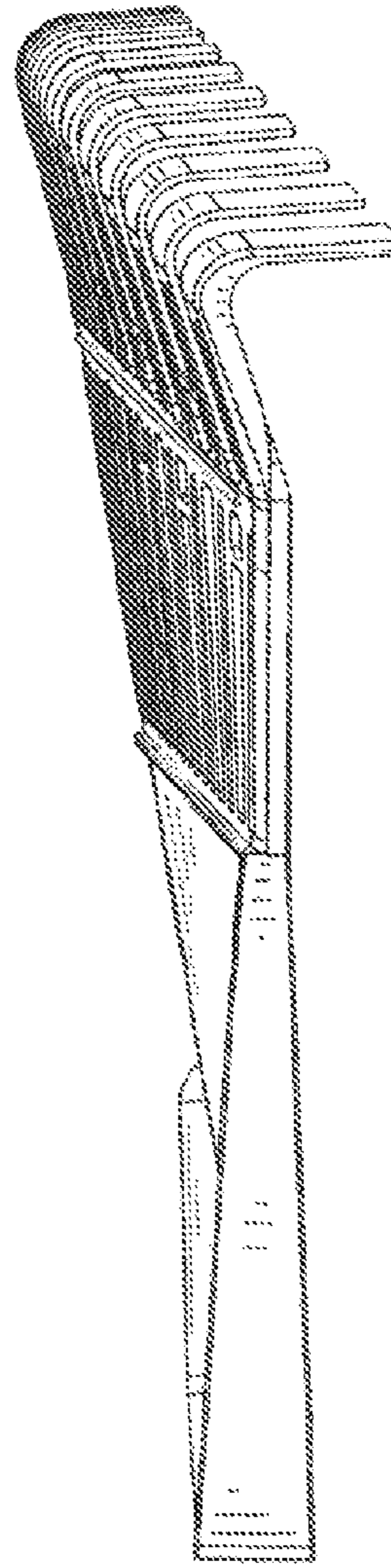


FIG. 7