



US00D653088S

(12) **United States Design Patent**  
**Hansen et al.**

(10) **Patent No.:** **US D653,088 S**  
(45) **Date of Patent:** **\*\* Jan. 31, 2012**

(54) **COASTER WITH RAISED SIDES**

(76) Inventors: **Jeffery D. Hansen**, Las Vegas, NV (US);  
**Danielle E. Hansen**, Las Vegas, NV  
(US)

(\*\*) Term: **14 Years**

(21) Appl. No.: **29/382,659**

(22) Filed: **Jan. 6, 2011**

(51) **LOC (9) Cl.** ..... **07-06**

(52) **U.S. Cl.** ..... **D7/624.1**

(58) **Field of Classification Search** ..... D7/601-602,  
D7/619.1, 624.1, 624.2, 388, 603; D9/444,  
D9/455, 501, 517; D30/129, 133; D27/102,  
D27/126, 133-135; D11/143, 152, 155;  
D24/199; 215/11.6; 220/592.16, 592.17,  
220/737-739, 902-903; 229/89-91; D6/491;  
D26/6, 10, 20-21; D8/374, 399; D19/84

See application file for complete search history.

(56) **References Cited**

**U.S. PATENT DOCUMENTS**

152,758	A	*	7/1874	Mills	.....	47/86
D26,563	S	*	1/1897	Heiser	.....	D8/399
D44,952	S	*	12/1913	Buser	.....	D8/374
1,912,728	A	*	6/1933	Roe	.....	248/346.11
D103,562	S	*	3/1937	Cook	.....	D9/455
D287,920	S	*	1/1987	Lanier	.....	D7/624.2

D299,768	S	*	2/1989	Windom	.....	D30/129
D312,191	S		11/1990	Pinette, Jr.		
D312,895	S	*	12/1990	Goetz	.....	D30/129
5,143,247	A	*	9/1992	Gavle	.....	220/630
D336,843	S	*	6/1993	Hurst	.....	D8/374
D340,761	S	*	10/1993	Long	.....	D23/206
D406,925	S	*	3/1999	Sharon	.....	D30/129
D411,079	S		6/1999	Graham		
D440,483	S	*	4/2001	Bushey	.....	D8/374
D487,695	S	*	3/2004	Sittig	.....	D8/374
D493,096	S	*	7/2004	Sittig	.....	D8/374
D515,366	S		2/2006	Jackson et al.		

\* cited by examiner

*Primary Examiner* — Ian Simmons

*Assistant Examiner* — Dana L Sipos

(74) *Attorney, Agent, or Firm* — Montgomery Patent &  
Design, LLC; Robert C. Montgomery; Joseph T. Yaksich

(57) **CLAIM**

The ornamental design for a coaster with raised sides, as shown and described.

**DESCRIPTION**

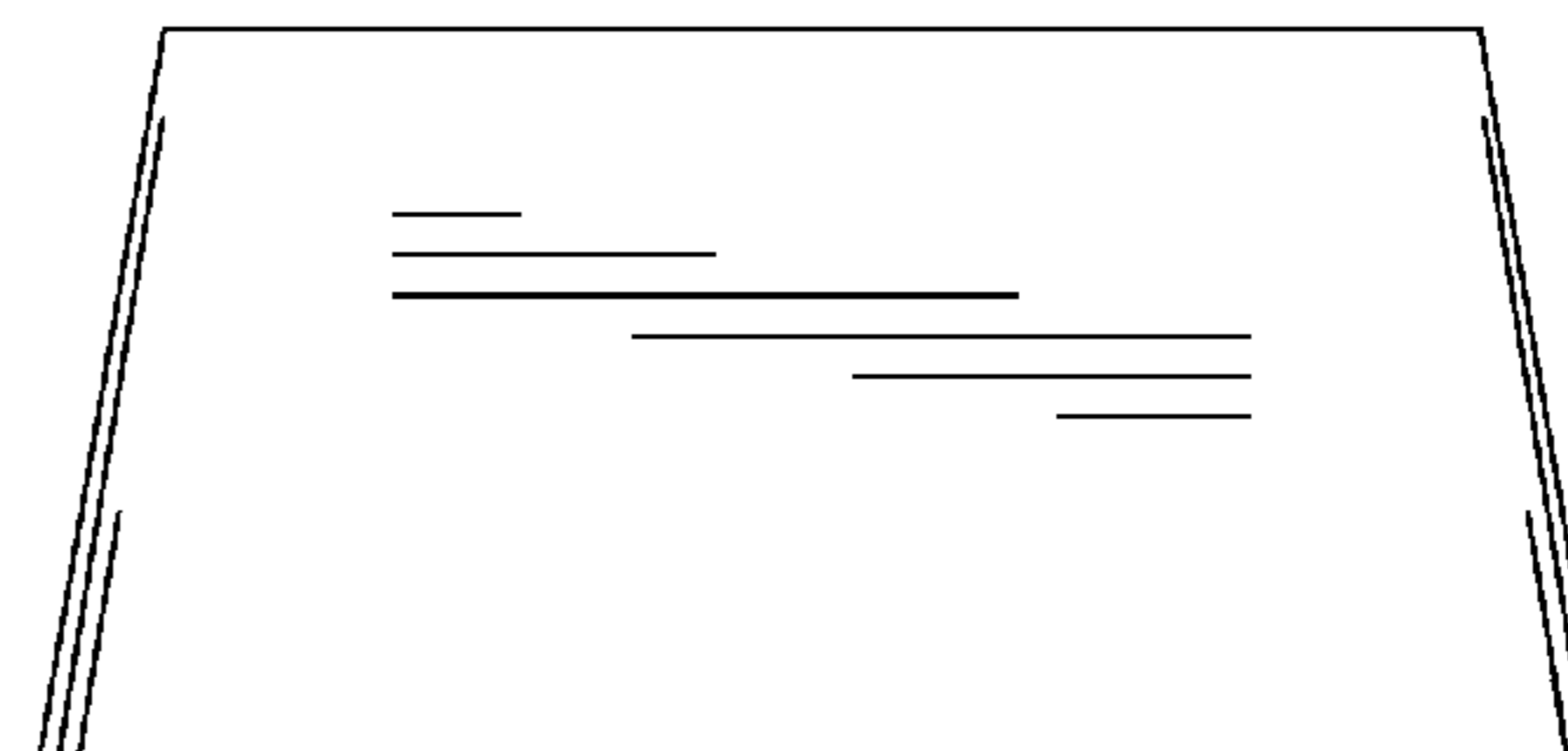
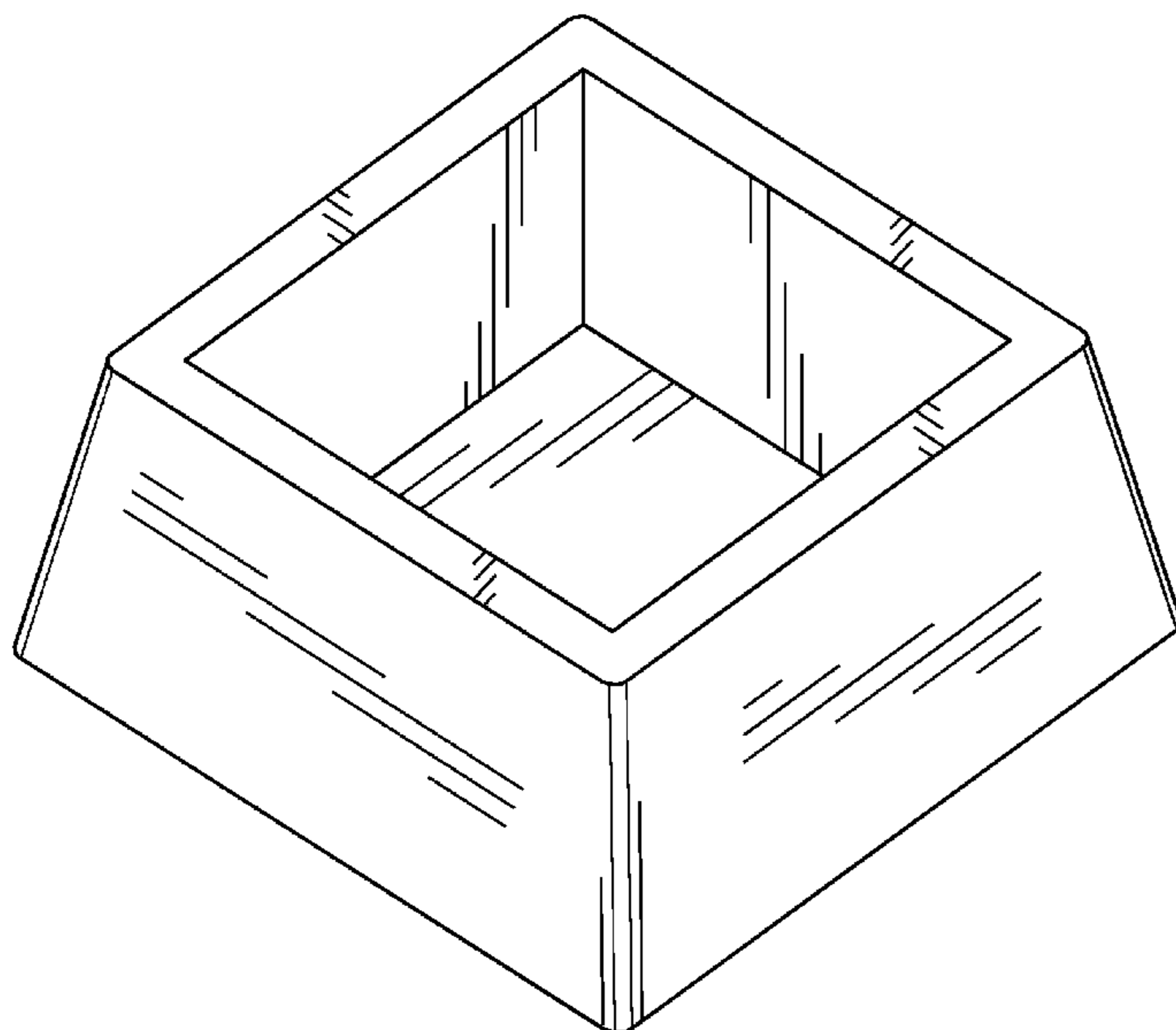
FIG. 1 is a perspective view of a coaster with raised sides, showing our new design;

FIG. 2 is a front view thereof with a rear view, a left side view, and a right side view being mirror images;

FIG. 3 is a top view thereof; and,

FIG. 4 is a bottom view thereof.

**1 Claim, 4 Drawing Sheets**



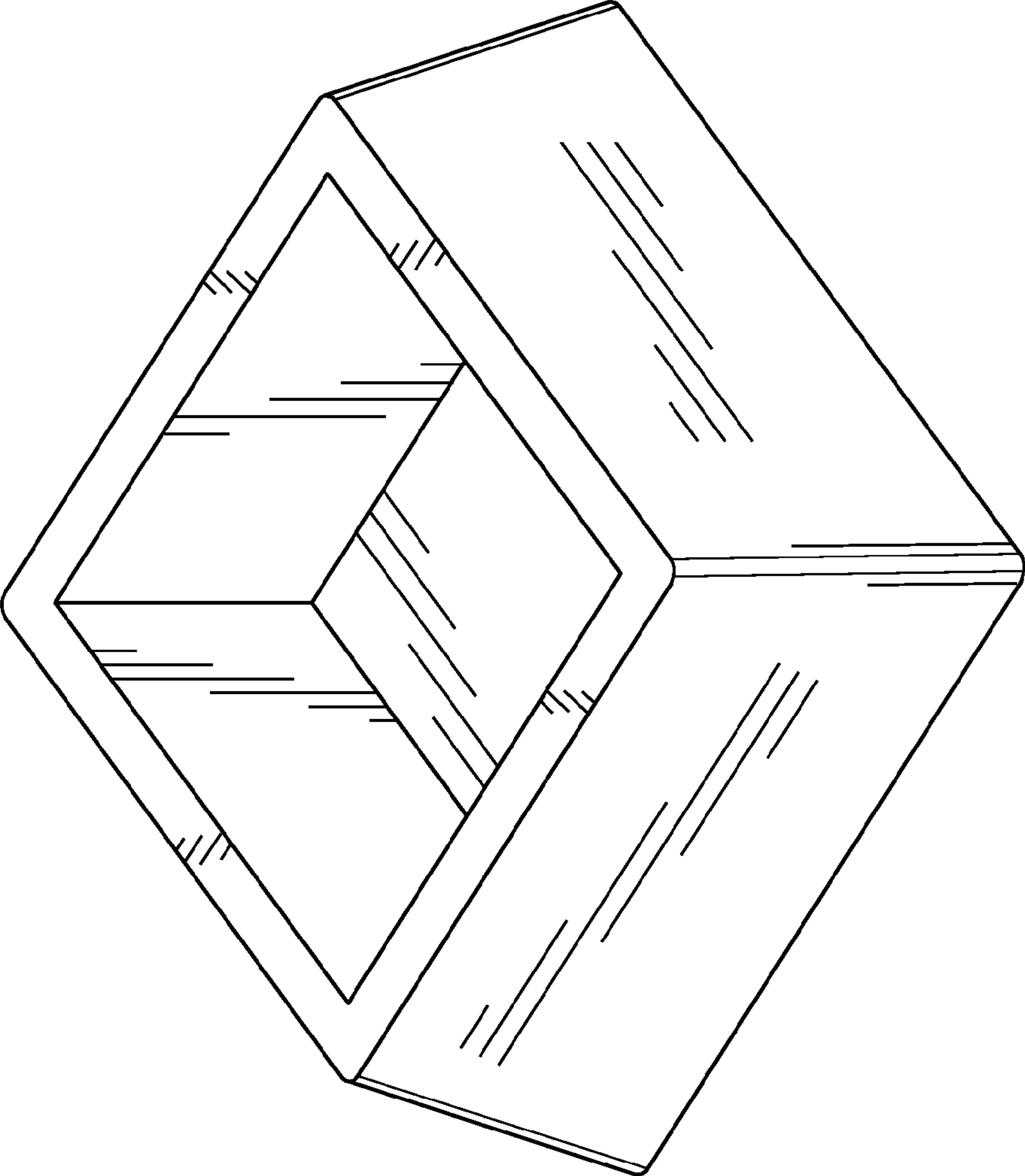


Fig. 1

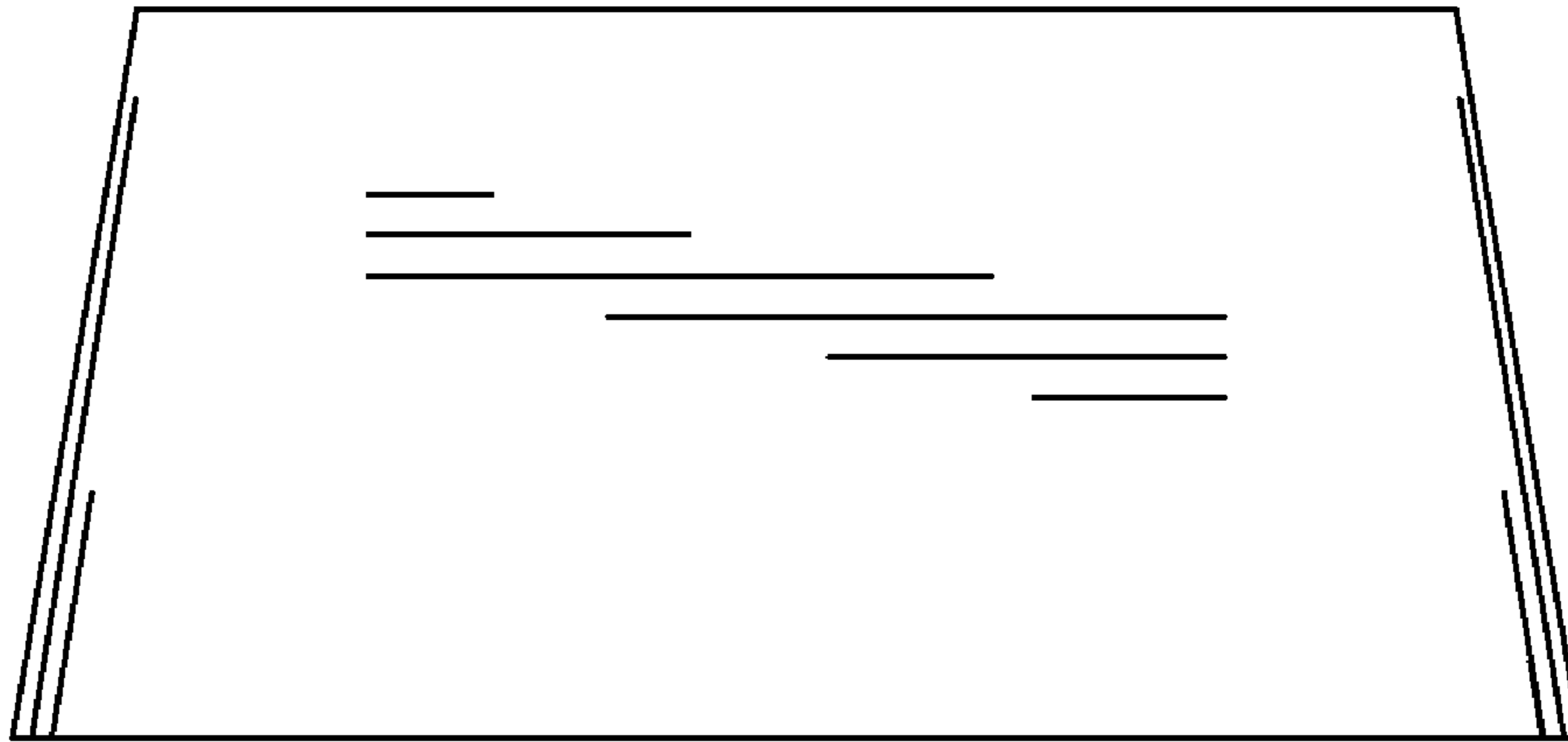


Fig. 2

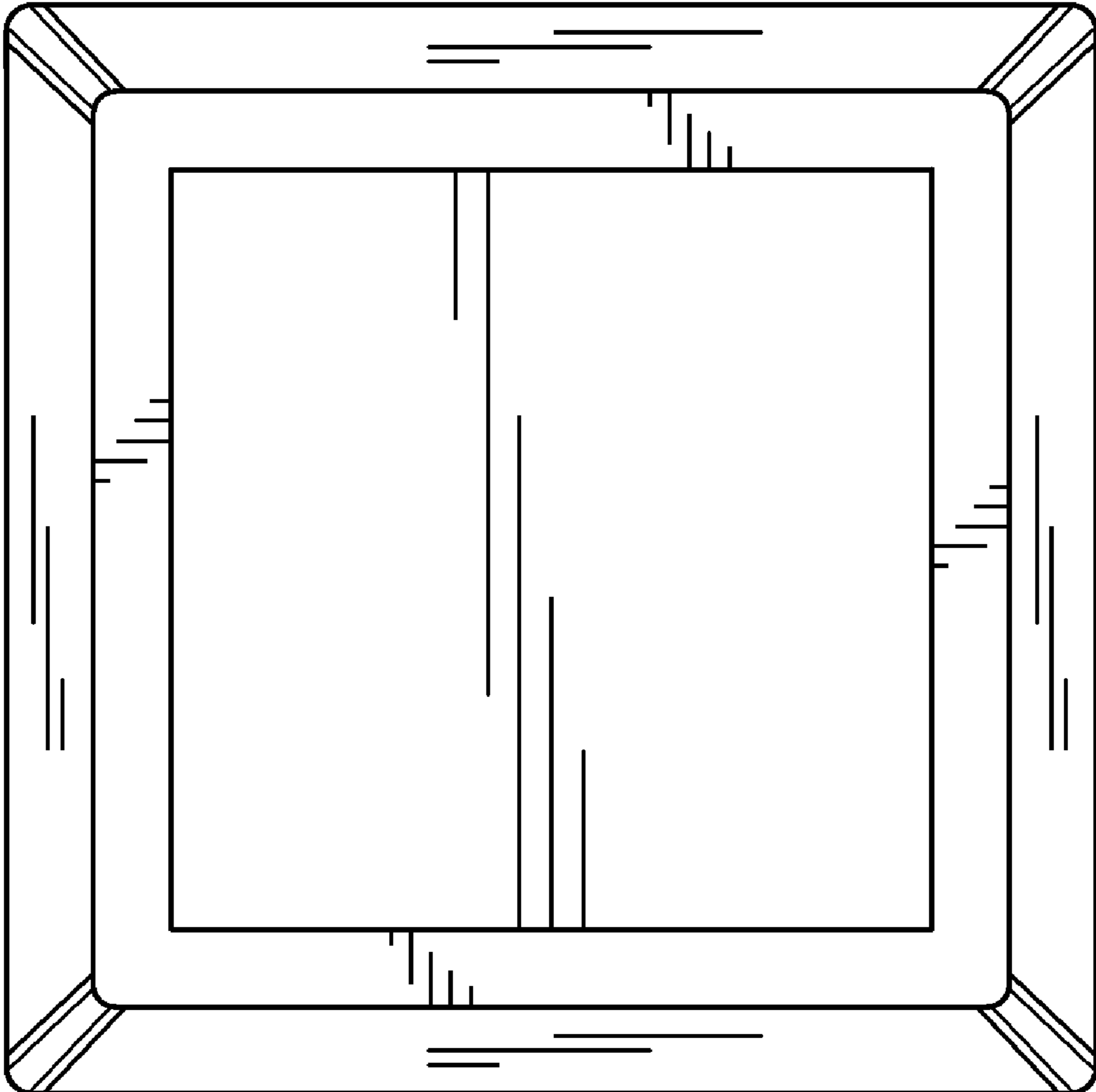


Fig. 3

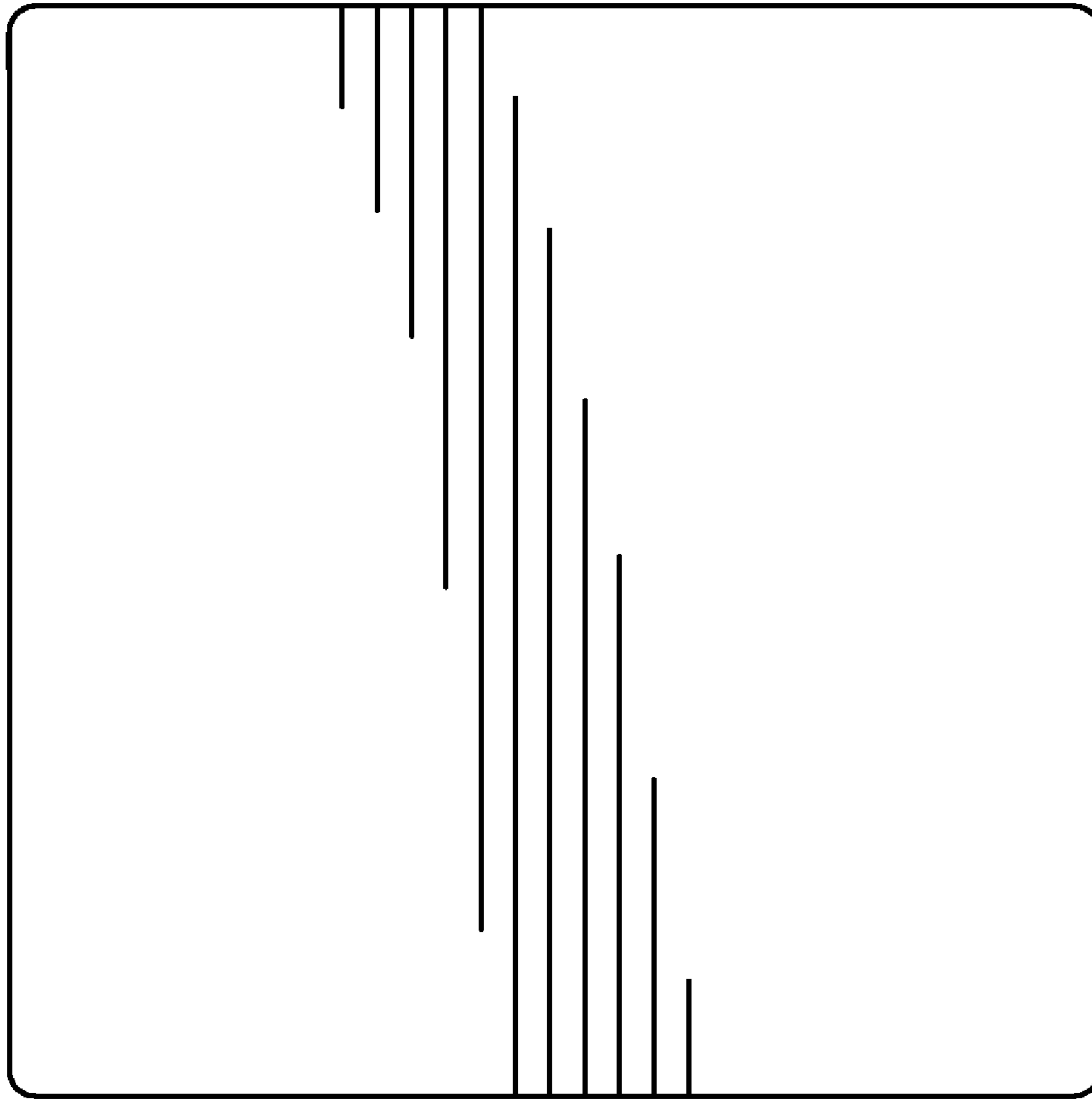


Fig. 4