



US00D653086S

(12) **United States Design Patent**
Morales

(10) **Patent No.:** **US D653,086 S**
(45) **Date of Patent:** **** Jan. 31, 2012**

- (54) **THERMAL CONTAINER**
- (75) Inventor: **Hernando Morales**, Bogotá (CO)
- (73) Assignee: **Polimes S.A.**, Bogota (CO)
- (**) Term: **14 Years**
- (21) Appl. No.: **29/347,725**
- (22) Filed: **Apr. 23, 2010**
- (51) **LOC (9) Cl.** **07-01**
- (52) **U.S. Cl.** **D7/608**
- (58) **Field of Classification Search** D7/509,
D7/538, 533, 534, 536, 540, 543, 601, 602,
D7/605-608, 619.1, 622, 629, 630; 215/200,
215/316, 319, 379, 381-385; 220/592.16,
220/592.17, 592.2, 592.21, 592.22, 592.28,
220/495.03, 200, 345.1, 796, 62.13, 62.22,
220/660, 669, 675

See application file for complete search history.

(56) **References Cited**

U.S. PATENT DOCUMENTS

D180,928 S *	9/1957	Bliss	D7/608
D261,088 S *	10/1981	Akimov et al.	D7/608
4,537,044 A *	8/1985	Putnam	62/371
D329,170 S *	9/1992	Hoffer	D7/509
D446,685 S *	8/2001	Atkin et al.	D7/510
D476,849 S *	7/2003	Randolph	D7/510
D494,424 S *	8/2004	Segura	D7/608
D518,335 S *	4/2006	Naft et al.	D7/608
D529,339 S *	10/2006	Carreno et al.	D7/511
D530,161 S *	10/2006	Carreno et al.	D7/629
D543,112 S *	5/2007	Bridgman et al.	D9/516
D546,130 S *	7/2007	Morales	D7/608

D546,131 S *	7/2007	Morales	D7/608
D559,622 S *	1/2008	Carreno	D7/510
D559,624 S *	1/2008	Carreno	D7/534
D563,225 S *	3/2008	Mongeon et al.	D9/516
D579,722 S *	11/2008	Sakulsacha et al.	D7/510
D584,109 S *	1/2009	Krog	D7/608
D593,372 S *	6/2009	Carreno	D7/629
7,562,789 B2 *	7/2009	Randolph et al.	220/710.5
D609,521 S *	2/2010	Holsinger	D7/313
D619,851 S *	7/2010	Miller et al.	D7/510
D622,089 S *	8/2010	Daniel et al.	D7/313
2005/0098567 A1 *	5/2005	Randolph	220/710.5
2009/0308373 A1 *	12/2009	Scott et al.	126/25 R

* cited by examiner

Primary Examiner — Elizabeth J Oswecki

(74) *Attorney, Agent, or Firm* — Dennison, Schultz & MacDonald

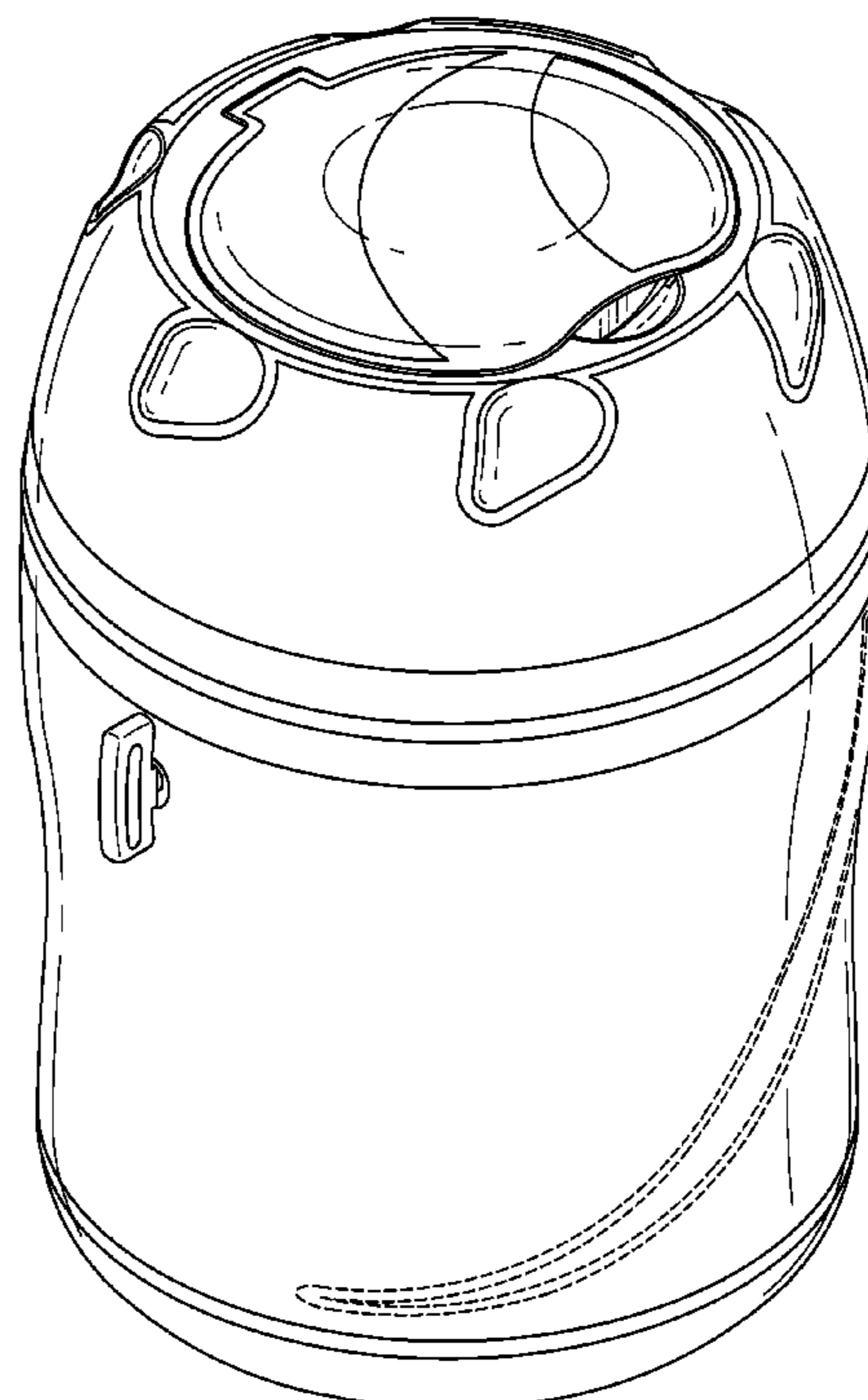
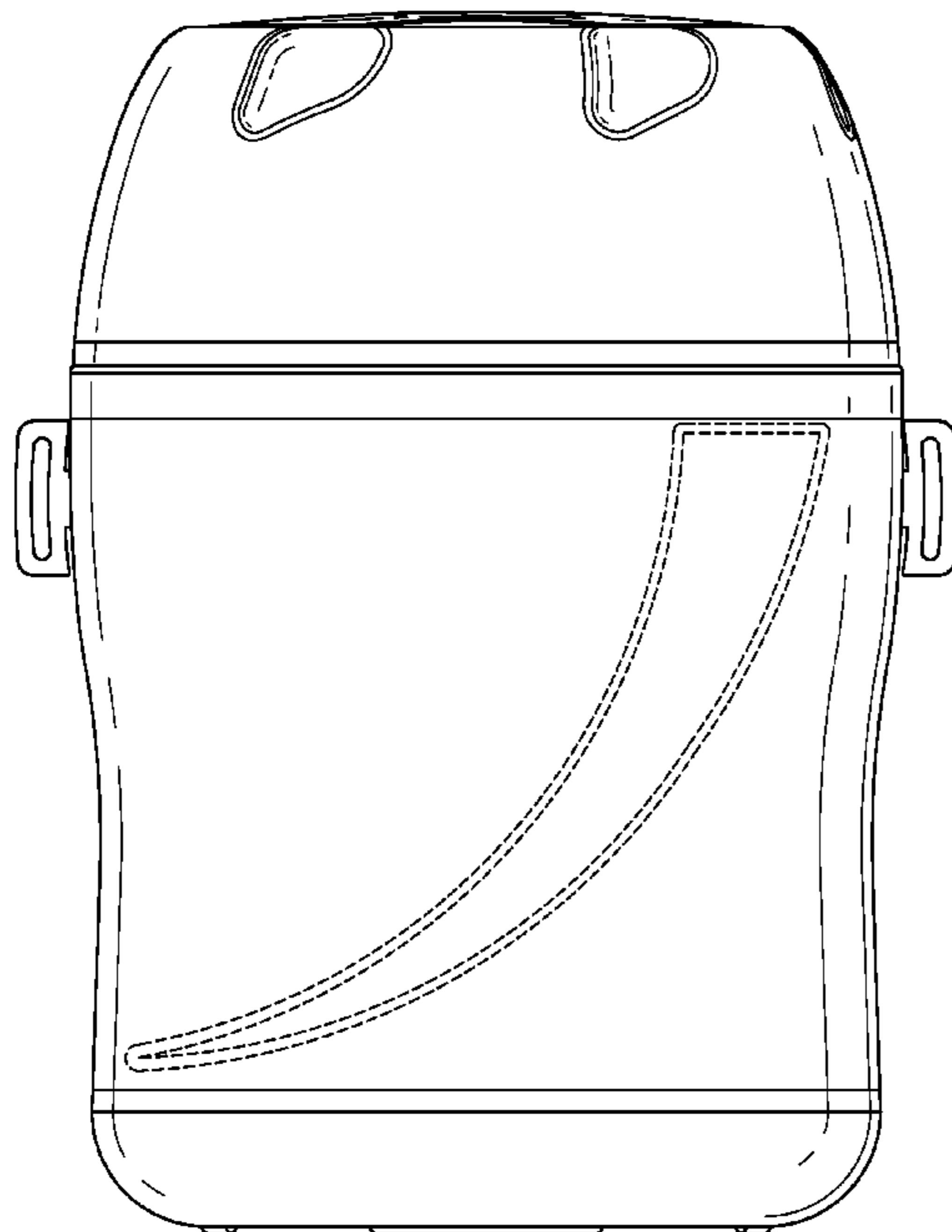
(57) **CLAIM**

The ornamental design for a thermal container, as shown and described.

DESCRIPTION

FIG. 1 is a front elevational view of a thermal container showing my new design;
 FIG. 2 is a rear elevational view thereof;
 FIG. 3 is a right elevational view thereof;
 FIG. 4 is a left elevational view thereof;
 FIG. 5 is a top plan view thereof;
 FIG. 6 is a bottom plan view thereof; and,
 FIG. 7 is a front left perspective view thereof.
 Portions of the design shown in broken lines form no part of the claimed design.

1 Claim, 7 Drawing Sheets



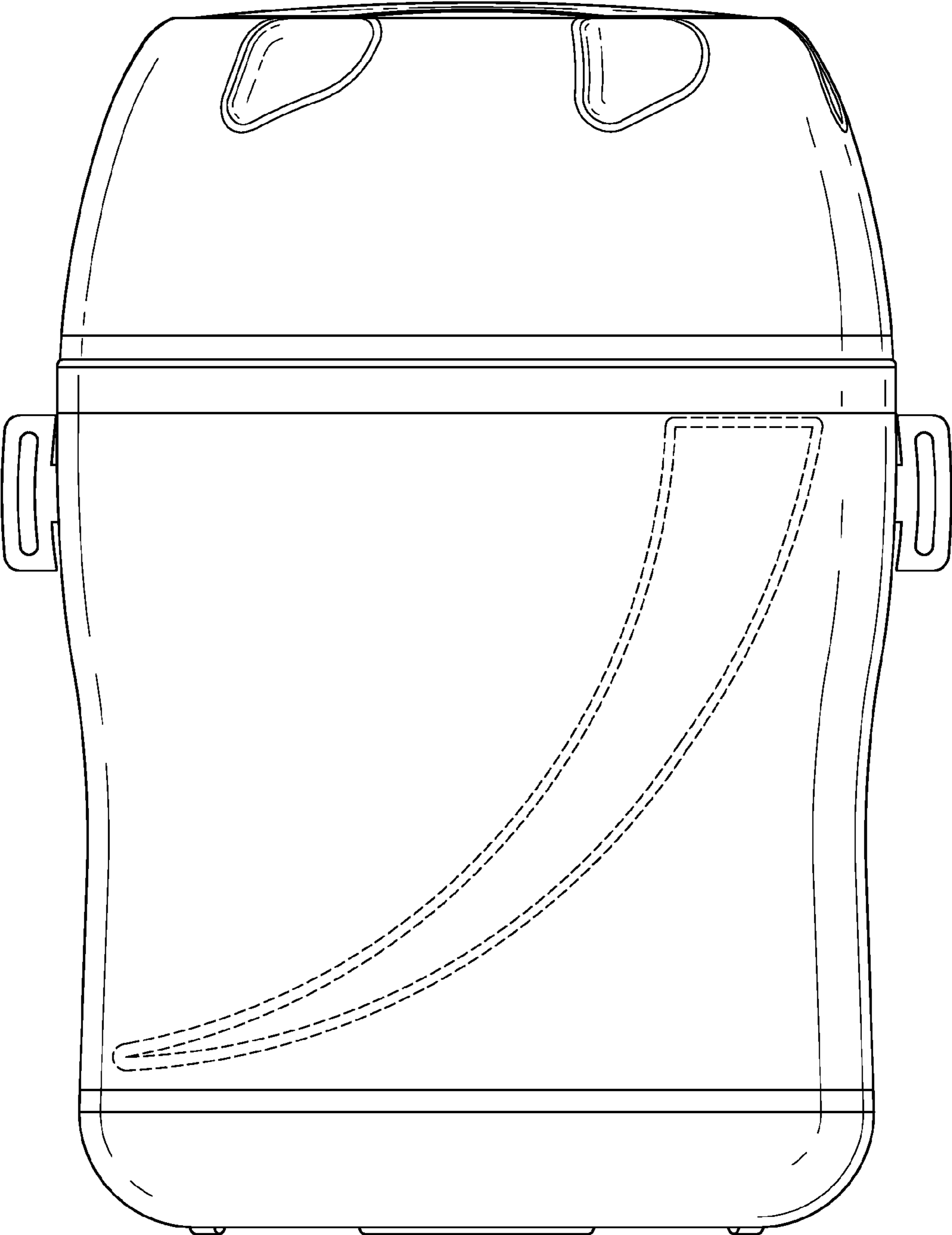


FIG. 1

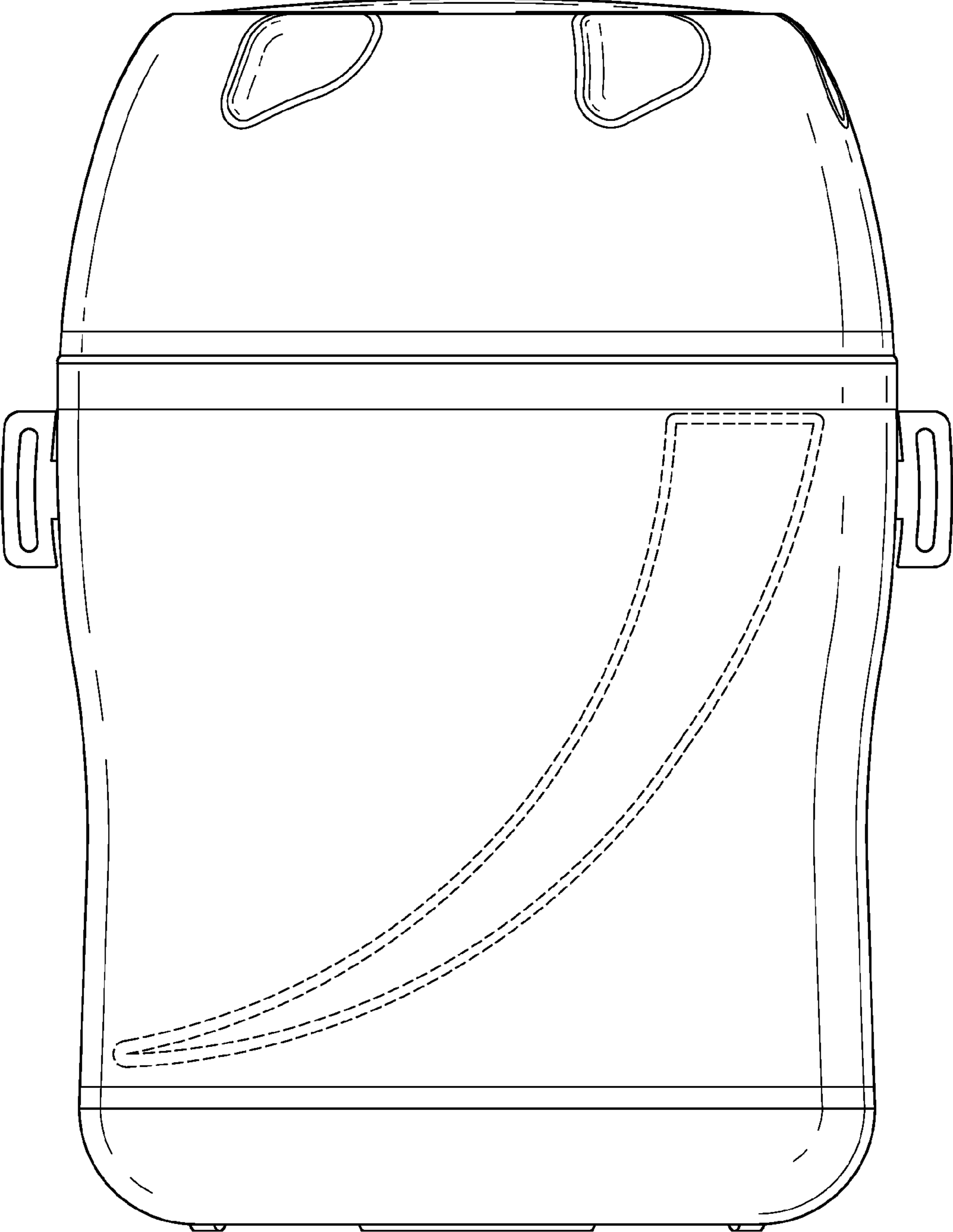


FIG. 2

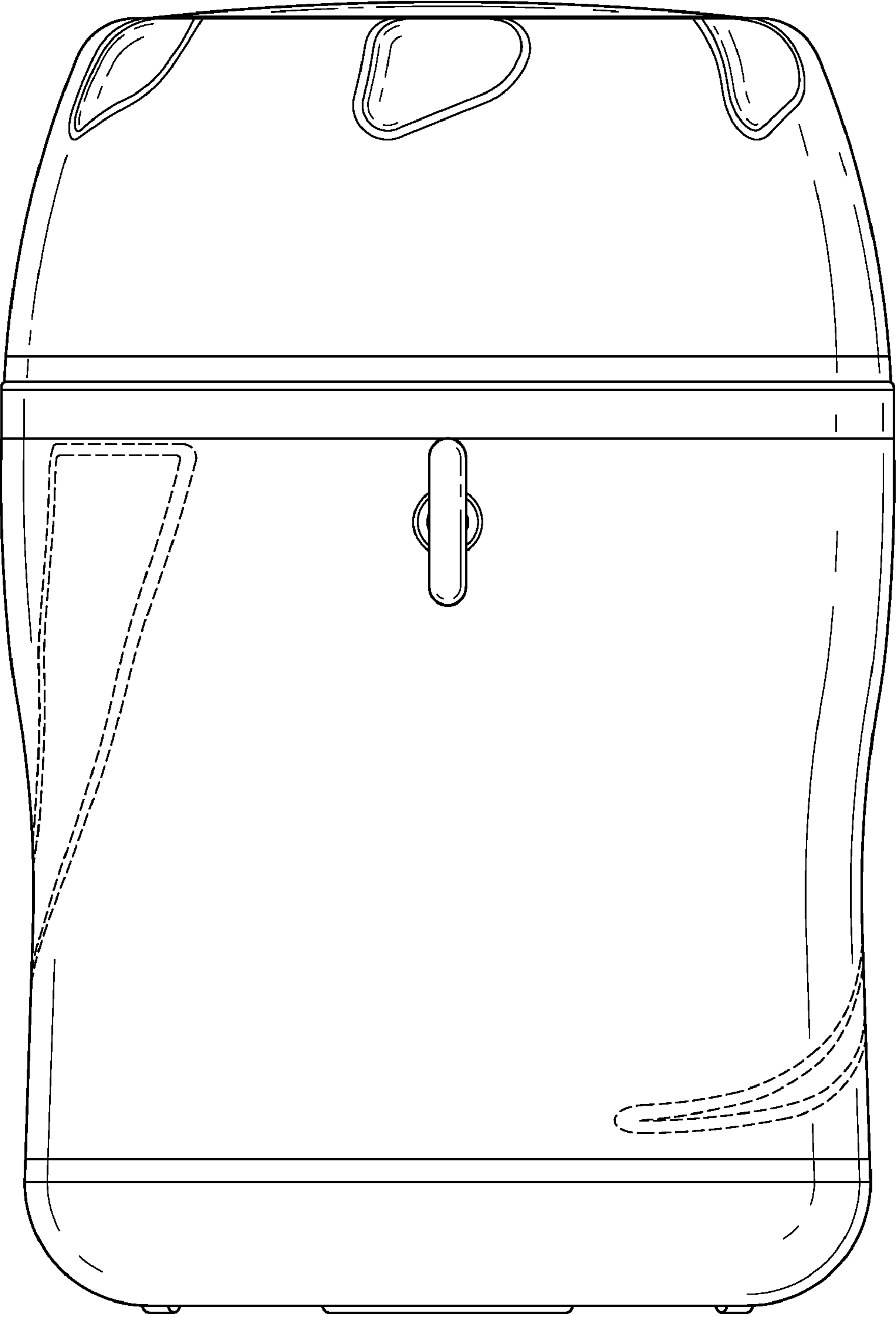


FIG. 3

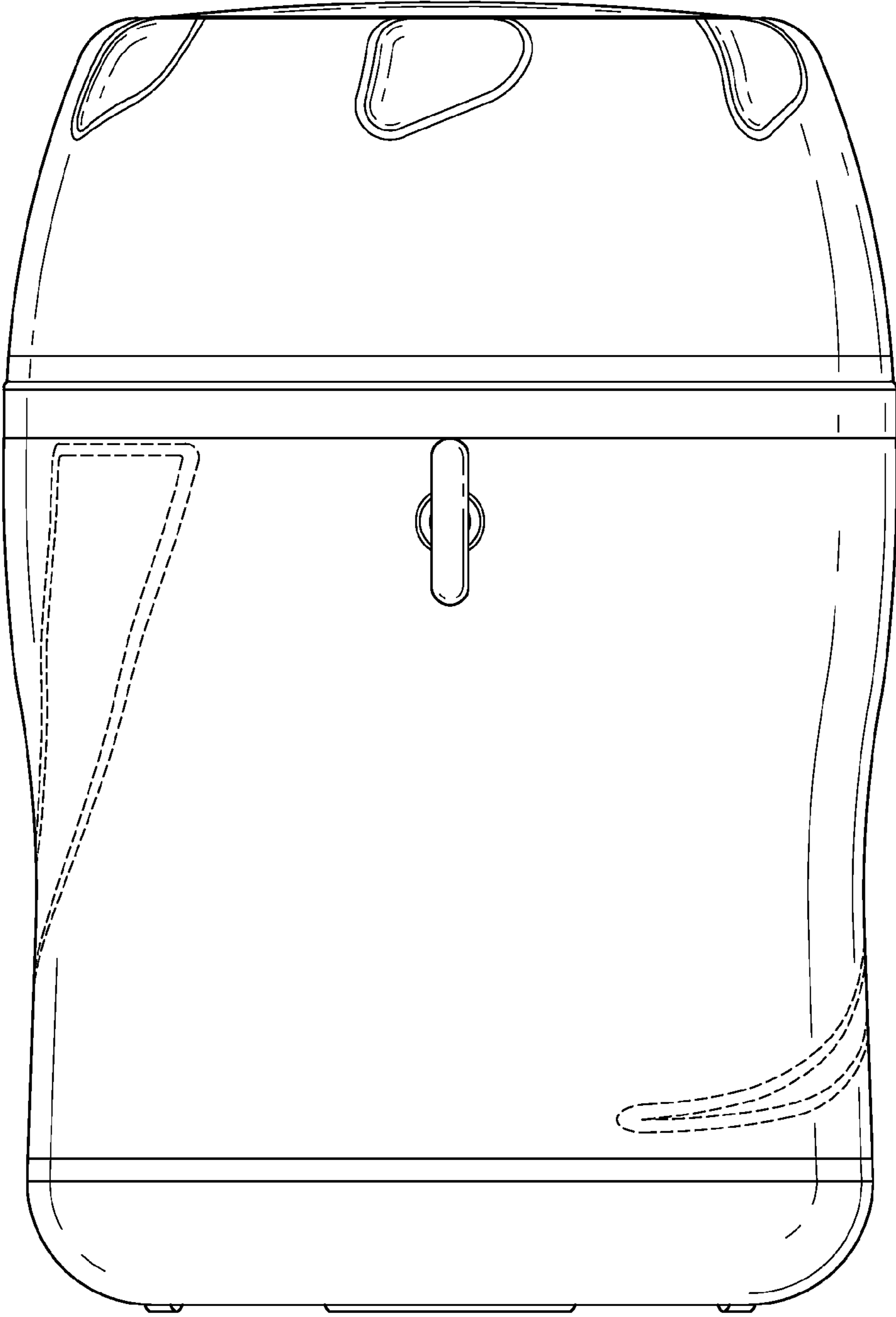


FIG. 4

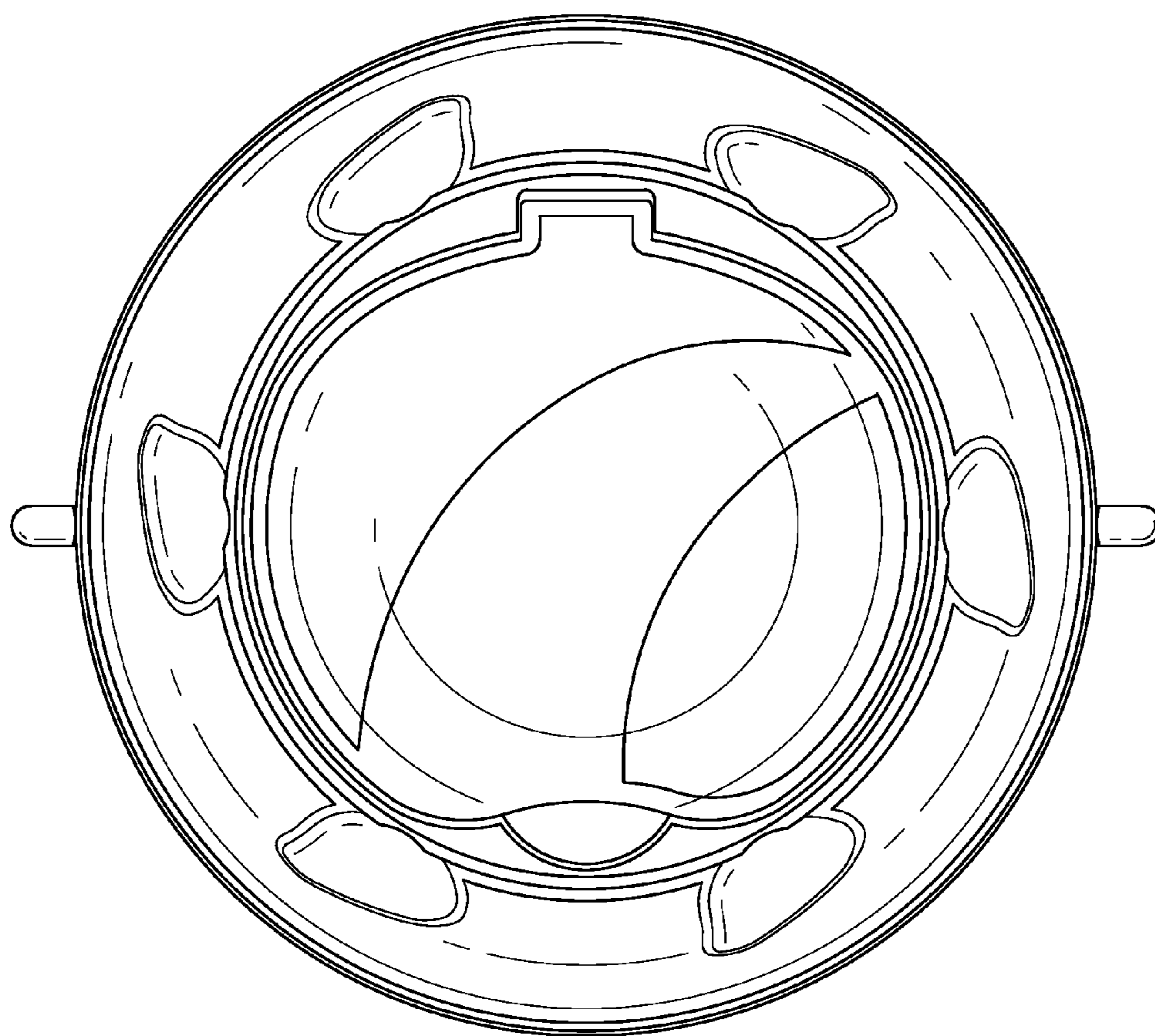


FIG. 5

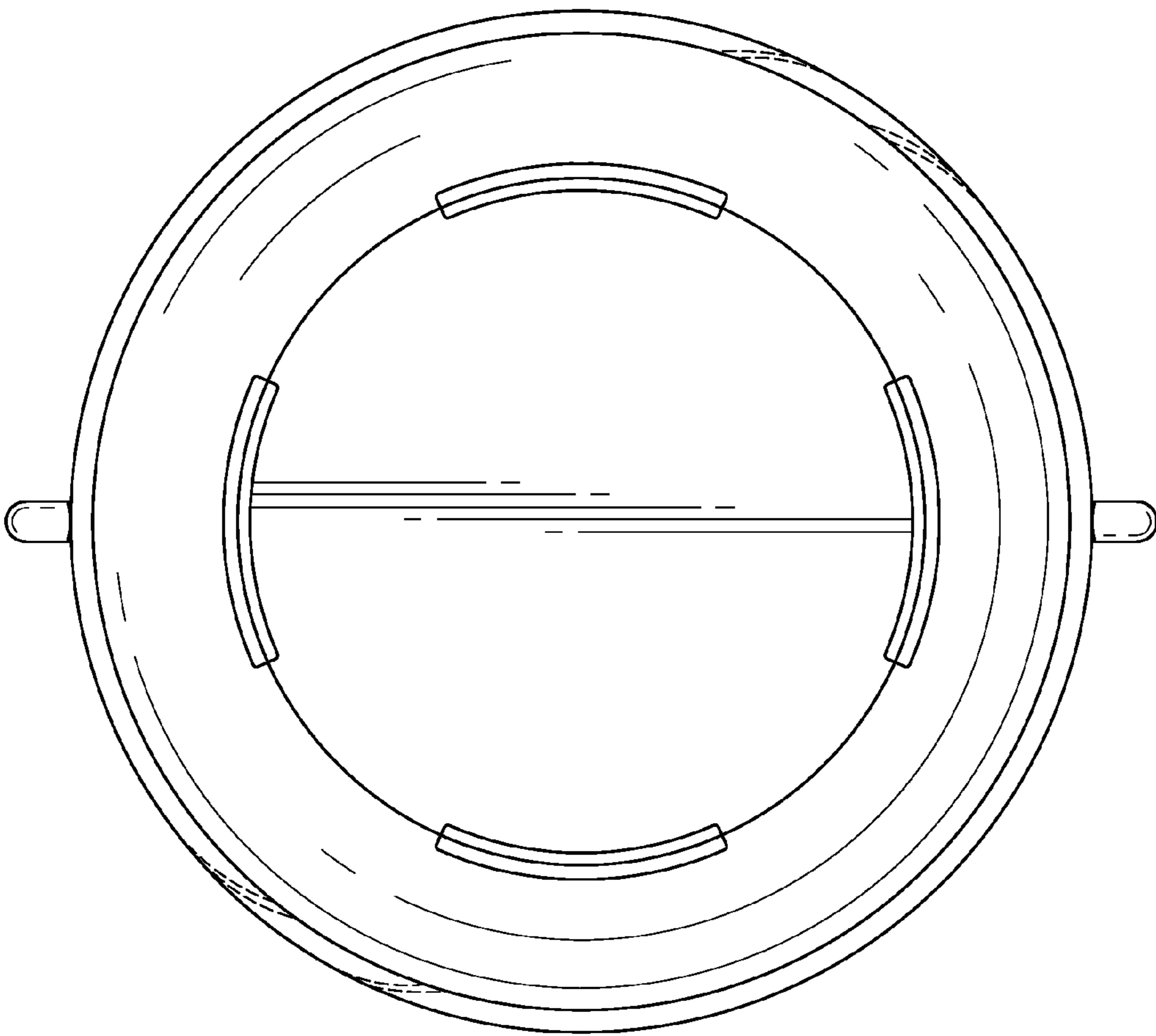


FIG. 6

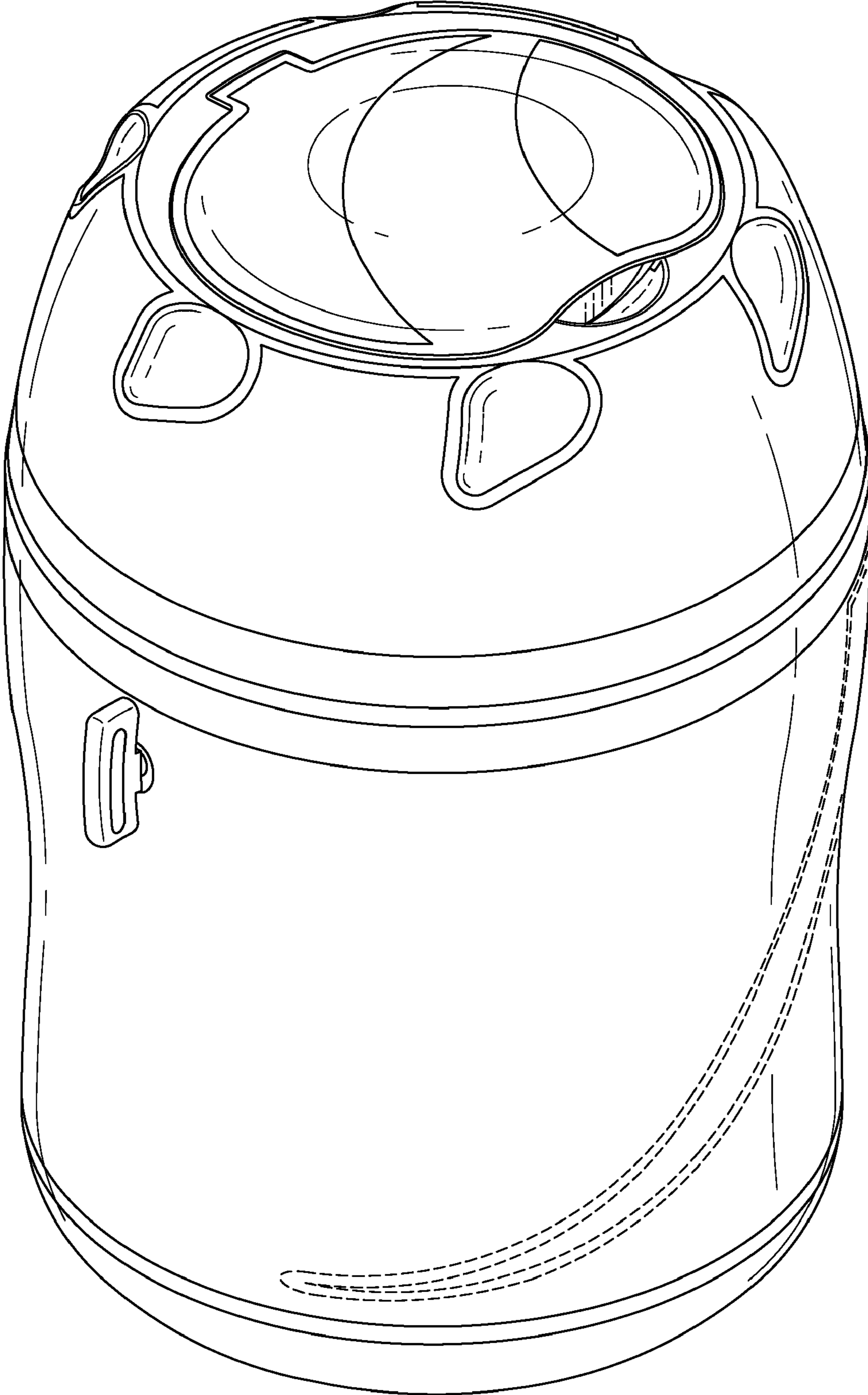


FIG. 7