

US00D653085S

(12) **United States Design Patent**
Swallow

(10) **Patent No.:** **US D653,085 S**
(45) **Date of Patent:** **** Jan. 31, 2012**

(54) **FOOD PLATE WITH BEVERAGE CONTAINER RECEIVING PORTION**

(76) Inventor: **Kevin W. Swallow**, Kansas City, MO (US)

(**) Term: **14 Years**

(21) Appl. No.: **29/373,725**

(22) Filed: **May 16, 2011**

(51) **LOC (9) Cl.** **07-01**

(52) **U.S. Cl.** **D7/566**

(58) **Field of Classification Search** D7/545, D7/586, 500, 543, 566, 620, 629, 552.1, 354, D7/584, 360, 361; 220/751, 23.4, 574; D9/432; D30/127

See application file for complete search history.

(56) **References Cited**

U.S. PATENT DOCUMENTS

757,645	A *	4/1904	Bassett	224/604
D135,524	S *	4/1943	Johnstone	D7/550.1
D154,671	S *	8/1949	Foley	D7/566
5,184,750	A	2/1993	Moller		
5,207,743	A	5/1993	Costarella et al.		
5,238,161	A	8/1993	Kimishima		
5,346,070	A	9/1994	McSpadden		
D352,367	S *	11/1994	Gryzlak	D30/123
5,551,593	A	9/1996	Wiens		
5,727,678	A	3/1998	Chen		
5,769,264	A	6/1998	Lipkowitz		
D402,509	S *	12/1998	Indekeu	D7/566
5,947,011	A	9/1999	Xu		
6,021,914	A	2/2000	Schmidt		
D430,458	S *	9/2000	Kellermann	D7/566
D473,757	S	4/2003	Schwartz		
6,609,625	B1	8/2003	Gibbar		

6,691,890	B1	2/2004	Persson		
6,702,141	B1	3/2004	Cinque		
7,000,799	B1	2/2006	Hamre		
D537,679	S *	3/2007	Majka	D7/566
7,284,675	B2	10/2007	Chang		
D559,615	S *	1/2008	Laib et al.	D7/387
D588,879	S *	3/2009	Brett	D7/698
D595,093	S	6/2009	McComas		
D610,408	S *	2/2010	Paolini	D7/566
D636,945	S *	4/2011	Anderson et al.	D30/129
2004/0099670	A1	5/2004	Michaeli		
2005/0161453	A1	7/2005	Corrieri		
2009/0152157	A1	6/2009	Schaaper et al.		
2010/0308059	A1	12/2010	Berg		

* cited by examiner

Primary Examiner — Cynthia Underwood

(74) *Attorney, Agent, or Firm* — Kenneth W. Iles

(57) **CLAIM**

The ornamental design for food plate with beverage container receiving portion, as shown and described.

DESCRIPTION

FIG. 1 is a top left-hand isometric view of the food plate with beverage container receiving portion showing my new design;

FIG. 2 is a bottom right-hand isometric view thereof;

FIG. 3 is an end view thereof as seen by looking downward from the top portion of FIG. 4;

FIG. 4 is a top view thereof;

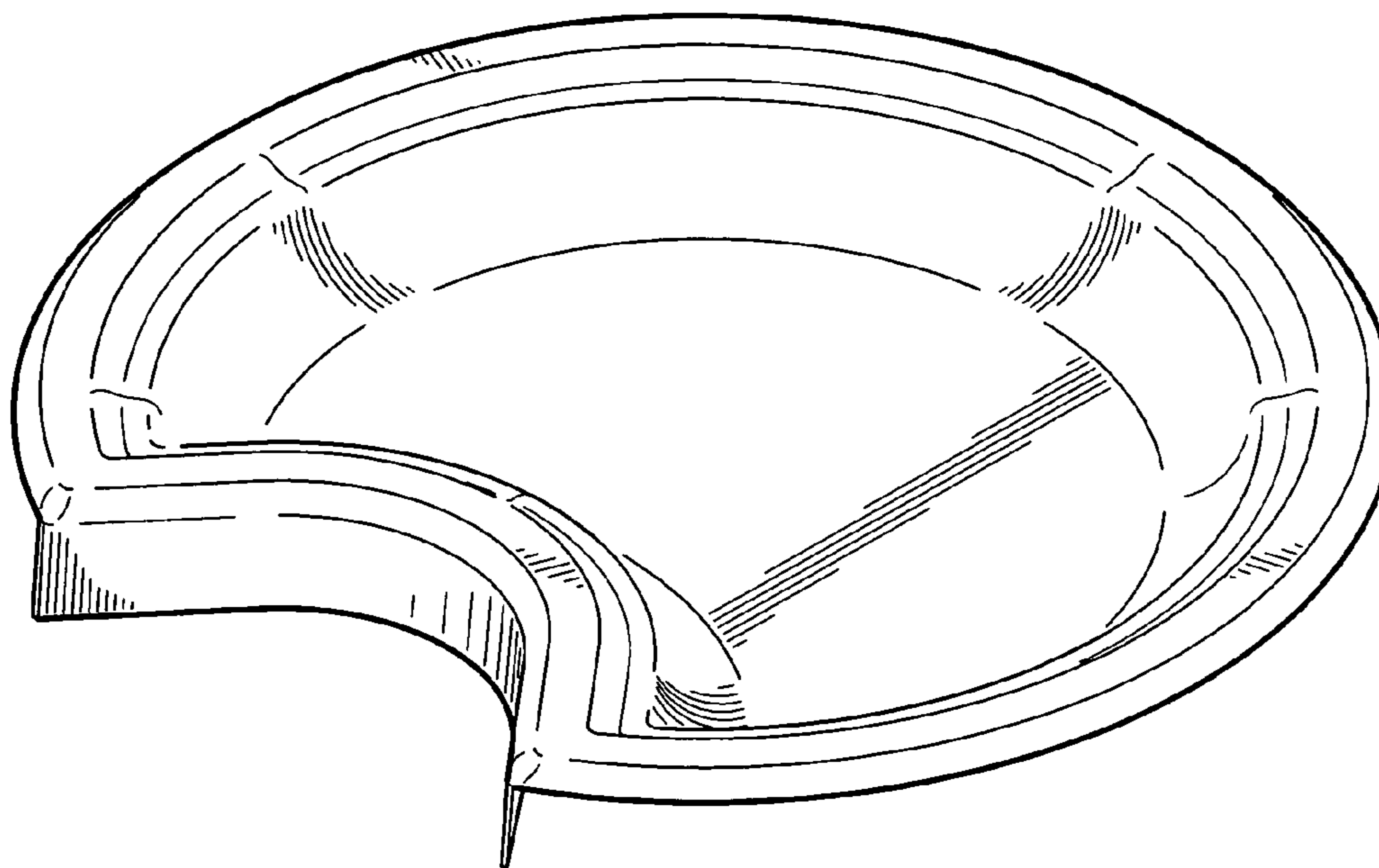
FIG. 5 is a bottom view thereof;

FIG. 6 is an end view thereof looking upward from the lower end of FIG. 5;

FIG. 7 is a left side view thereof; and,

FIG. 8 is a right side view thereof.

1 Claim, 5 Drawing Sheets



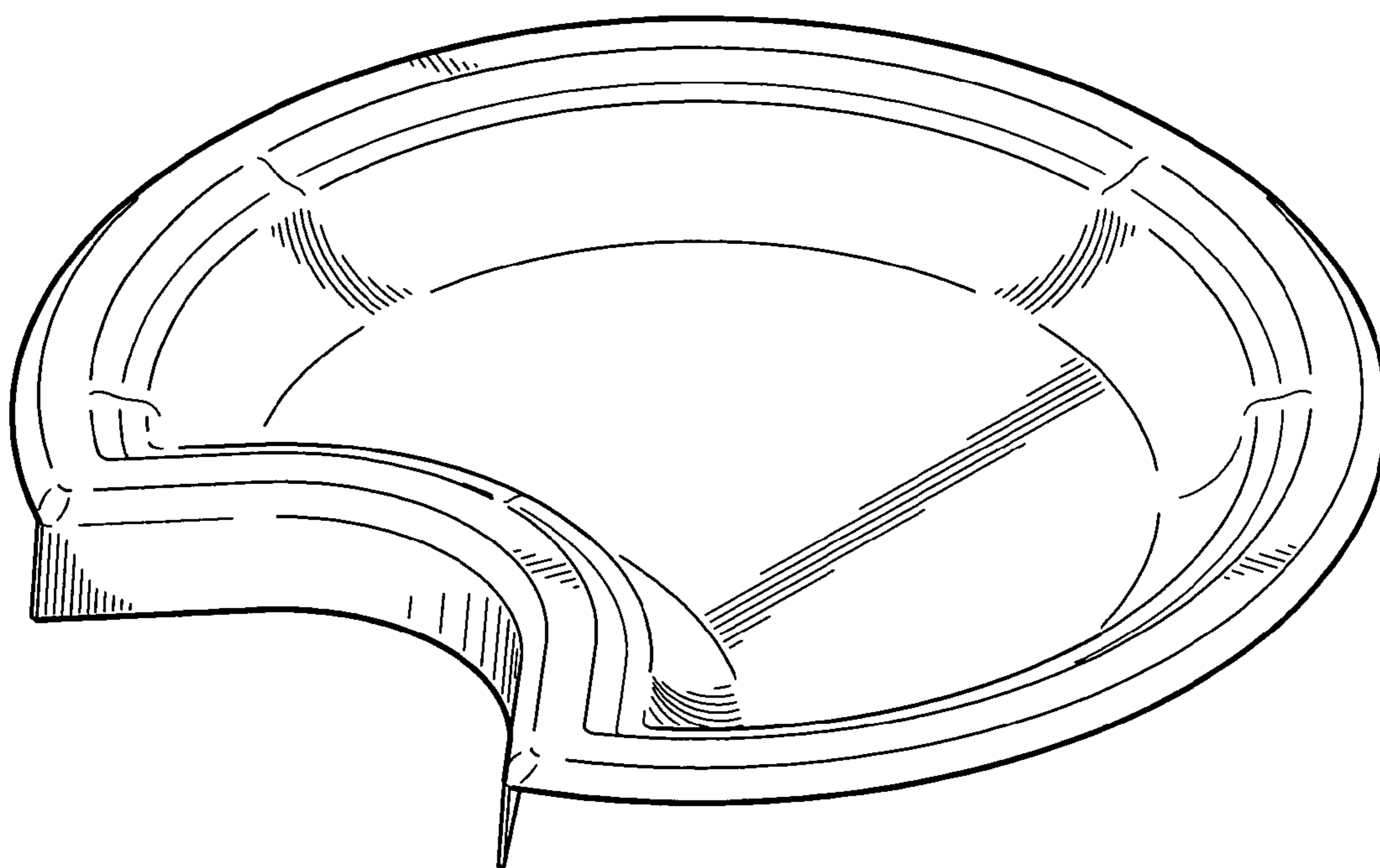


Fig. 1

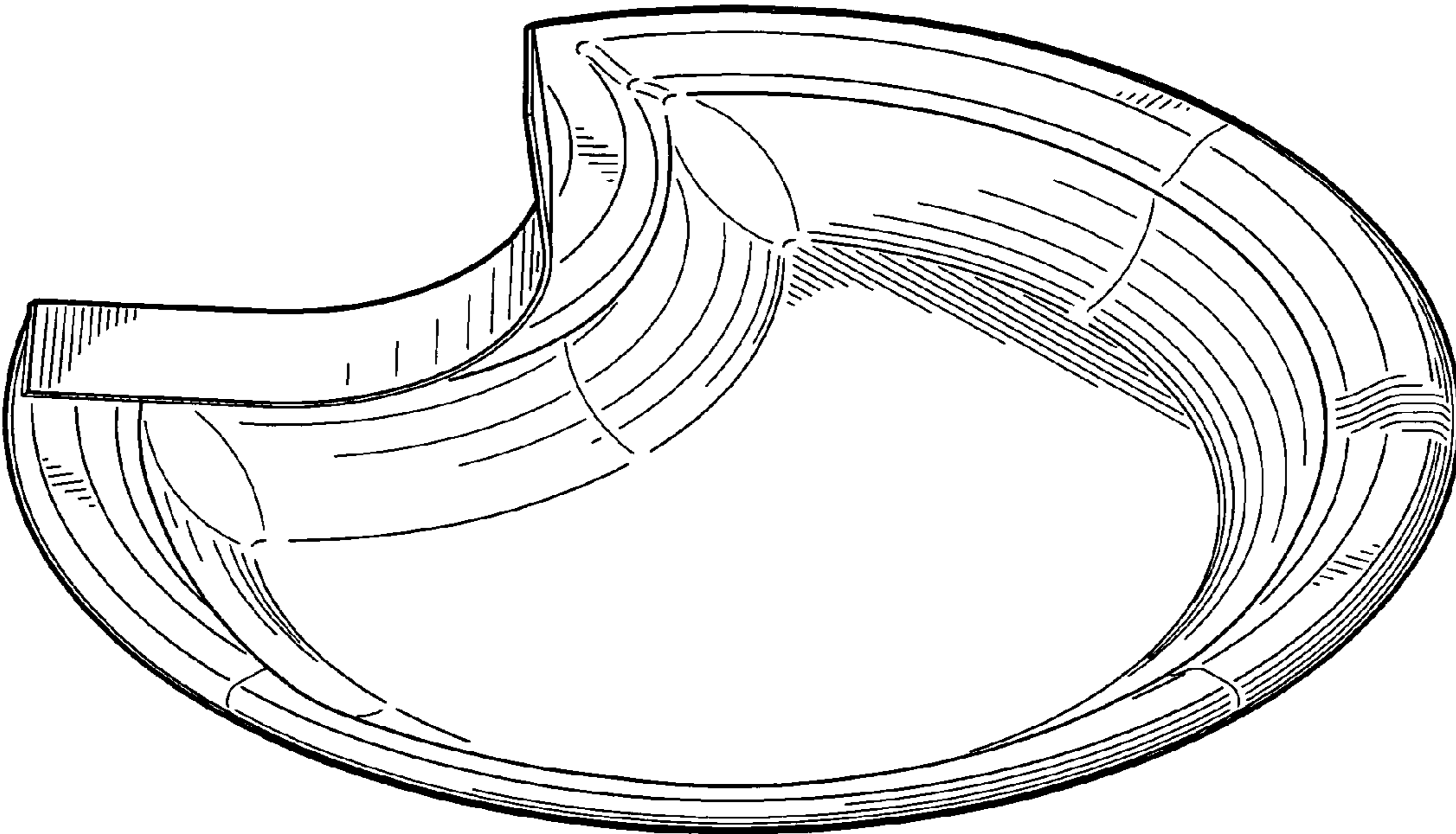


Fig. 2



Fig. 3

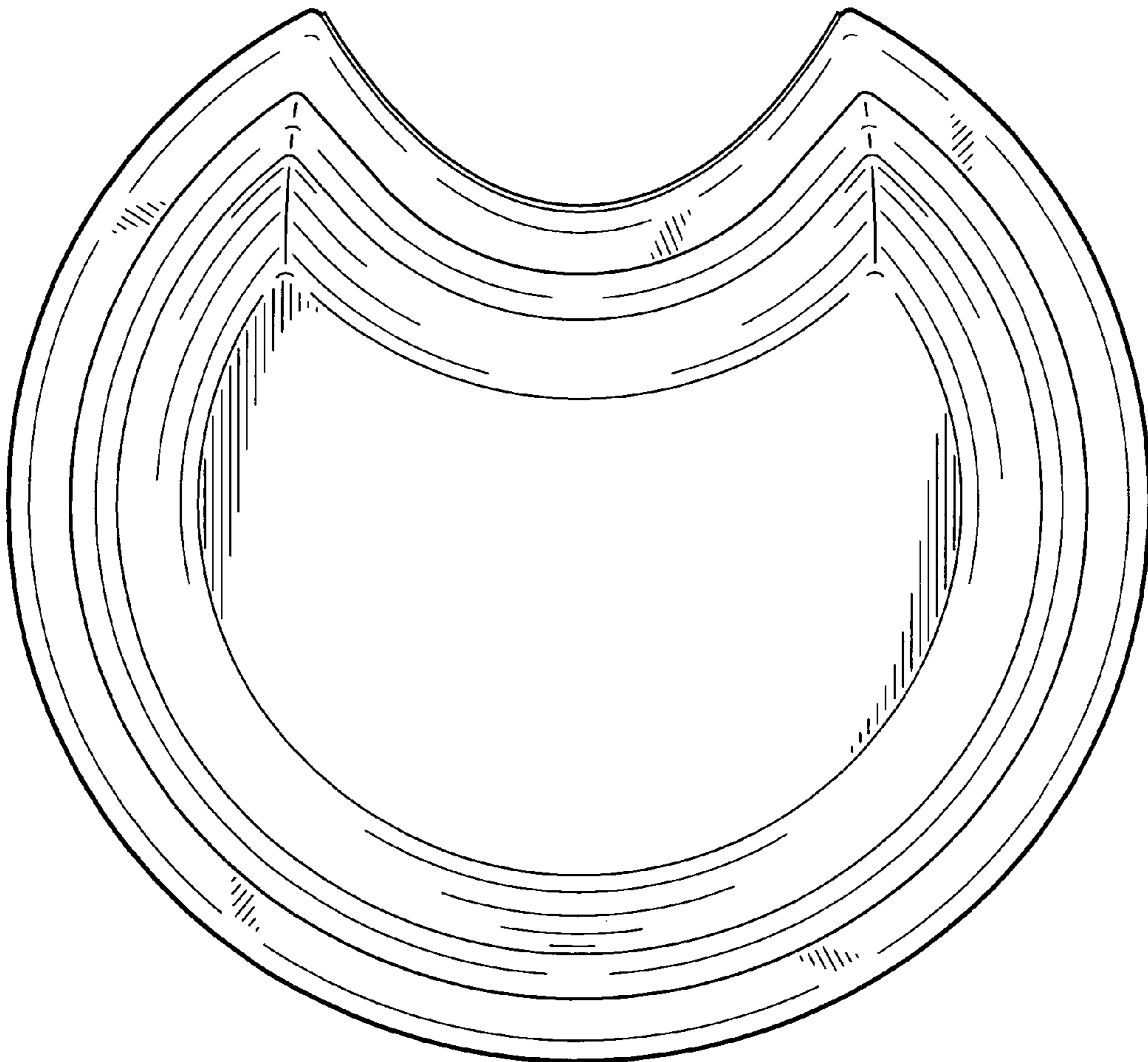


Fig. 4

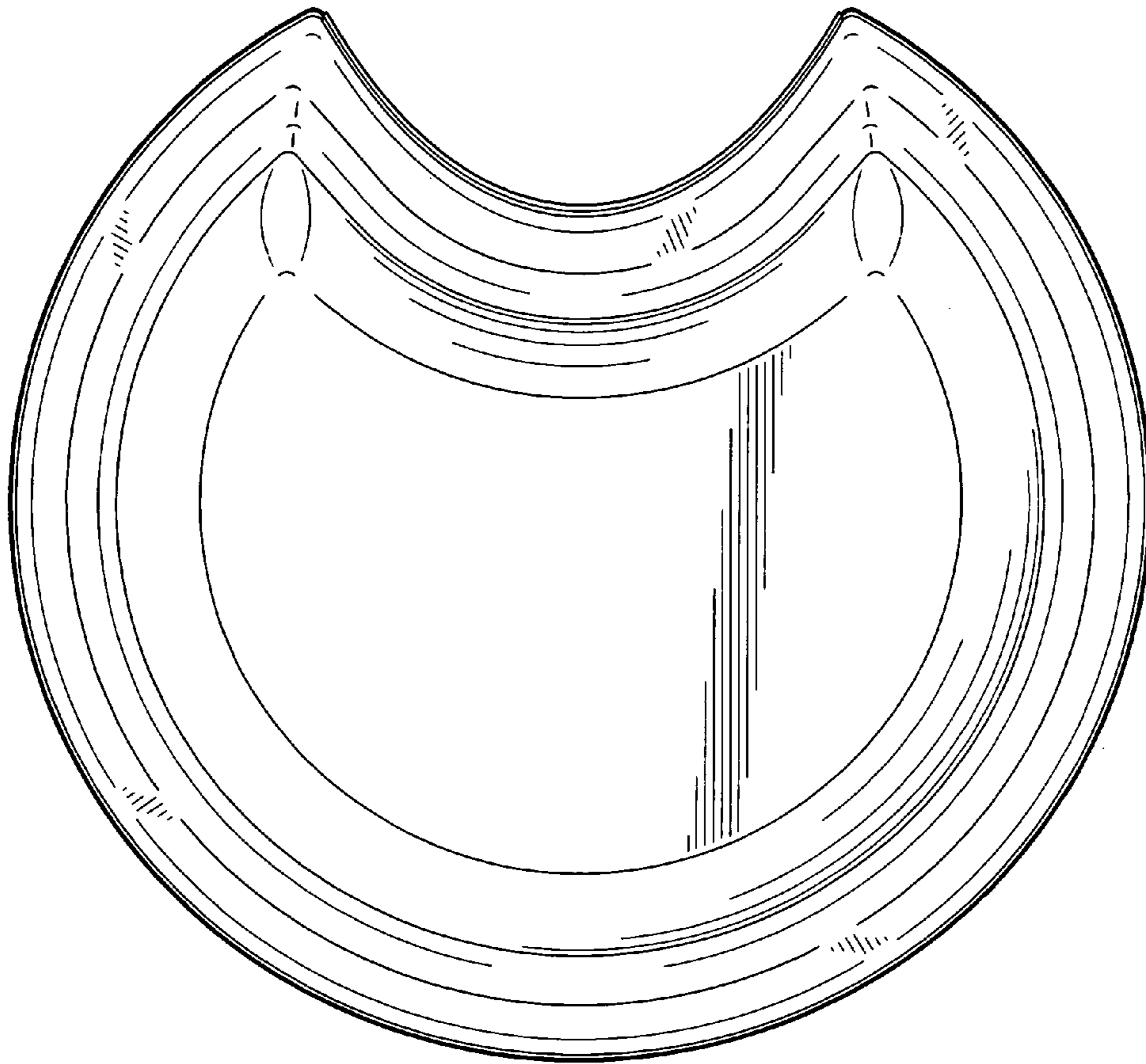


Fig. 5

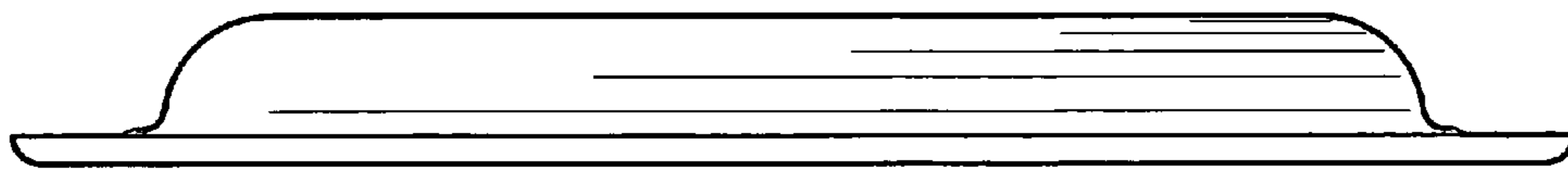


Fig. 6

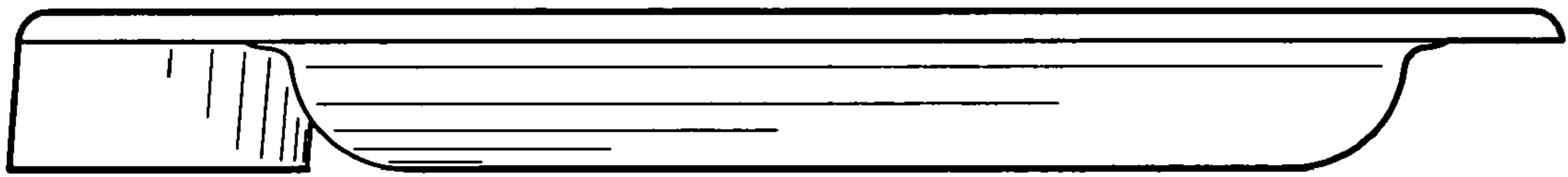


Fig. 7

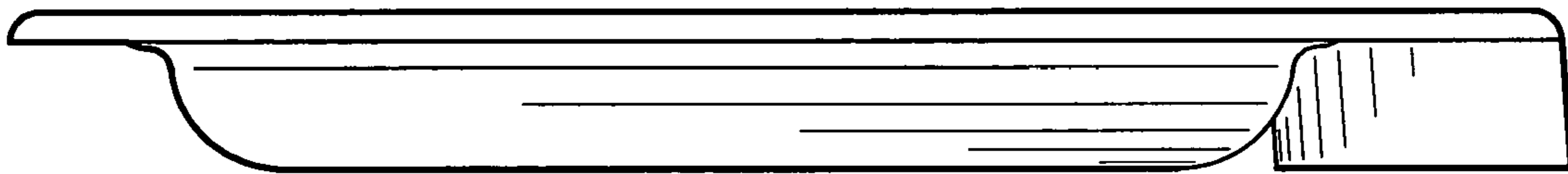


Fig. 8