



US00D653083S

(12) **United States Design Patent**  
**Hatcher et al.**

(10) **Patent No.:** **US D653,083 S**  
(45) **Date of Patent:** **\*\* Jan. 31, 2012**

(54) **FOOD TRAY**  
(75) Inventors: **Ashley Hatcher**, Columbus, GA (US);  
**B. Seth Sawyer**, Columbus, GA (US)  
(73) Assignee: **Masterbuilt Manufacturing, Inc.**,  
Columbus, GA (US)  
(\*\*) Term: **14 Years**  
(21) Appl. No.: **29/398,776**

D335,797 S 5/1993 DeGrow  
D338,374 S 8/1993 Jacobson  
5,368,183 A 11/1994 Singer  
D363,857 S 11/1995 Sussman  
5,497,885 A 3/1996 Sussman  
D374,798 S 10/1996 Pippins, Jr.  
5,580,037 A 12/1996 Gore  
D379,135 S 5/1997 Vina  
D399,095 S 10/1998 Schmidt  
6,029,843 A 2/2000 Kroscher et al.  
D423,290 S 4/2000 Green  
D426,110 S 6/2000 Schmidt

(Continued)

(22) Filed: **Aug. 4, 2011**  
(51) **LOC (9) Cl.** ..... **07-01**  
(52) **U.S. Cl.** ..... **D7/553.5**  
(58) **Field of Classification Search** ..... D7/553.4–553.5,  
D7/553.1–553.3, 550.1, 554.1–554.2, 555,  
D7/552.1, 553.8, 396.1, 701; 220/500, 527,  
220/553, 555–557, 574–575, 795.03  
See application file for complete search history.

**FOREIGN PATENT DOCUMENTS**

FR 2 653 705 5/1991  
(Continued)

**OTHER PUBLICATIONS**

Notification of Transmittal of the International Search Report and the  
Written Opinion of the International Searching Authority, or the  
Declaration, dated Jul. 23, 2008.

(56) **References Cited**

**U.S. PATENT DOCUMENTS**

224,632 A 2/1880 Berry  
2,878,932 A 3/1959 Martire  
D195,984 S 8/1963 White  
3,231,718 A 1/1966 Vasile  
3,305,124 A 2/1967 Whiteford  
D216,869 S 3/1970 Britt  
3,808,084 A 4/1974 Doty  
D235,301 S 6/1975 Mountain, Jr. et al.  
D242,515 S 11/1976 Shumrak  
4,005,745 A 2/1977 Colato et al.  
4,019,022 A 4/1977 Seider et al.  
4,093,041 A 6/1978 Davis  
4,194,109 A 3/1980 Springer  
D255,527 S 6/1980 Seager  
D264,514 S 5/1982 Kordan  
D270,506 S 9/1983 Thorne  
4,737,390 A 4/1988 Fricano et al.  
4,744,597 A 5/1988 Bauman et al.  
D300,496 S 4/1989 Childress  
D326,798 S 6/1992 Grossman et al.  
D335,796 S 5/1993 Barnes

*Primary Examiner* — Elizabeth Albert  
*Assistant Examiner* — Kelley Donnelly  
(74) *Attorney, Agent, or Firm* — Hunton & Williams LLP

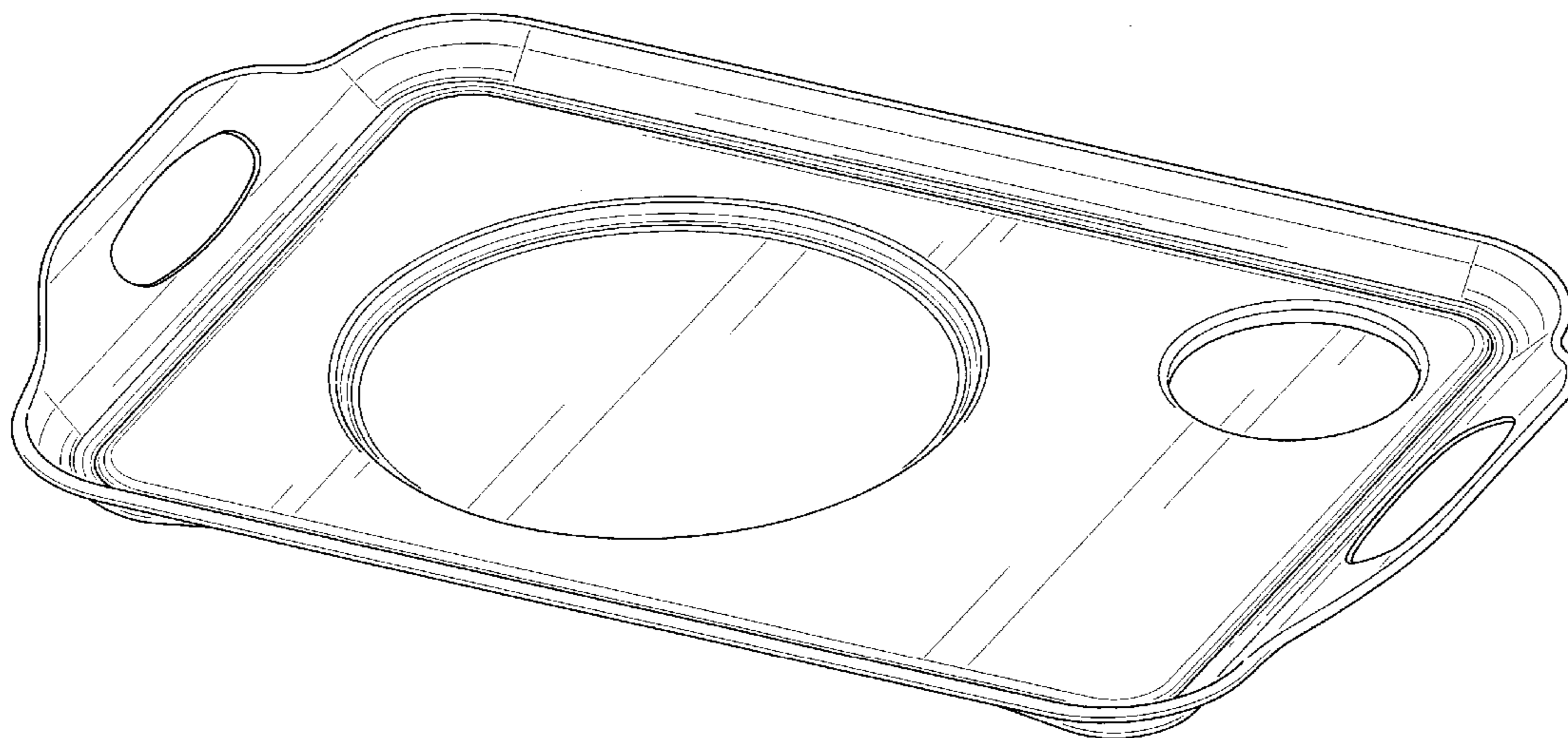
(57) **CLAIM**

The ornamental design for a food tray, as shown and  
described.

**DESCRIPTION**

FIG. 1 is a perspective view of a food tray incorporating the  
new design;  
FIG. 2 is a front view thereof;  
FIG. 3 is a rear view thereof;  
FIG. 4 is a side view thereof;  
FIG. 5 is an opposite side view thereof;  
FIG. 6 is a top plan view thereof; and,  
FIG. 7 is a bottom view thereof.

**1 Claim, 5 Drawing Sheets**



# US D653,083 S

Page 2

---

## U.S. PATENT DOCUMENTS

D433,283 S 11/2000 Thomas  
D451,347 S 12/2001 Kleckauskas et al.  
D470,712 S 2/2003 Swinford et al.  
D472,767 S 4/2003 Gebhardt et al.  
6,814,235 B2 11/2004 Wang  
D505,833 S 6/2005 Ahearn  
D526,851 S \* 8/2006 Groff et al. .... D7/552.1  
D545,523 S 6/2007 Goldberg et al.  
D547,597 S 7/2007 Levy et al.  
D560,099 S 1/2008 Hatcher  
D575,989 S \* 9/2008 McFarland ..... D7/554.3  
D576,449 S 9/2008 Boudewijns  
D581,203 S 11/2008 Simon et al.

D590,655 S 4/2009 Freeman  
D599,610 S 9/2009 Logan  
D604,099 S 11/2009 Mishan  
D608,150 S 1/2010 Lilly  
D623,902 S 9/2010 Henderson et al.  
D634,584 S 3/2011 Bergkvist  
D642,408 S 8/2011 Pirkel  
8,006,843 B1 \* 8/2011 McFarland ..... 206/511  
2003/0205645 A1 11/2003 Kaposi  
2004/0256280 A1 \* 12/2004 Meissen et al. .... 206/557

## FOREIGN PATENT DOCUMENTS

WO WO 94/14361 7/1994

\* cited by examiner

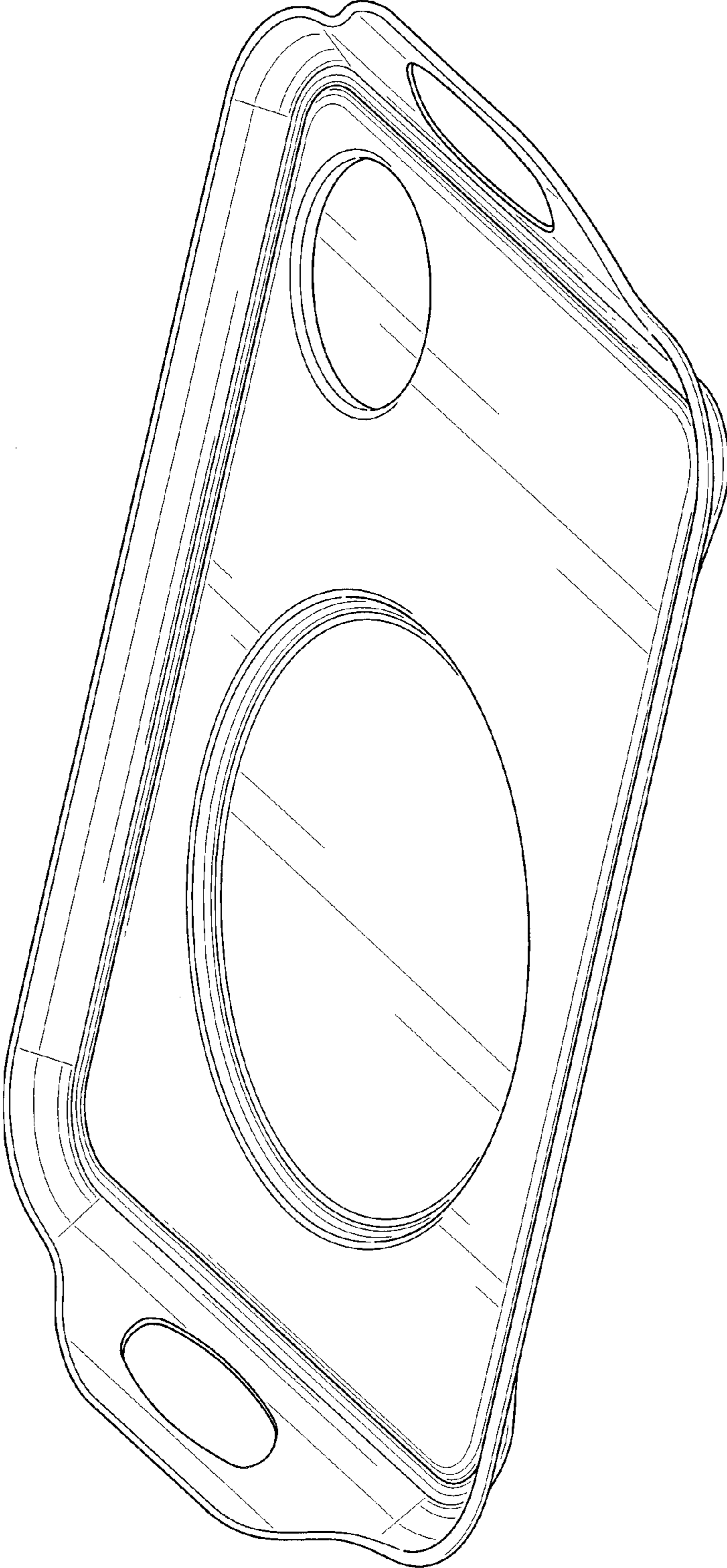


FIG. 1



FIG. 2

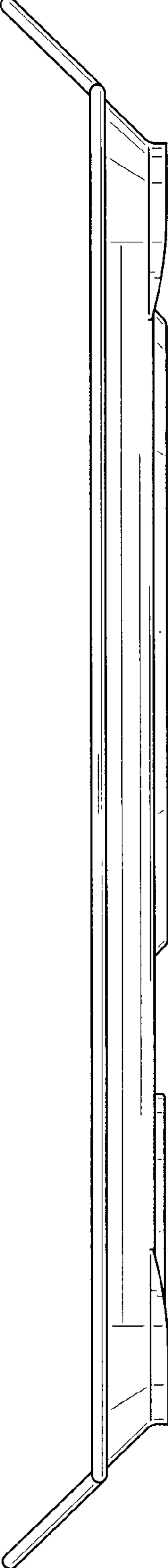


FIG. 3

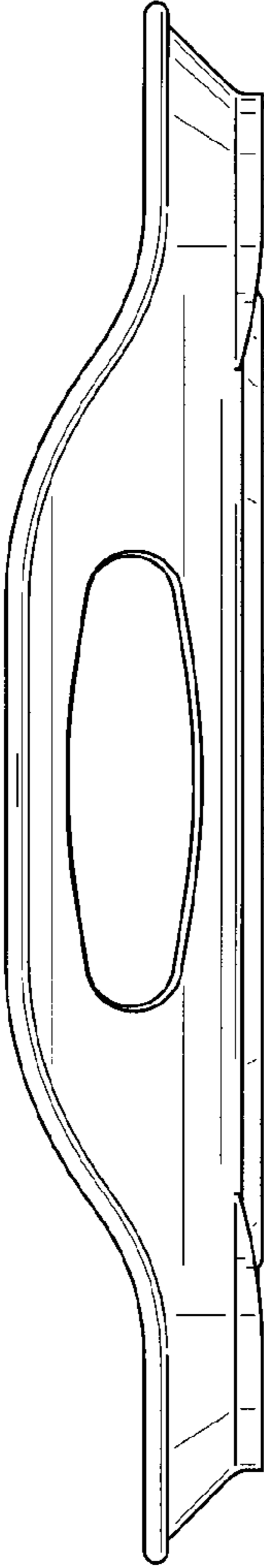


FIG. 4

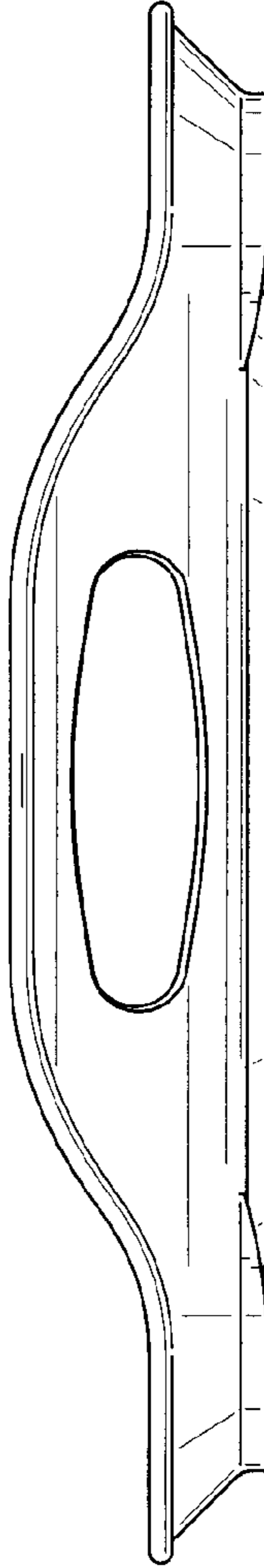


FIG. 5

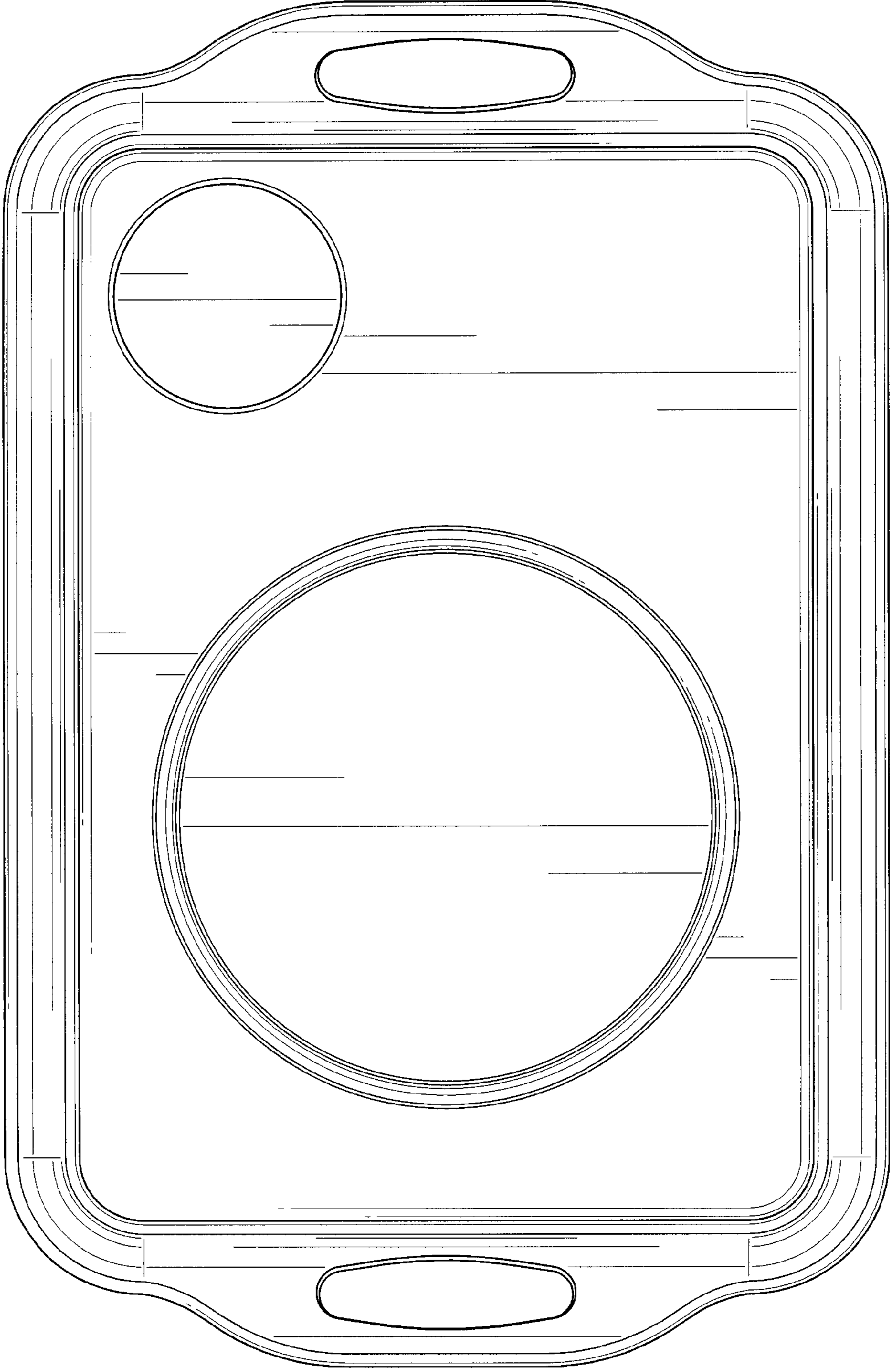


FIG. 6

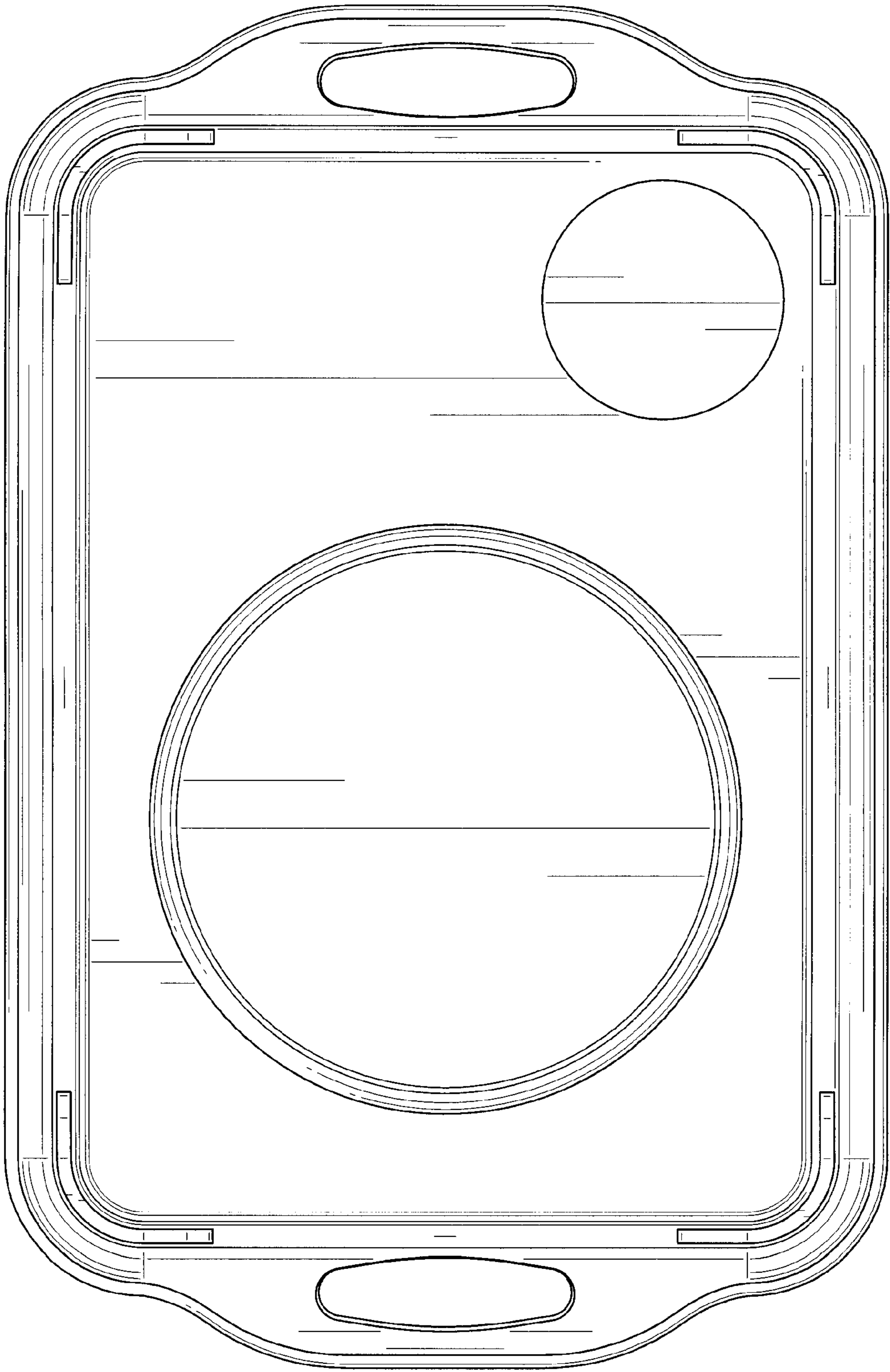


FIG. 7