



US00D653078S

(12) **United States Design Patent**  
**Cheng et al.**

(10) **Patent No.:** **US D653,078 S**  
(45) **Date of Patent:** **\*\* Jan. 31, 2012**

(54) **COOKWARE EXTENDING HANDLE HAVING  
A CONTRASTING EMBEDDED PORTION**

D569,682 S \* 5/2008 Prakasa ..... D7/393  
D630,057 S \* 1/2011 Rae ..... D7/395  
D630,889 S \* 1/2011 Rae ..... D7/395

(75) Inventors: **Stanley Kin Sui Cheng**, Hillsborough,  
CA (US); **Robert A. Rae**, Las Vegas, NV  
(US)

\* cited by examiner

*Primary Examiner* — Cynthia M Chin

(74) *Attorney, Agent, or Firm* — Edward S. Sherman

(73) Assignee: **Meyer Intellectual Properties Limited**  
(VG)

(57) **CLAIM**

The ornamental design for a cookware extending handle hav-  
ing a contrasting embedded portion, as shown and described.

(\*\*) Term: **14 Years**

**DESCRIPTION**

(21) Appl. No.: **29/372,419**

FIG. 1 is a perspective view of the “cookware extending  
handle having a contrasting embedded portion” showing my  
new design;

(22) Filed: **Nov. 16, 2010**

(51) **LOC (9) Cl.** ..... **07-02**

(52) **U.S. Cl.** ..... **D7/395**

(58) **Field of Classification Search** ..... D7/354–361,  
D7/393–395, 401.2, 664; D8/107, 300, 303,  
D8/307, 313, 321; D4/138, 129; 16/421,  
16/430, 431, 110.1, 407; 220/573.1–573.5,  
220/752, 753, 755, 756, 759, 767, 771, 912  
See application file for complete search history.

FIG. 2 is a right side elevational view thereof, the left side  
elevational view being a mirror image thereof;

FIG. 3 is a top plan view thereof;

FIG. 4 is a bottom plan view thereof;

FIG. 5 is a front elevational view thereof; and,

FIG. 6 is a back elevational view thereof.

The handle has an embedded metallic portion that contrasts  
the surrounding material that forms the greater part of the  
handle.

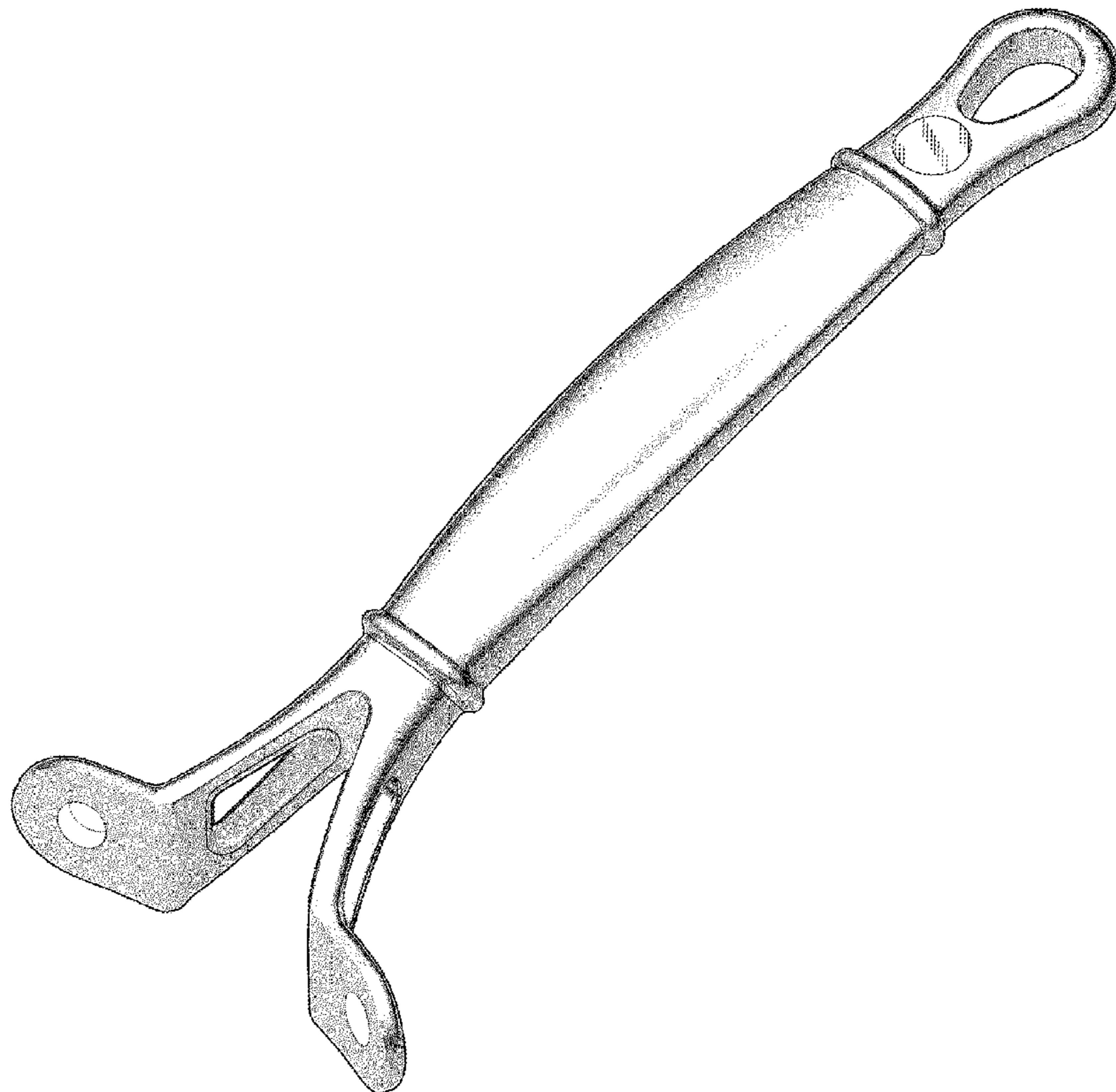
The broken lines in FIGS. 1, 2, 5 and 6 are for illustrative  
purposes only, depicting the environment of the new design,  
forming no part thereof as claimed.

(56) **References Cited**

**U.S. PATENT DOCUMENTS**

D420,888 S \* 2/2000 Yu ..... D8/107  
D503,585 S \* 4/2005 Tetreault et al. .... D7/395  
D565,347 S \* 4/2008 Rae ..... D7/395

**1 Claim, 3 Drawing Sheets**



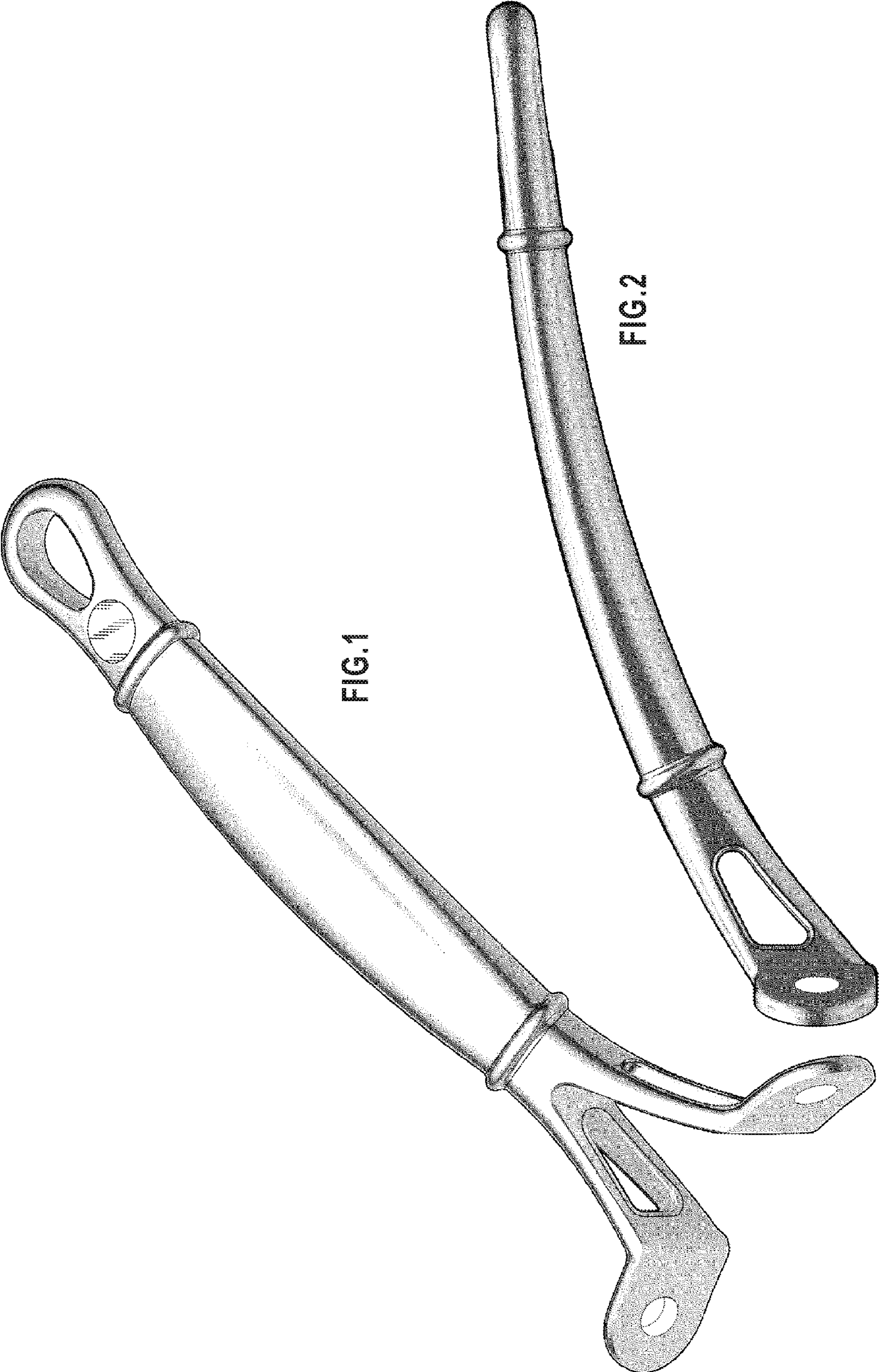


FIG.1

FIG.2

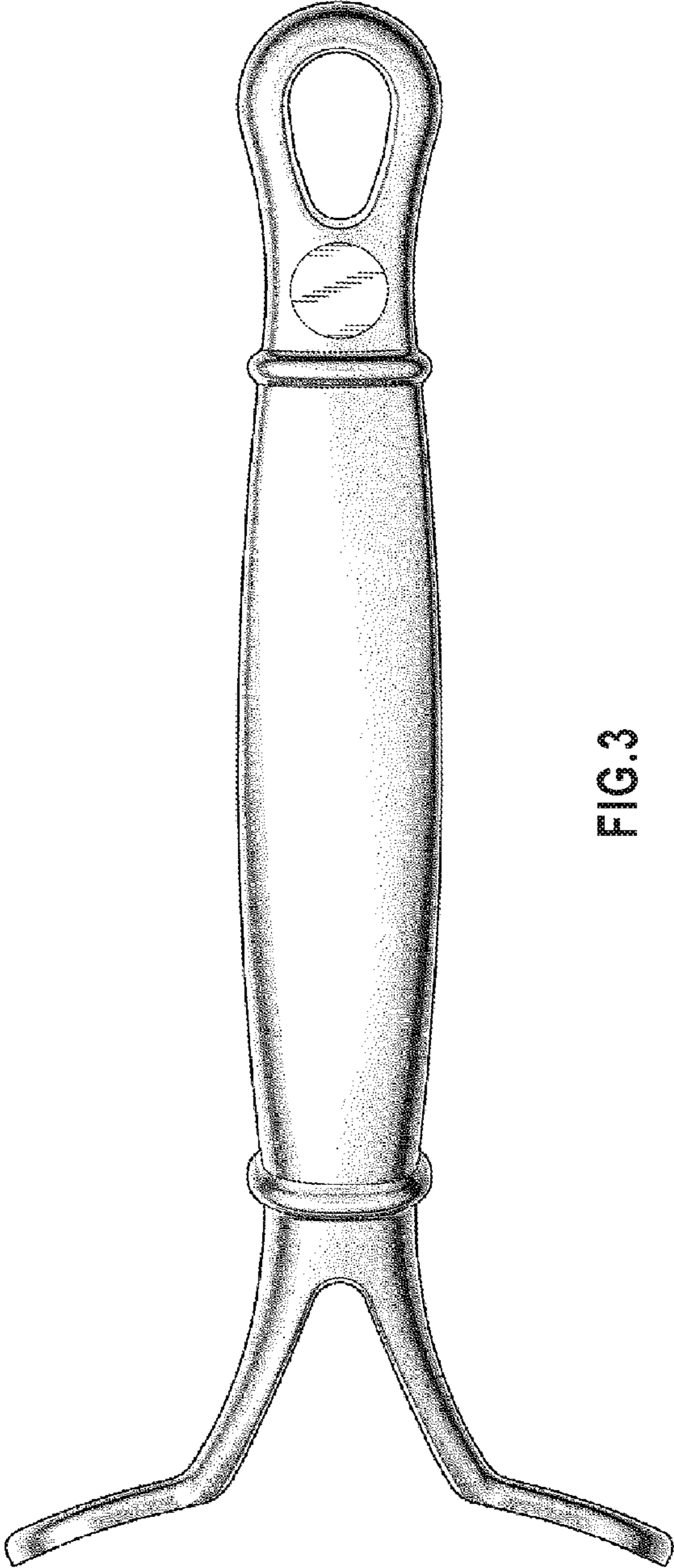


FIG.3

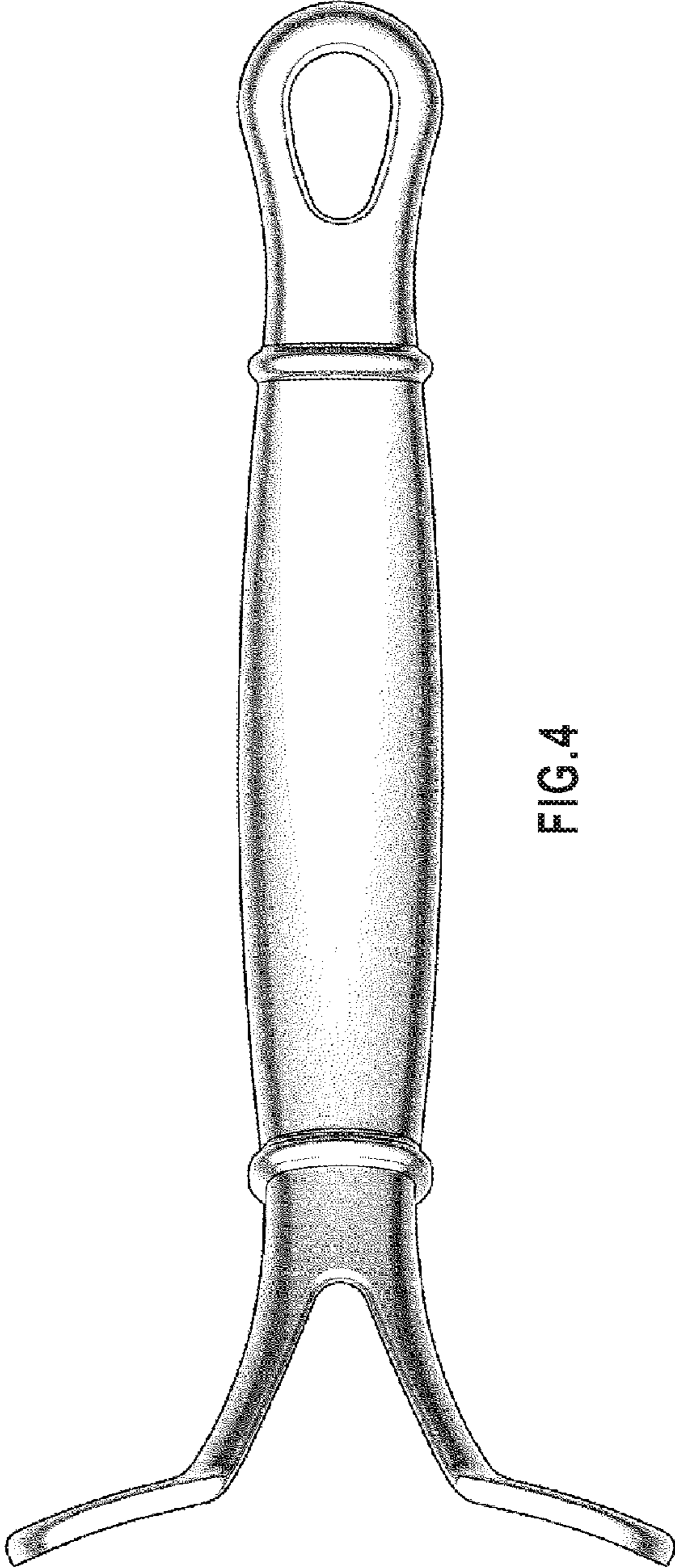


FIG.4

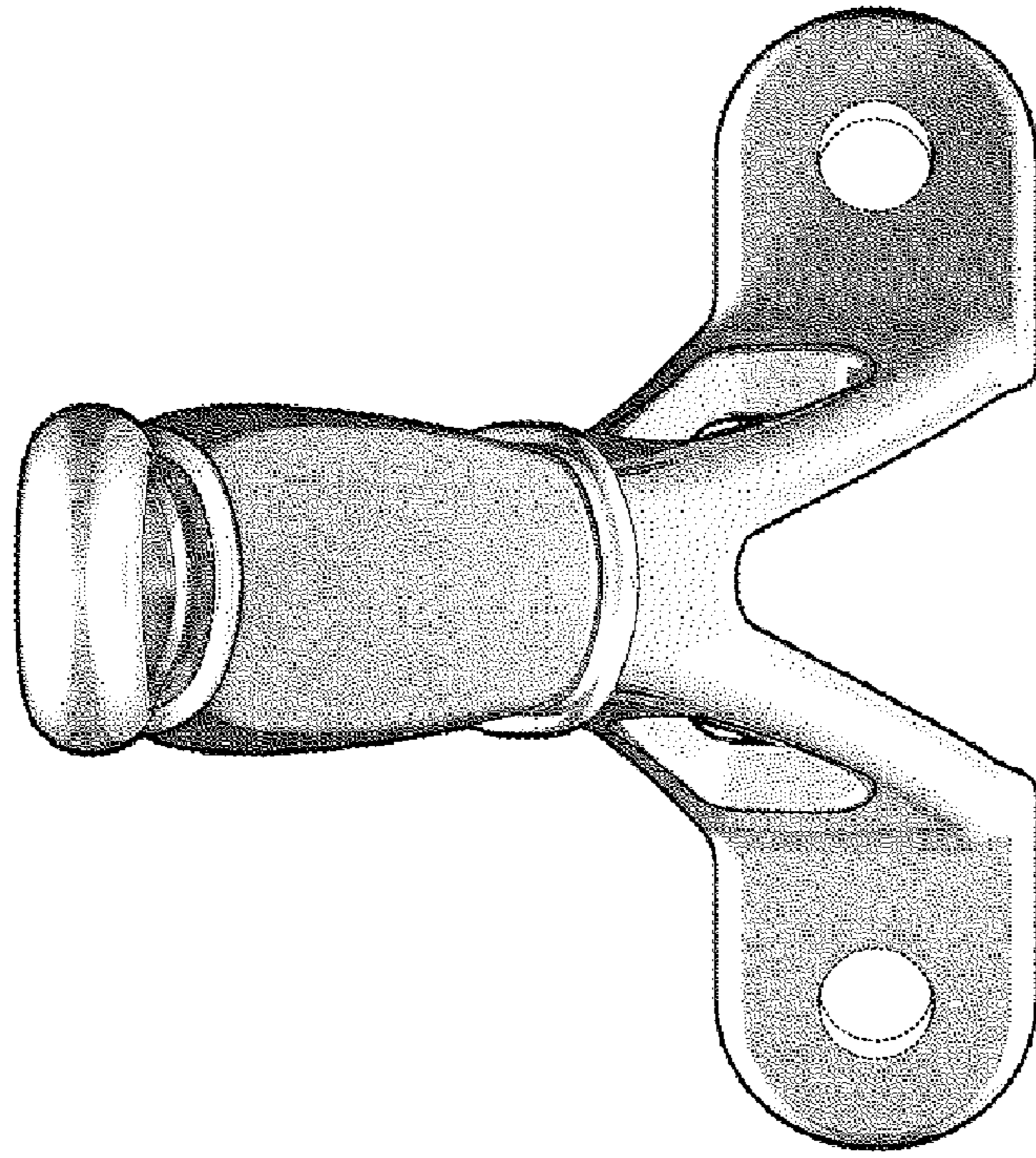


FIG. 5

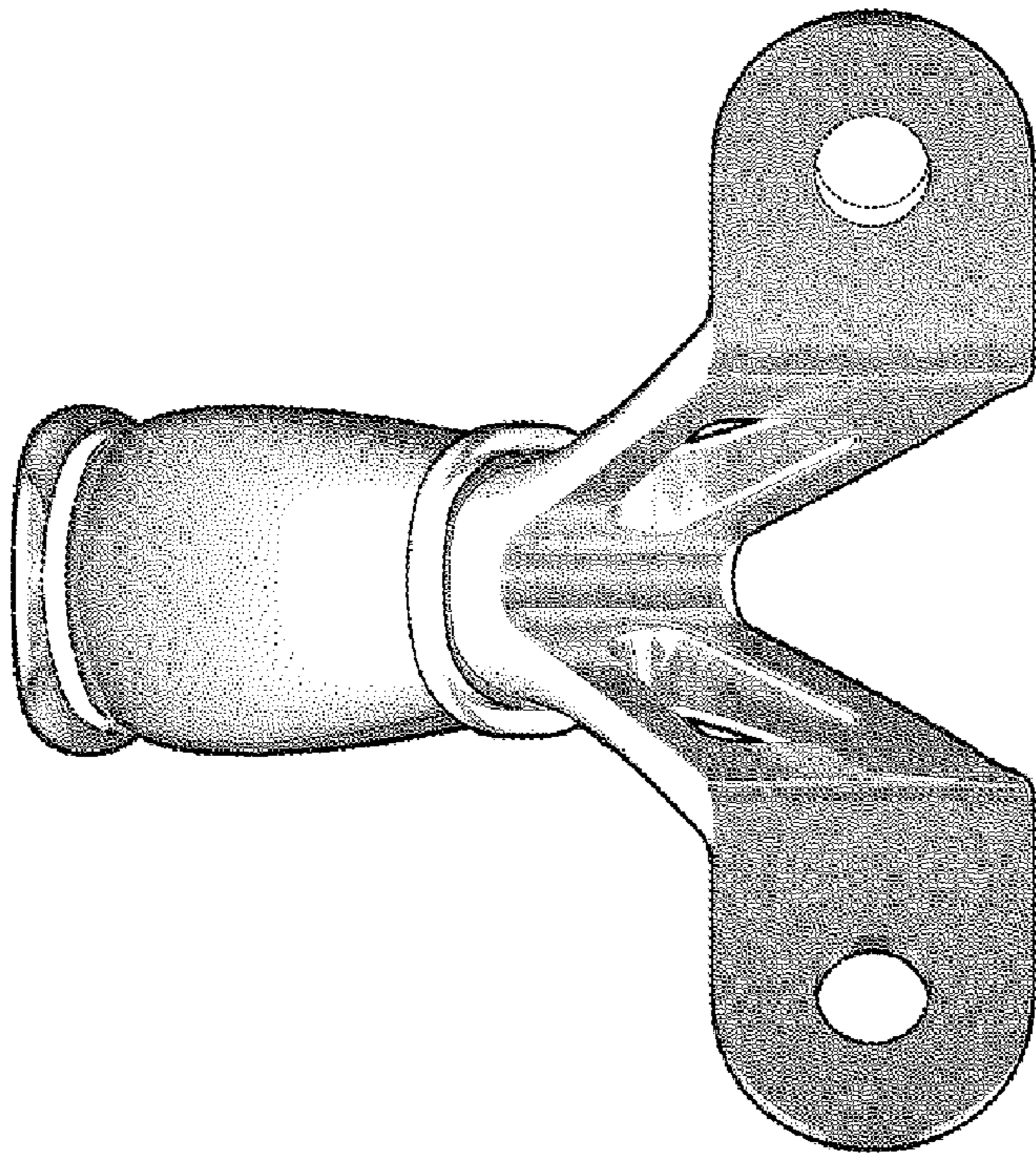


FIG. 6