



US00D653076S

(12) **United States Design Patent**
Melzer

(10) **Patent No.:** **US D653,076 S**
(45) **Date of Patent:** **** Jan. 31, 2012**

(54) **TEACUP COVER**

D550,030 S * 9/2007 Peterson D7/392.1
D567,017 S * 4/2008 Garman et al. D7/384
D576,837 S * 9/2008 Le Vavasasseur D7/412

(75) Inventor: **Brian Melzer**, New York, NY (US)

(73) Assignee: **EPOCA, Inc.**, East Brunswick, NJ (US)

(**) Term: **14 Years**

(21) Appl. No.: **29/379,998**

(22) Filed: **Nov. 29, 2010**

(51) **LOC (9) Cl.** **07-99**

(52) **U.S. Cl.** **D7/392.1; D7/396.2; D7/391**

(58) **Field of Classification Search** D7/392.1,
D7/391, 396.2; D9/449, 445; 220/212, 713
See application file for complete search history.

(56) **References Cited**

U.S. PATENT DOCUMENTS

D167,600 S * 8/1952 Waters D7/391
5,166,719 A * 11/1992 Chinzei et al. 396/373
5,636,923 A * 6/1997 Nejat-Bina 366/205
D404,253 S * 1/1999 Littmann D7/412
D497,282 S * 10/2004 Kelly et al. D7/392.1
D511,434 S * 11/2005 Feil D7/384

OTHER PUBLICATIONS

T-Squeeze—Model Number: T-SQ, product description printout from <http://www.evriholder.com/T-Squeeze.asp>, copyright 2010 (3 pages).
U.S. Appl. No. 13/075,829 entitled: “Teacup Cover,” filed Mar. 30, 2011 (27 pages).

* cited by examiner

Primary Examiner — Marianne Pandozzi

(74) *Attorney, Agent, or Firm* — McCarter & English, LLP

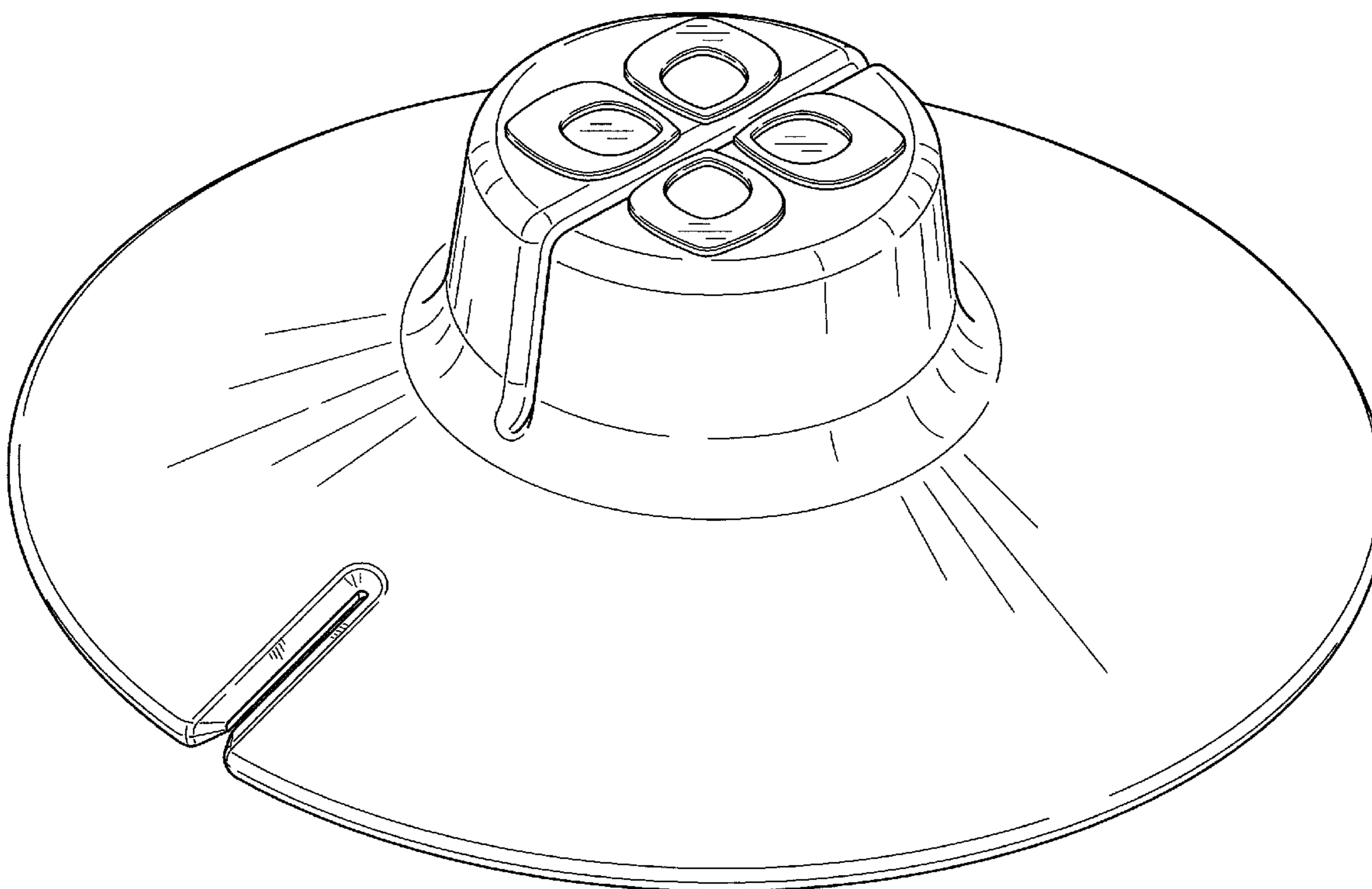
(57) **CLAIM**

The ornamental design for a teacup cover, as shown.

DESCRIPTION

FIG. 1 is a perspective view of a teacup cover showing my new design;
FIG. 2 is a front view thereof;
FIG. 3 is a rear view thereof;
FIG. 4 is a left side view thereof;
FIG. 5 is a right side view thereof;
FIG. 6 is a top view thereof;
FIG. 7 is a bottom view thereof; and,
FIG. 8 is a bottom perspective view thereof.

1 Claim, 6 Drawing Sheets



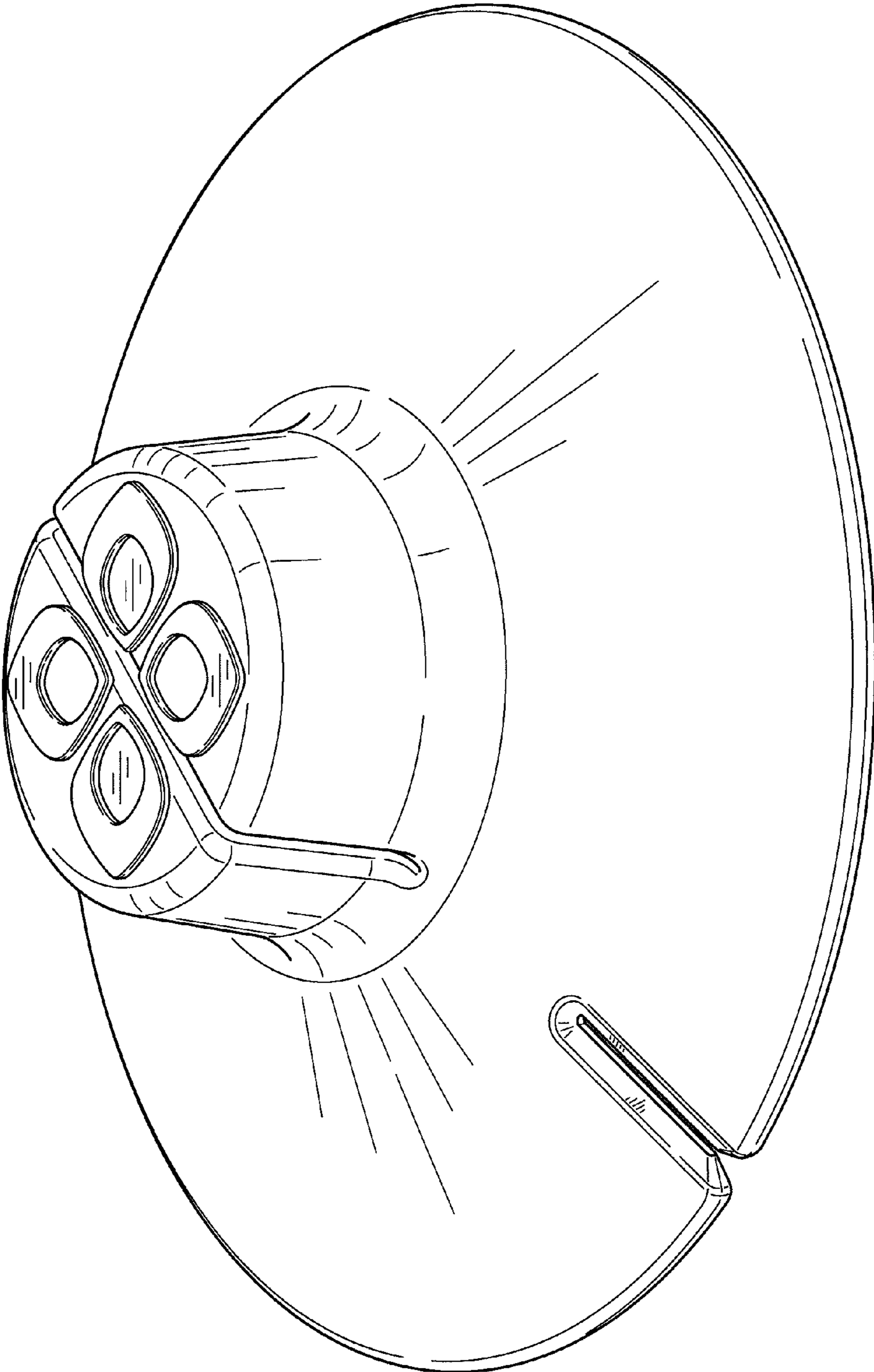


FIG. 1

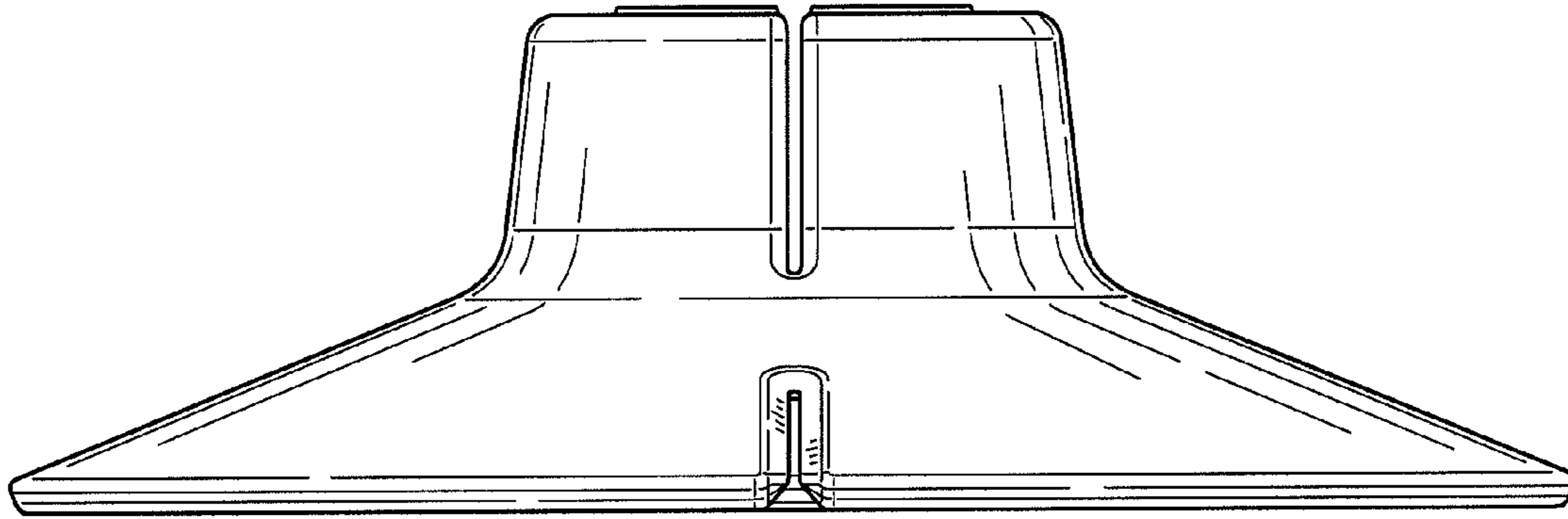


FIG. 2

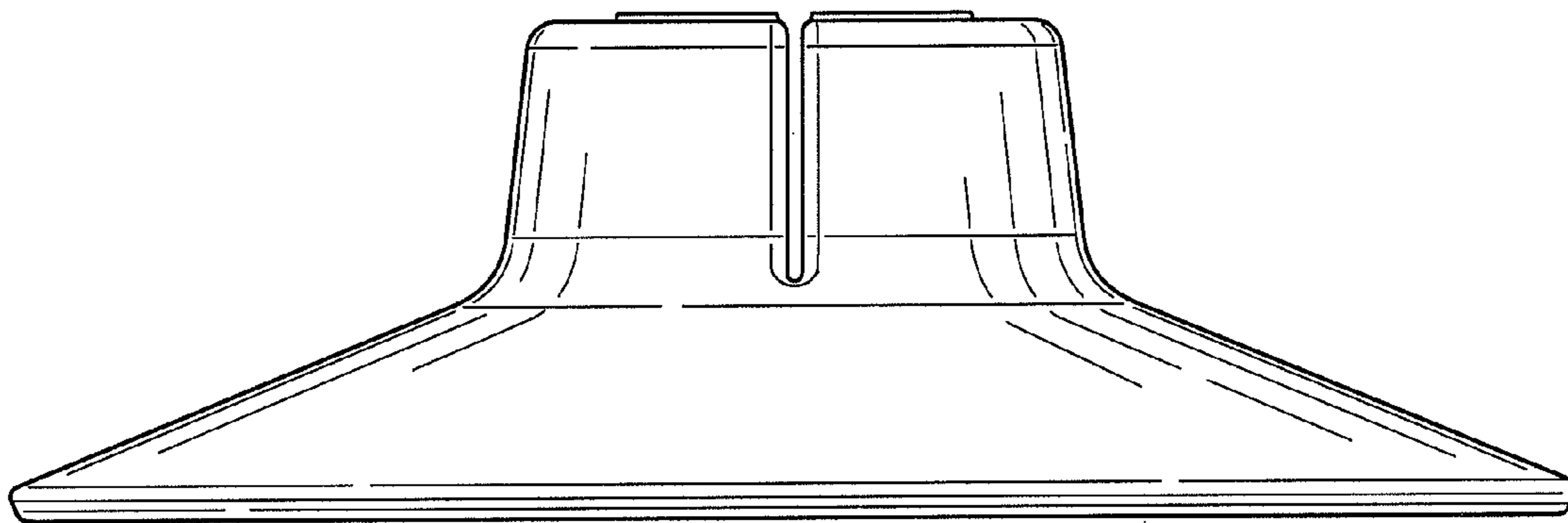


FIG. 3

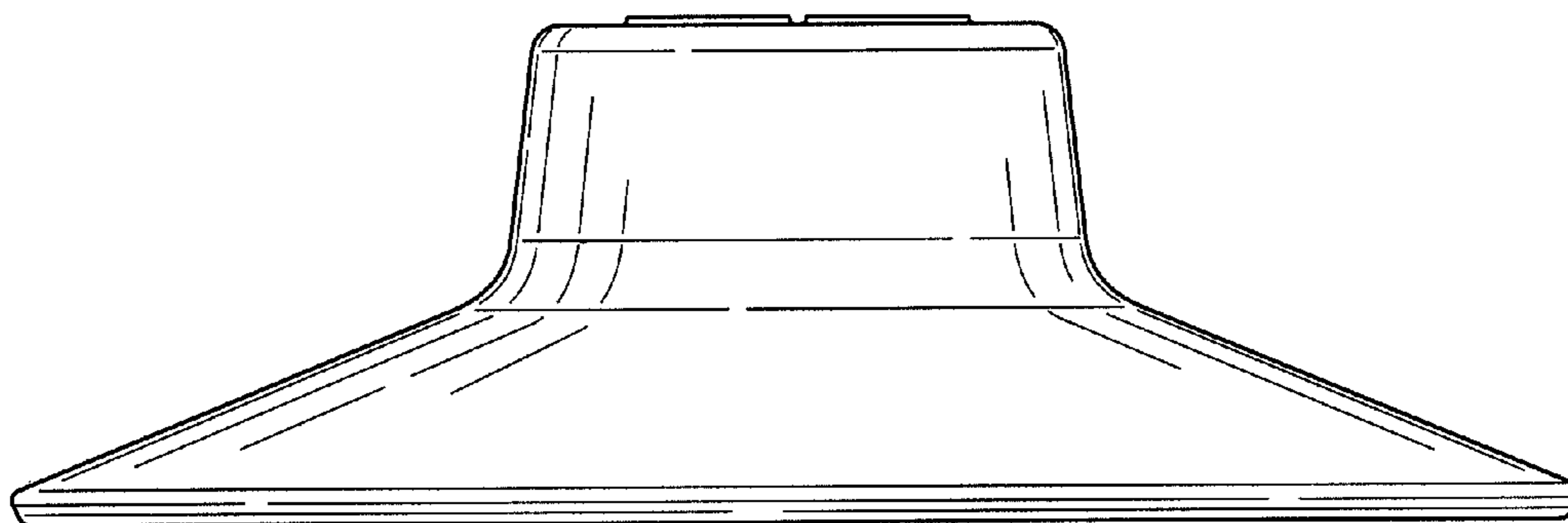


FIG. 4

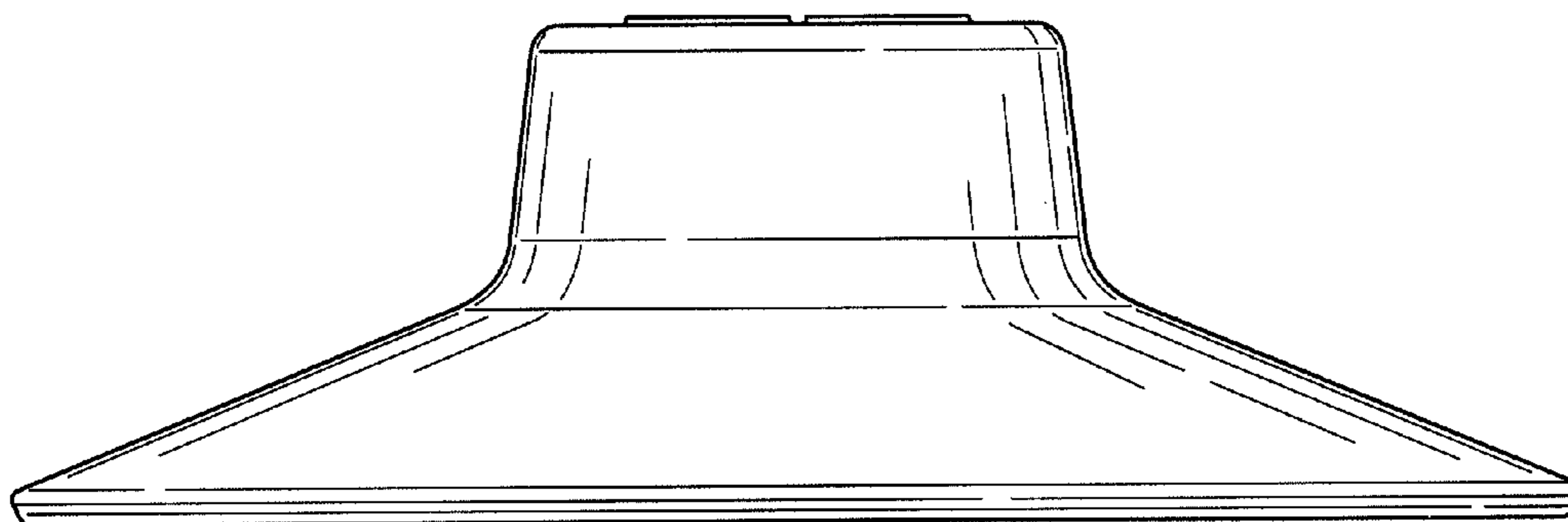


FIG. 5

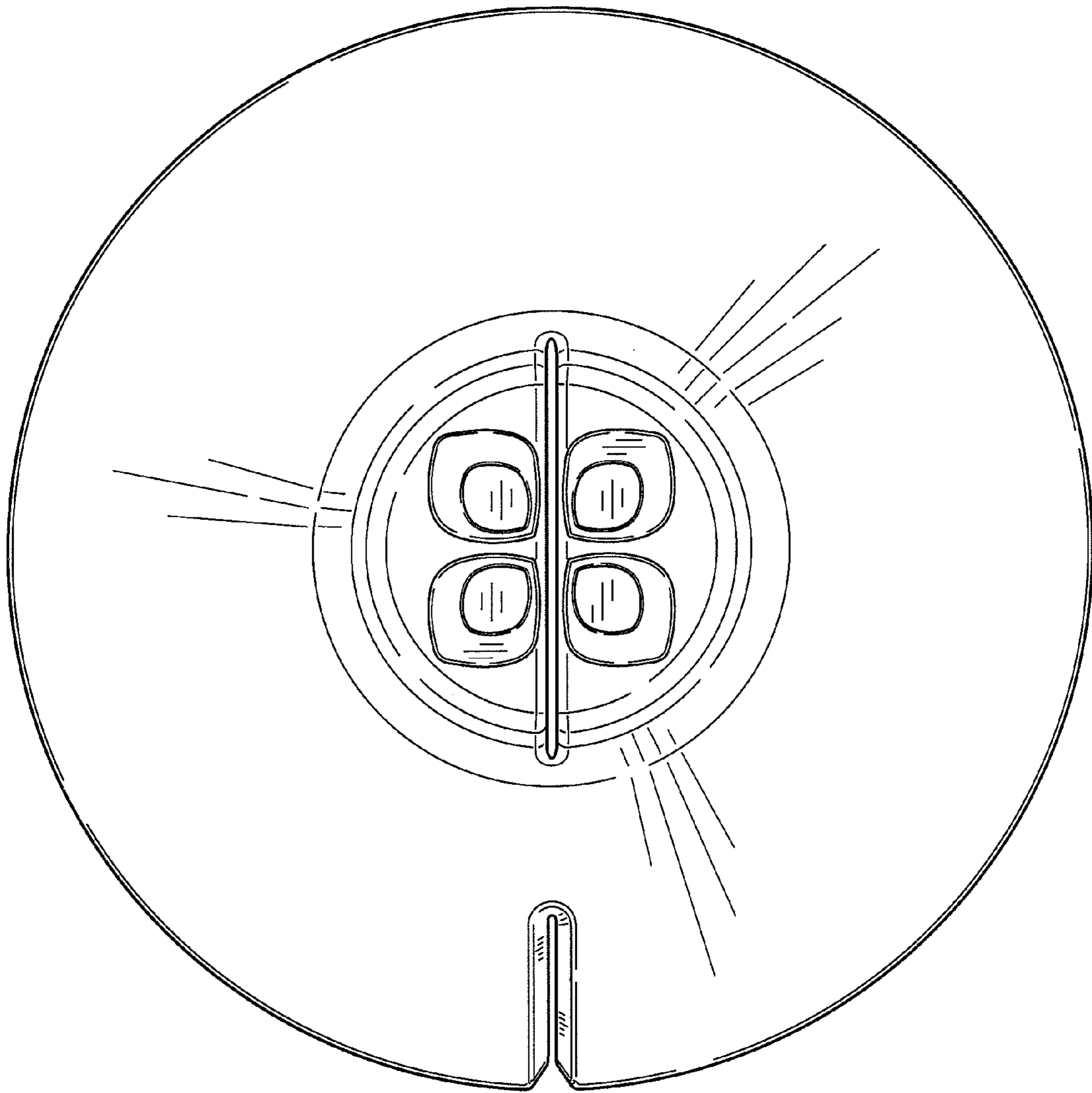


FIG. 6

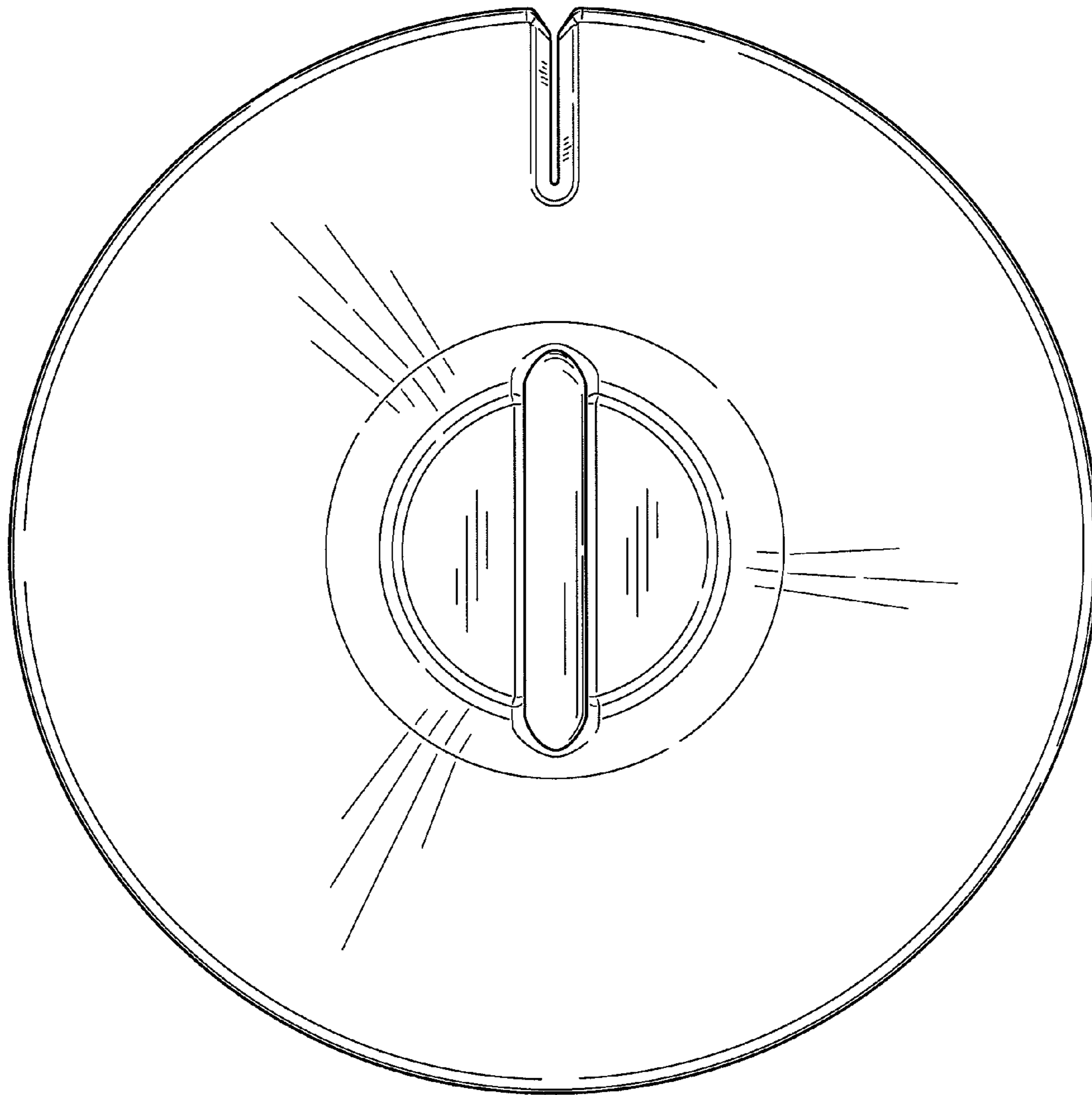


FIG. 7

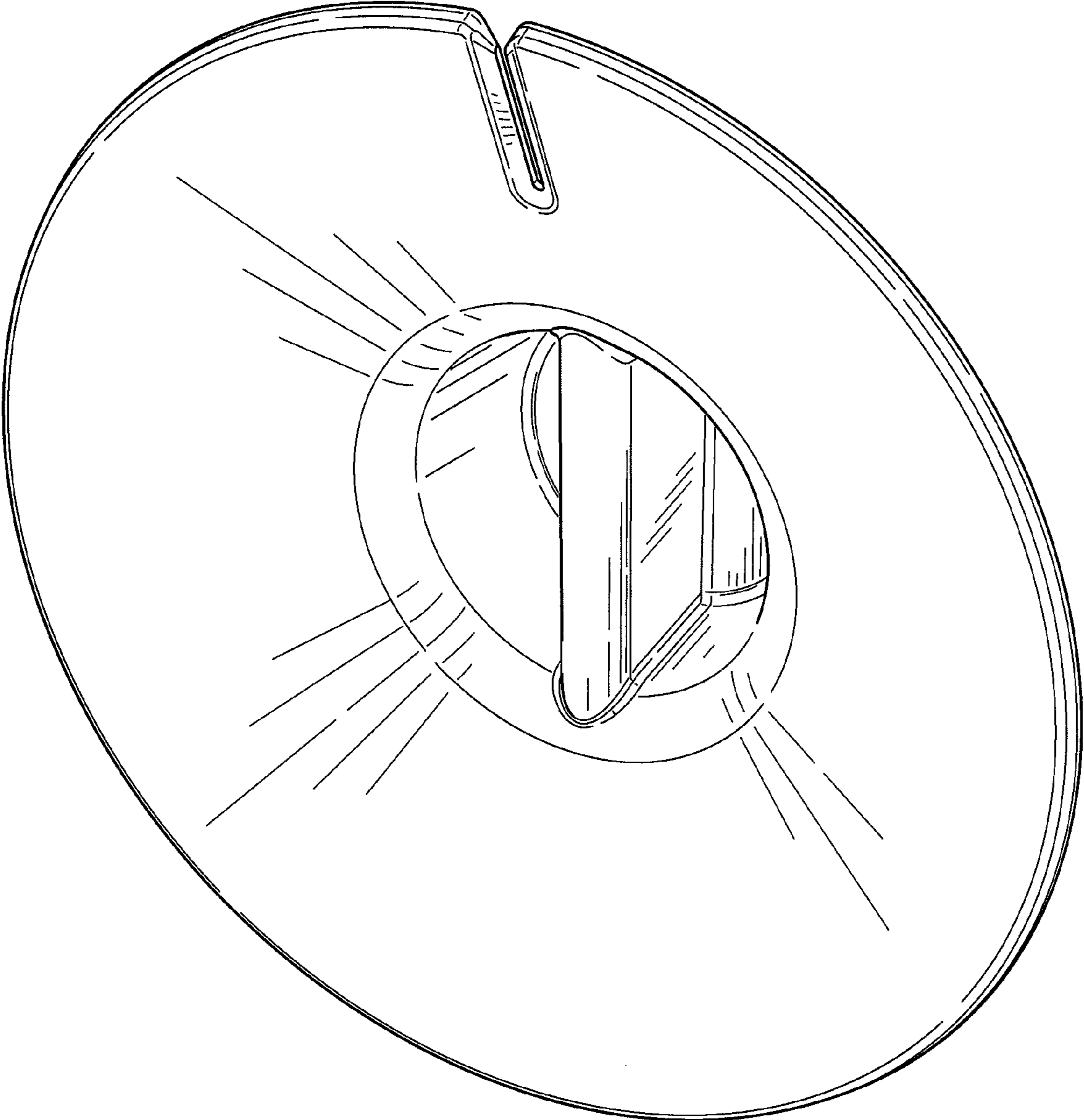


FIG. 8