

US00D653075S

(12) **United States Design Patent**
Lupkes

(10) **Patent No.:** **US D653,075 S**
(45) **Date of Patent:** **** Jan. 31, 2012**

- (54) **SMALL BAKER**
- (75) Inventor: **William Lupkes**, Glendale Heights, IL (US)
- (73) Assignee: **Columbia Insurance Company**, Omaha, NE (US)
- (**) Term: **14 Years**
- (21) Appl. No.: **29/387,954**
- (22) Filed: **Mar. 22, 2011**
- (51) **LOC (9) Cl.** **07-02**
- (52) **U.S. Cl.** **D7/359**
- (58) **Field of Classification Search** D7/323, D7/329-332, 337, 339, 346-347, 350.1-350.4, D7/354-363, 391, 393, 395, 402, 409, 538, D7/542-549, 554.2, 552.2, 554.3, 566, 570, D7/584-587, 601, 610, 667, 698; D30/123, D30/129; 99/279, 324-325, 330-332, 337-340, 99/369, 403-425, 444, 450; 126/25 A, 41 R, 126/275 R, 380.1, 390.1; 206/501-505, 206/507-508; 219/400, 405, 435-442, 620-624, 219/725, 730-735, 754-755; 220/4.26, 485, 220/491, 573.1-573.5, 574, 607, 658, 676, 220/759, 771, 912; 229/110, 406; 249/61, 249/127, 163; 426/438, 441, 523
See application file for complete search history.

- D297,393 S * 8/1988 Picozza et al. D7/359
- D344,658 S * 3/1994 Arkoosh et al. D7/554.3
- D363,410 S * 10/1995 Hazen D7/359
- D365,495 S * 12/1995 O'Higgins D7/359
- D384,555 S 10/1997 Bradley
- D431,958 S 10/2000 Harris
- D443,467 S 6/2001 Bradley
- D445,632 S 7/2001 Bradley
- D445,633 S 7/2001 Bradley
- D457,777 S 5/2002 Bradley
- D462,231 S 9/2002 Kari et al.
- D462,232 S 9/2002 Bradley
- D463,202 S * 9/2002 Smith D7/359
- D471,397 S * 3/2003 Wright D7/359
- D483,218 S 12/2003 Fino et al.
- D523,694 S 6/2006 Czebiniak
- D562,640 S 2/2008 Tucker et al.
- D566,482 S 4/2008 Tucker et al.

* cited by examiner

Primary Examiner — Ricky Pham

(74) *Attorney, Agent, or Firm* — Neal Gerber & Eisenberg LLP

(57) **CLAIM**

The ornamental design for the small baker, as shown and described.

DESCRIPTION

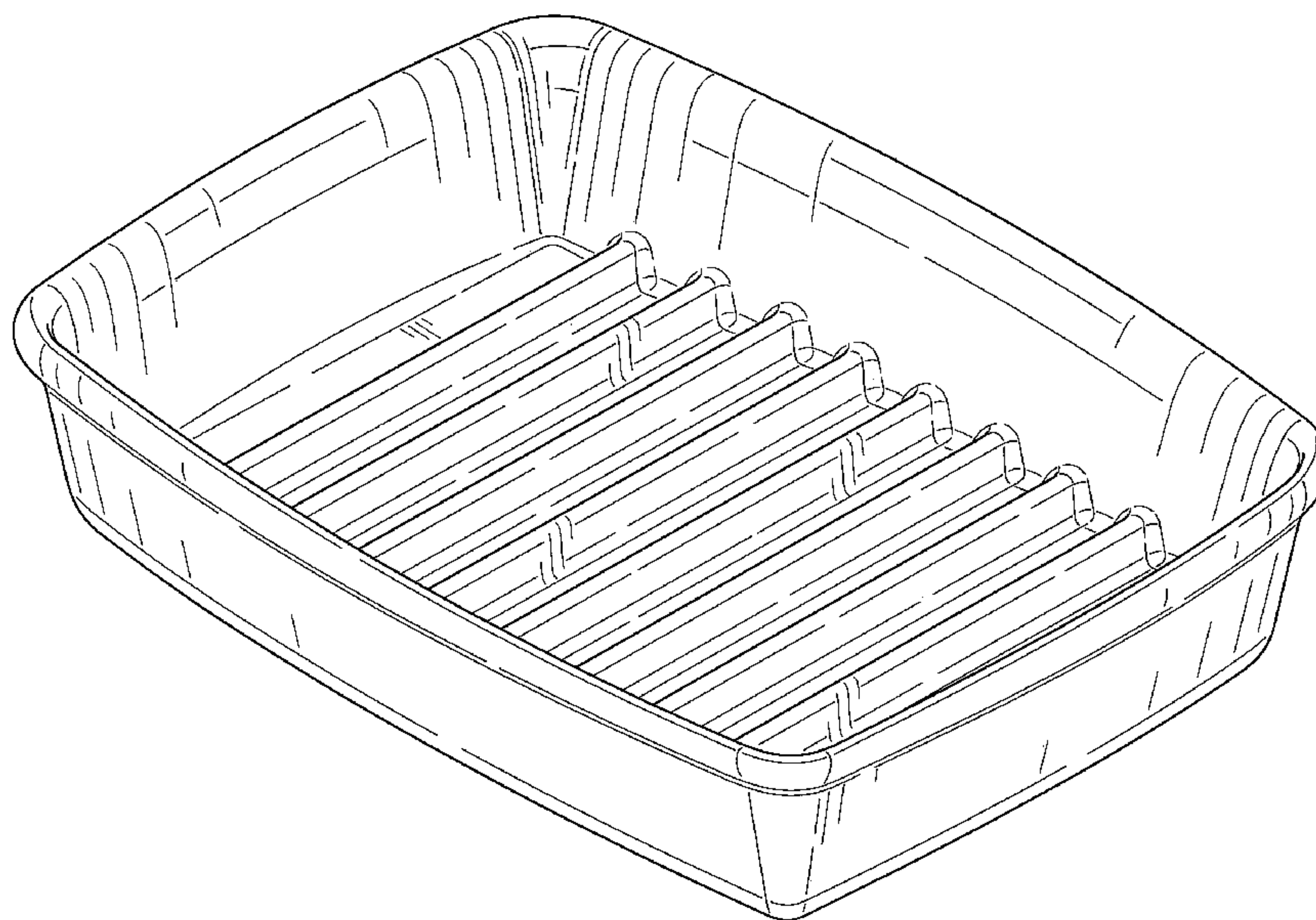
FIG. 1 is a top perspective view of the small baker of the present invention;
 FIG. 2 is a front elevational view thereof, the rear elevational view being identical thereto;
 FIG. 3 is a side elevational view thereof, the other side elevational view being identical thereto;
 FIG. 4 is a top plan view thereof; and,
 FIG. 5 is a bottom plan view.
 The broken lines in the drawings illustrate the portions of the design that form no part of the claim.

1 Claim, 4 Drawing Sheets

(56) **References Cited**

U.S. PATENT DOCUMENTS

- D177,360 S * 4/1956 Becker et al. D7/359
- D187,237 S * 2/1960 Kindelberger D7/549
- D240,390 S * 7/1976 Smith D7/698
- 3,994,212 A * 11/1976 Wong 99/444
- D257,115 S * 9/1980 Anderson D7/359
- D268,981 S * 5/1983 Monson D7/359
- D293,999 S * 2/1988 Grindrod et al. D7/359



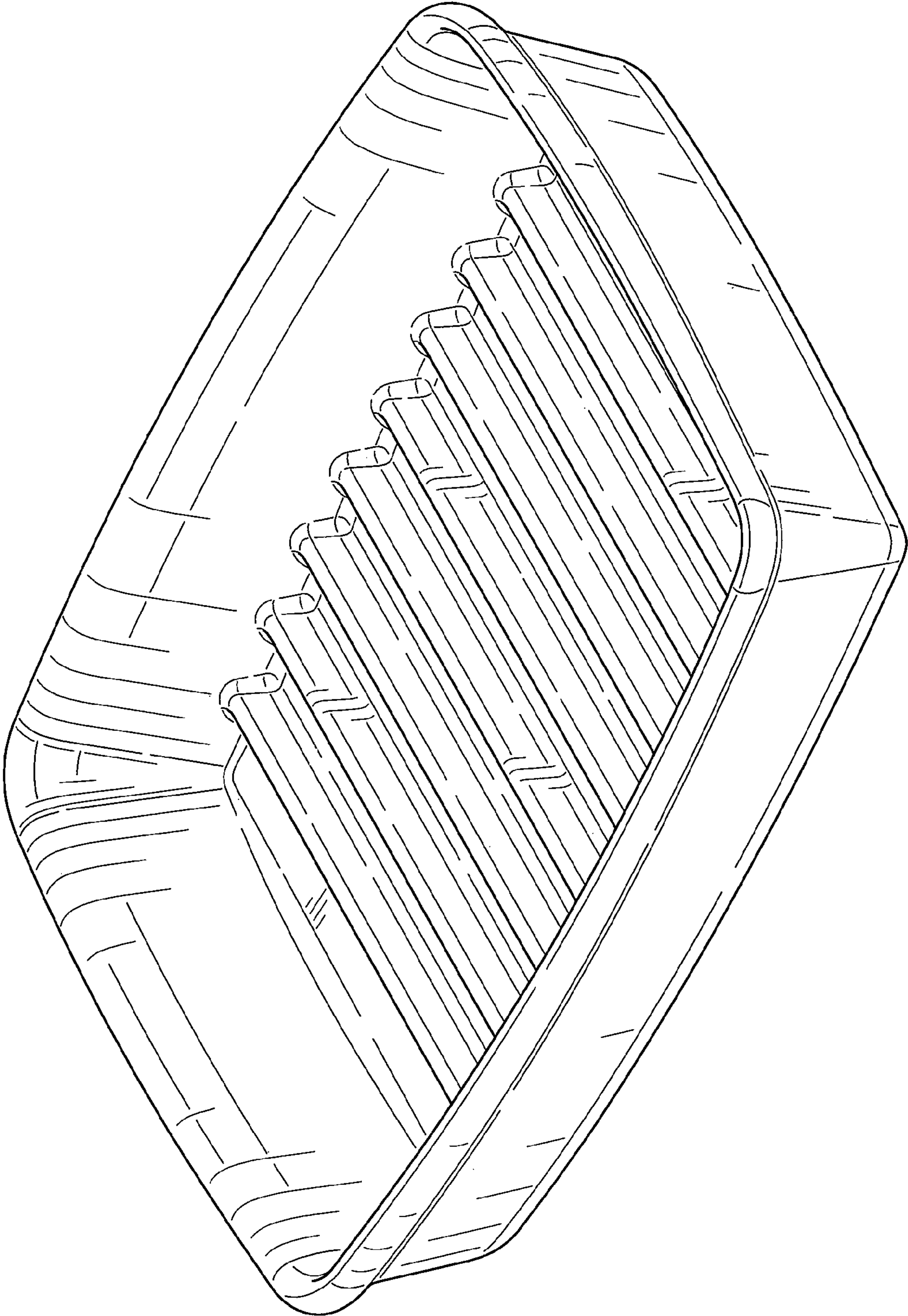


FIG. 1

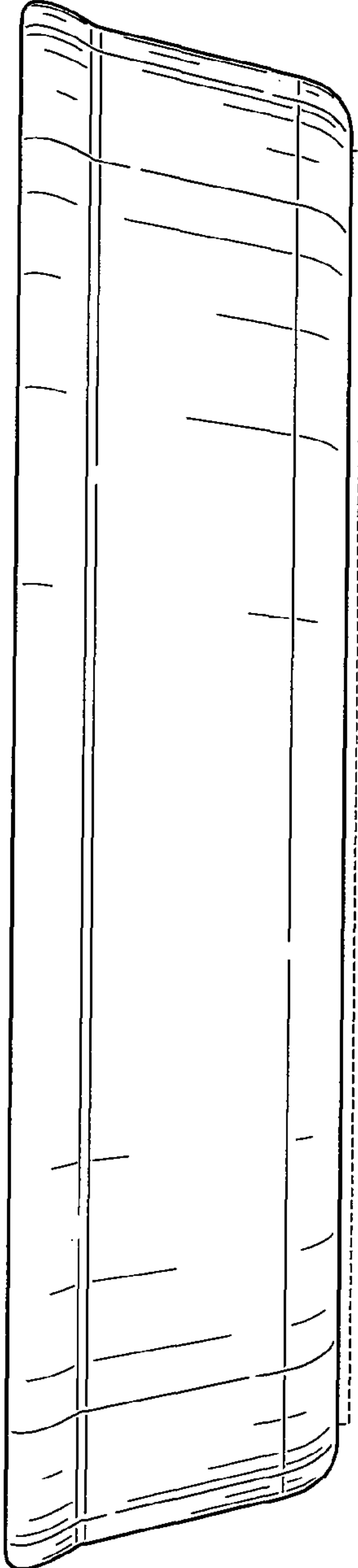


FIG. 2

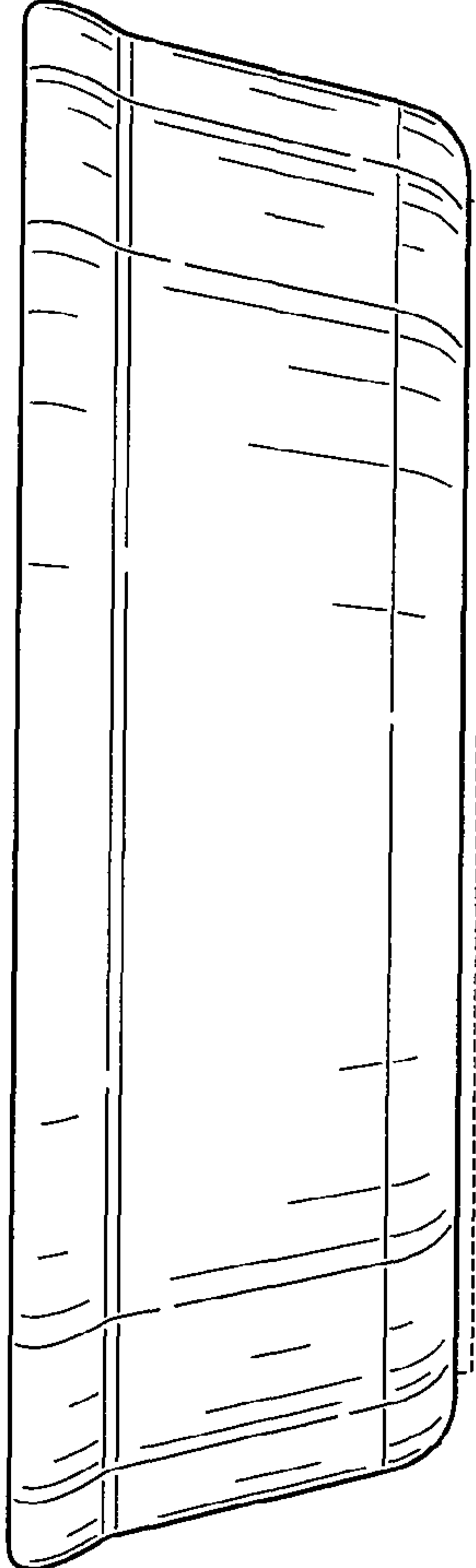


FIG. 3

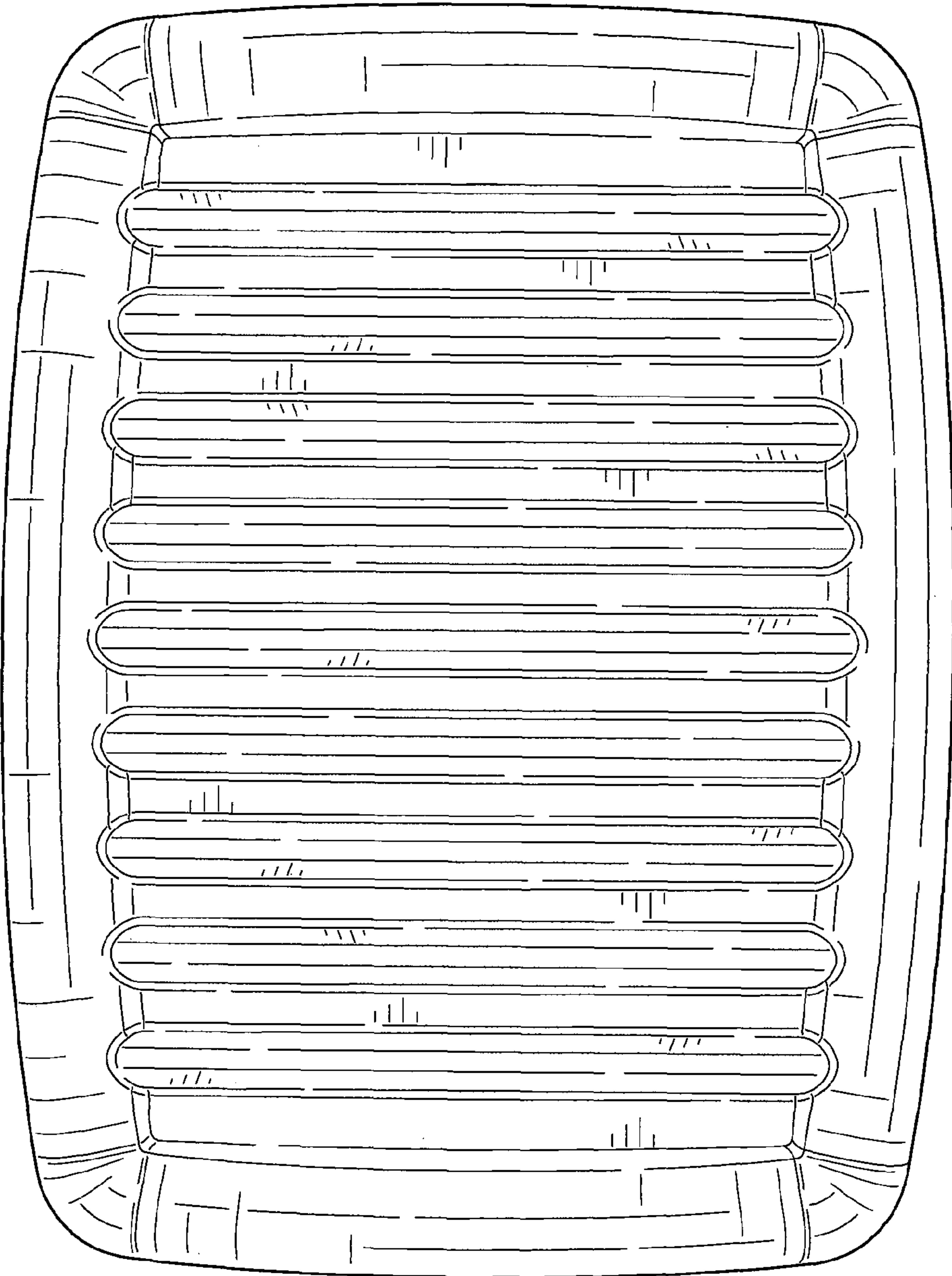


FIG. 4

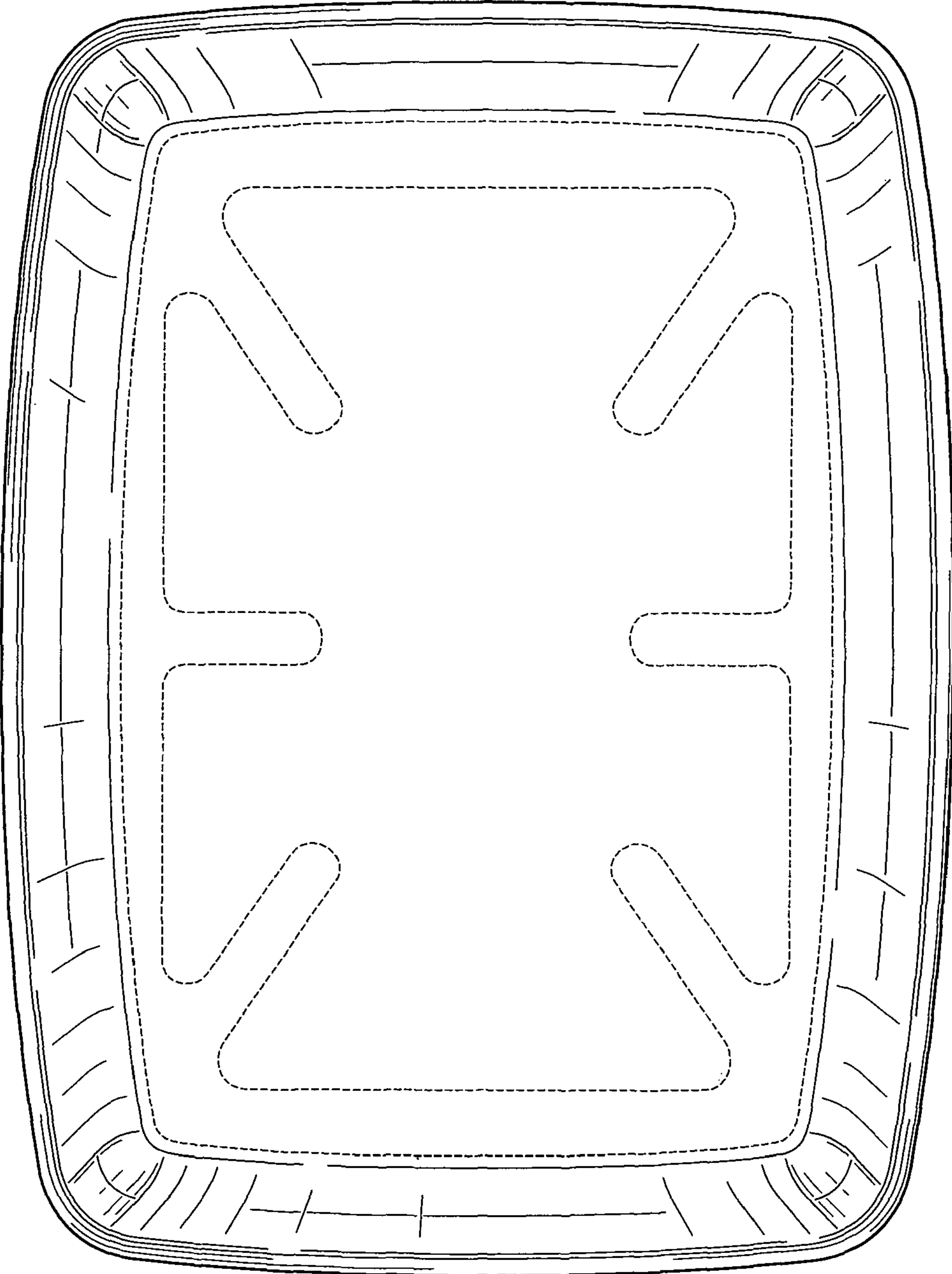


FIG. 5