

US00D653074S

(12) **United States Design Patent**  
**Difante**

(10) **Patent No.:** **US D653,074 S**  
(45) **Date of Patent:** **\*\* Jan. 31, 2012**

(54) **COMBINED OBLONG COOKING DEVICE**

*Primary Examiner — Ricky Pham*

(76) Inventor: **Agostino Difante**, San Clemente, CA  
(US)

(\*\*) Term: **14 Years**

(21) Appl. No.: **29/374,674**

(22) Filed: **Sep. 20, 2011**

(51) **LOC (9) Cl.** ..... **07-02**

(52) **U.S. Cl.** ..... **D7/357; D7/354**

(58) **Field of Classification Search** ..... D7/323,  
D7/329–332, 339, 346–347, 350.1–350.4,  
D7/353–367, 391, 393, 395, 402, 406, 409,  
D7/538, 542; 99/324–325, 331–332, 337–343,  
99/369, 400–418, 422, 425, 444, 451, 483;  
126/37 R, 261, 374.1, 378.1; 206/501–505,  
206/507–508; 219/400, 405, 429–442, 620–624,  
219/725, 730–735; 220/203.05, 203.07,  
220/203.09, 298, 315–316, 573.1–573.5,  
220/912; 426/438, 441

See application file for complete search history.

(56) **References Cited**

**U.S. PATENT DOCUMENTS**

D130,253	S *	11/1941	Pearce	.....	D7/360
3,285,159	A *	11/1966	Greene	.....	99/343
3,508,485	A *	4/1970	Munsey	.....	99/331
D226,940	S *	5/1973	Lax	.....	D7/360
D338,132	S *	8/1993	Chang	.....	D7/356
6,263,787	B1 *	7/2001	Tseng et al.	.....	99/413
6,269,737	B1 *	8/2001	Rigney et al.	.....	99/339
6,313,446	B1 *	11/2001	Jones	.....	219/433
6,314,869	B1 *	11/2001	Bourgeois, Jr.	.....	99/340
6,446,545	B2 *	9/2002	Rigney	.....	99/339
D481,903	S *	11/2003	Hester	.....	D7/332
D486,348	S *	2/2004	Zhu	.....	D7/332
D505,589	S *	5/2005	Hoff et al.	.....	D7/409
6,941,857	B2 *	9/2005	McLemore	.....	99/413

(Continued)

(57) **CLAIM**

The ornamental design for a combined oblong cooking device as shown and described.

**DESCRIPTION**

FIG. 1 is an exploded perspective view of an oblong cooking device with lid, strainer and container showing my new design;

FIG. 2 is a perspective view of the assembled oblong cooking device of my new design;

FIG. 3 is a right side elevational view showing the long elevation of the oblong design, the left side elevational view being a mirror image thereof;

FIG. 4 is a front side elevational view showing the short elevation of the oblong design, the rear side elevational view being a mirror image thereof;

FIG. 5 is a top plan view of my design.

FIG. 6 is a bottom plan view of my design.

FIG. 7 is a top view of the container of my design with the lid and strainer removed;

FIG. 8 is a top plan view of the lid of my design.

FIG. 9 is a bottom plan view of the lid of my design.

FIG. 10 is a right side elevational view of the strainer of my design showing the long elevation of the oblong design, the left side elevational view being the mirror image thereof;

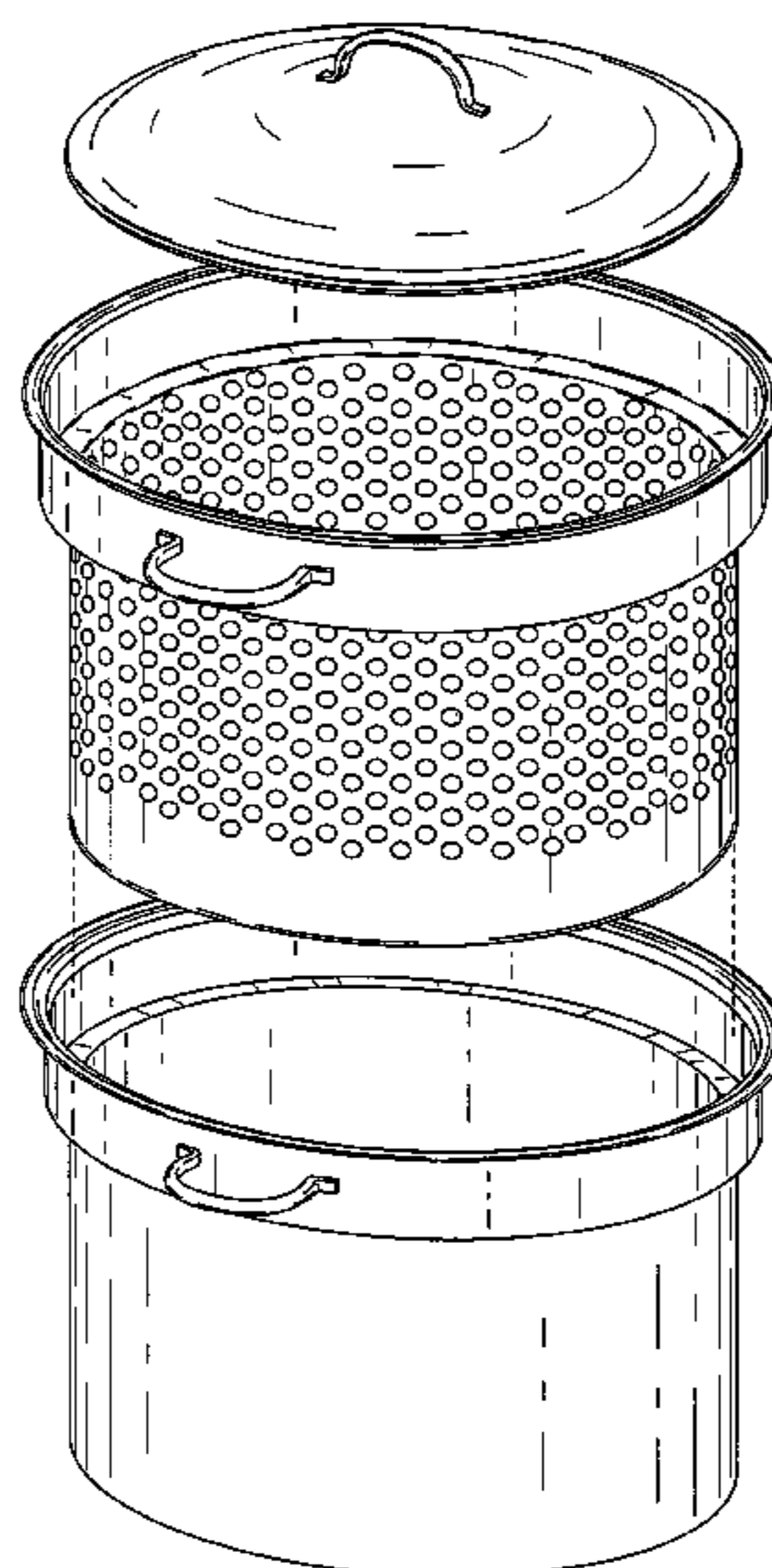
FIG. 11 is a front side elevational view of the strainer of my design showing the short elevation of the oblong design, the rear side elevational view being a mirror image thereof;

FIG. 12 is a top plan view of the strainer of my design; and,

FIG. 13 is a bottom plan view of the strainer of my design.

The broken lines shown in the drawings are for illustrative purposes only and form no part of the claimed design.

**1 Claim, 8 Drawing Sheets**



# US D653,074 S

Page 2

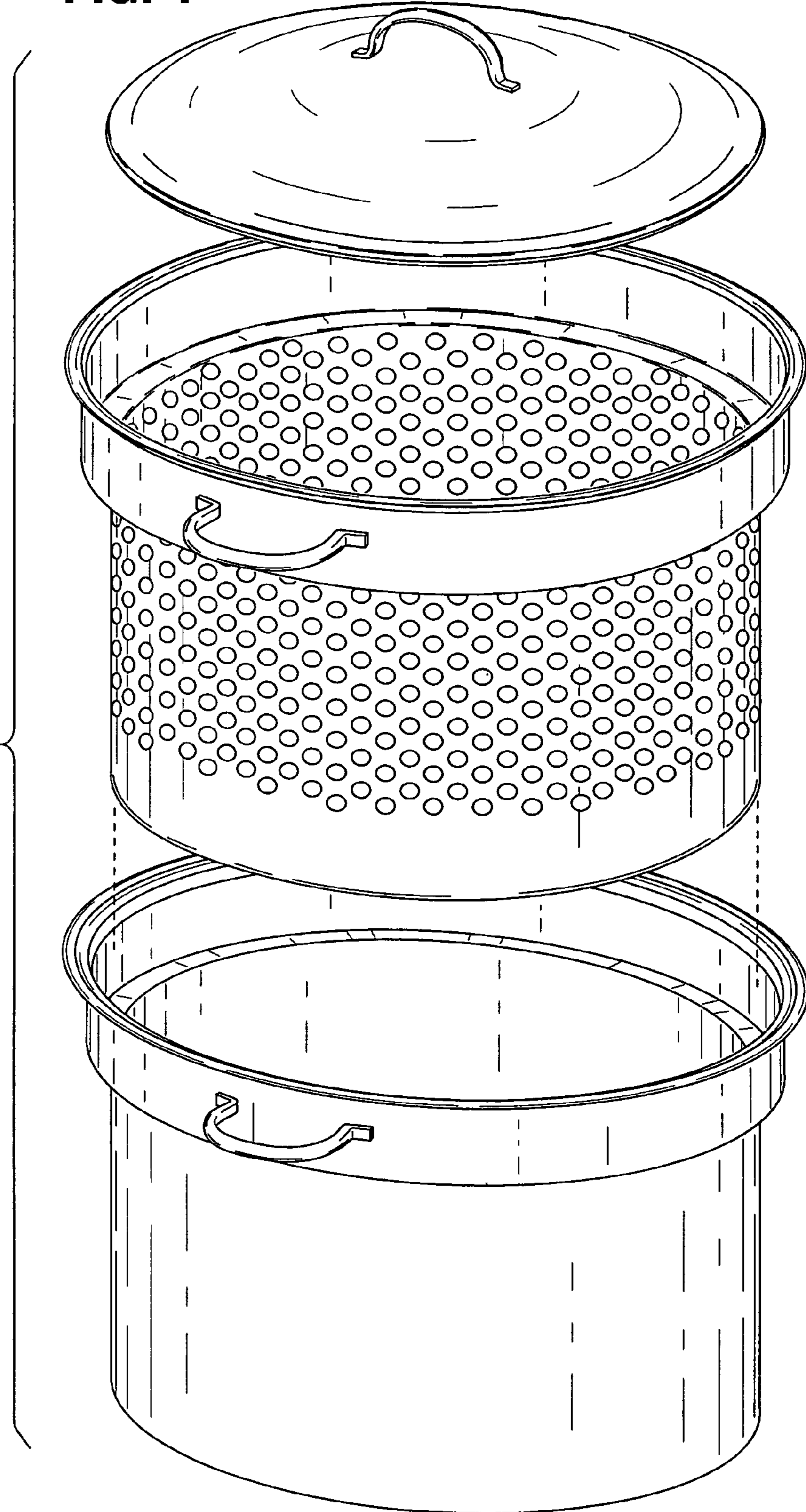
---

## U.S. PATENT DOCUMENTS

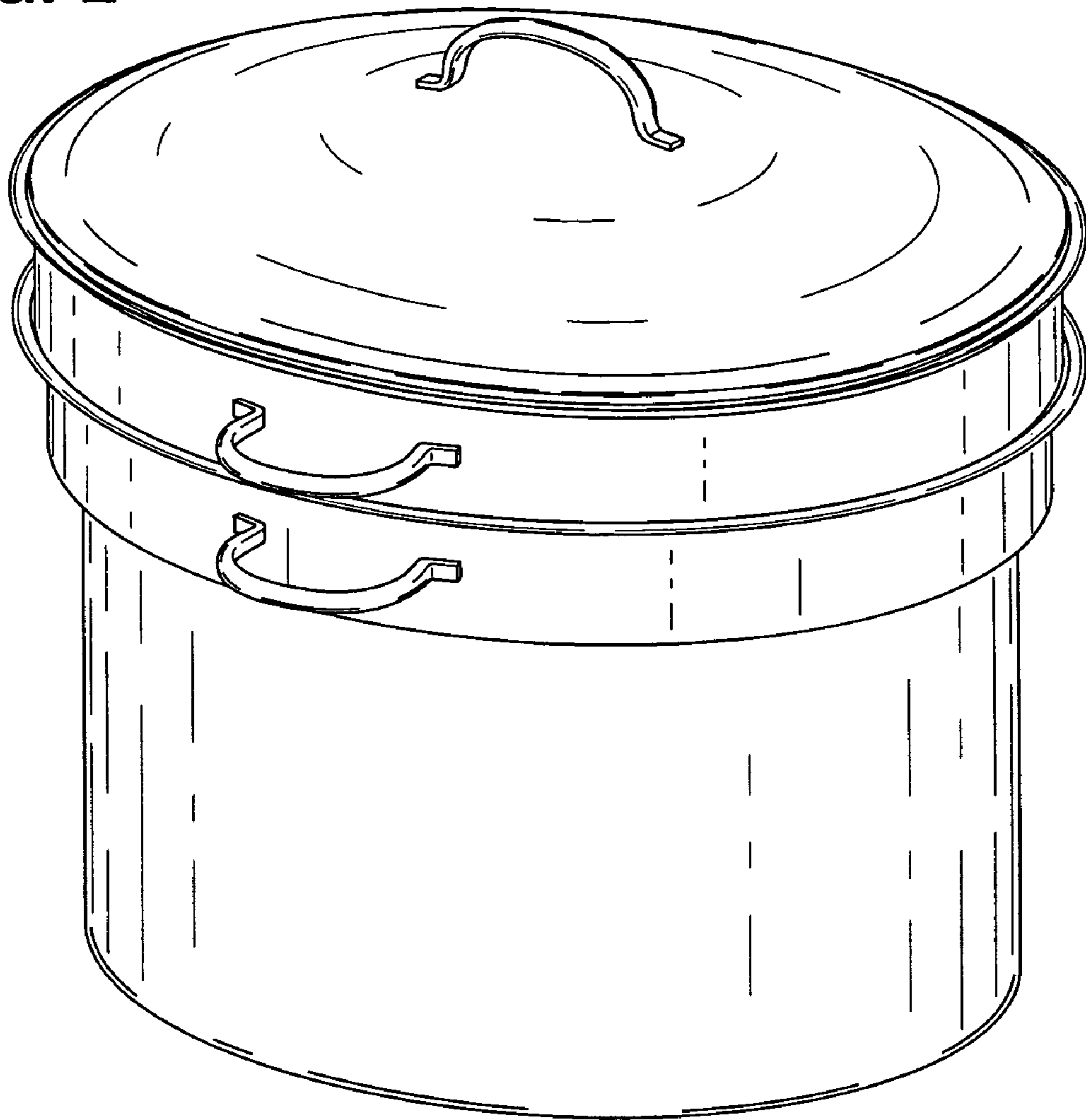
D525,821 S *	8/2006	Latzman et al. ....	D7/355	D585,236 S *	1/2009	McGinn .....	D7/360
7,112,764 B2 *	9/2006	Garcia .....	219/429	D612,193 S *	3/2010	Darling .....	D7/354
D552,410 S *	10/2007	Hoff et al. ....	D7/356	D635,393 S *	4/2011	Nakatani .....	D7/360
D553,424 S *	10/2007	Lin .....	D7/354	D642,421 S *	8/2011	Difante .....	D7/357
D576,833 S *	9/2008	Mansell .....	D7/332	2002/0038802 A1 *	4/2002	Tersch .....	220/573.4

\* cited by examiner

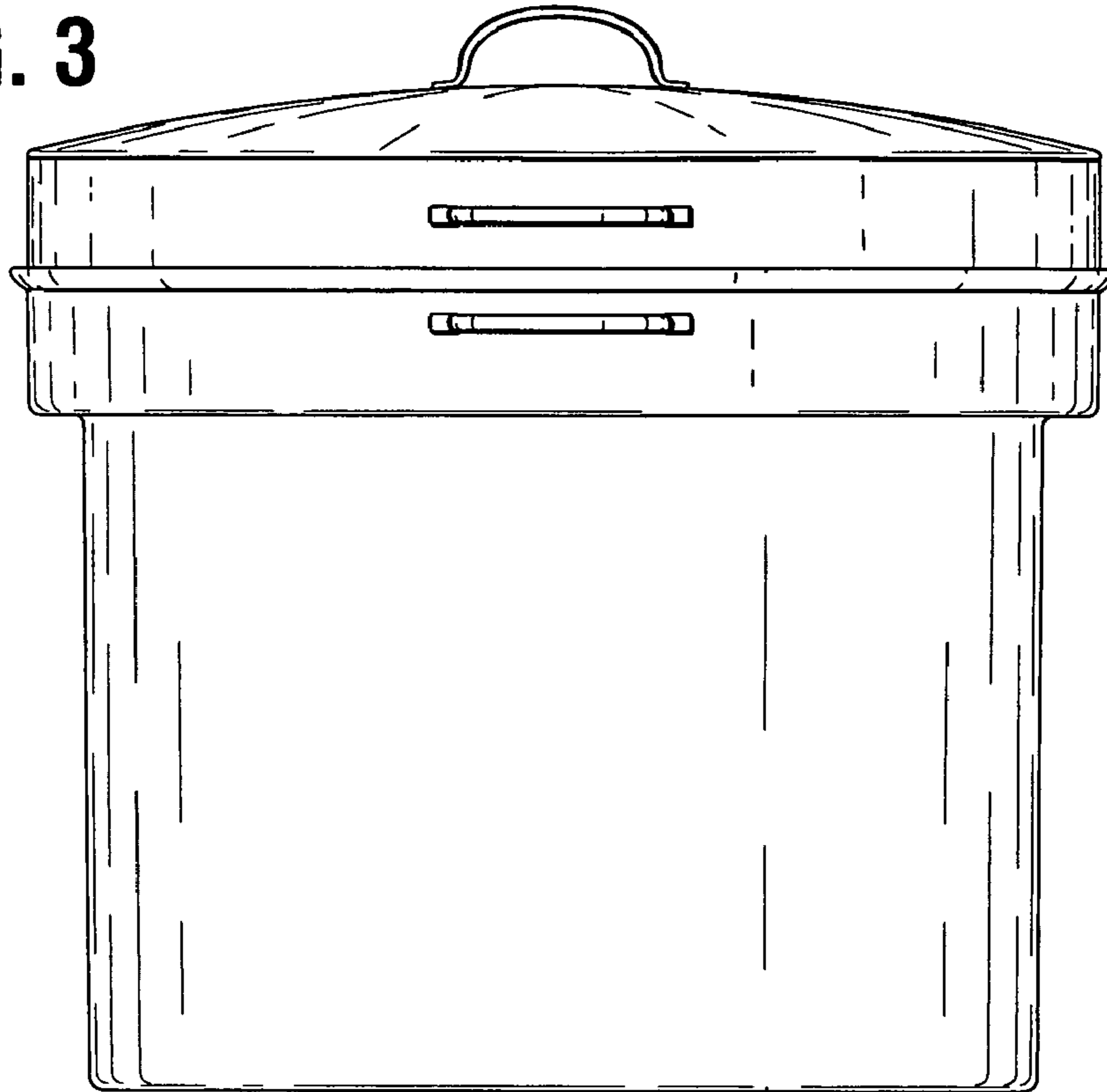
**FIG. 1**



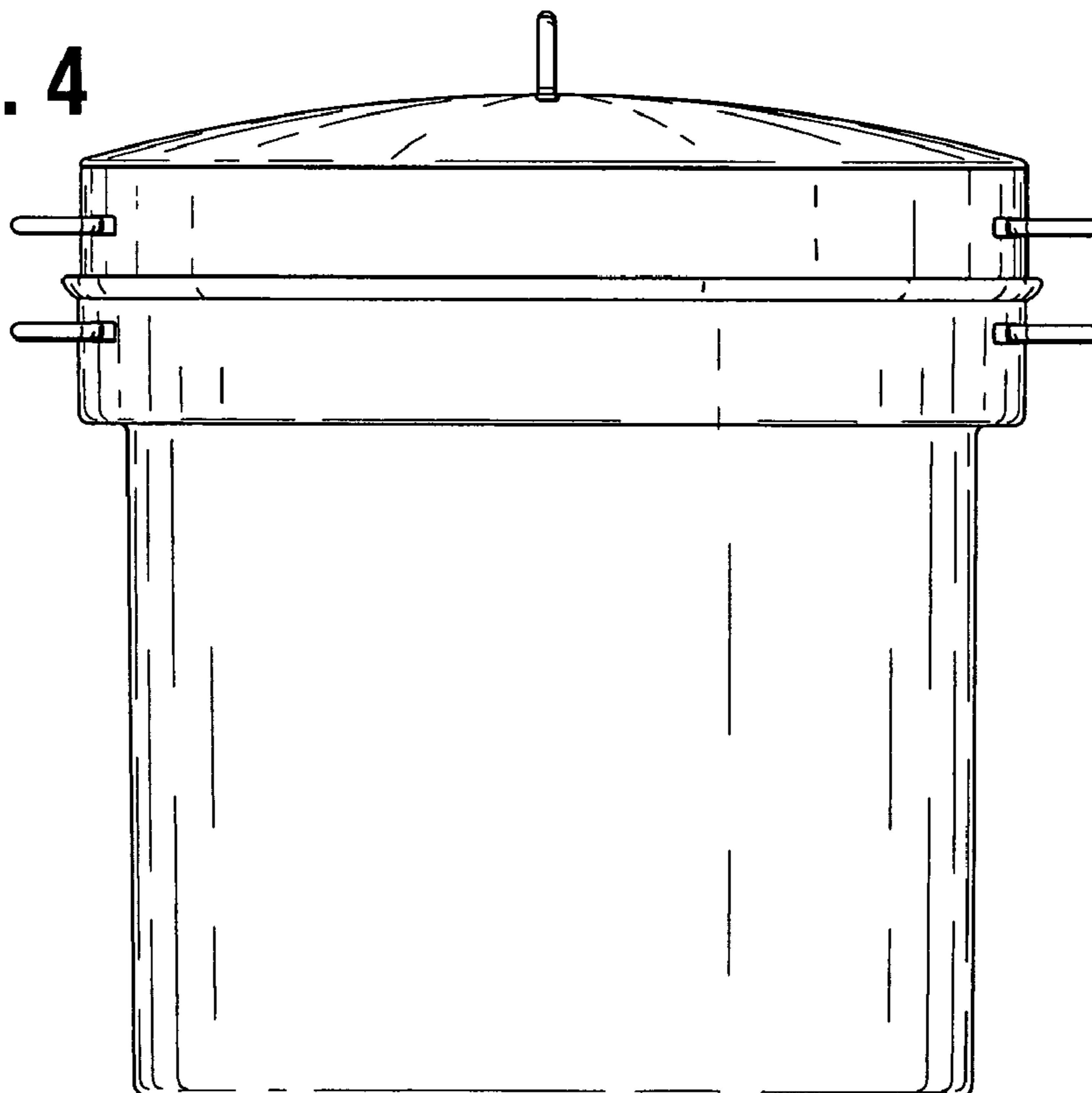
**FIG. 2**



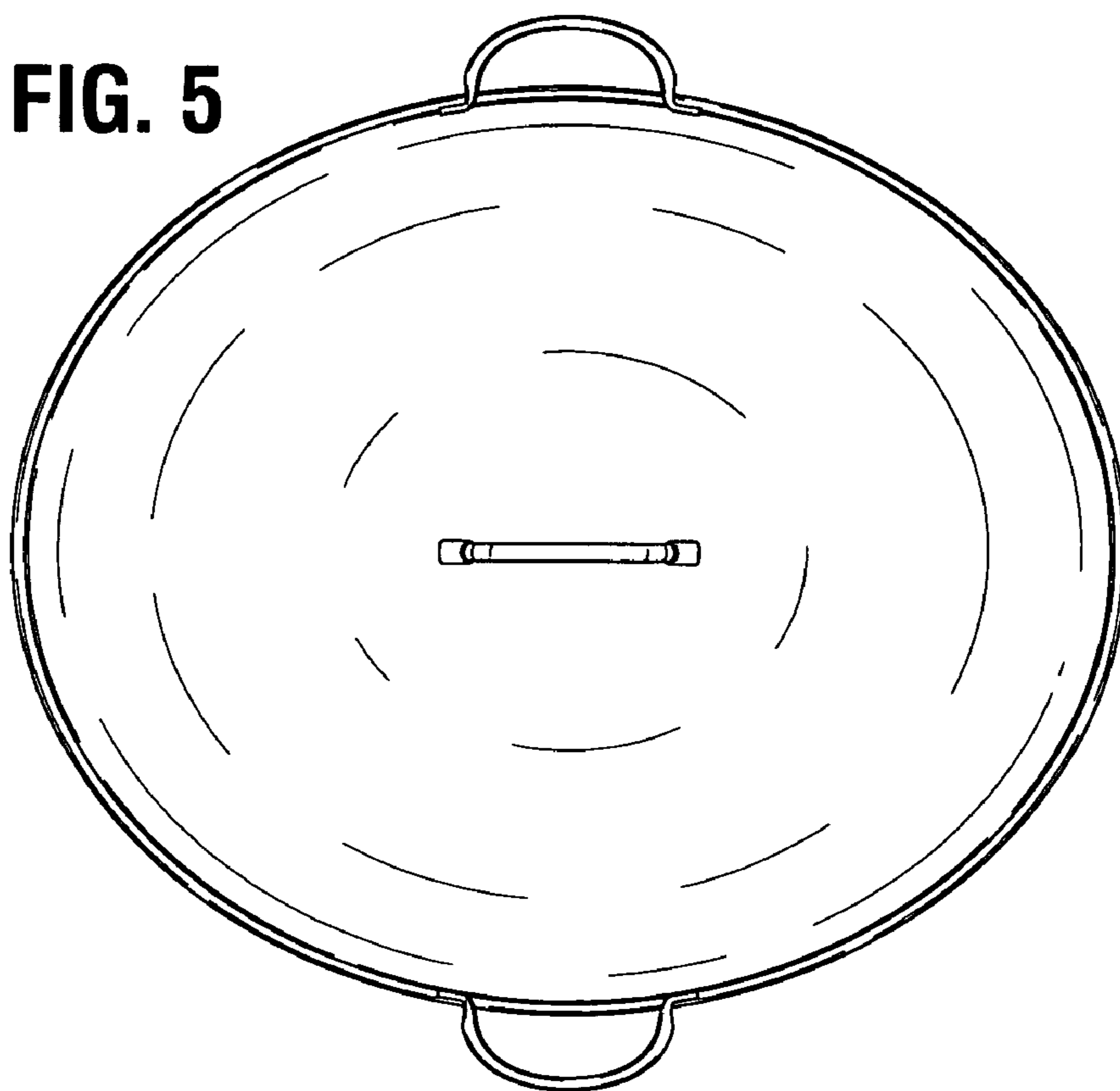
**FIG. 3**



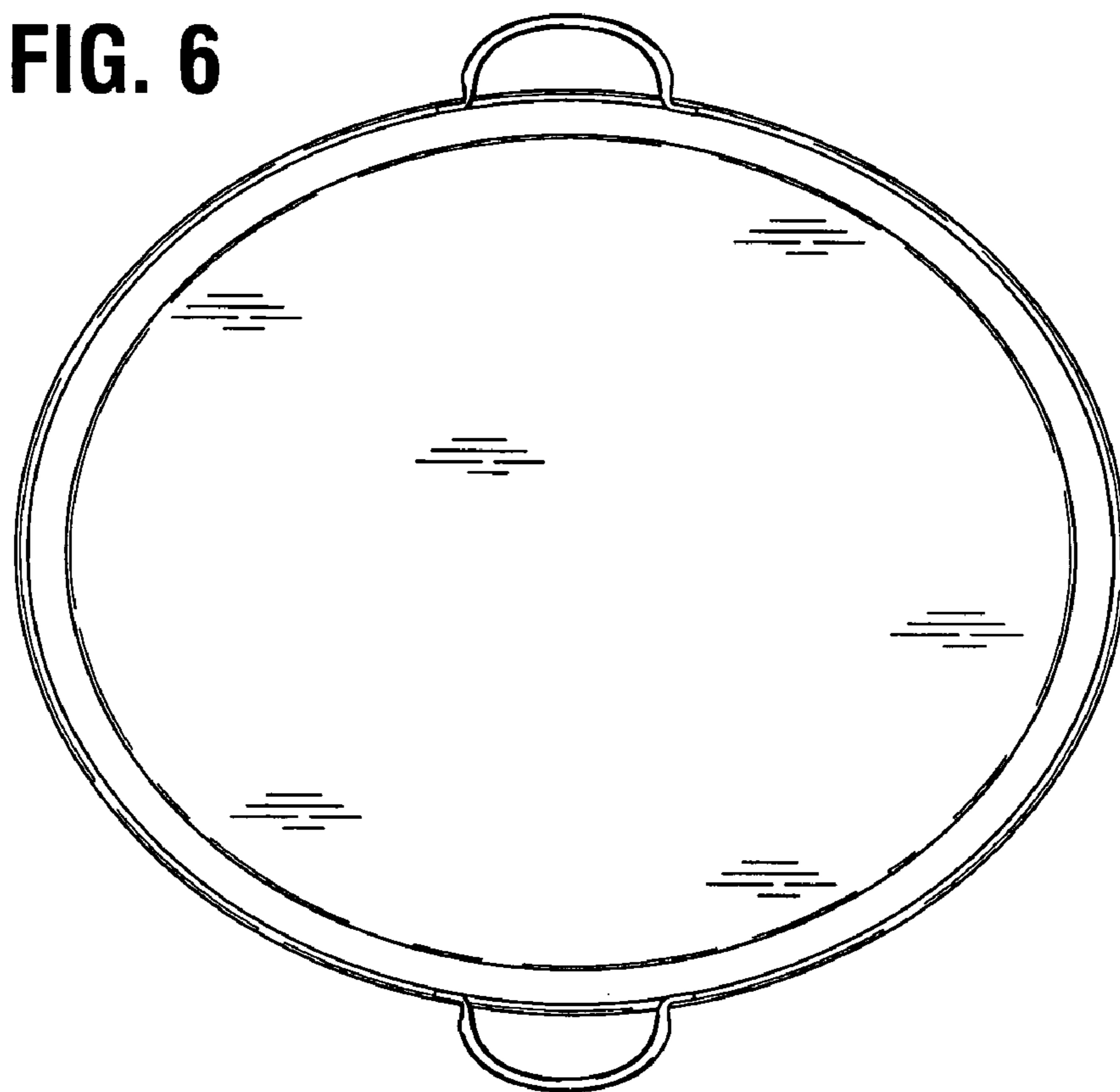
**FIG. 4**



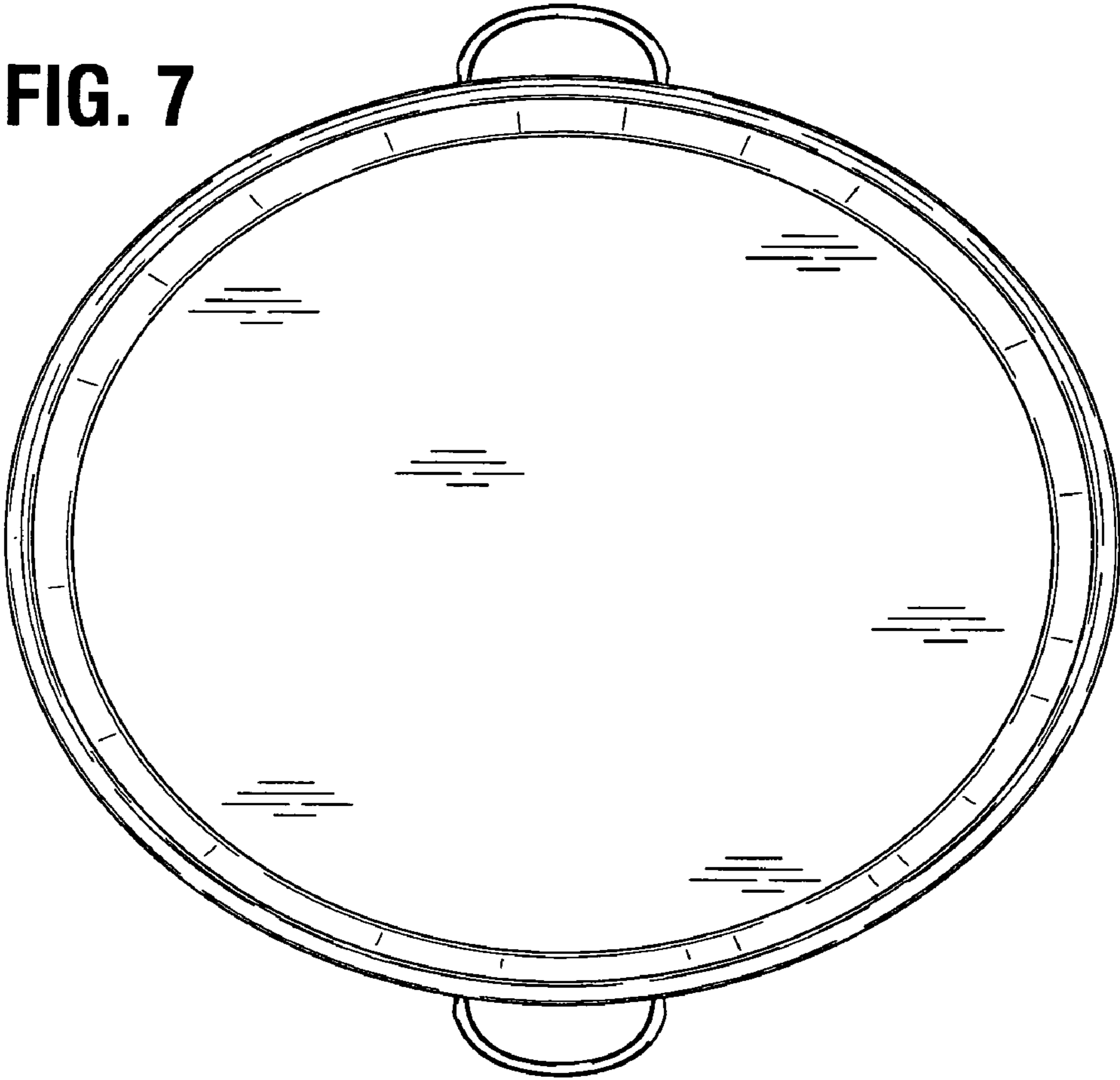
**FIG. 5**



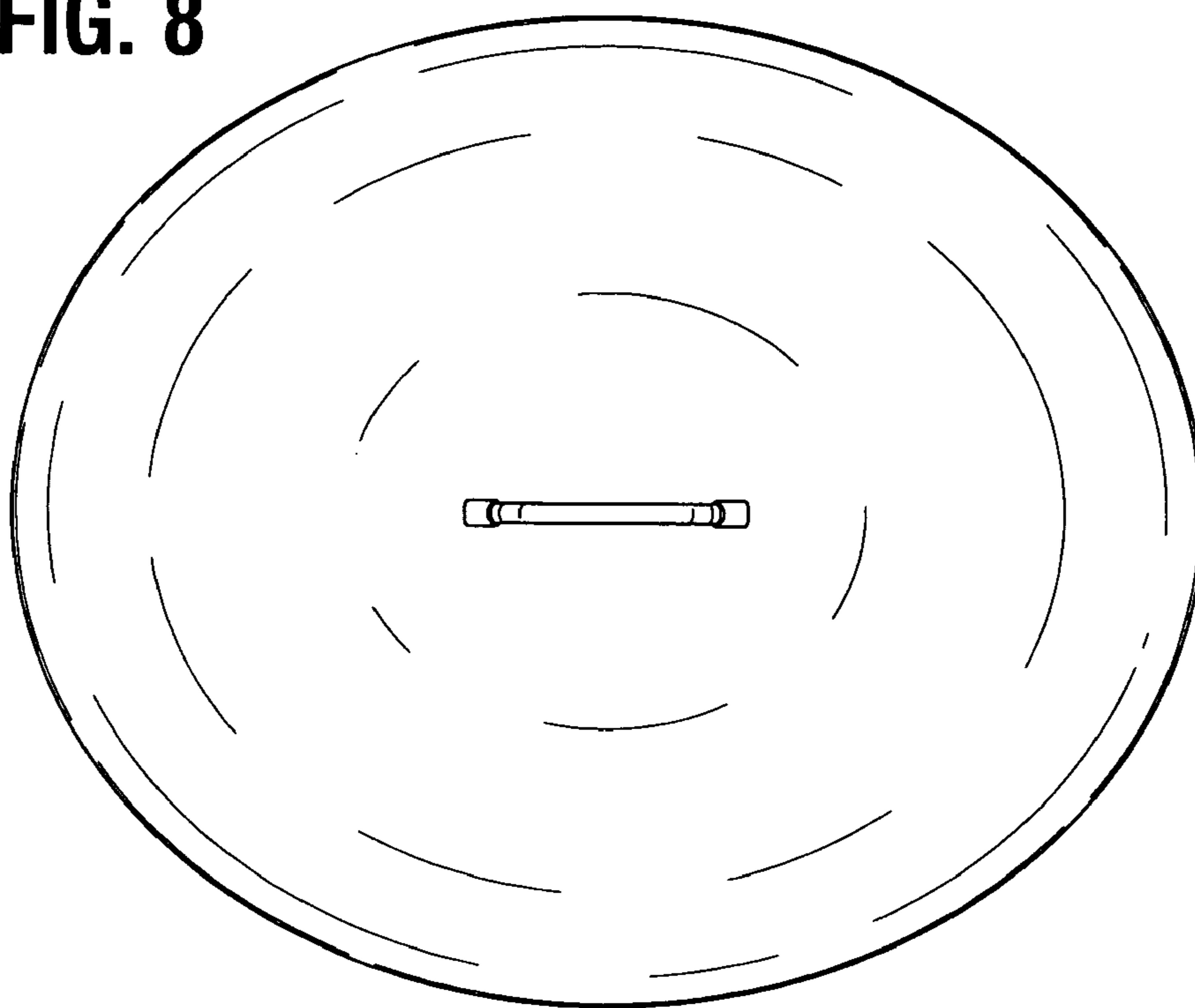
**FIG. 6**



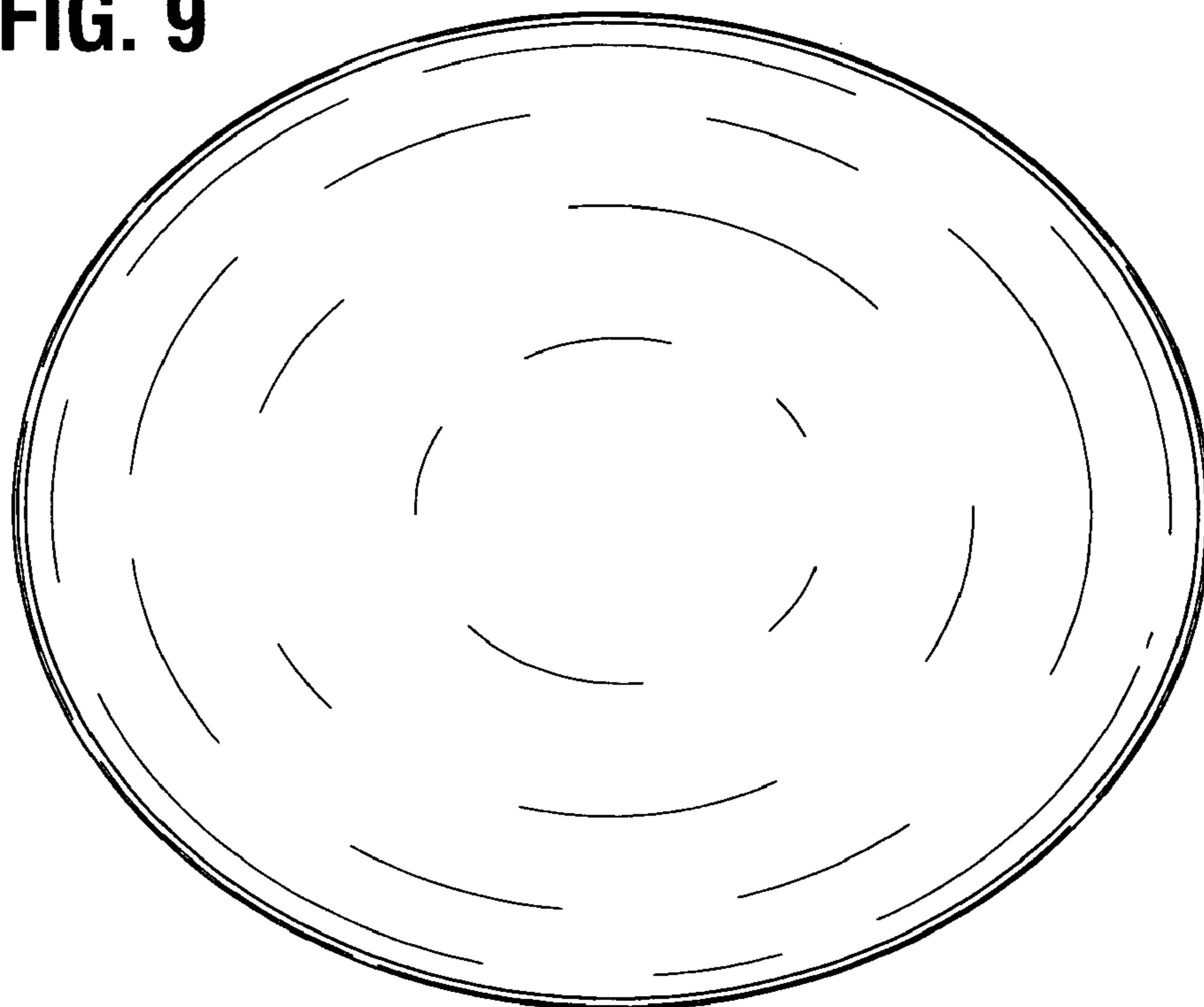
**FIG. 7**



**FIG. 8**

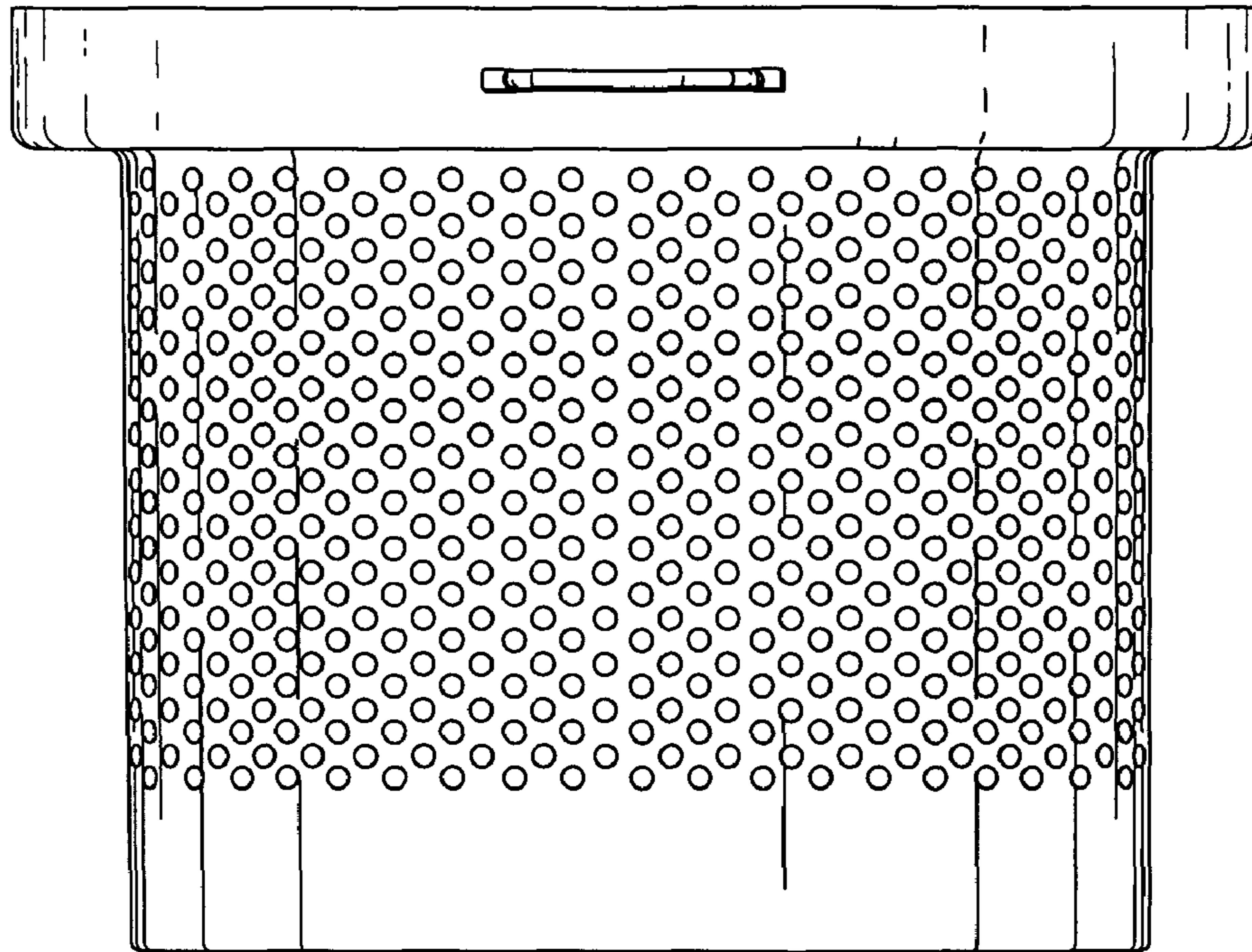


**FIG. 9**

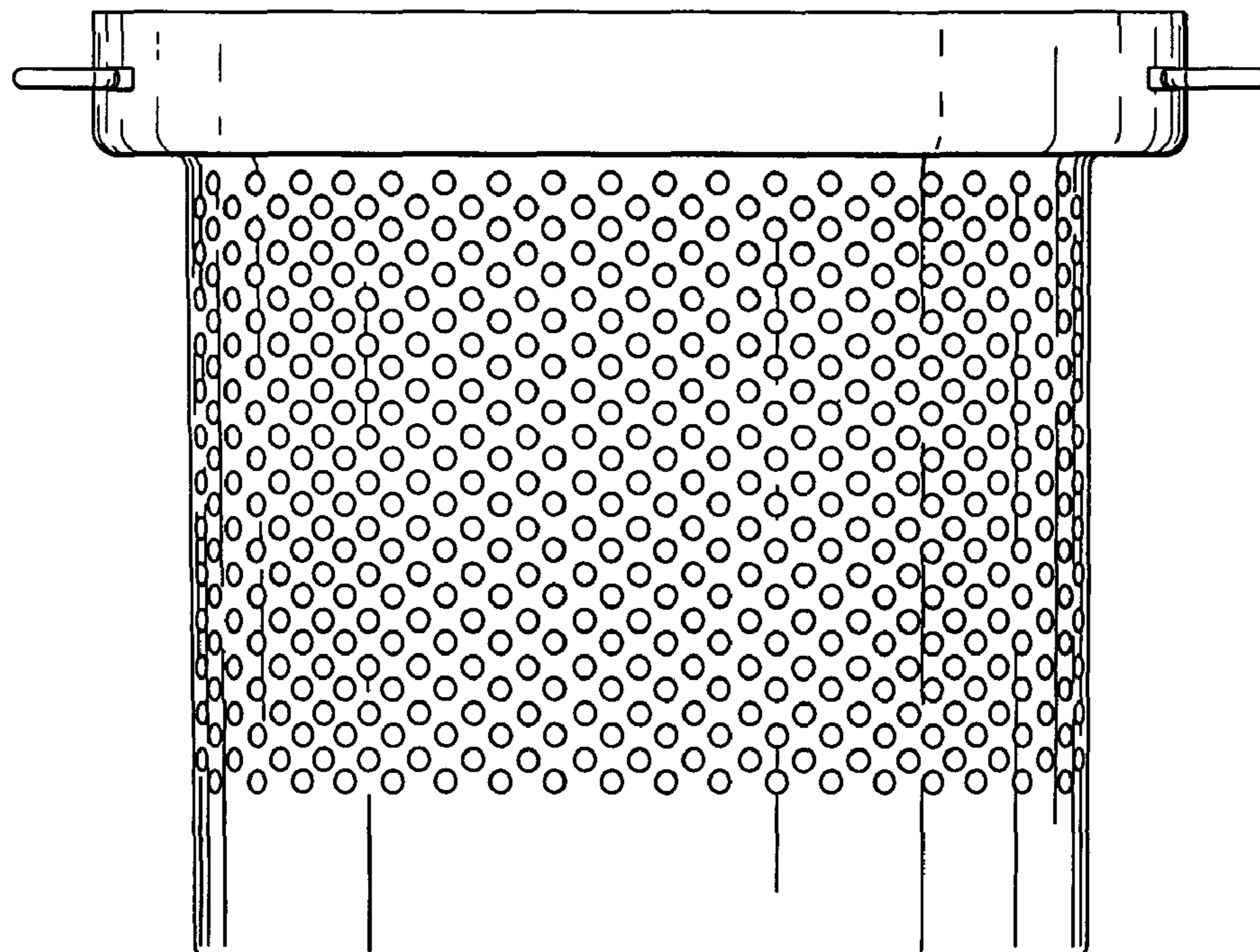




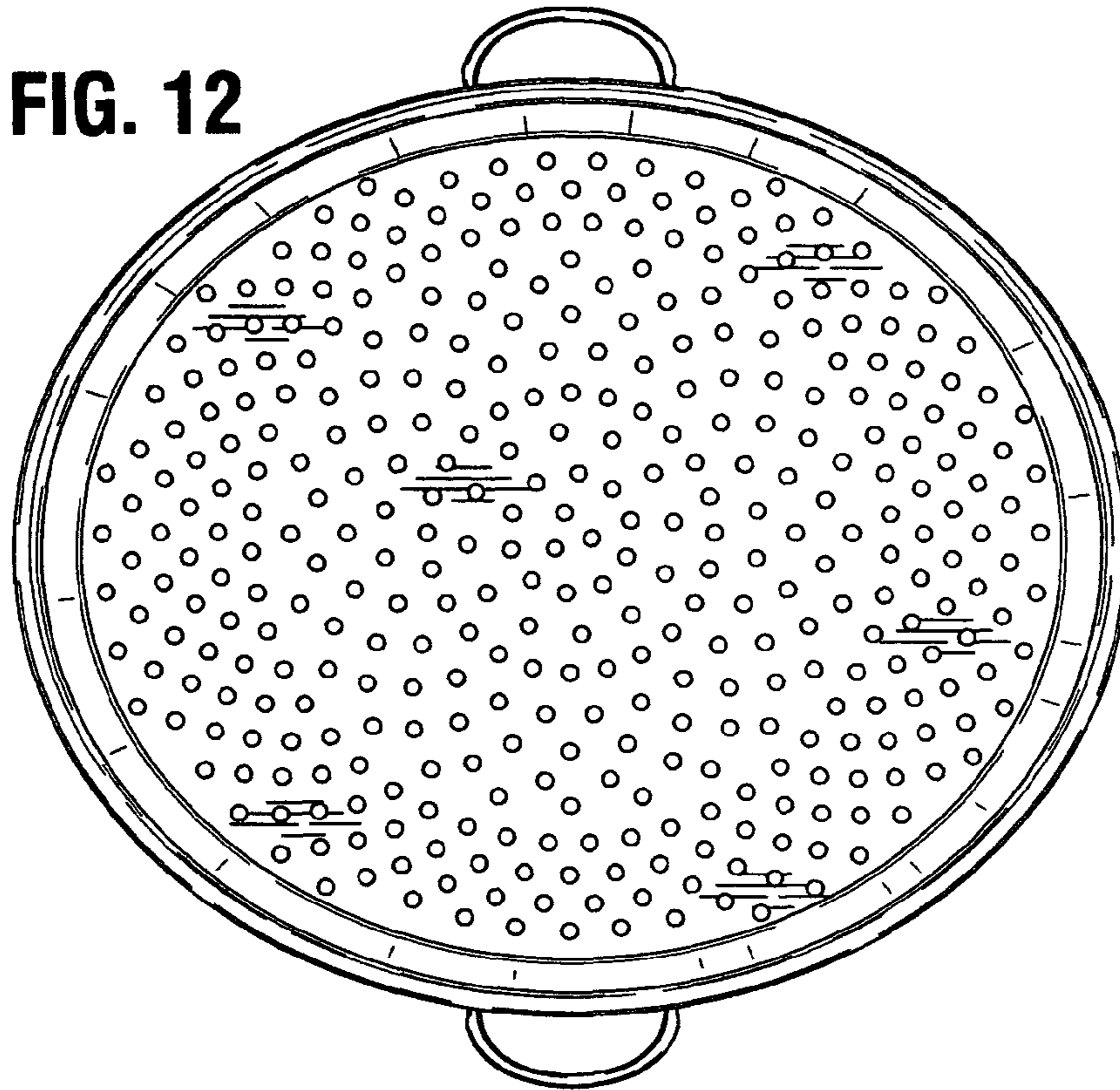
**FIG. 10**



**FIG. 11**



**FIG. 12**



**FIG. 13**

