



US00D653073S

(12) **United States Design Patent**
Difante

(10) **Patent No.:** **US D653,073 S**
(45) **Date of Patent:** **** Jan. 31, 2012**

(54) **COMBINED COOKING DEVICE**

(76) Inventor: **Agostino Difante**, San Clemente, CA
(US)

(**) Term: **14 Years**

(21) Appl. No.: **29/374,349**

(22) Filed: **Aug. 2, 2011**

(51) **LOC (9) Cl.** **07-02**

(52) **U.S. Cl.** **D7/357; D7/354**

(58) **Field of Classification Search** D7/323,
D7/329-332, 339, 346-347, 350.1-350.4,
D7/353-367, 391, 393, 395, 402, 406, 409,
D7/538, 542; 99/324-325, 331-332, 337-343,
99/369, 400-418, 422, 425, 444, 451, 483;
126/37 R, 261, 374.1, 378.1; 206/501-505,
206/507-508; 219/400, 405, 429-442, 620-624,
219/725, 730-735; 220/203.05, 203.07,
220/203.09, 298, 315-316, 573.1-573.5,
220/912; 426/438, 441

See application file for complete search history.

(56) **References Cited**

U.S. PATENT DOCUMENTS

D130,253 S *	11/1941	Pearce	D7/360
3,285,159 A *	11/1966	Greene	99/343
3,508,485 A *	4/1970	Munsey	99/331
D226,940 S *	5/1973	Lax	D7/360
D338,132 S *	8/1993	Chang	D7/356
6,263,787 B1 *	7/2001	Tseng et al.	99/413
6,269,737 B1 *	8/2001	Rigney et al.	99/339
6,313,446 B1 *	11/2001	Jones	219/433
6,314,869 B1 *	11/2001	Bourgeois, Jr.	99/340
6,446,545 B2 *	9/2002	Rigney	99/339
D481,903 S *	11/2003	Hester	D7/332
D486,348 S *	2/2004	Zhu	D7/332
D505,589 S *	5/2005	Hoff et al.	D7/409
6,941,857 B2 *	9/2005	McLemore	99/413
D525,821 S *	8/2006	Latzman et al.	D7/355

7,112,764 B2 *	9/2006	Garcia	219/429
D552,410 S *	10/2007	Hoff et al.	D7/356
D553,424 S *	10/2007	Lin	D7/354
D576,833 S *	9/2008	Mansell	D7/332
D585,236 S *	1/2009	McGinn	D7/360
D612,193 S *	3/2010	Darling	D7/354

(Continued)

Primary Examiner — Ricky Pham

(57) **CLAIM**

The ornamental design for a combined cooking device, as shown and described.

DESCRIPTION

FIG. 1 is an exploded perspective view of a combined cooking device with lid, strainer and container showing my new design;

FIG. 2 is a perspective view of the assembled cooking device of my new design;

FIG. 3 is a front elevational view of my design, the rear elevational view being a mirror image thereof;

FIG. 4 is a right side elevational view of my design, the left side elevational view being a mirror image thereof;

FIG. 5 is a top plan view of my design.

FIG. 6 is bottom plan view of my design.

FIG. 7 is a top view of the container of my design with the lid and strainer removed;

FIG. 8 is a top plan view of the lid of my design;

FIG. 9 is a bottom plan view of the lid of my design;

FIG. 10 is a front elevational view of the strainer of my design, the rear elevational view being a mirror image thereof;

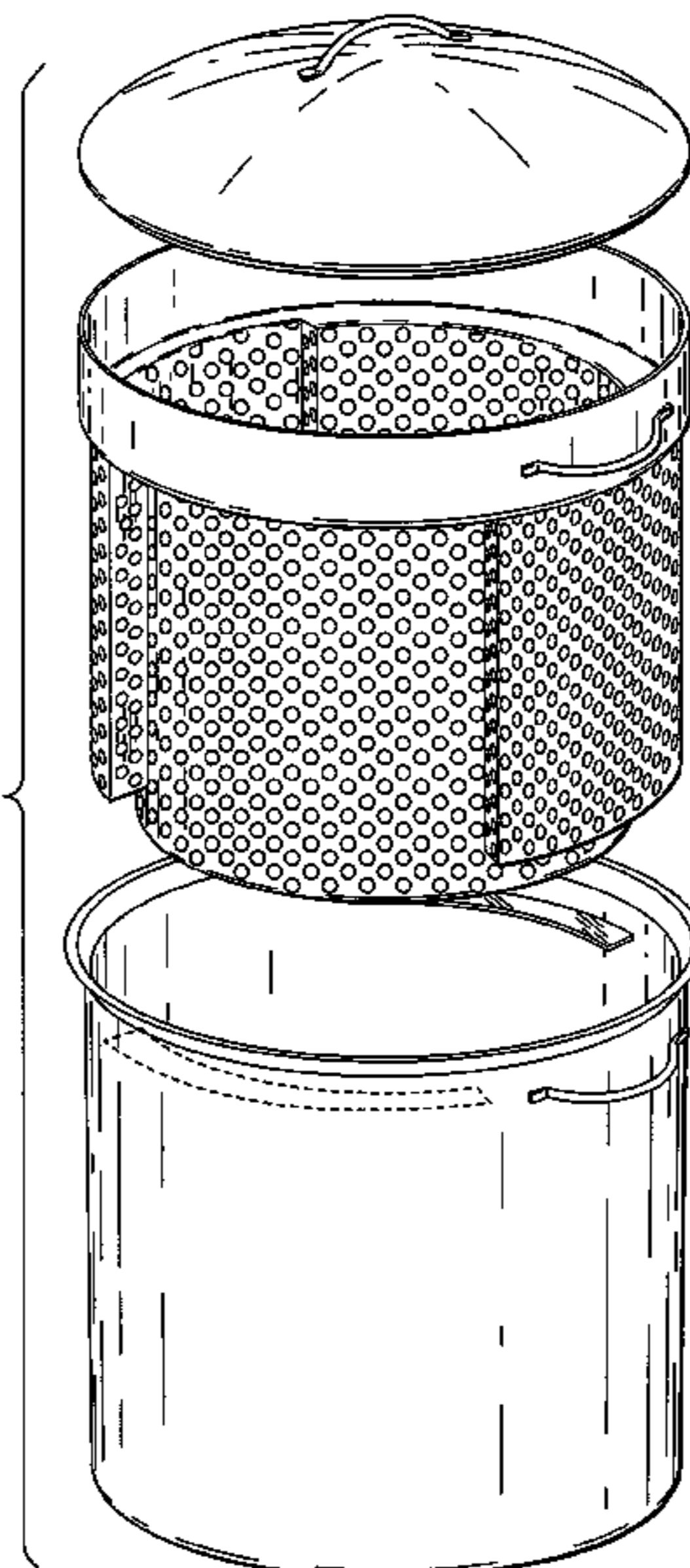
FIG. 11 is a right side elevational view of my design, the left side elevational view being a mirror image thereof;

FIG. 12 is a top view of the strainer of my design; and,

FIG. 13 is a bottom view thereof.

The broken lines shown in the drawings are for illustrative purposes only and form no part of the claimed design.

1 Claim, 8 Drawing Sheets



US D653,073 S

Page 2

U.S. PATENT DOCUMENTS

* cited by examiner

D635,393 S * 4/2011 Nakatani D7/360
D642,421 S * 8/2011 Difante D7/357
2002/0038802 A1* 4/2002 Tersch 220/573.4

FIG. 1

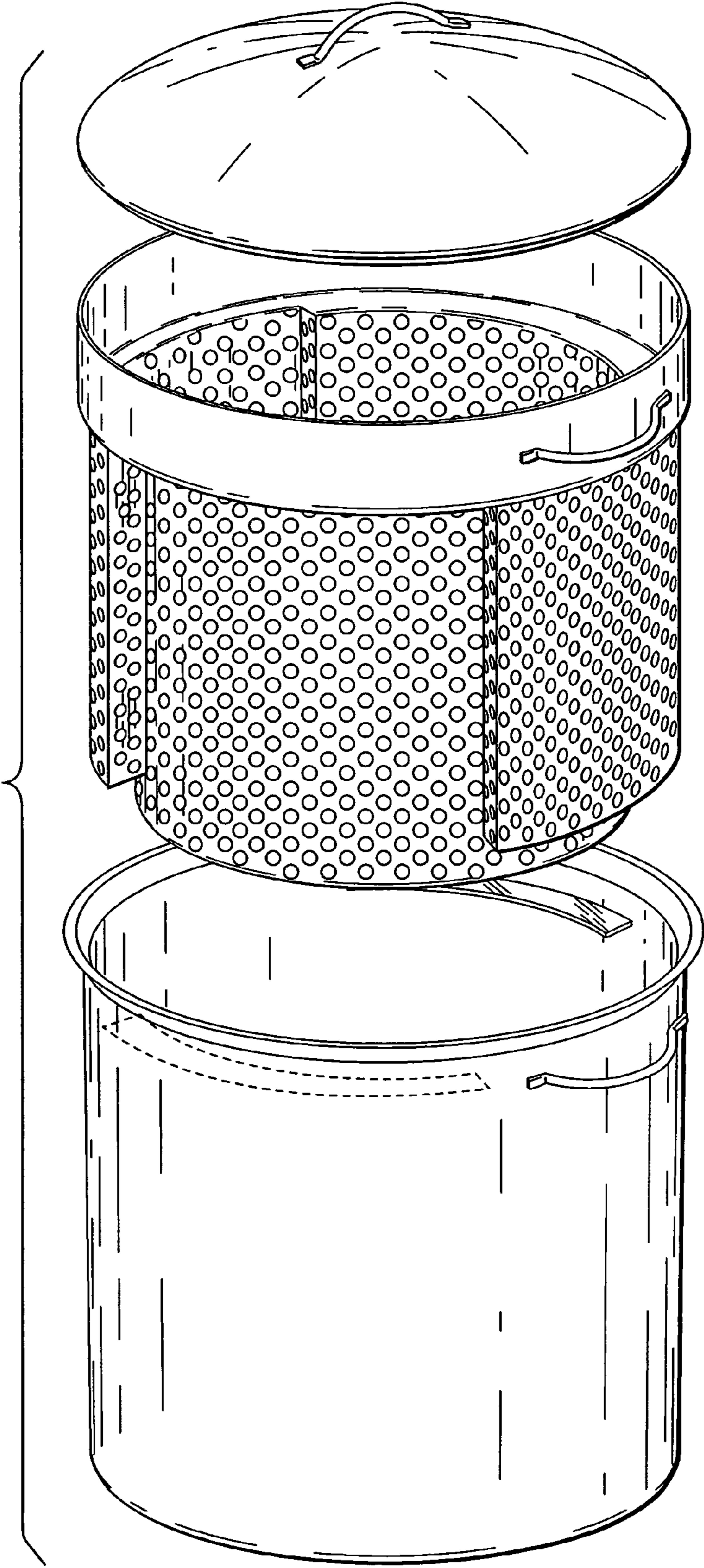


FIG. 2

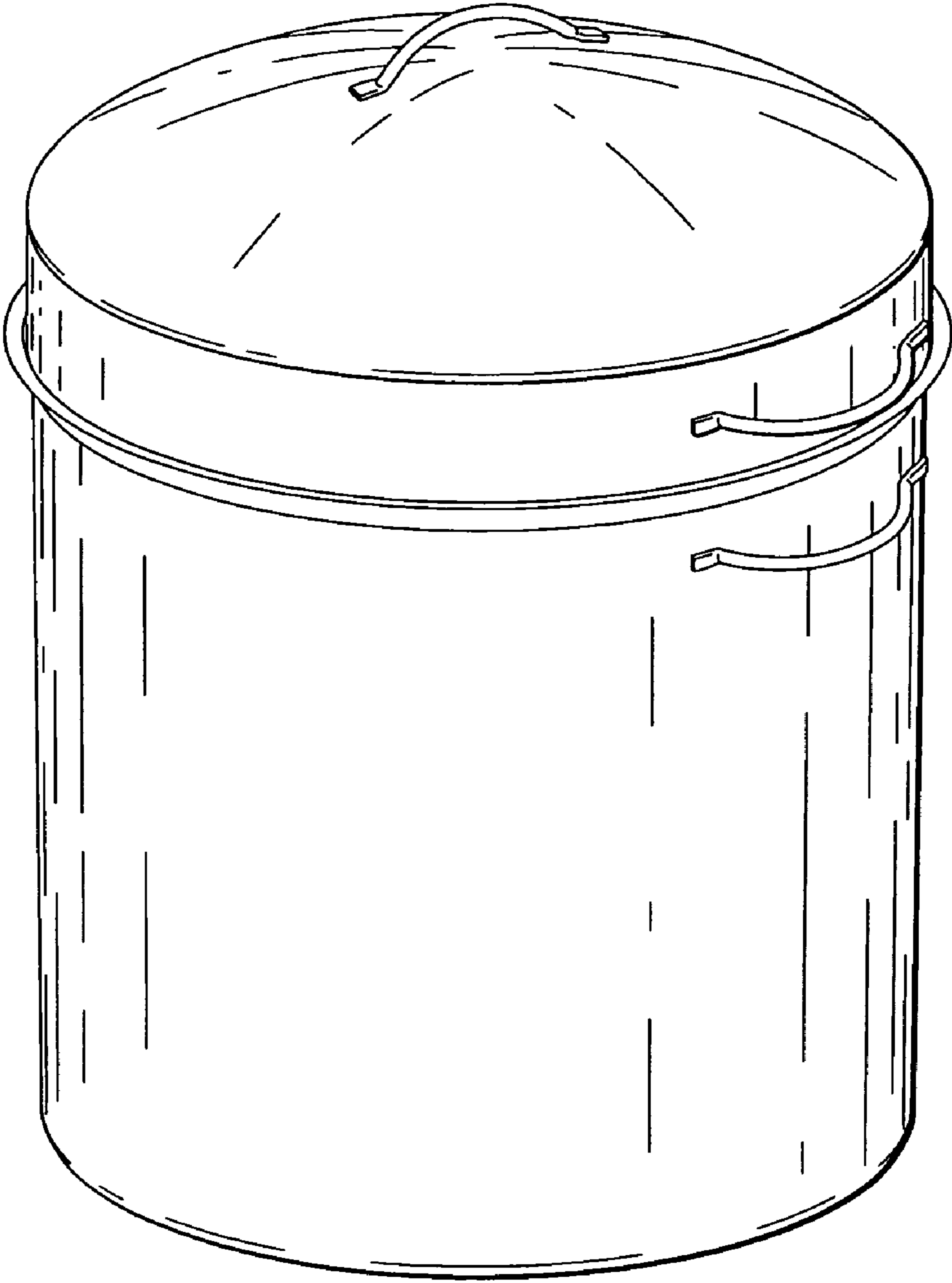


FIG. 4

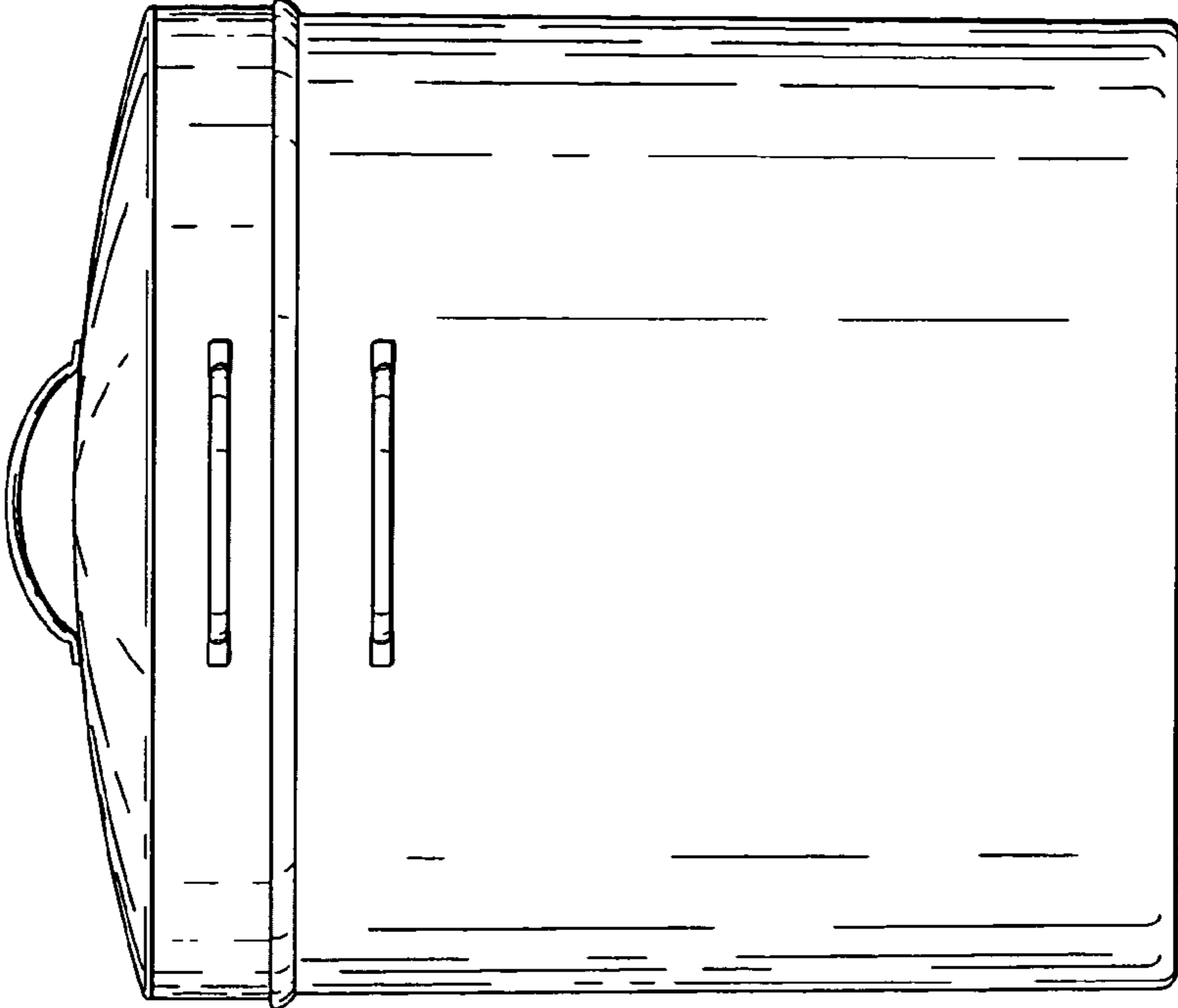


FIG. 3

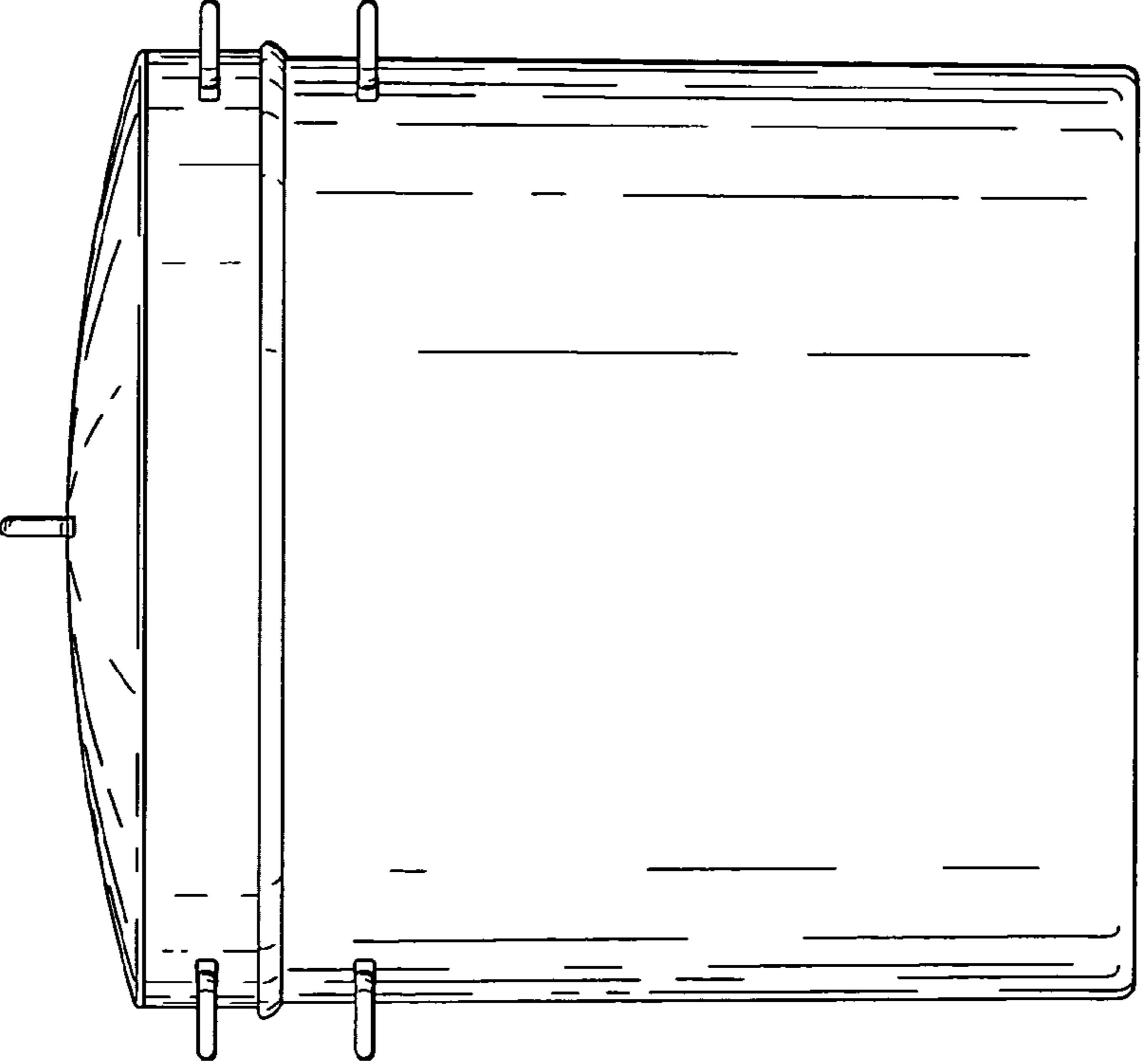


FIG. 5

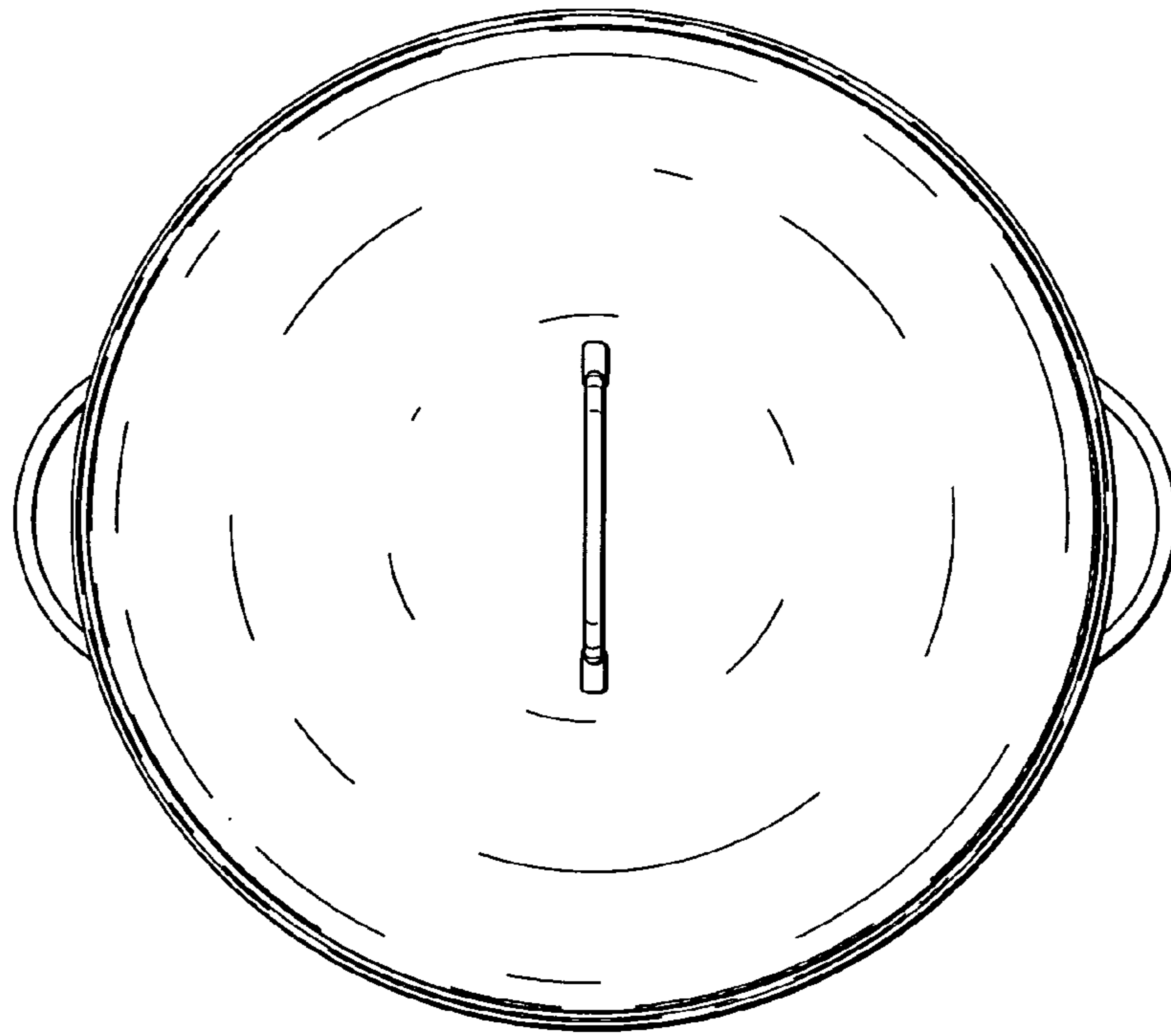


FIG. 6

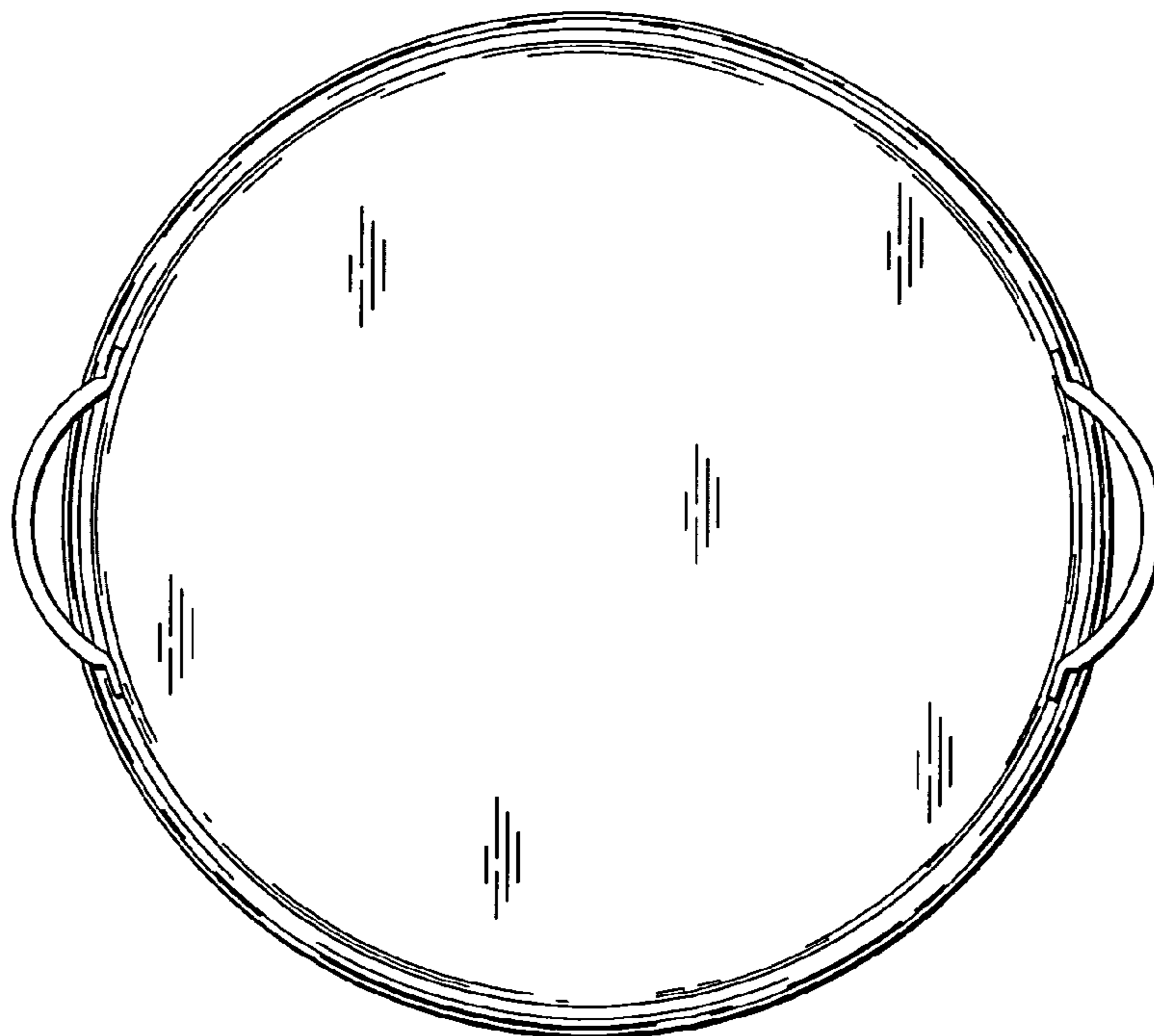


FIG. 7

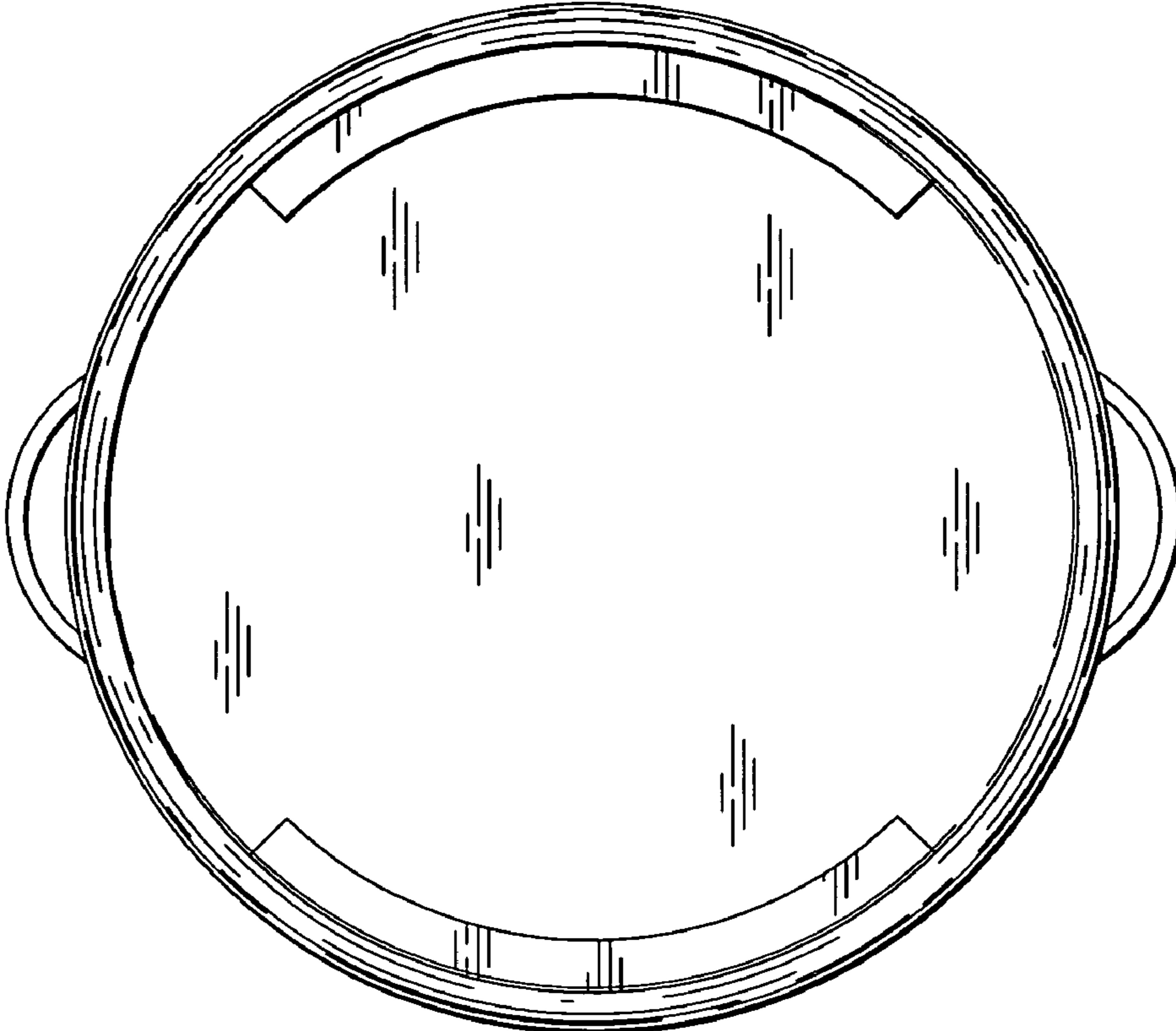


FIG. 8

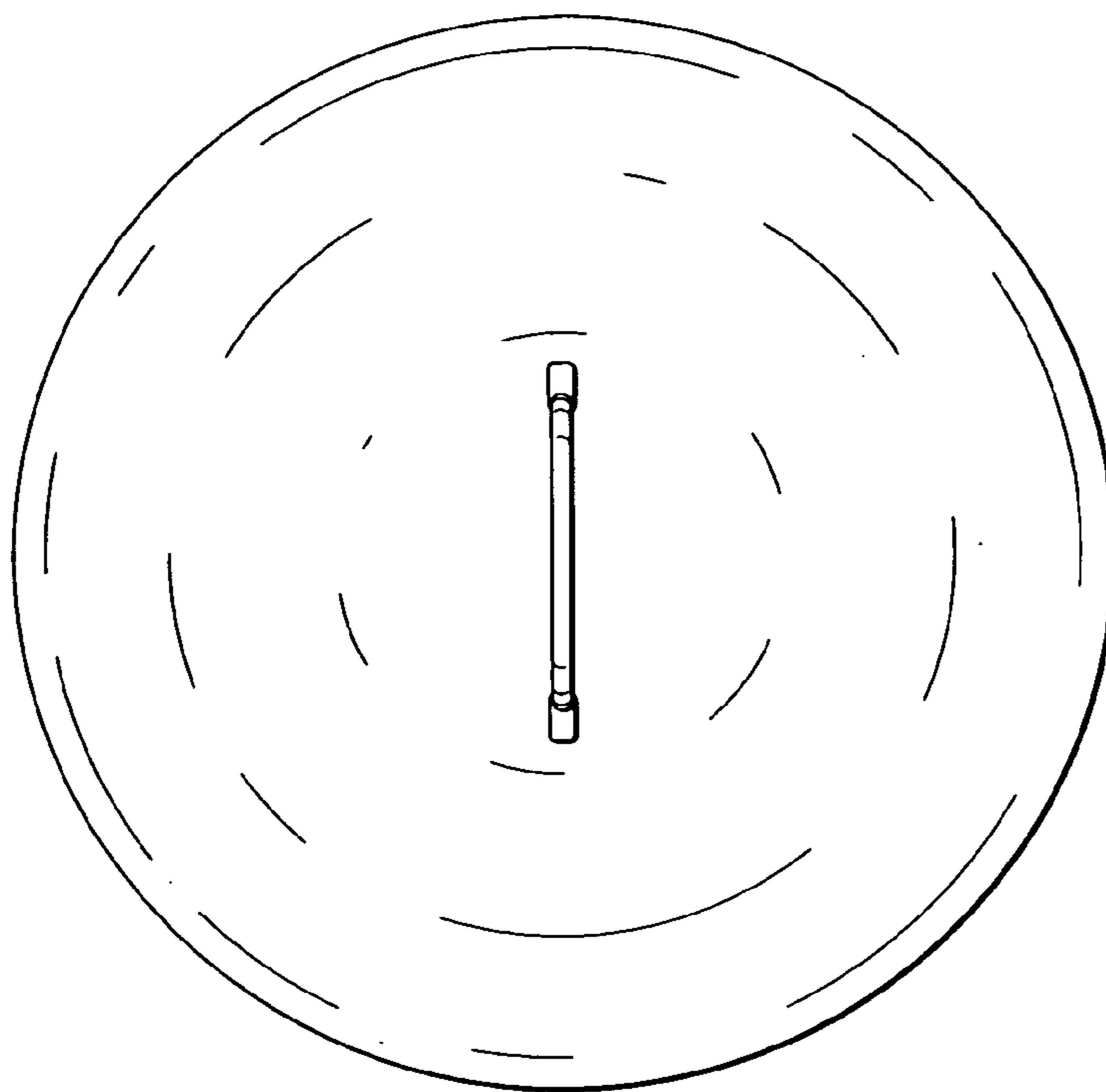


FIG. 9

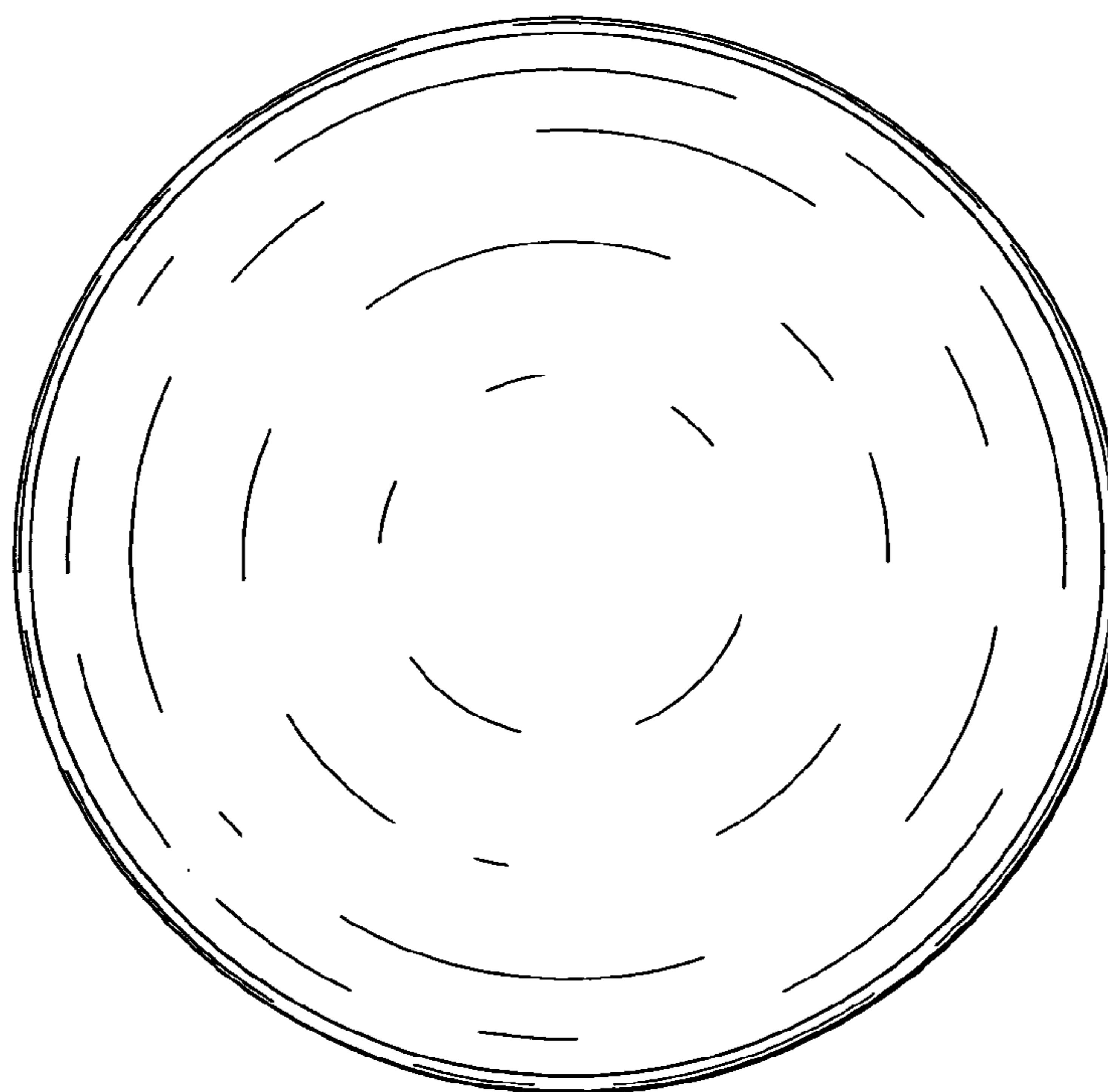


FIG. 10

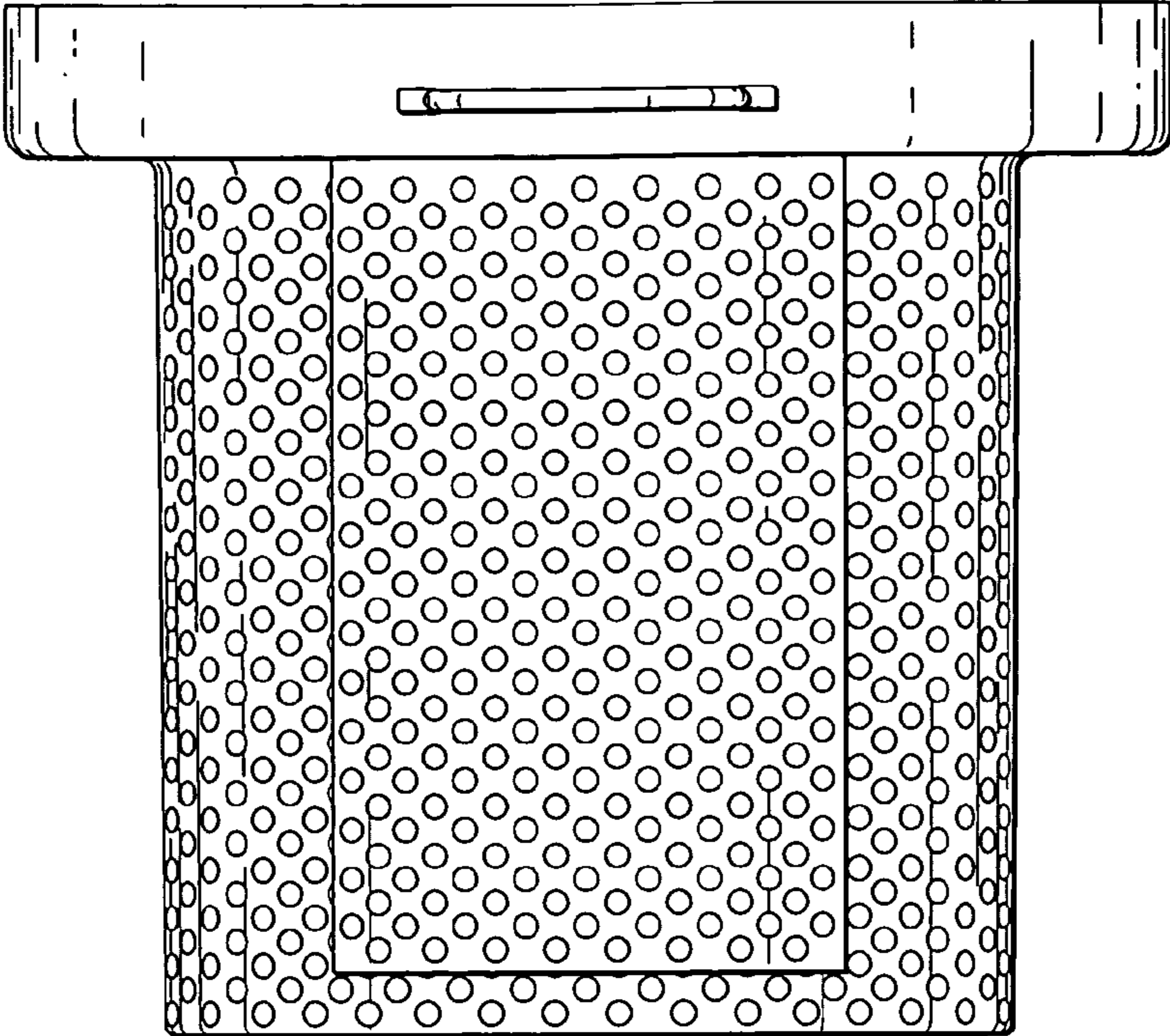


FIG. 11

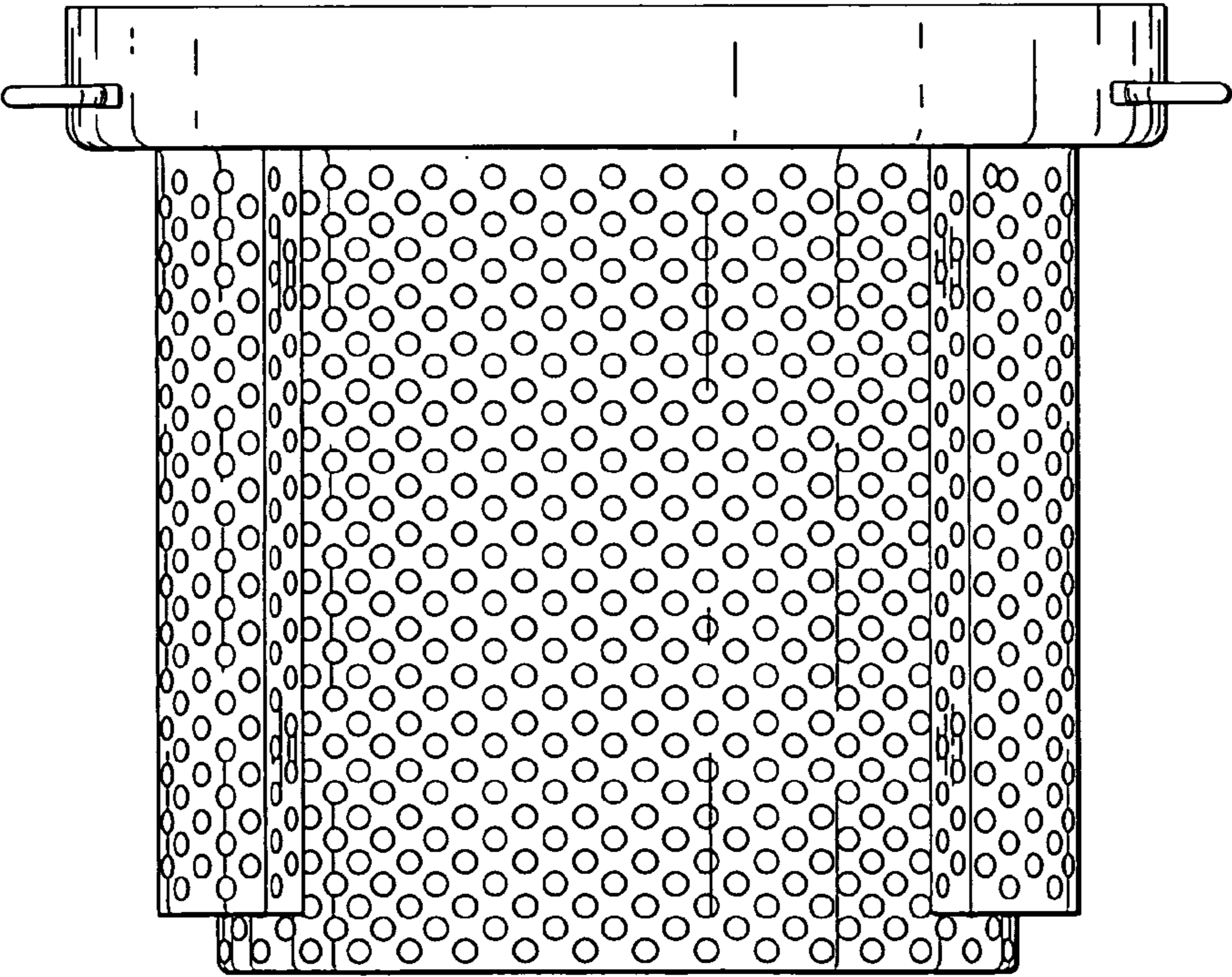


FIG. 12

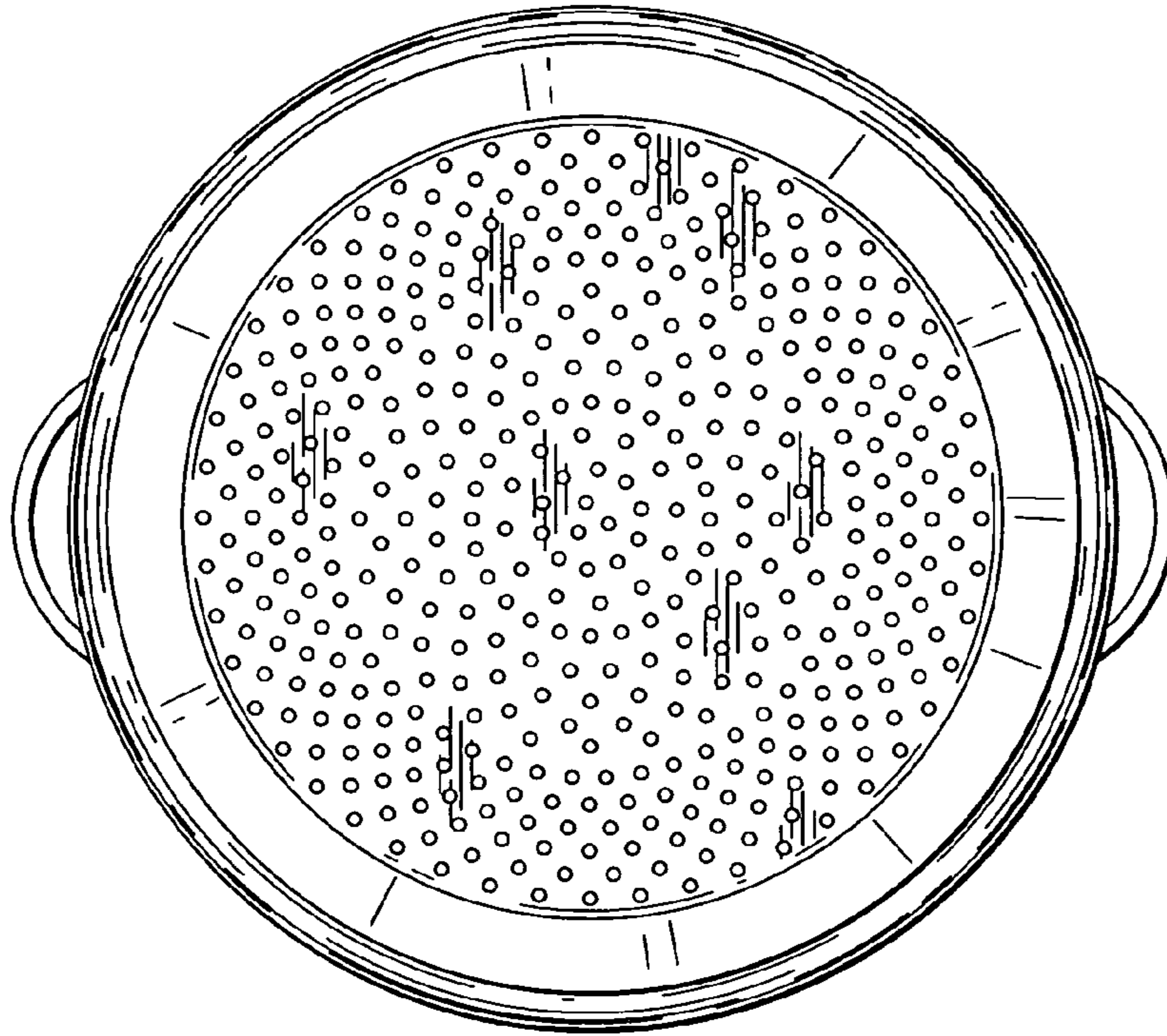


FIG. 13

