



US00D653066S

(12) **United States Design Patent**  
**Henderson**

(10) **Patent No.:** **US D653,066 S**

(45) **Date of Patent:** **\*\* Jan. 31, 2012**

(54) **POSITIONABLE TABLET HOLDER**

(76) Inventor: **Tim Henderson**, Hong Kong (CN)

(\*\*) Term: **14 Years**

(21) Appl. No.: **29/374,334**

(22) Filed: **Aug. 1, 2011**

(51) **LOC (9) Cl.** ..... **06-04**

(52) **U.S. Cl.** ..... **D6/553**

(58) **Field of Classification Search** ..... D6/312,  
D6/419, 429, 406.2, 512, 513, 514, 553, 567;  
248/441.1, 447, 448, 454, 455, 457, 458,  
248/446

See application file for complete search history.

(56) **References Cited**

U.S. PATENT DOCUMENTS

- D205,848 S \* 9/1966 Poole ..... D6/512
- D342,173 S \* 12/1993 Kirchner et al. .... D6/511
- D398,796 S \* 9/1998 Fauchald et al. .... D6/512

D618,009 S \* 6/2010 Lancet ..... D6/419  
\* cited by examiner

*Primary Examiner* — Brian N Vinson

(74) *Attorney, Agent, or Firm* — William A. Jeckle

(57) **CLAIM**

I claim the ornamental design for positionable tablet holder, as shown and described.

**DESCRIPTION**

FIG. 1 is an isometric top, side and back view of the positionable tablet holder showing my design.

FIG. 2 is an orthographic front view thereof.

FIG. 3 is an orthographic back view thereof.

FIG. 4 is an orthographic left side view thereof.

FIG. 5 is an orthographic right side view thereof.

FIG. 6 is an orthographic top, downward looking view thereof; and,

FIG. 7 is an orthographic bottom, upward looking view thereof.

**1 Claim, 7 Drawing Sheets**

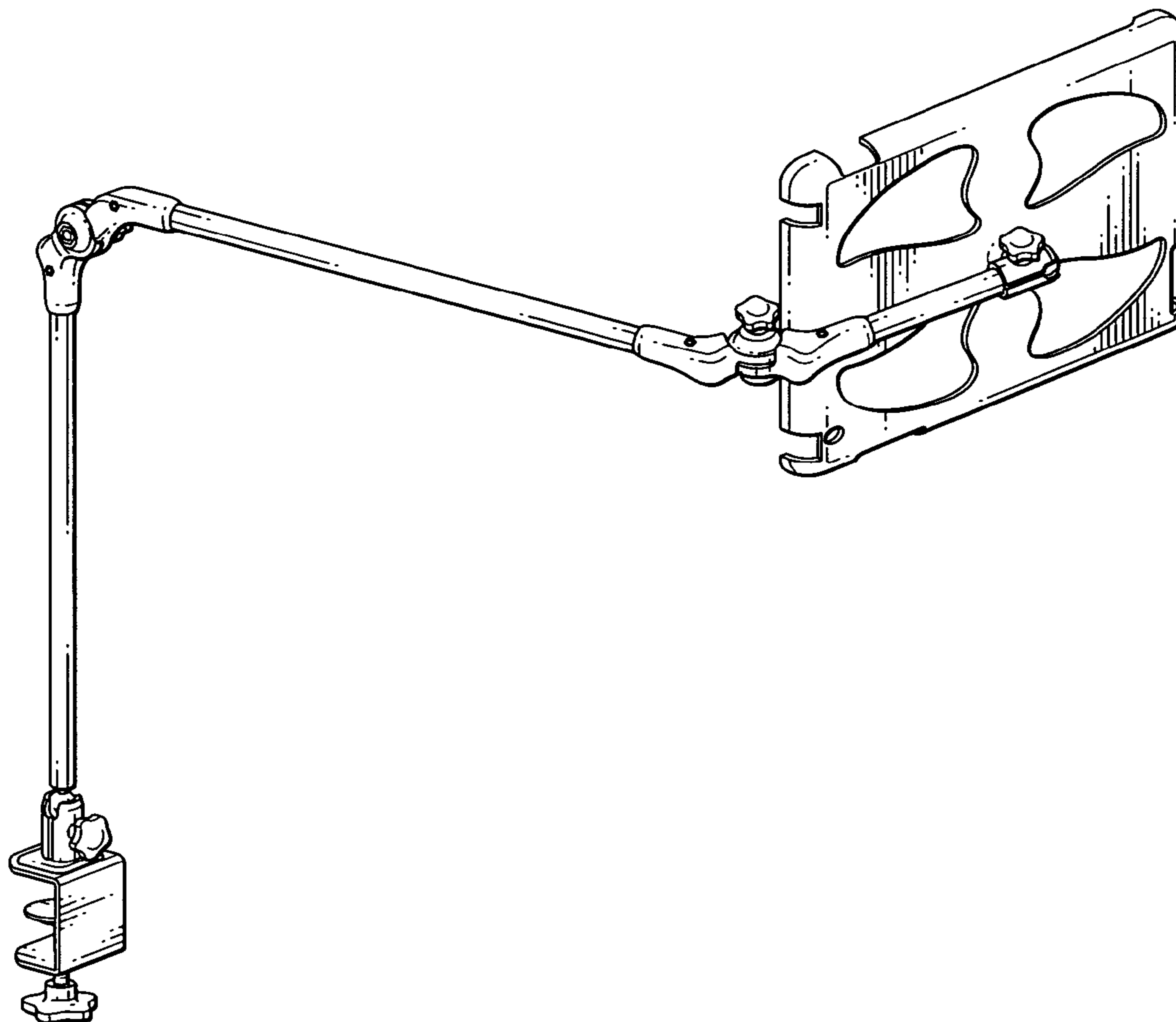
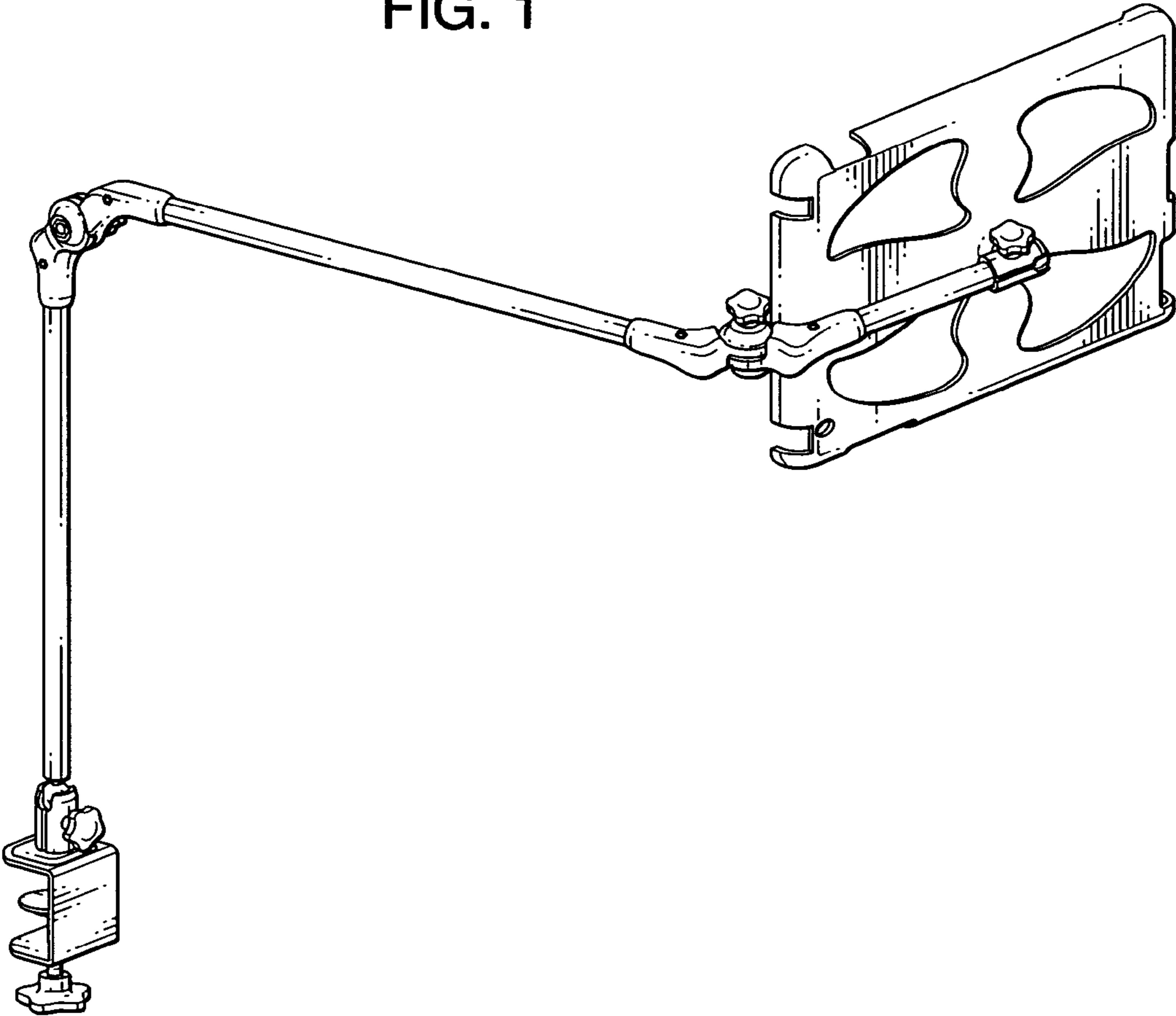


FIG. 1



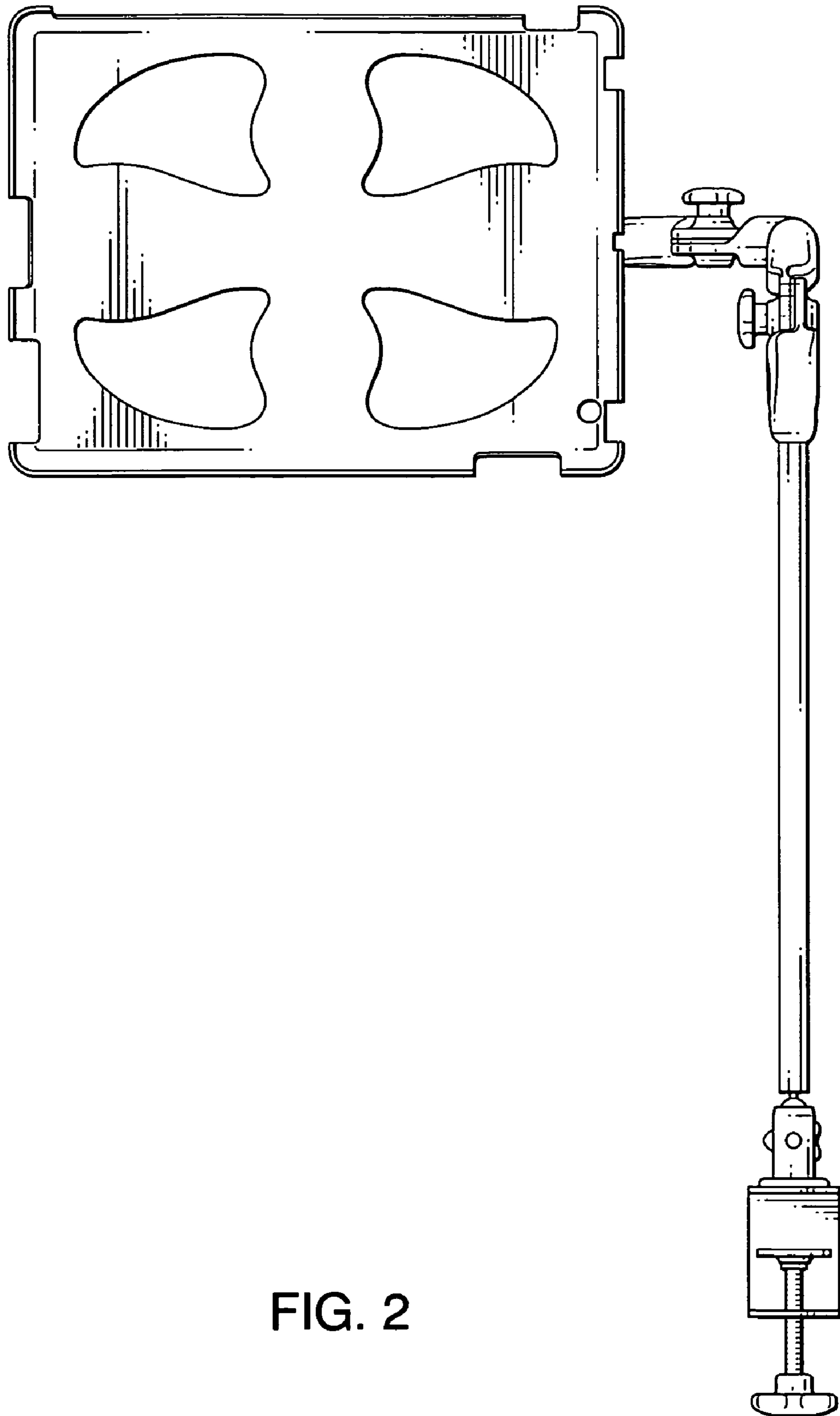


FIG. 2

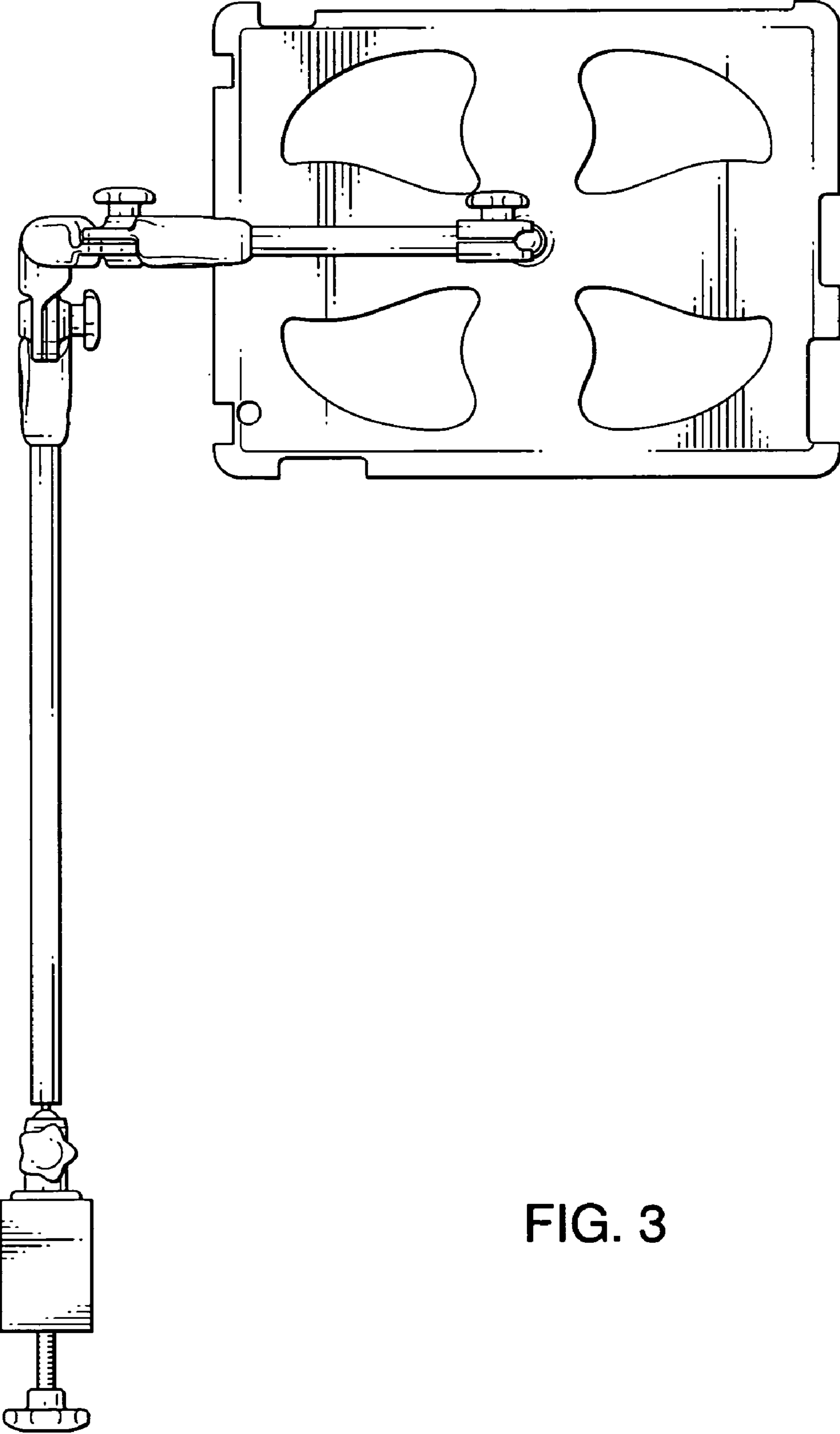


FIG. 3

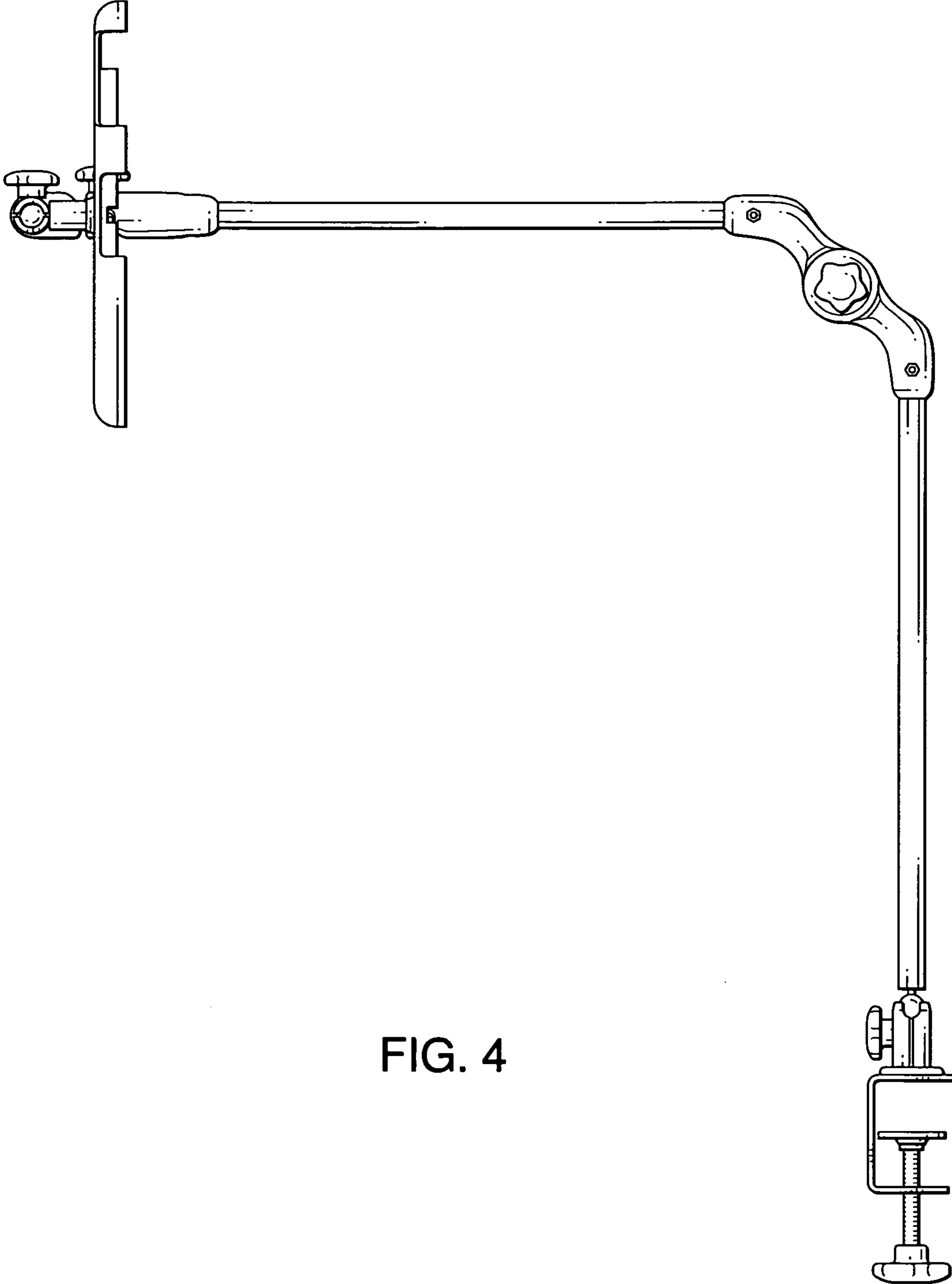


FIG. 4

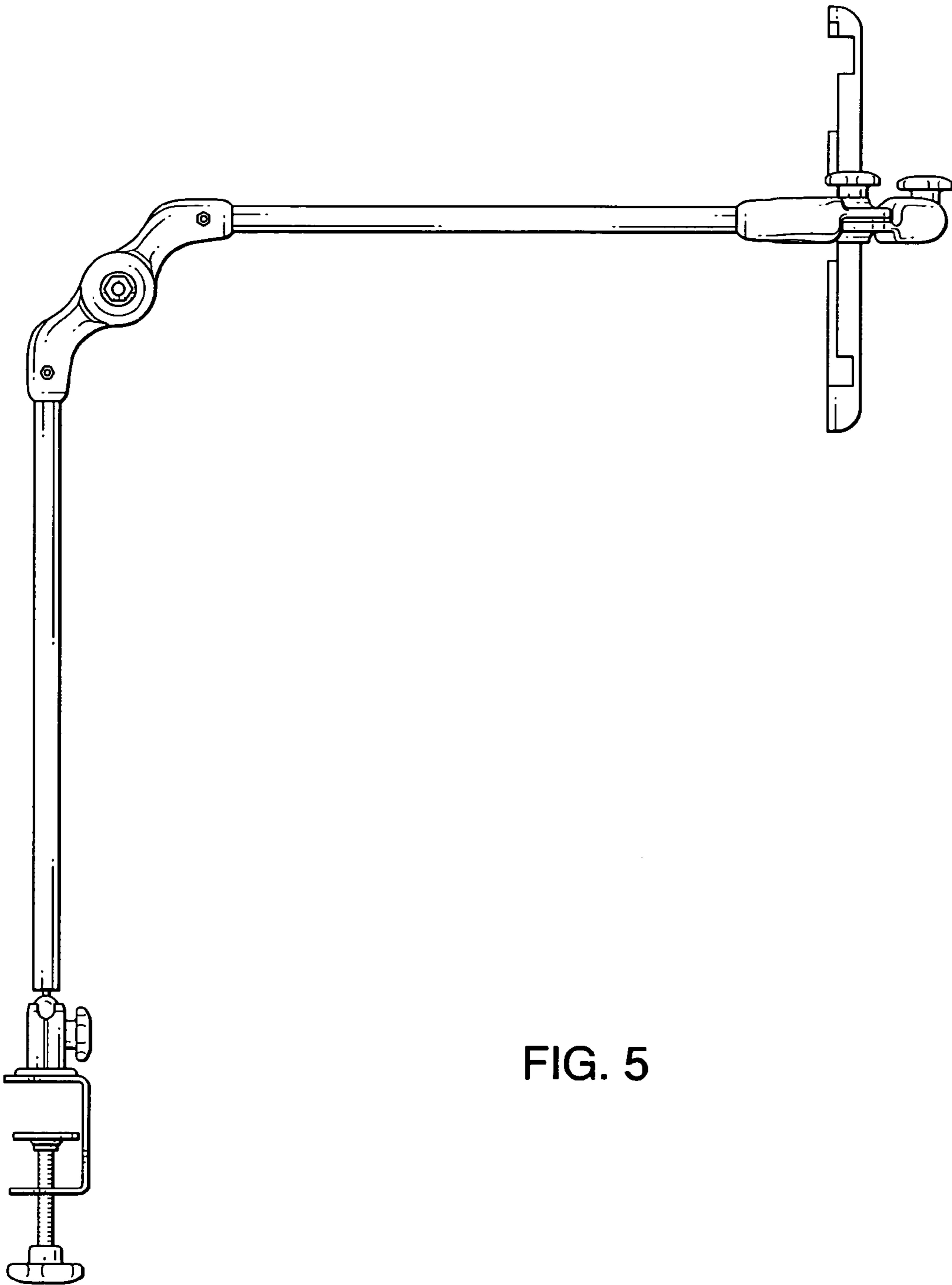


FIG. 5

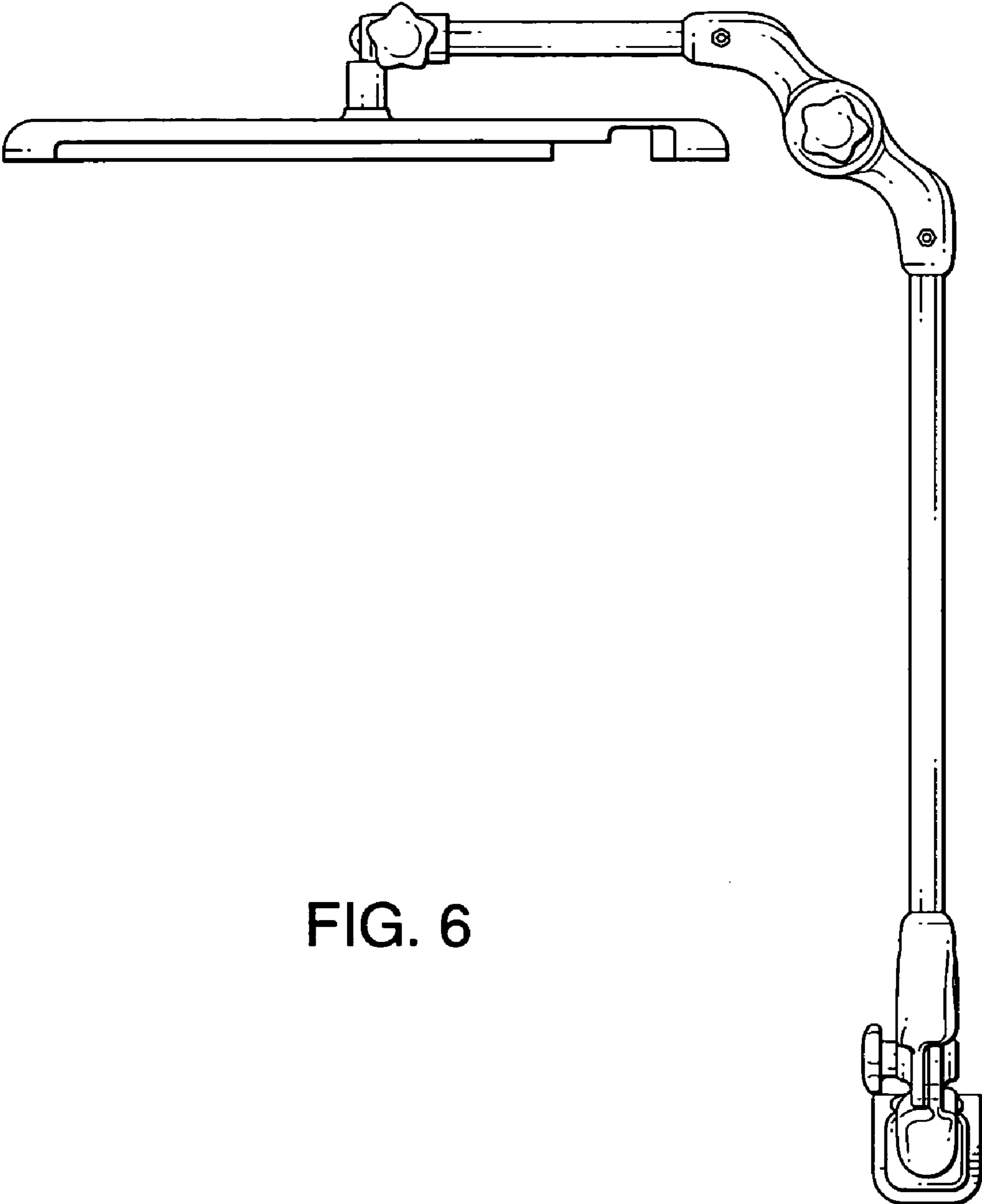


FIG. 6

FIG. 7

