



US00D653065S

(12) **United States Design Patent**
Dieron

(10) **Patent No.:** **US D653,065 S**

(45) **Date of Patent:** **** Jan. 31, 2012**

(54) **EQUIPMENT HANGER**

(76) Inventor: **Randy Dieron**, Kaneohe, HI (US)

(**) Term: **14 Years**

(21) Appl. No.: **29/392,135**

(22) Filed: **May 18, 2011**

(51) **LOC (9) Cl.** **06-06**

(52) **U.S. Cl.** **D6/514**

(58) **Field of Classification Search** D6/315-317,
D6/320, 323, 328, 513, 514, 570, 572; D8/356,
D8/367, 372, 373; 211/13.1, 30, 32, 59.1,
211/71.01, 85.3, 86.01, 106.01, 113, 118;
223/85-98; 248/68.1, 690-692

See application file for complete search history.

(56) **References Cited**

U.S. PATENT DOCUMENTS

2,488,326 A * 11/1949 Pratt 211/59.1
D228,737 S * 10/1973 Mathews D8/372

D257,928 S * 1/1981 Lozano D8/373
D453,086 S * 1/2002 Ratia D6/570
D580,661 S * 11/2008 Belokin D6/315

* cited by examiner

Primary Examiner — Brian N Vinson

(74) *Attorney, Agent, or Firm* — QuickPatents, Inc.; Kevin Prince

(57) **CLAIM**

I claim the ornamental design for an equipment hanger, as shown and described.

DESCRIPTION

FIG. 1 is a perspective view of an equipment hanger, showing my new design;

FIG. 2 is a top plan view thereof;

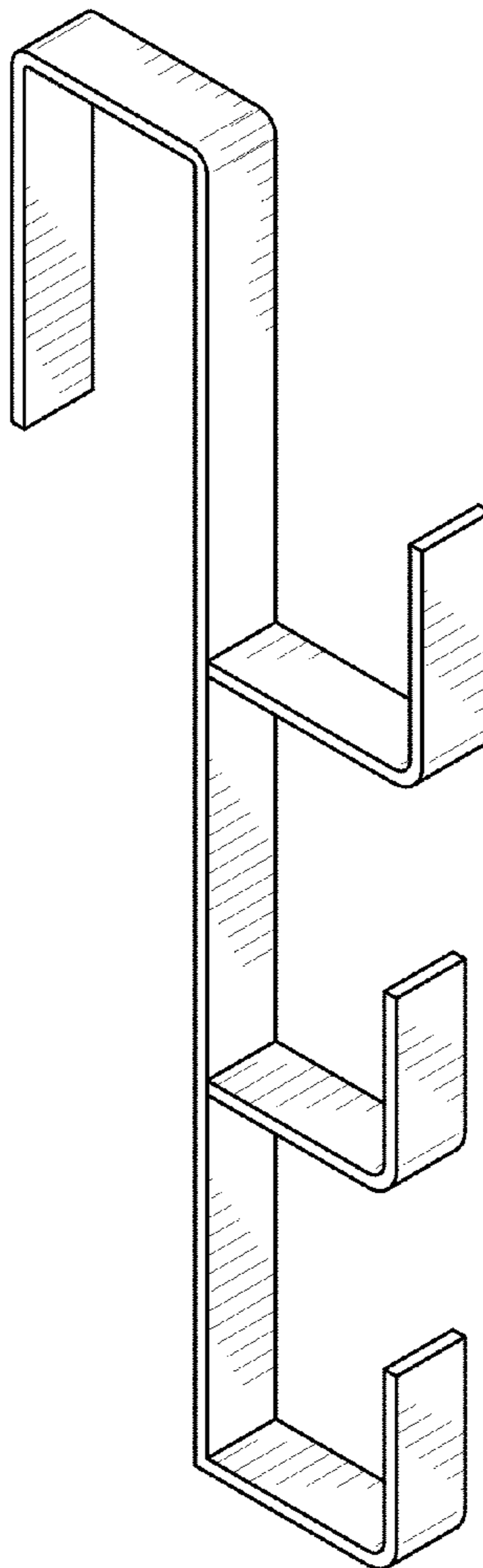
FIG. 3 is a bottom plan view thereof;

FIG. 4 is a rear elevational view thereof;

FIG. 5 is a right-side elevational view thereof; and,

FIG. 6 is a front elevational view thereof.

1 Claim, 2 Drawing Sheets



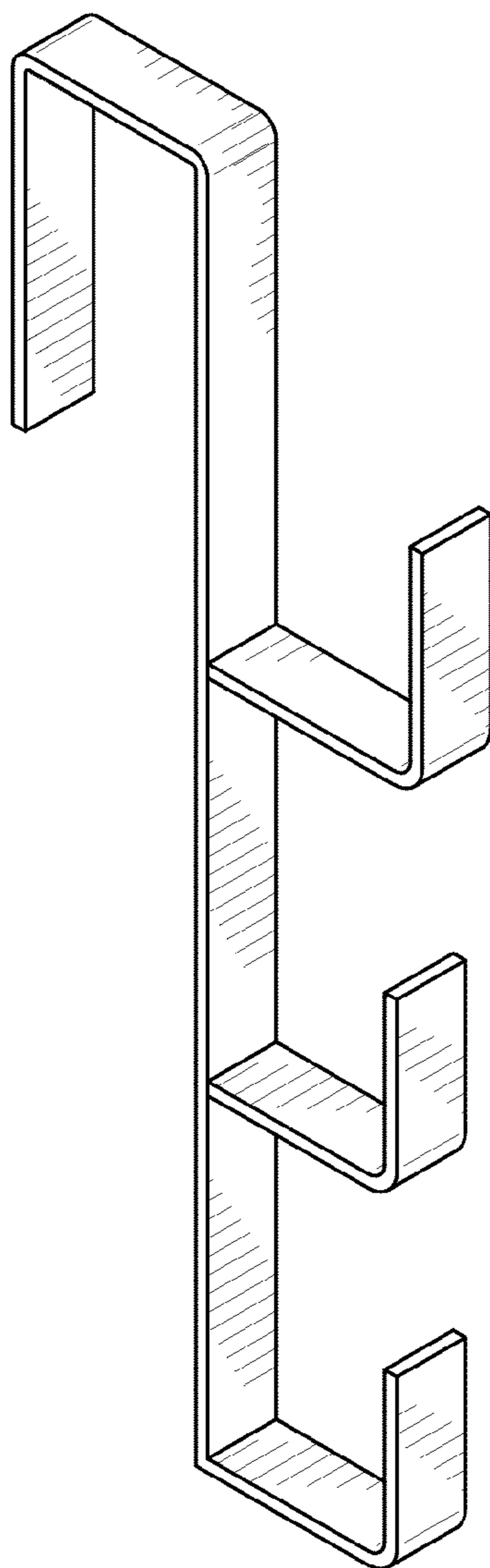


FIG. 1



FIG. 2

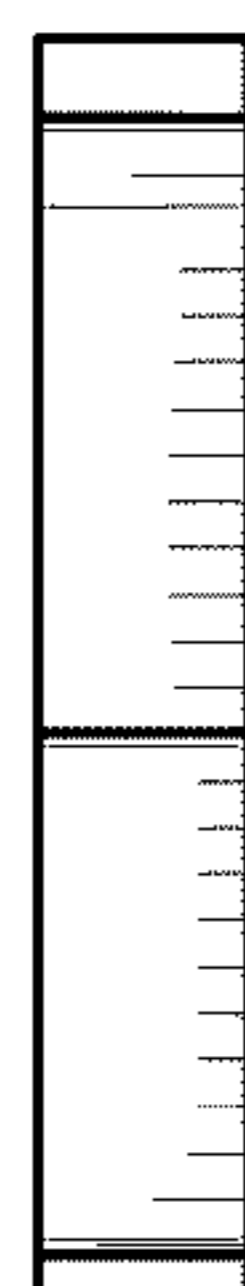


FIG. 3

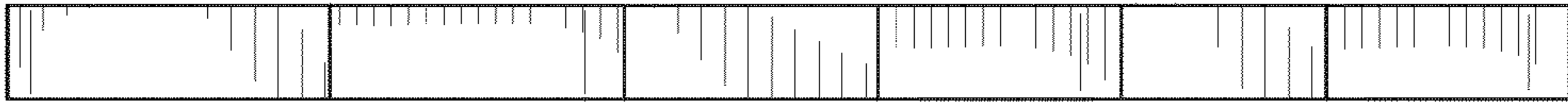


FIG. 4

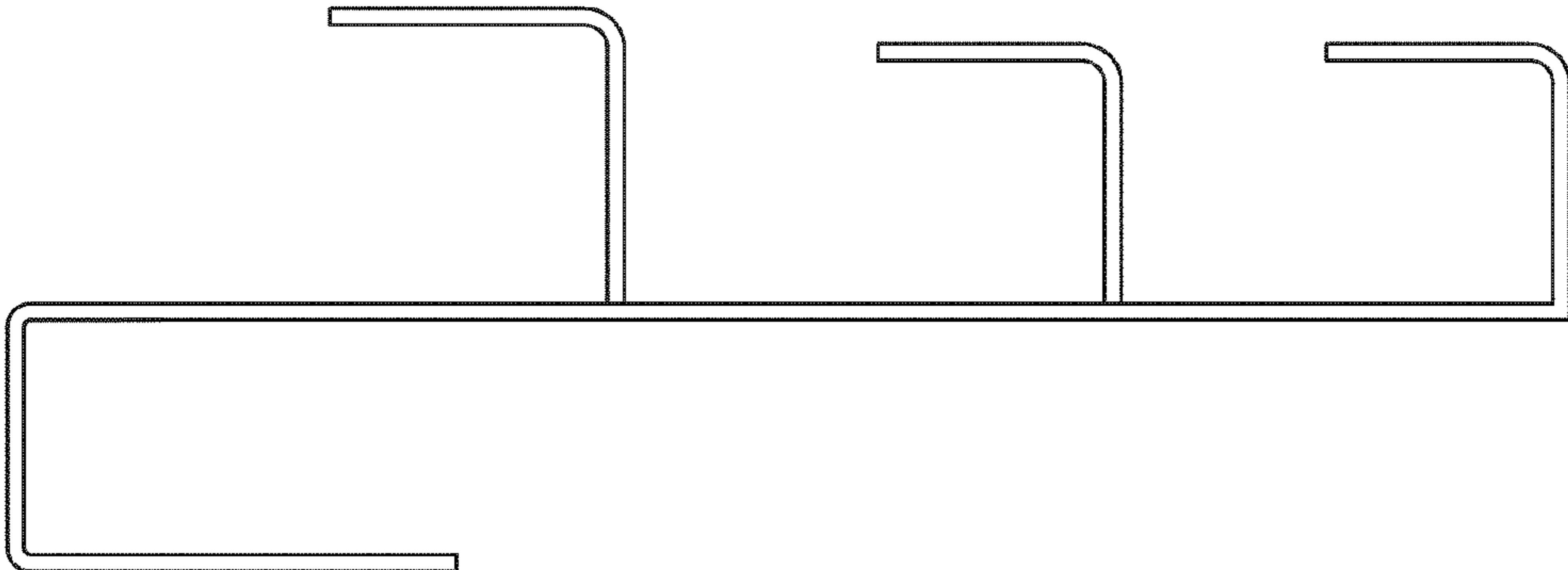


FIG. 5

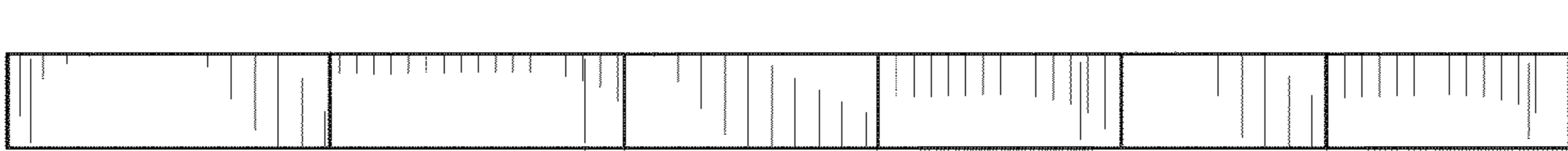


FIG. 6