



US00D653064S

(12) **United States Design Patent**
Lutt

(10) **Patent No.:** **US D653,064 S**
(45) **Date of Patent:** **** Jan. 31, 2012**

(54) **SUPPORT FOR AN AIR HANDLER**

(76) Inventor: **Robert R. Lutt**, Haltom City, TX (US)

(**) Term: **14 Years**

(21) Appl. No.: **29/368,684**

(22) Filed: **Aug. 26, 2010**

(51) **LOC (9) Cl.** **06-06**

(52) **U.S. Cl.** **D6/513**

(58) **Field of Classification Search** D6/513,
D6/362, 574, 572, 566; 297/425; D12/317,
D12/400, 406, 223, 425; 211/13.1, 85.7,
211/86.01, 87.01, 90.01, 134; 108/42, 149;
248/127, 176.1, 200, 201, 235, 250
See application file for complete search history.

(56) **References Cited**

U.S. PATENT DOCUMENTS

- D416,152 S * 11/1999 Payne et al. D6/513
- D459,926 S * 7/2002 Mikich et al. D6/513
- D470,353 S * 2/2003 Mikich et al. D6/513

- D528,811 S * 9/2006 Giugiaro D6/513
- D538,088 S * 3/2007 Ruff D6/513
- D553,401 S * 10/2007 Peddycord D6/513

* cited by examiner

Primary Examiner — Brian N Vinson

(74) *Attorney, Agent, or Firm* — Law Office of J. D. Pemberton; John Pemberton

(57) **CLAIM**

The ornamental design for a support for an air handler, as shown and described.

DESCRIPTION

FIG. 1 includes a top perspective view of a support for an air handler;

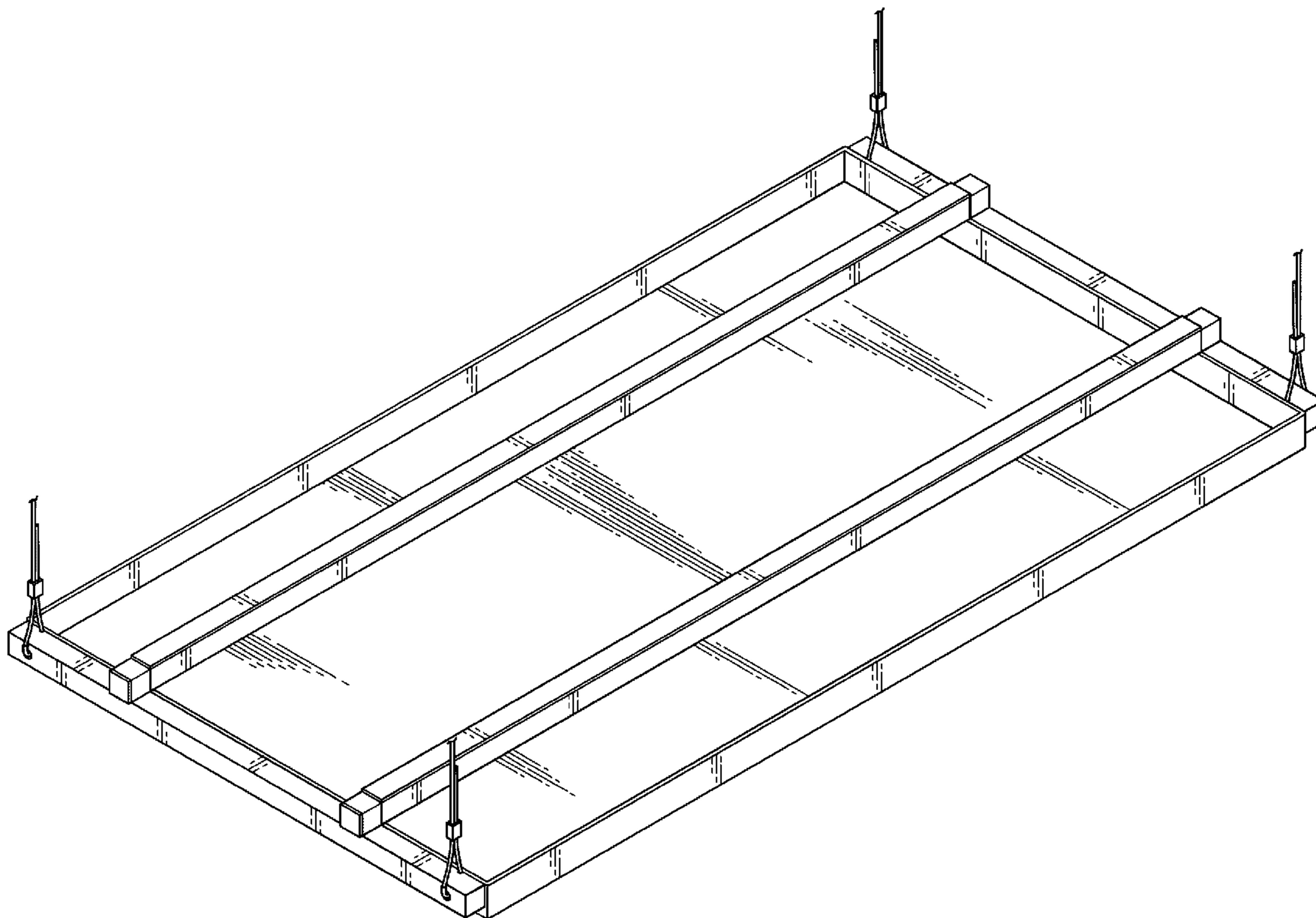
FIG. 2 includes a top plan view of a support for an air handler;

FIG. 3 includes a front elevation view a support for an air handler;

FIG. 4 includes a side elevation view of a support for an air handler; and,

FIG. 5 includes a bottom plan view of a support for an air handler.

1 Claim, 4 Drawing Sheets



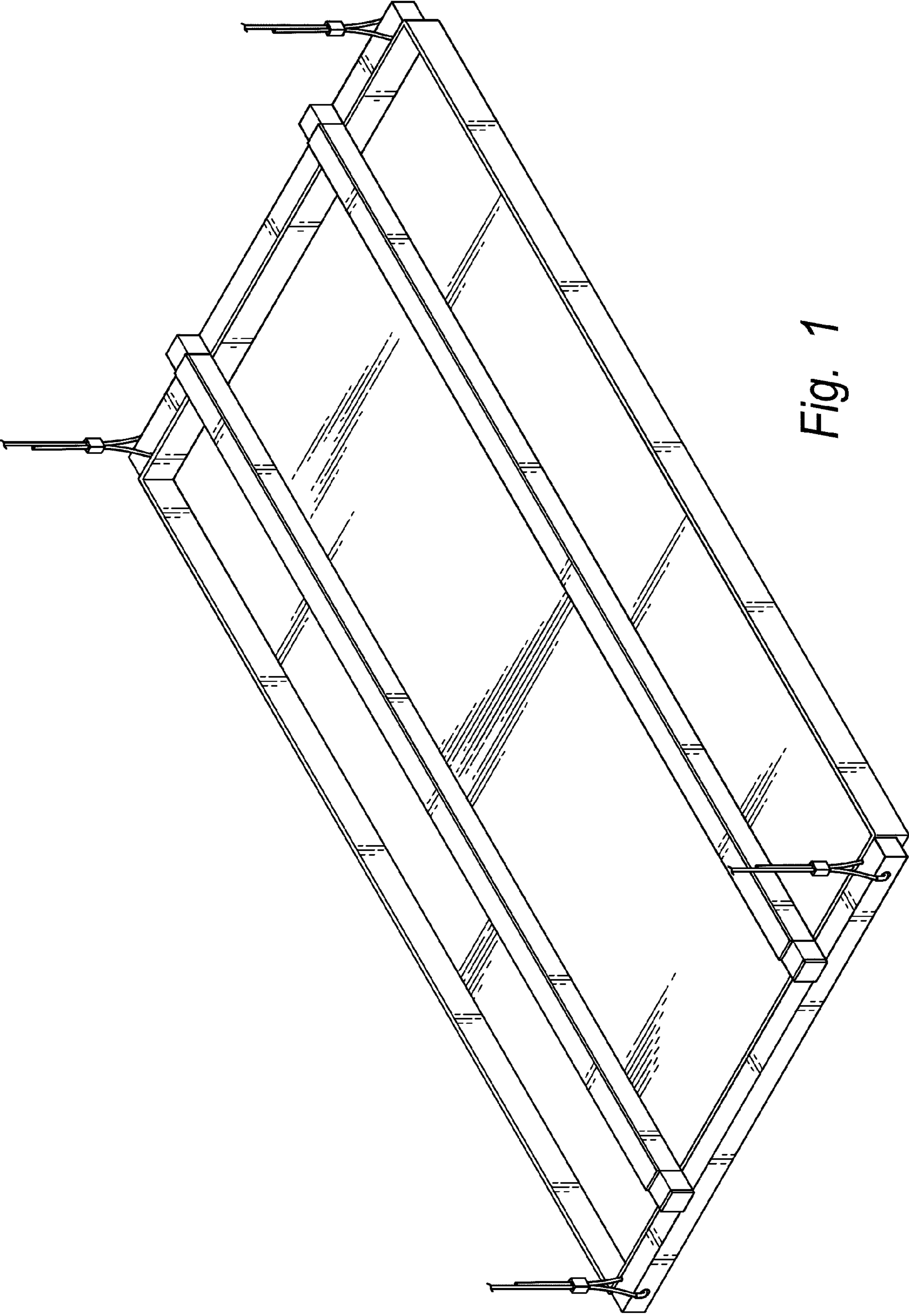


Fig. 1

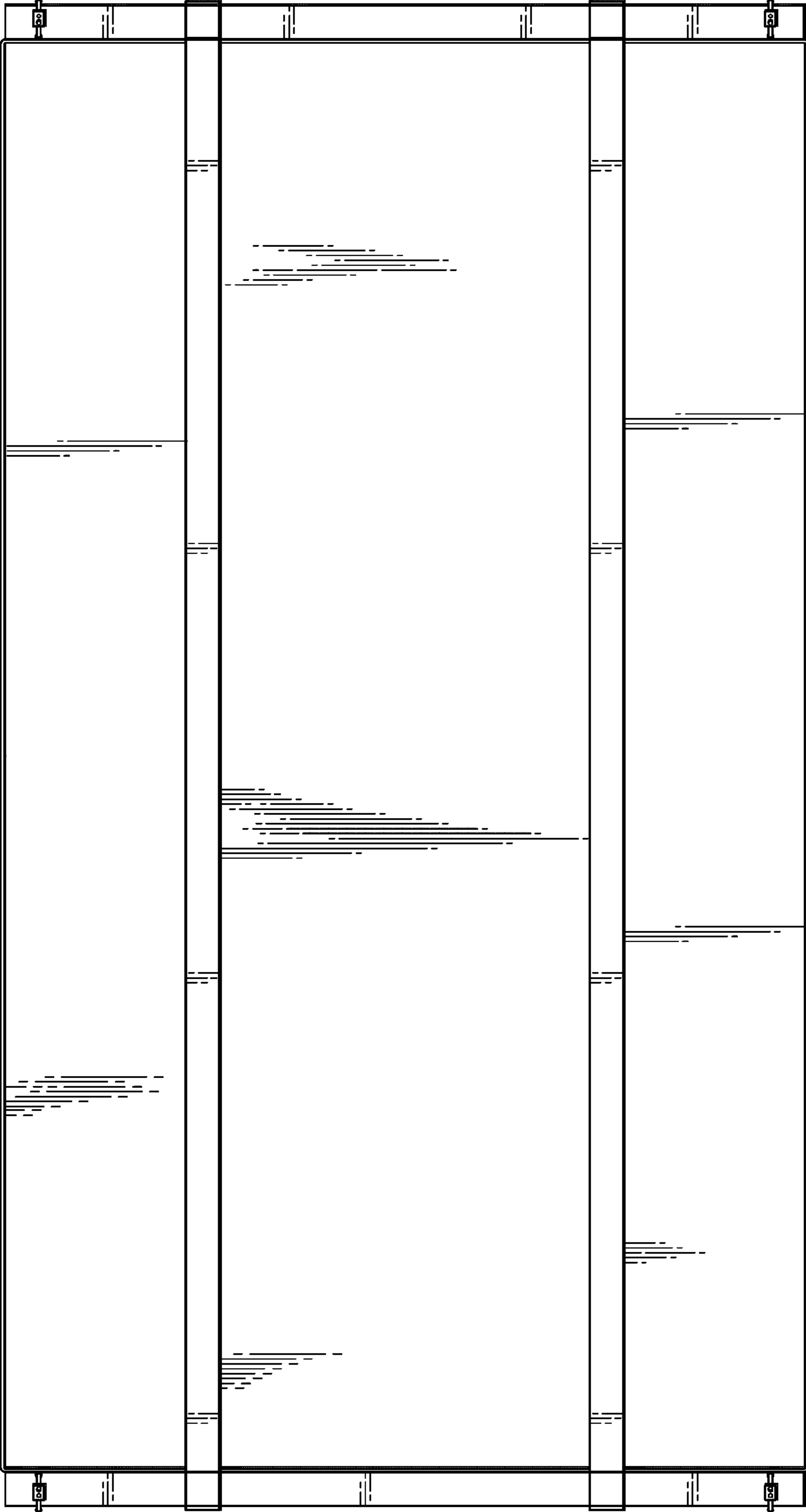


Fig. 2

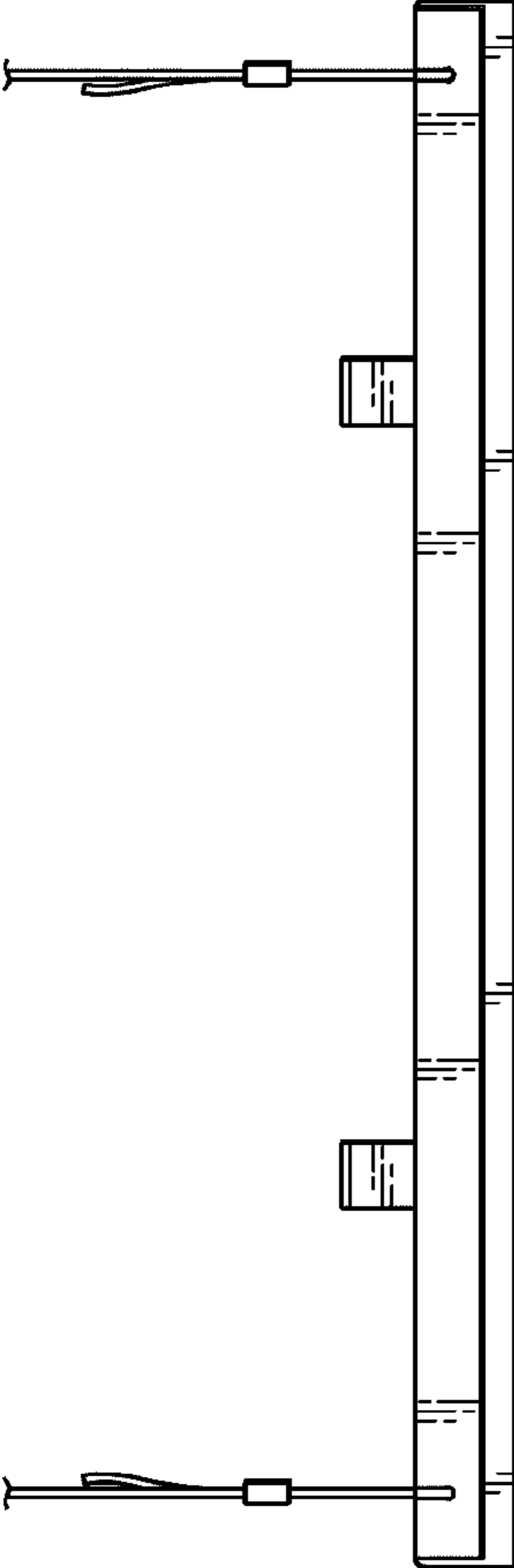


Fig. 3

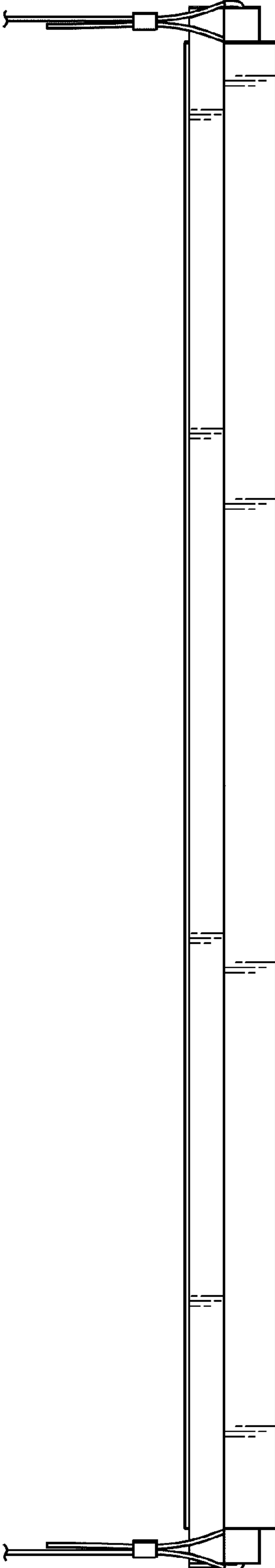


Fig. 4

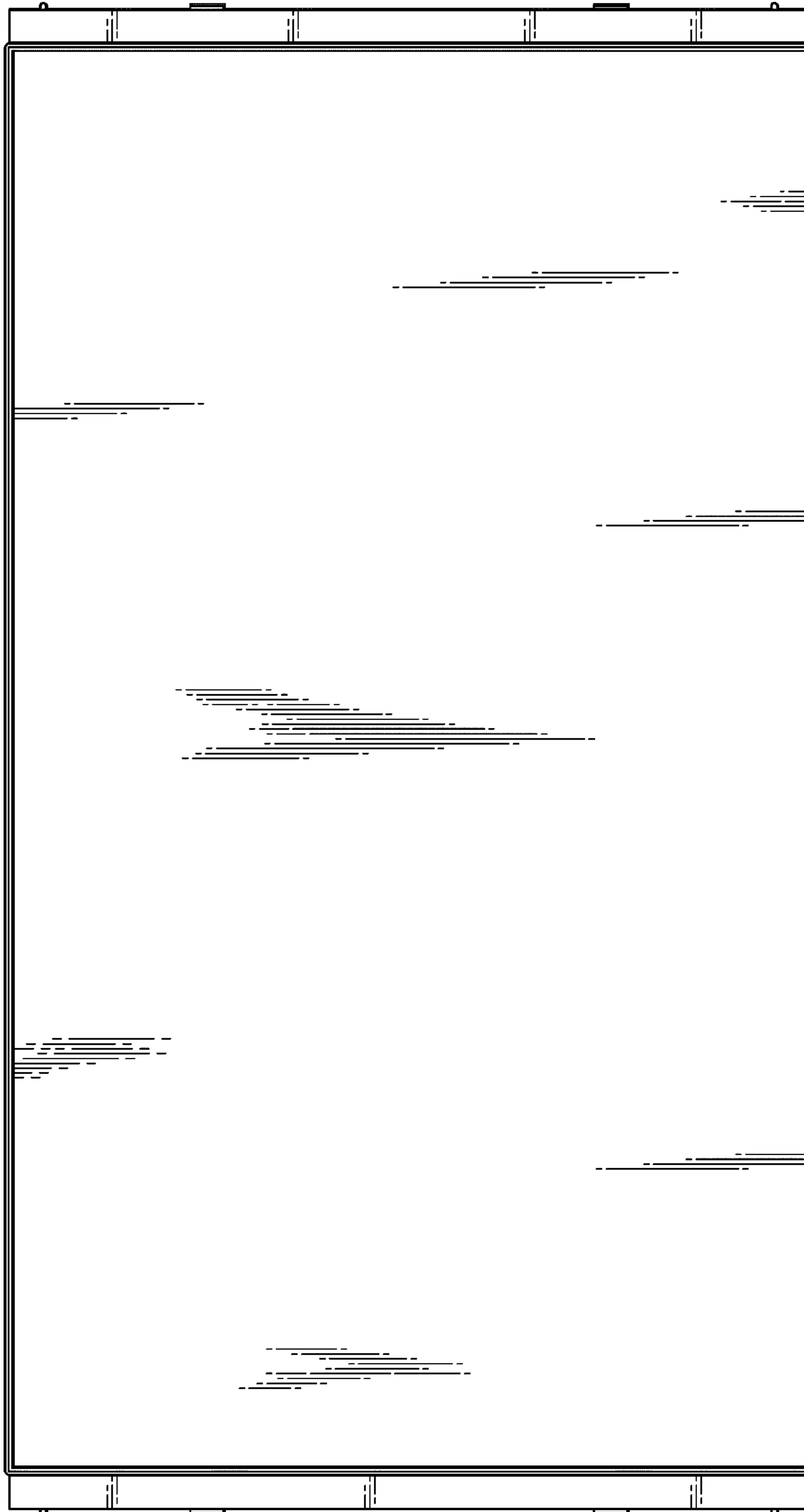


Fig. 5