



US00D653061S

(12) **United States Design Patent**
Behar et al.

(10) **Patent No.:** **US D653,061 S**
(45) **Date of Patent:** **** Jan. 31, 2012**

(54) **CHAIR**

3,095,236 A 6/1963 Klassen
3,111,344 A 11/1963 Hoven et al.
3,138,404 A 6/1964 Newton

(75) Inventors: **Yves Behar**, San Francisco, CA (US);
Bret Recor, San Francisco, CA (US);
Qin Li, South San Francisco, CA (US);
Naoya Edahiro, San Francisco, CA
(US); **Noah Murphy-Reinhertz**, San
Francisco, CA (US)

(Continued)

FOREIGN PATENT DOCUMENTS

CA 1315186 3/1993
(Continued)

(73) Assignee: **Herman Miller, Inc.**, Zeeland, MI (US)

OTHER PUBLICATIONS

(**) Term: **14 Years**

Search Report from Great Britain Application No. GB 0414694.0,
dated Sep. 1, 2005, 1 page.

(21) Appl. No.: **29/359,633**

(Continued)

(22) Filed: **Apr. 13, 2010**

Primary Examiner — Ricky Pham

(51) **LOC (9) Cl.** **06-01**

(74) *Attorney, Agent, or Firm* — Brinks Hofer Gilson &
Lione

(52) **U.S. Cl.** **D6/500**

(58) **Field of Classification Search** D6/334-336,
D6/360-369, 373-374, 379-380, 498, 500-502,
D6/601; 297/284.4-284.5, 291, 297, 411.2,
297/411.27-411.29, 452.13, 452.19, 452.21,
297/452.29, 452.3, 452.56, 452.64

(57) **CLAIM**

The ornamental design for a chair, as shown and described.

See application file for complete search history.

DESCRIPTION

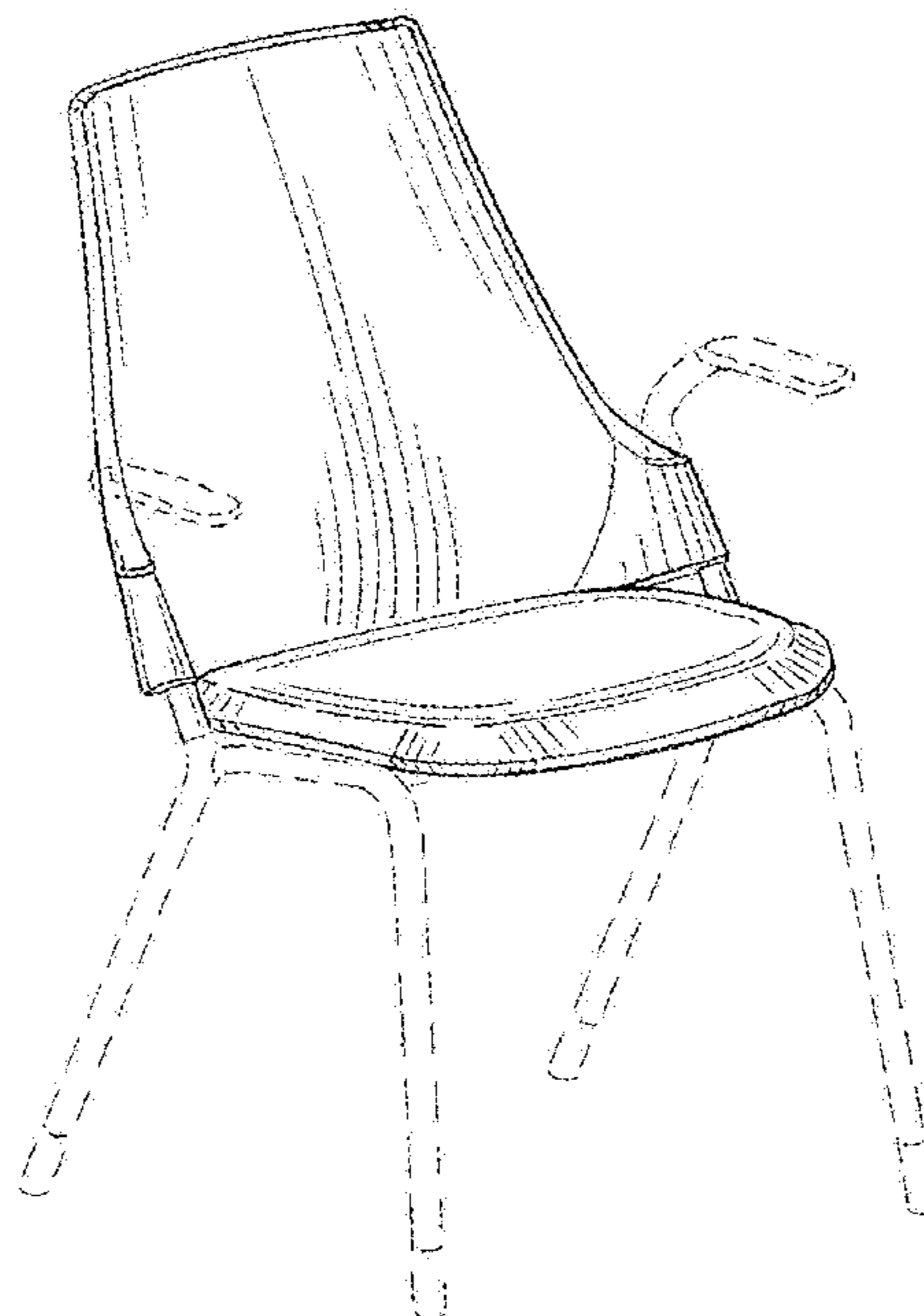
FIG. 1 is a perspective view of a chair;
FIG. 2 is a left side view of the chair shown in FIG. 1;
FIG. 3 is a right side view of the chair shown in FIG. 1;
FIG. 4 is a front view of the chair shown in FIG. 1;
FIG. 5 is a rear view of the chair shown in FIG. 1;
FIG. 6 is a top view of the chair shown in FIG. 1; and,
FIG. 7 is a bottom view of the chair shown in FIG. 1.
The broken lines showing the legs and armrests in FIGS. 1-7
are for environmental purposes only, while the broken lines
across the legs of the chair in FIGS. 1-7 are boundary lines.
The broken lines do not form any part of the claimed design.

(56) **References Cited**

U.S. PATENT DOCUMENTS

2,549,902 A 4/1951 Hibbard et al.
2,558,171 A 6/1951 Chesley
2,745,468 A 5/1956 Kramer
2,756,809 A 7/1956 Endresen
2,894,565 A 7/1959 Conner
2,931,427 A 4/1960 Goldstein
2,952,300 A 9/1960 Cohen
3,006,688 A 10/1961 Ouellette
3,014,762 A 12/1961 Mauser
3,059,919 A 10/1962 Marchino

1 Claim, 4 Drawing Sheets



US D653,061 S

Page 2

U.S. PATENT DOCUMENTS							
D201,355	S	6/1965	Cavelli	5,368,365	A	11/1994	Feldberg
3,198,578	A	8/1965	Geoffrey et al.	D355,534	S	2/1995	Saotome
3,241,879	A	3/1966	Castello et al.	5,393,124	A	2/1995	Neil
3,446,530	A	5/1969	Rowland	5,393,125	A	2/1995	Watson et al.
3,608,960	A	9/1971	Sherman	D358,515	S	5/1995	Adat
3,708,202	A	1/1973	Barecki et al.	5,415,459	A	5/1995	Schultz
3,720,568	A	3/1973	Rowland	5,439,268	A	8/1995	Dozsa-Farkas
3,762,769	A	10/1973	Poschl	5,460,427	A	10/1995	Serber
3,767,261	A	10/1973	Rowland	5,478,137	A	12/1995	Olson et al.
3,814,474	A	6/1974	Baker et al.	5,484,187	A	1/1996	Doerner et al.
3,938,858	A	2/1976	Drabert et al.	5,486,035	A	1/1996	Koepke et al.
3,982,785	A	9/1976	Ambasz	5,487,591	A	1/1996	Knoblock
4,002,369	A	1/1977	Jennings	5,501,507	A	3/1996	Hummitzsch
4,118,069	A	10/1978	Hunter	D368,818	S	4/1996	Adat
4,153,293	A	5/1979	Sheldon	5,518,294	A	5/1996	Ligon, Sr. et al.
4,240,663	A	12/1980	Locher	5,553,917	A	9/1996	Adat et al.
4,298,227	A	11/1981	Berthier et al.	5,567,010	A	10/1996	Sparks
4,300,362	A	11/1981	Lande et al.	5,582,459	A	12/1996	Hama
4,313,637	A	2/1982	Barley	5,590,067	A	12/1996	Jones et al.
4,318,570	A	3/1982	Adam et al.	5,590,934	A	1/1997	Gibbs
4,350,388	A	9/1982	Weiner	5,597,203	A	1/1997	Hubbard
4,368,917	A	1/1983	Urai	5,599,067	A	2/1997	Schuelke et al.
4,390,210	A	6/1983	Wisniewski et al.	5,599,068	A	2/1997	Kelly et al.
D270,020	S	* 8/1983	Drabert D6/366	5,624,158	A	4/1997	Adat et al.
4,418,958	A	12/1983	Watkin	5,626,394	A	5/1997	Perry
D273,728	S	5/1984	Cafiero	5,630,643	A	5/1997	Scholten et al.
4,452,485	A	6/1984	Schuster	5,630,647	A	5/1997	Heidmann et al.
4,502,728	A	3/1985	Sheldon et al.	5,641,203	A	6/1997	Van De Riet et al.
4,502,729	A	3/1985	Locher	5,647,638	A	7/1997	Ritt et al.
2,843,195	A	7/1985	Barvaeus	5,651,586	A	7/1997	Groth
4,529,247	A	7/1985	Stumpf	5,655,814	A	8/1997	Gibbs
4,541,670	A	9/1985	Morgenstern et al.	5,662,381	A	9/1997	Roosien et al.
D281,210	S	* 11/1985	Roberts D6/502	5,664,841	A	9/1997	Dal Monte
4,556,254	A	12/1985	Roberts	5,667,277	A	9/1997	Van De Riet
4,570,994	A	2/1986	Lowrey	5,683,142	A	11/1997	Gunderson et al.
4,575,152	A	3/1986	McLaughin, Sr.	5,685,606	A	11/1997	Lance
4,576,351	A	3/1986	Brink	5,695,096	A	12/1997	Yquel
4,597,606	A	7/1986	Magee	5,704,689	A	1/1998	Kim
4,601,514	A	7/1986	Meiller	D390,712	S	2/1998	Koepke et al.
4,632,454	A	12/1986	Naert	5,718,474	A	2/1998	Kojima et al.
4,634,178	A	1/1987	Carney	5,718,476	A	2/1998	De Pascal et al.
4,641,885	A	2/1987	Brauning	5,725,276	A	3/1998	Ginat
4,648,653	A	3/1987	Rowland	5,746,479	A	5/1998	Bodnar
4,695,096	A	9/1987	Kincaid	5,749,628	A	5/1998	Synder et al.
4,718,724	A	1/1988	Quinton	5,752,741	A	5/1998	Bort
4,722,569	A	2/1988	Morgenstern et al.	D394,961	S	* 6/1998	Fancelli D6/366
4,730,871	A	3/1988	Sheldon	5,758,925	A	6/1998	Schrewe
4,799,732	A	1/1989	Yamzaki	D396,155	S	* 7/1998	Shamir D6/502
4,810,033	A	3/1989	Kemmann	5,782,536	A	7/1998	Heidmann et al.
4,900,085	A	2/1990	Tobler	5,791,733	A	8/1998	Van Hekken et al.
4,909,568	A	3/1990	Dal Monte	5,795,026	A	8/1998	Dral et al.
4,915,448	A	4/1990	Morgenstern	5,797,652	A	8/1998	Darbyshire
4,961,610	A	10/1990	Reeder et al.	5,848,823	A	12/1998	Su
4,968,093	A	11/1990	Dal Monte	5,853,223	A	12/1998	Ritt et al.
4,981,325	A	1/1991	Zacharkow	5,860,700	A	1/1999	Lance
4,993,164	A	2/1991	Jacobsen	5,863,095	A	1/1999	Rivard
5,009,467	A	4/1991	McCoy	5,868,466	A	2/1999	Massara et al.
5,018,786	A	5/1991	Goldstein et al.	5,871,256	A	2/1999	Kogai
5,026,116	A	6/1991	Dal Monte	5,871,258	A	2/1999	Batthey
5,076,643	A	12/1991	Colasanti	5,876,097	A	3/1999	Cao
5,102,196	A	4/1992	Kaneda	D407,911	S	4/1999	Bräuning
5,106,161	A	4/1992	Meiller	5,895,095	A	4/1999	Chen
5,112,106	A	5/1992	Asbjornsen	5,904,400	A	5/1999	Wei
5,143,422	A	9/1992	Althofer et al.	5,909,923	A	6/1999	DeKraker
5,195,804	A	3/1993	Stolle	5,913,569	A	6/1999	Klingler
5,197,780	A	3/1993	Coughlin	5,927,811	A	7/1999	Tseng
5,217,278	A	6/1993	Harrison	5,934,758	A	8/1999	Ritch et al.
5,228,747	A	7/1993	Greene	5,944,382	A	8/1999	Ambasz
5,249,839	A	10/1993	Faiks	5,944,386	A	8/1999	Yamagishi et al.
5,277,475	A	1/1994	Brandes	D414,349	S	9/1999	Jenkins et al.
5,288,138	A	2/1994	Stulik	5,961,184	A	10/1999	Balderi et al.
D345,060	S	3/1994	Duncan	5,975,632	A	11/1999	Ginat
D346,279	S	4/1994	Stumpf et al.	5,984,408	A	11/1999	Bujaryn
5,314,235	A	* 5/1994	Johnson 297/284.5	5,988,746	A	11/1999	Raftery
5,314,240	A	5/1994	Ishi	D417,792	S	12/1999	Hansen et al.
5,318,346	A	6/1994	Roossien	6,003,948	A	12/1999	Holbrook
D350,033	S	* 8/1994	Beaulieu D6/366	D418,316	S	1/2000	Vogtherr
5,344,211	A	9/1994	Adat et al.	6,017,091	A	1/2000	Cao
				6,027,169	A	2/2000	Roslund, Jr.

US D653,061 S

6,030,041 A	2/2000	Hsiao	6,616,228 B2	9/2003	Heidmann	
D423,259 S	4/2000	Grove	6,626,494 B2	9/2003	Yoo	
6,053,578 A	4/2000	Van Hekken et al.	6,644,749 B2	11/2003	Van De Riet et al.	
6,053,579 A	4/2000	Nelson et al.	6,669,294 B2	12/2003	Kinoshita et al.	
D424,824 S	5/2000	Chu	6,669,301 B1	12/2003	Funk et al.	
6,056,361 A	5/2000	Cvek	6,688,687 B2	2/2004	Chu	
6,059,362 A	5/2000	Lin	6,688,690 B2	2/2004	Watson et al.	
6,062,649 A	5/2000	Nagel et al.	6,698,833 B2	3/2004	Ball et al.	
6,079,785 A	6/2000	Peterson et al.	6,709,058 B1	3/2004	Diffrient	
6,095,603 A	8/2000	Hock	6,726,285 B2	4/2004	Caruso et al.	
6,099,075 A	8/2000	Watkins	6,739,664 B2	5/2004	Kinoshita et al.	
6,099,076 A	8/2000	Nagel et al.	D490,994 S	6/2004	Schmitz et al.	
6,109,694 A	8/2000	Kurtz	6,755,467 B1	6/2004	Chu	
6,109,696 A	8/2000	Newhouse et al.	6,758,523 B2	7/2004	Van De Riet et al.	
D431,400 S	10/2000	Grove	D494,792 S	8/2004	Schmitz et al.	
6,125,521 A	10/2000	Stumpf et al.	6,805,405 B2	10/2004	Koo	
6,129,419 A	10/2000	Neale	6,820,935 B1	11/2004	Cioncada	
6,131,992 A	10/2000	Chang	6,837,546 B2	1/2005	Van De Riet et al.	
6,139,102 A	10/2000	Von Moller	6,880,215 B2	4/2005	Peterson	
D434,918 S	12/2000	Arko et al.	6,899,398 B2	5/2005	Coffield	
D436,259 S	1/2001	Nagamitsu	6,908,159 B2	6/2005	Prince et al.	
6,179,384 B1	1/2001	DeKraker et al.	6,913,315 B2	7/2005	Ball et al.	
D437,701 S	2/2001	Bellini et al.	6,955,402 B2	10/2005	Van De Riet et al.	
6,189,971 B1	2/2001	Witzig	6,966,606 B2	11/2005	Coffield	
6,189,972 B1	2/2001	Chu	7,000,987 B2	2/2006	Staarink	
6,193,307 B1	2/2001	Lin	7,004,543 B2	2/2006	Caruso et al.	
D439,451 S	3/2001	Simons, Jr. et al.	7,014,269 B2	3/2006	Coffield et al.	
D440,419 S	4/2001	Röder	7,017,986 B2	3/2006	Degen et al.	
D442,790 S	5/2001	Simons, Jr. et al.	7,021,705 B1	4/2006	Niermeyer et al.	
D442,791 S	5/2001	Simons, Jr. et al.	7,036,888 B2	5/2006	Yang et al.	
6,224,160 B1	5/2001	Takeuchi et al.	7,040,703 B2	5/2006	Sanchez	
6,250,715 B1	6/2001	Caruso et al.	7,052,081 B2	5/2006	Leng	
D444,309 S	7/2001	Nagamitsu	7,059,682 B2	6/2006	Caruso et al.	
D444,955 S	7/2001	Su	7,096,549 B2	8/2006	Coffield	
6,254,186 B1	7/2001	Falzon	7,185,910 B2	3/2007	Beauchesne et al.	
6,260,921 B1	7/2001	Chu et al.	7,226,123 B1	6/2007	Lin et al.	
6,279,991 B1	8/2001	Atkins et al.	7,234,772 B2	6/2007	Wells	
D449,172 S	10/2001	Van De Riet et al.	7,234,773 B2	6/2007	Raftery et al.	
D449,174 S	10/2001	Neil	7,234,775 B2	6/2007	Serber	
D449,176 S	10/2001	Schulte et al.	7,249,802 B2	7/2007	Schmitz	
6,305,742 B1	10/2001	Spendlove et al.	D548,993 S *	8/2007	Fancelli	D6/366
D449,938 S	11/2001	Van De Riet et al.	7,267,405 B2	9/2007	Tin	
6,322,145 B1	11/2001	Melgarejo et al.	7,293,826 B2	11/2007	Lu et al.	
D451,293 S	12/2001	Su	7,347,495 B2	3/2008	Beyer	
D453,633 S	2/2002	Diffrient	7,419,222 B2	9/2008	Schmitz et al.	
D455,571 S	4/2002	Van De Riet et al.	7,445,277 B2	11/2008	Voris	
D456,160 S	4/2002	Van De Riet et al.	7,455,365 B2	11/2008	Caruso et al.	
D456,164 S	4/2002	Van De Riet et al.	7,472,962 B2	1/2009	Caruso et al.	
6,367,876 B2	4/2002	Caruso et al.	D586,137 S *	2/2009	Massaud	D6/366
6,378,942 B1	4/2002	Chu	D587,950 S *	3/2009	Long	D6/601
D456,626 S	5/2002	Su	7,585,028 B2	9/2009	Jenkins	
D456,650 S	5/2002	Ball et al.	7,625,046 B2	12/2009	Sanchez	
D457,023 S	5/2002	Ball et al.	D611,263 S *	3/2010	Werner	D6/366
6,382,719 B1	5/2002	Heidmann et al.	D637,423 S *	5/2011	Behar et al.	D6/500
6,386,627 B1	5/2002	Tsai	D639,091 S *	6/2011	Behar et al.	D6/502
6,386,636 B2	5/2002	Caruso et al.	2001/0030457 A1	10/2001	Gregory	
6,394,545 B2	5/2002	Knoblock et al.	2002/0043841 A1	4/2002	Giacinto	
D460,300 S	7/2002	Fifield et al.	2002/0060492 A1	5/2002	Nagamitsu et al.	
D460,869 S	7/2002	Koepke et al.	2002/0096920 A1	7/2002	Watson et al.	
D460,870 S	7/2002	Van De Riet et al.	2002/0190564 A1	12/2002	Coffield et al.	
6,419,318 B1	7/2002	Albright	2003/0001425 A1	1/2003	Koepke et al.	
D461,323 S	8/2002	Su	2003/0178882 A1	9/2003	Schimitz	
D461,661 S	8/2002	Koepke et al.	2004/0124679 A1	7/2004	Teppo et al.	
6,439,661 B1	8/2002	Bräuning	2004/0140701 A1	7/2004	Schmitz	
D462,187 S	9/2002	Koepke et al.	2005/0001461 A1	1/2005	Caruso	
D463,693 S	10/2002	Hsieh	2005/0093345 A1	5/2005	Matern et al.	
6,471,294 B1	10/2002	Dammermann et al.	2007/0057549 A1	3/2007	Ball et al.	
6,478,379 B1	11/2002	Ambasz				
6,488,335 B1	12/2002	Cioncada				
6,523,898 B1	2/2003	Ball et al.				
D471,042 S	3/2003	Schmitz et al.				
D471,370 S	3/2003	Schmitz et al.				
6,540,950 B1	4/2003	Coffield				
D474,346 S	5/2003	Saylor et al.				
6,557,938 B1	5/2003	Long				
6,568,760 B2	5/2003	Davis et al.				
D475,859 S *	6/2003	Kryger				D6/366
6,572,190 B2	6/2003	Koepke et al.				
6,598,251 B2	7/2003	Habboub et al.				

FOREIGN PATENT DOCUMENTS

CN	2566705	Y	8/2002
DE	3125312		1/1983
DE	201 00 569	U1	3/2001
EP	0 154 582	A3	9/1985
EP	0 242 140	A2	10/1987
EP	0 815 778	A1	1/1998
FR	2 267 726	A1	11/1975
FR	2 278 295	A1	2/1976
GB	925 337		5/1963
GB	967 059		8/1964

US D653,061 S

Page 4

GB	1 276 273	6/1972
GB	2 165 445 A	4/1986
JP	57-050251 A	9/1955
JP	62-055691 A	3/1987
JP	63-187947 A	12/1988
JP	02-050250 U	2/1990
JP	02-095305 A	4/1990
JP	02-159215 A	6/1990
JP	08-004544 A	1/1996
JP	10-179314 A	7/1998
WO	WO 89/09557 A1	10/1989
WO	WO 92/20262 A1	11/1992
WO	WO 93/25121 A1	12/1993
WO	WO 95/34233 A1	12/1995
WO	WO 98/48668 A1	11/1998
WO	WO 00/22961 A1	4/2000
WO	WO 00/74531 A2	12/2000

WO	WO 01/43685 A1	6/2001
WO	WO 2007/099376 A2	9/2007
WO	WO 2008/103674 A1	8/2008

OTHER PUBLICATIONS

Resultat(s) brochure, "Notice complete," INPI, dated 2009, 22 pages.
Resultat(s) brochure. "Notice com~lete." INPI. dated 2009. 4 pages.
Arbitare brochure, dated Apr. 1997, 4 pages.
Arbitare brochure. "Mobile & Misure 88." dated Sep. 1988, 3 pages.
Arbitare brochure, "Mini Spazi," dated Oct. 1988, 3 pages.
Md brochure, "moebel interior design," dated Jan. 1, 1996, 3 pages.
Md brochure, dated May 5, 1998, 3 pages.
Shitsunai brochure, "No. 500," dated 1996, 2 pages.

* cited by examiner

FIG. 1

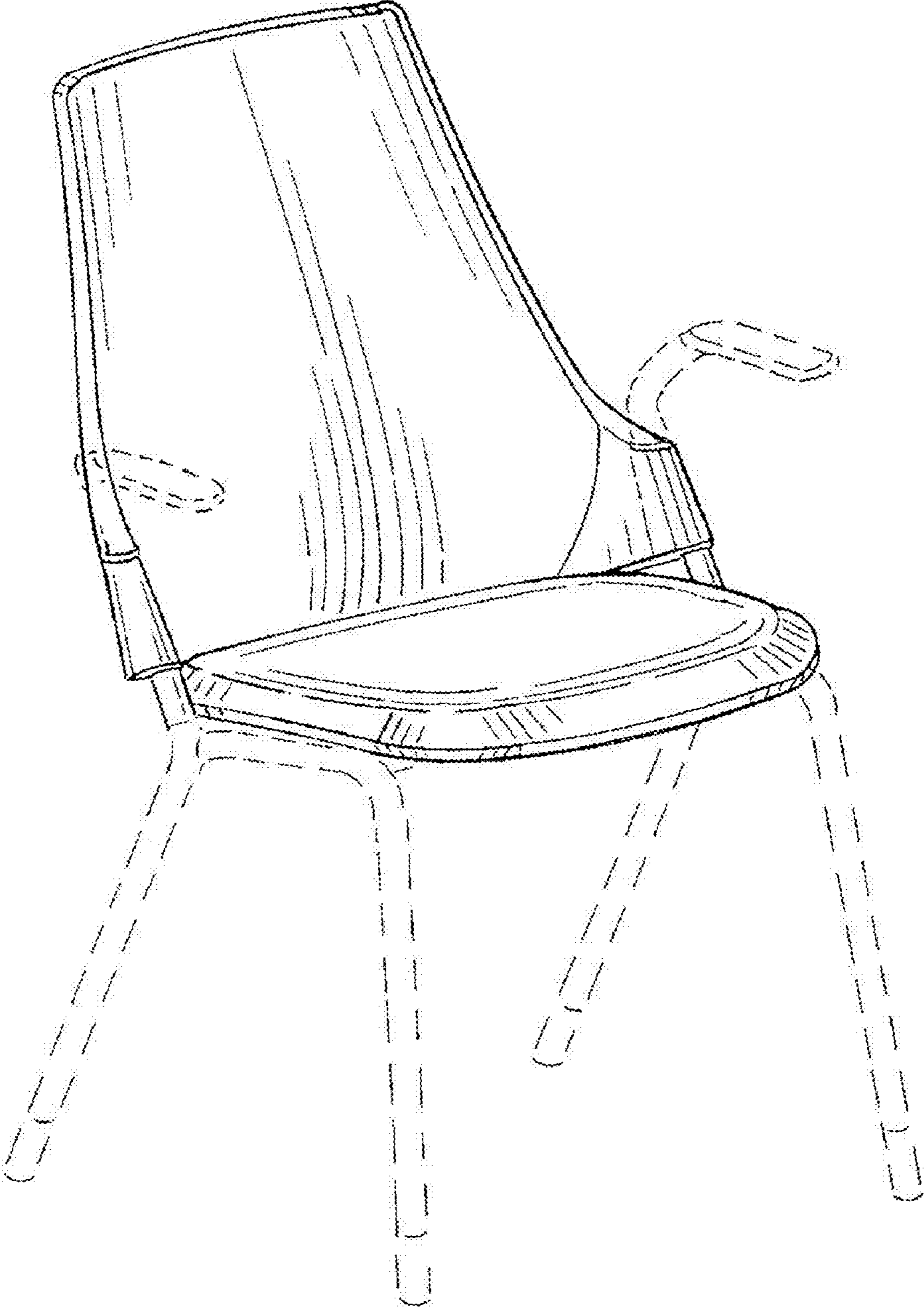


FIG. 3

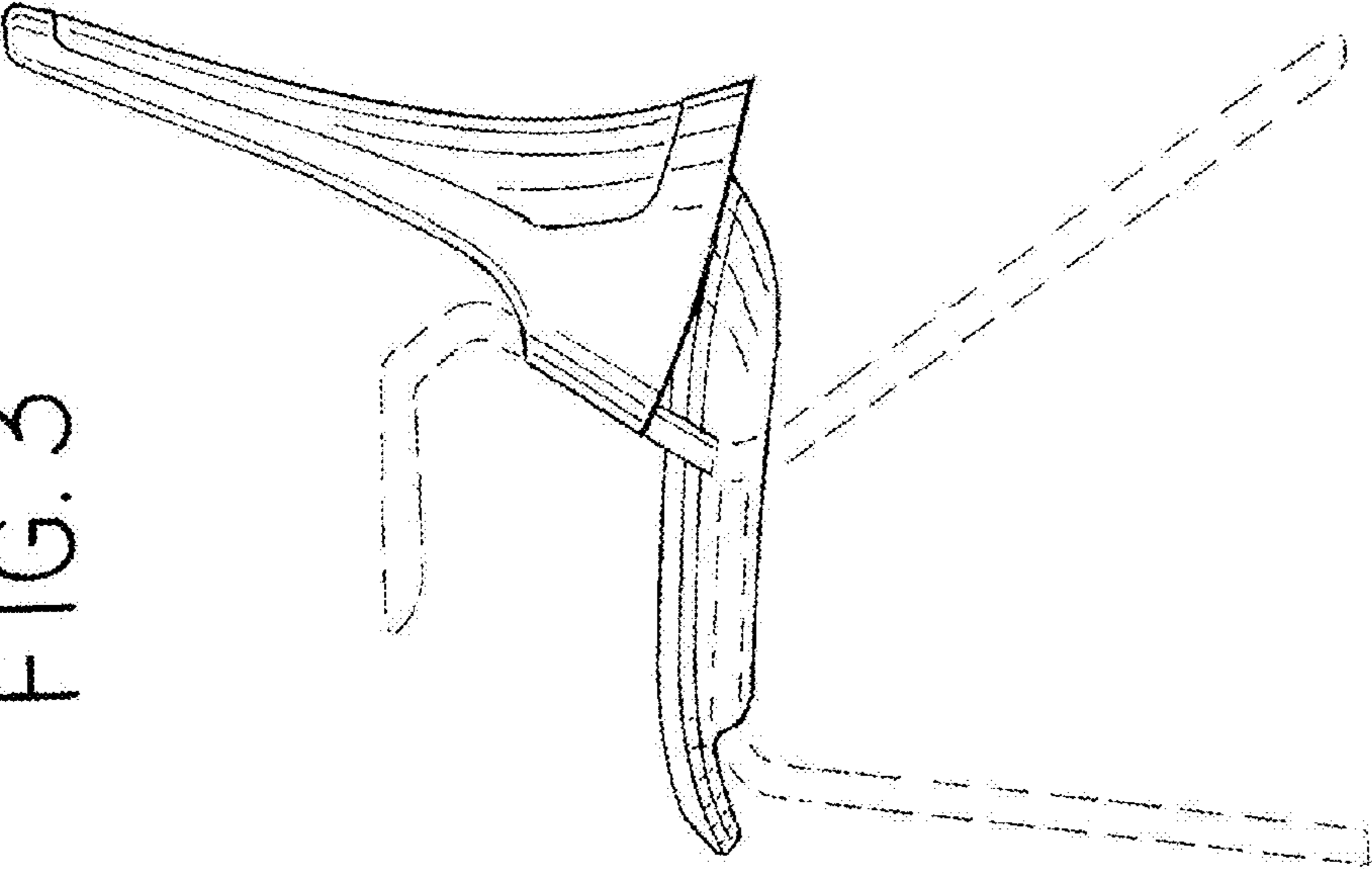


FIG. 2

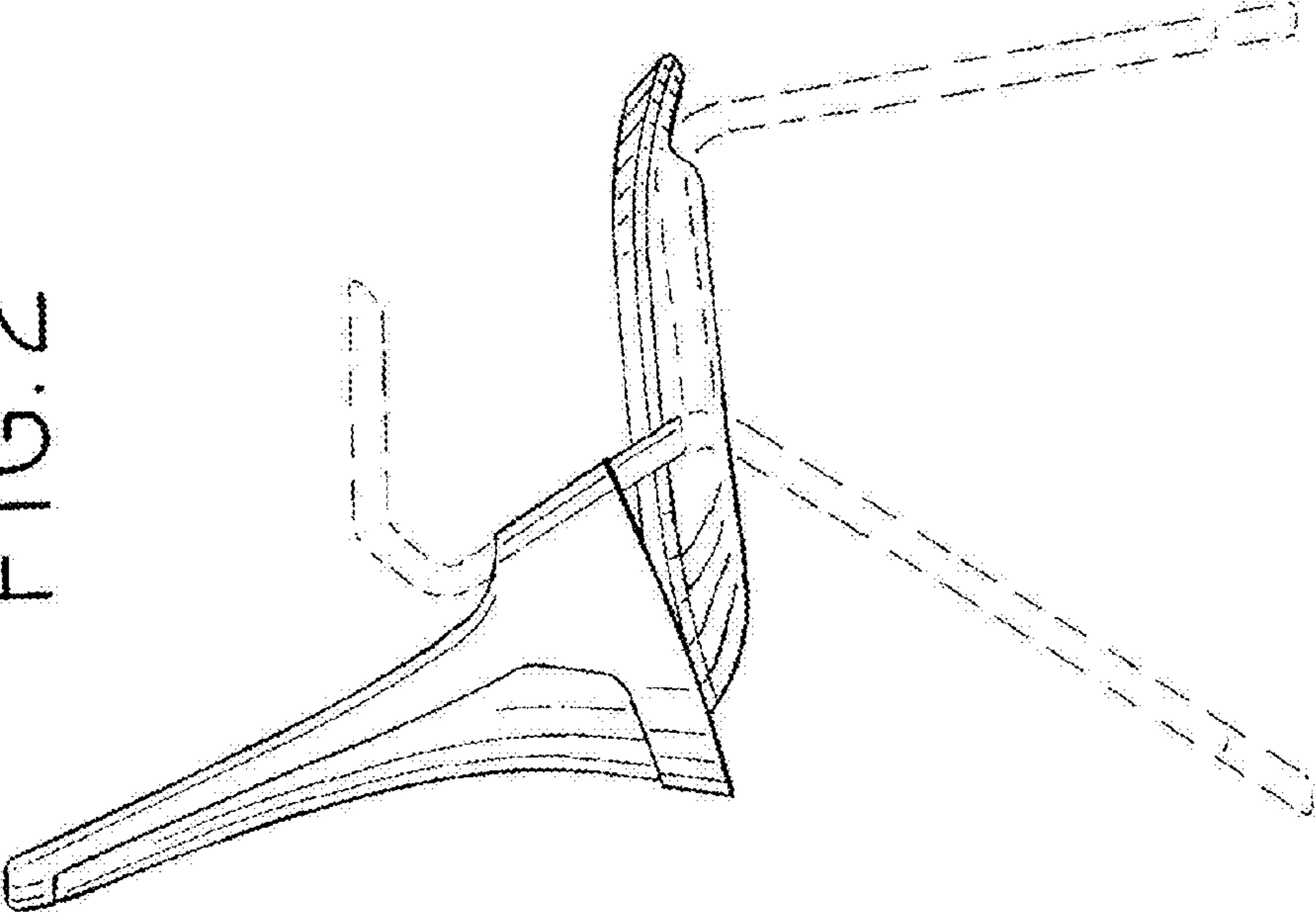


FIG. 5

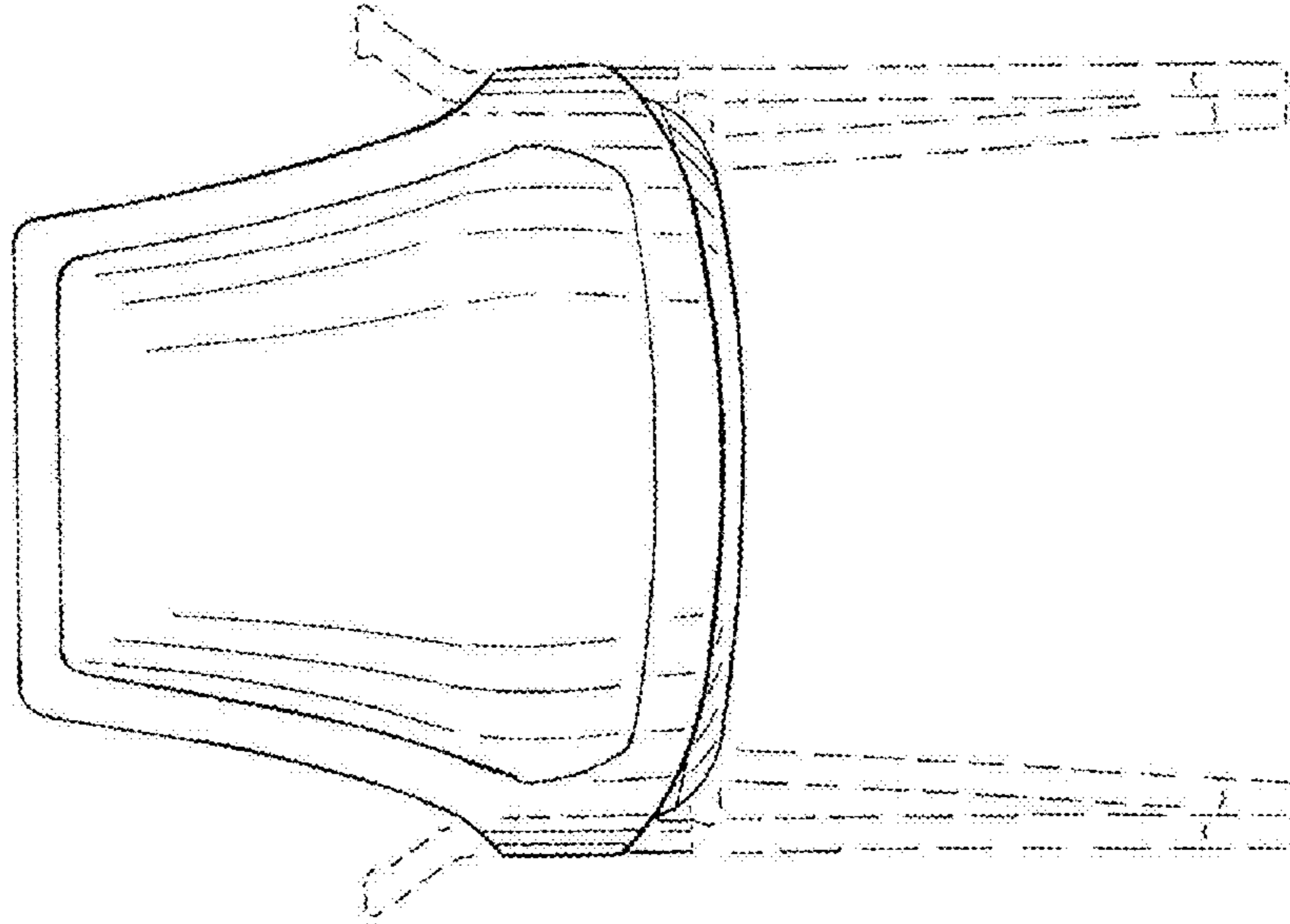


FIG. 4

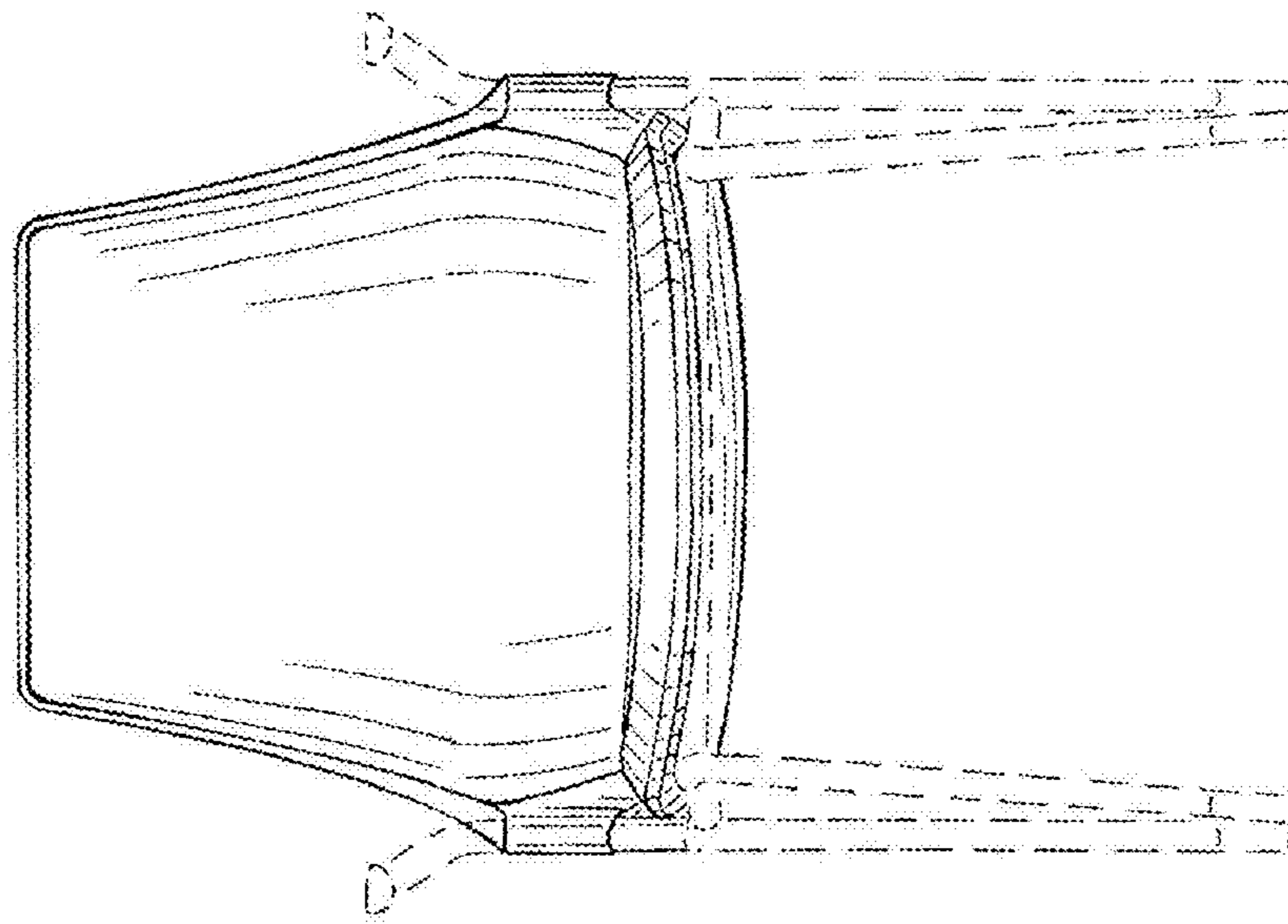


FIG. 6

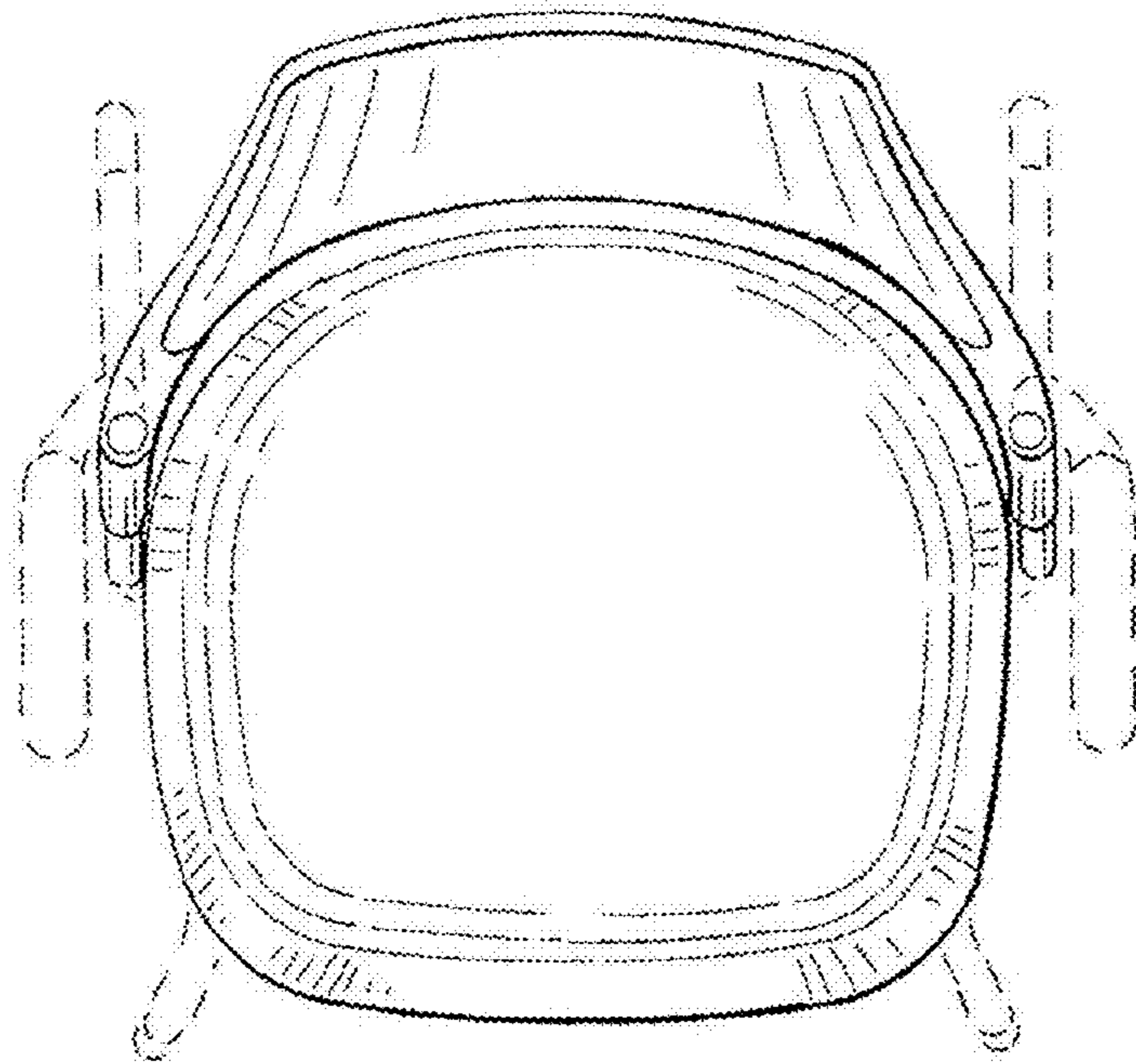


FIG. 7

