



US00D653057S

(12) **United States Design Patent**  
**Sexton**

(10) **Patent No.:** **US D653,057 S**  
(45) **Date of Patent:** **\*\* Jan. 31, 2012**

(54) **TV MOUNT SYSTEM**

(75) Inventor: **James S. Sexton**, San Ramon, CA (US)

(73) Assignee: **Z-Line Designs, Inc.**, San Ramon, CA (US)

(\*\*) Term: **14 Years**

(21) Appl. No.: **29/398,911**

(22) Filed: **Aug. 5, 2011**

(51) **LOC (9) Cl.** ..... **06-06**

(52) **U.S. Cl.** ..... **D6/477**

(58) **Field of Classification Search** ..... D6/474,  
D6/477-479; 108/59, 91-92, 96; 211/40,  
211/41.12, 42, 49.1, 50, 85.2, 90.04; 206/307  
See application file for complete search history.

(56) **References Cited**

U.S. PATENT DOCUMENTS

D474,047 S *	5/2003	Lara	.....	D6/479
D489,548 S *	5/2004	Malizia	.....	D6/477
D491,748 S *	6/2004	deCarolis	.....	D6/474
D493,982 S *	8/2004	deCarolis	.....	D6/477
D497,061 S *	10/2004	Decarolis	.....	D6/479
D505,572 S *	5/2005	Chang	.....	D6/474
D505,573 S *	5/2005	Malizia	.....	D6/474
D506,329 S *	6/2005	Sexton	.....	D6/477
D507,128 S *	7/2005	Choo	.....	D6/477
D507,433 S *	7/2005	Portnoy	.....	D6/477
D516,838 S *	3/2006	Portnoy	.....	D6/477
D517,350 S *	3/2006	Sexton	.....	D6/479
D519,757 S *	5/2006	Portnoy	.....	D6/479
D525,052 S *	7/2006	Malizia	.....	D6/474
D525,054 S *	7/2006	Stenhouse et al.	.....	D6/479
D537,657 S *	3/2007	Fujii et al.	.....	D6/477
D539,565 S *	4/2007	Sexton, III	.....	D6/474
D562,593 S *	2/2008	Zambelli	.....	D6/474
D564,260 S *	3/2008	deCarolis	.....	D6/477
D566,992 S *	4/2008	Ongor	.....	D6/479
D572,943 S *	7/2008	Antonioni	.....	D6/477

D572,944 S *	7/2008	Sexton	.....	D6/477
D587,496 S *	3/2009	Weitz	.....	D6/477
D587,497 S *	3/2009	Zambelli	.....	D6/477
D590,636 S *	4/2009	Ou Yang et al.	.....	D6/477
D590,637 S *	4/2009	Portnoy	.....	D6/477
D591,089 S *	4/2009	Sexton	.....	D6/479
D592,428 S *	5/2009	Zambelli	.....	D6/477
D599,584 S *	9/2009	Zambelli	.....	D6/477
D601,370 S *	10/2009	Kohler	.....	D6/495
D607,671 S *	1/2010	Sexton	.....	D6/479
D609,942 S *	2/2010	Sexton	.....	D6/477
D614,421 S *	4/2010	Sexton	.....	D6/479
D615,771 S *	5/2010	Kohler	.....	D6/460
D618,015 S *	6/2010	Sexton	.....	D6/477
D627,579 S *	11/2010	Gillespie	.....	D6/462
D630,870 S *	1/2011	Sexton	.....	D6/477
D630,871 S *	1/2011	Sexton	.....	D6/477
D631,265 S *	1/2011	Sexton	.....	D6/477

\* cited by examiner

*Primary Examiner* — Elizabeth Albert

*Assistant Examiner* — Kelly Donnelly

(74) *Attorney, Agent, or Firm* — Kilpatrick Townsend & Stockton LLP

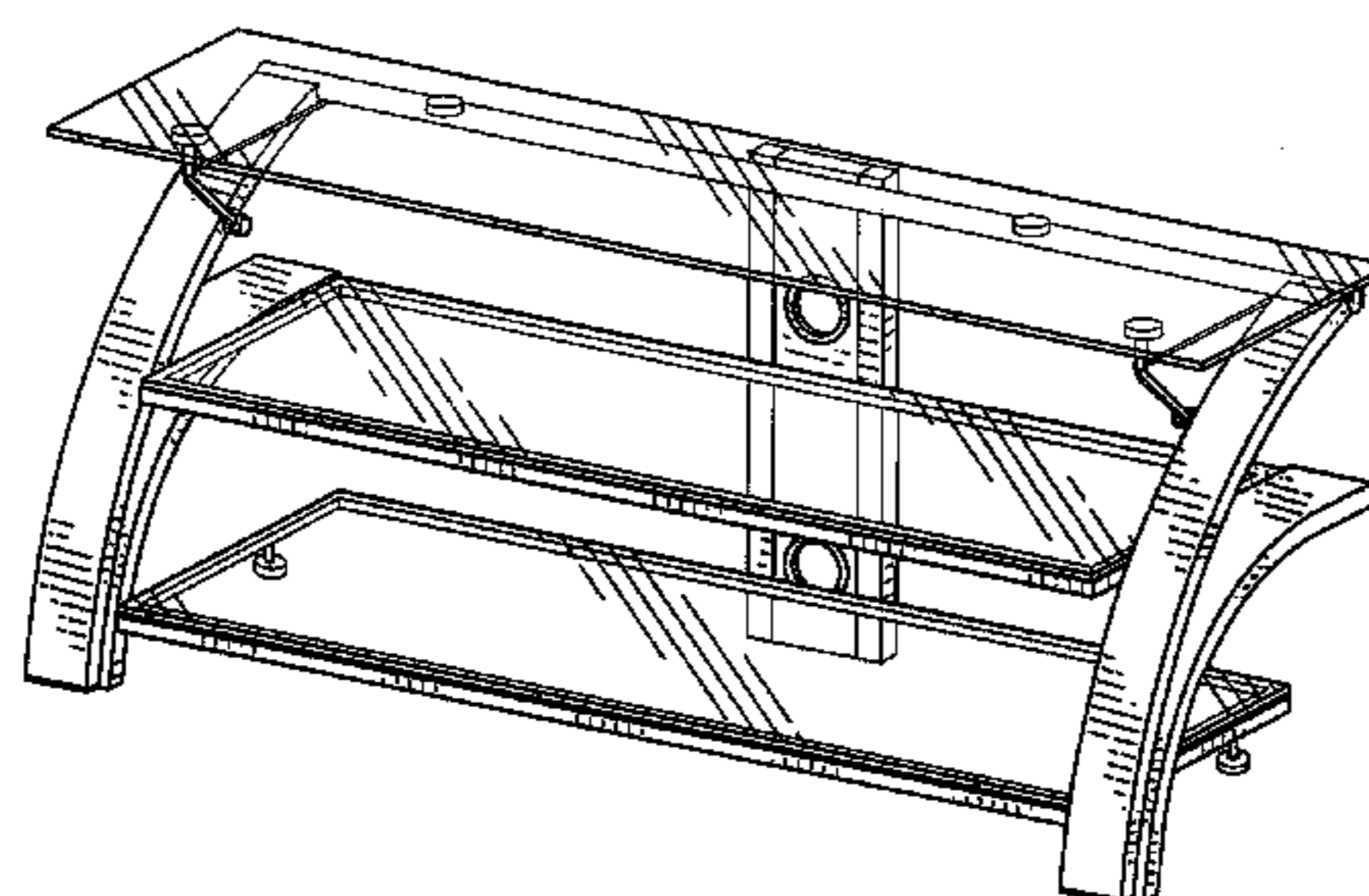
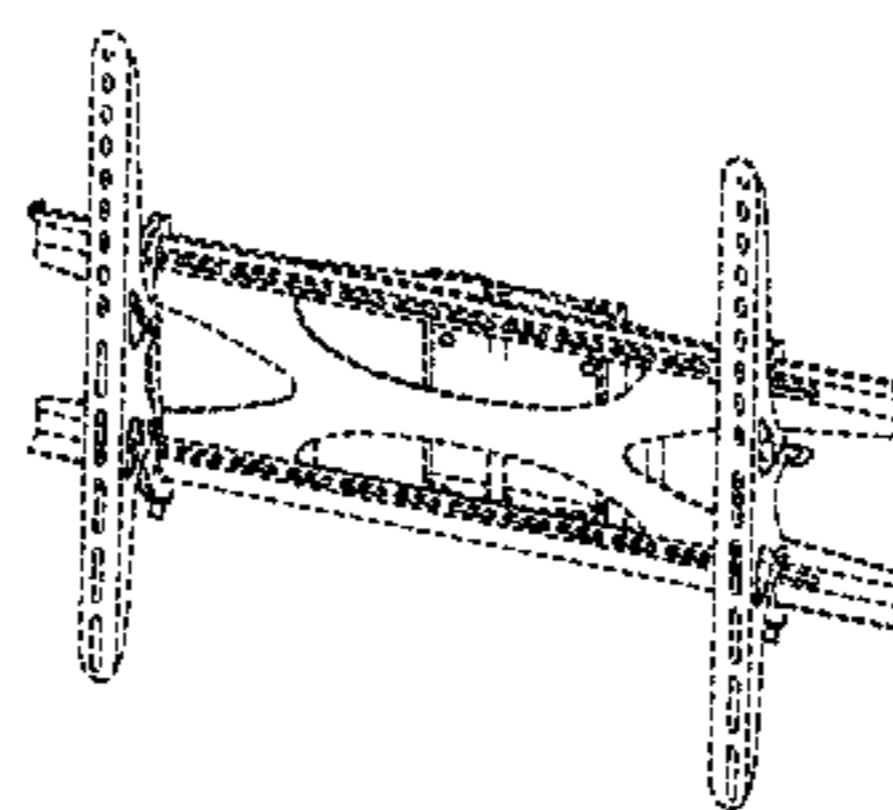
(57) **CLAIM**

The ornamental design for a TV mount system, as shown and described.

**DESCRIPTION**

FIG. 1 is a perspective view of a TV mount system showing my new design;  
FIG. 2 is a front elevational view thereof;  
FIG. 3 is a rear elevational view thereof;  
FIG. 4 is a top plan view thereof;  
FIG. 5 is a right side elevational view thereof; and,  
FIG. 6 is a left side elevational view thereof.  
The broken line showing in FIGS. 1-6 are for the purpose of illustrating the environment of the article only and form no part of the claimed design.

**1 Claim, 4 Drawing Sheets**



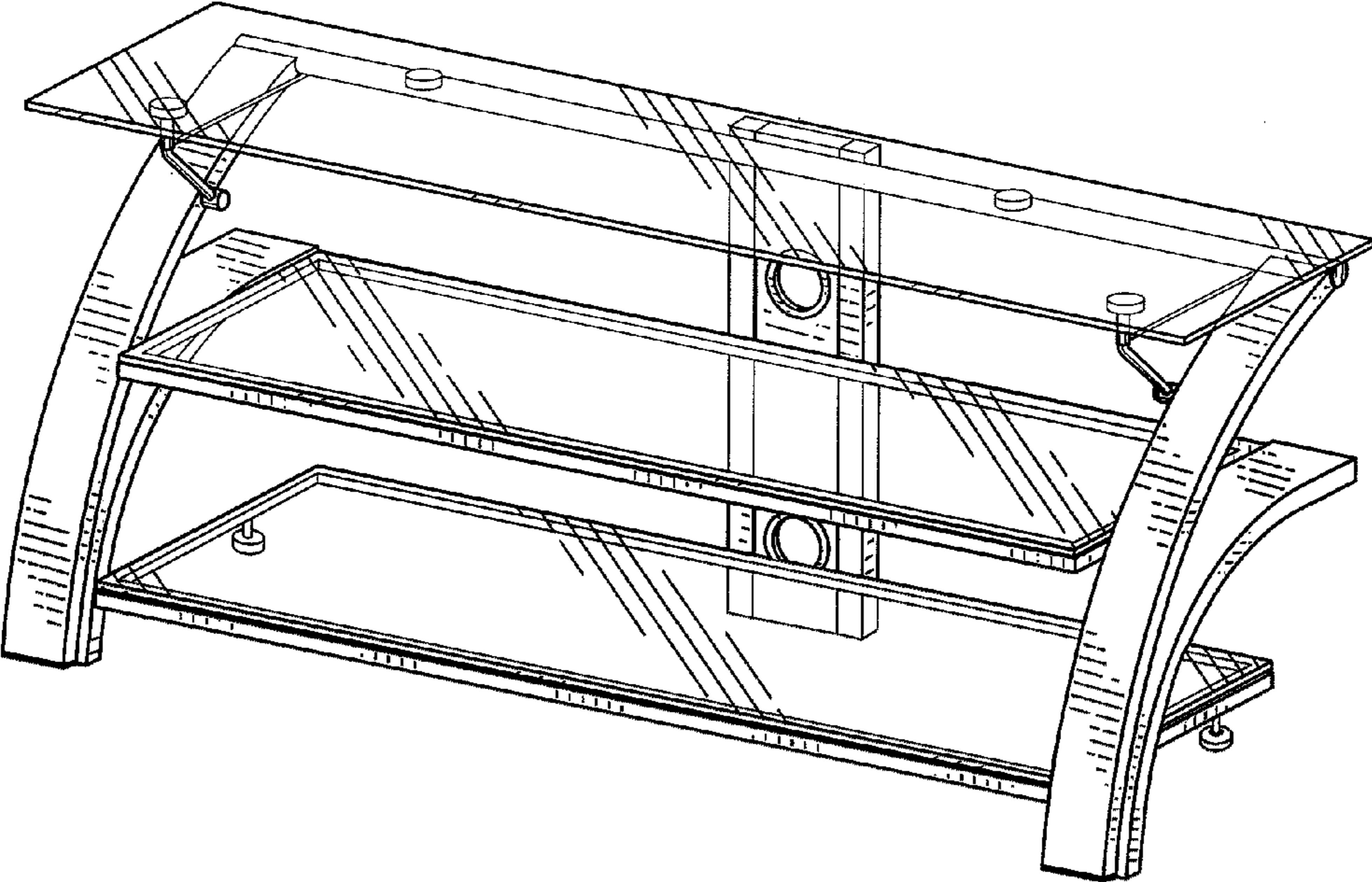
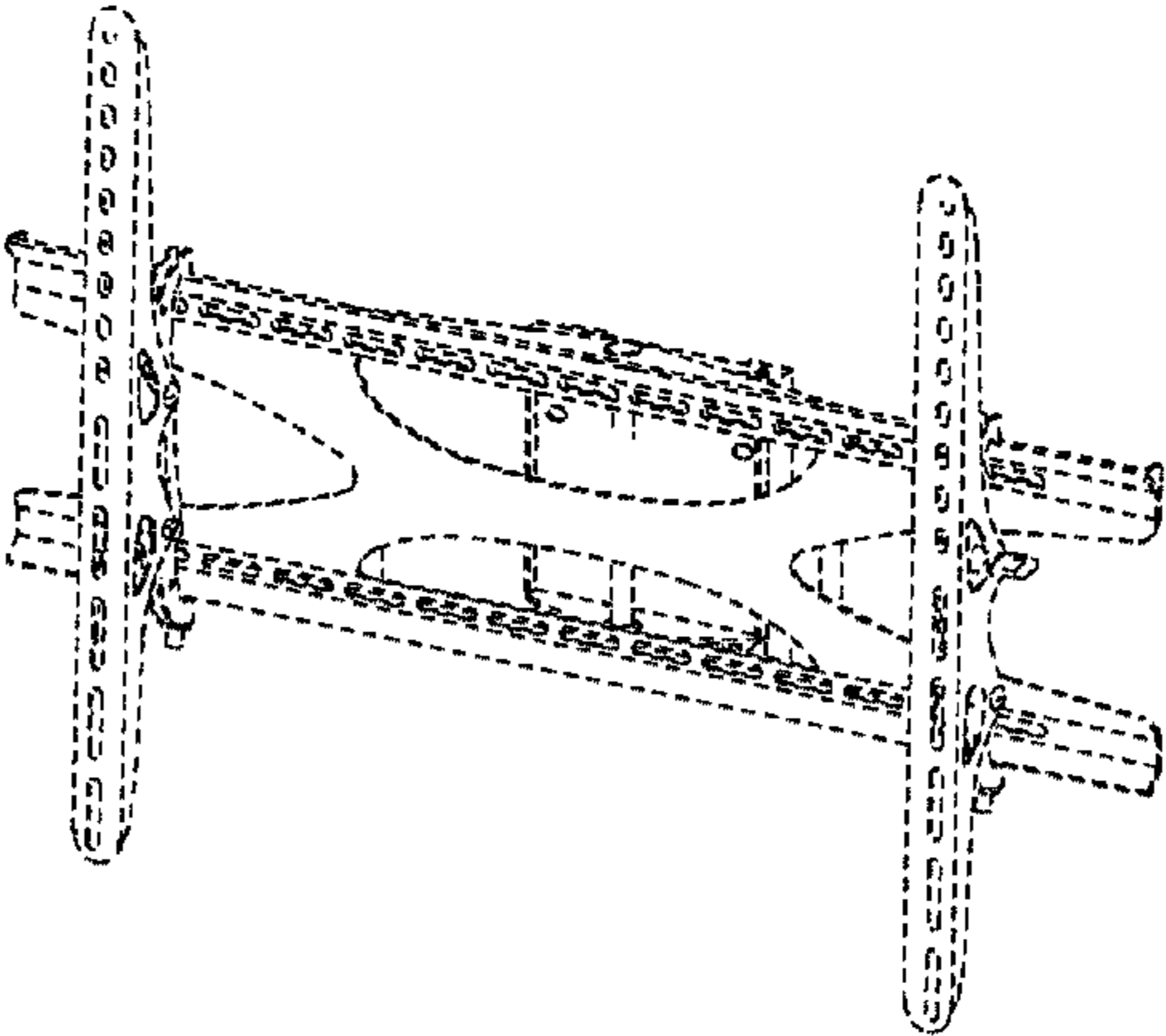


FIG. 1

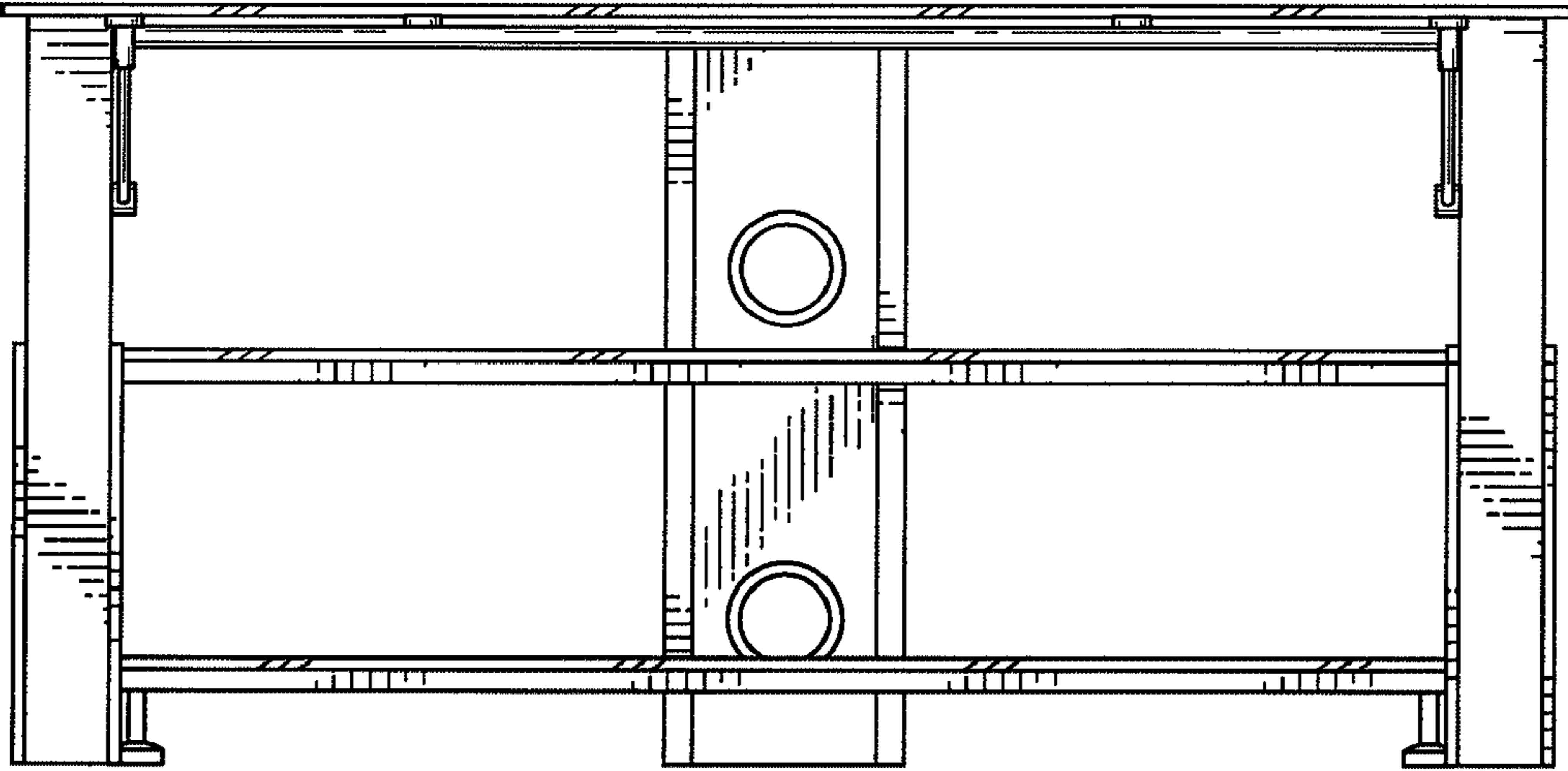
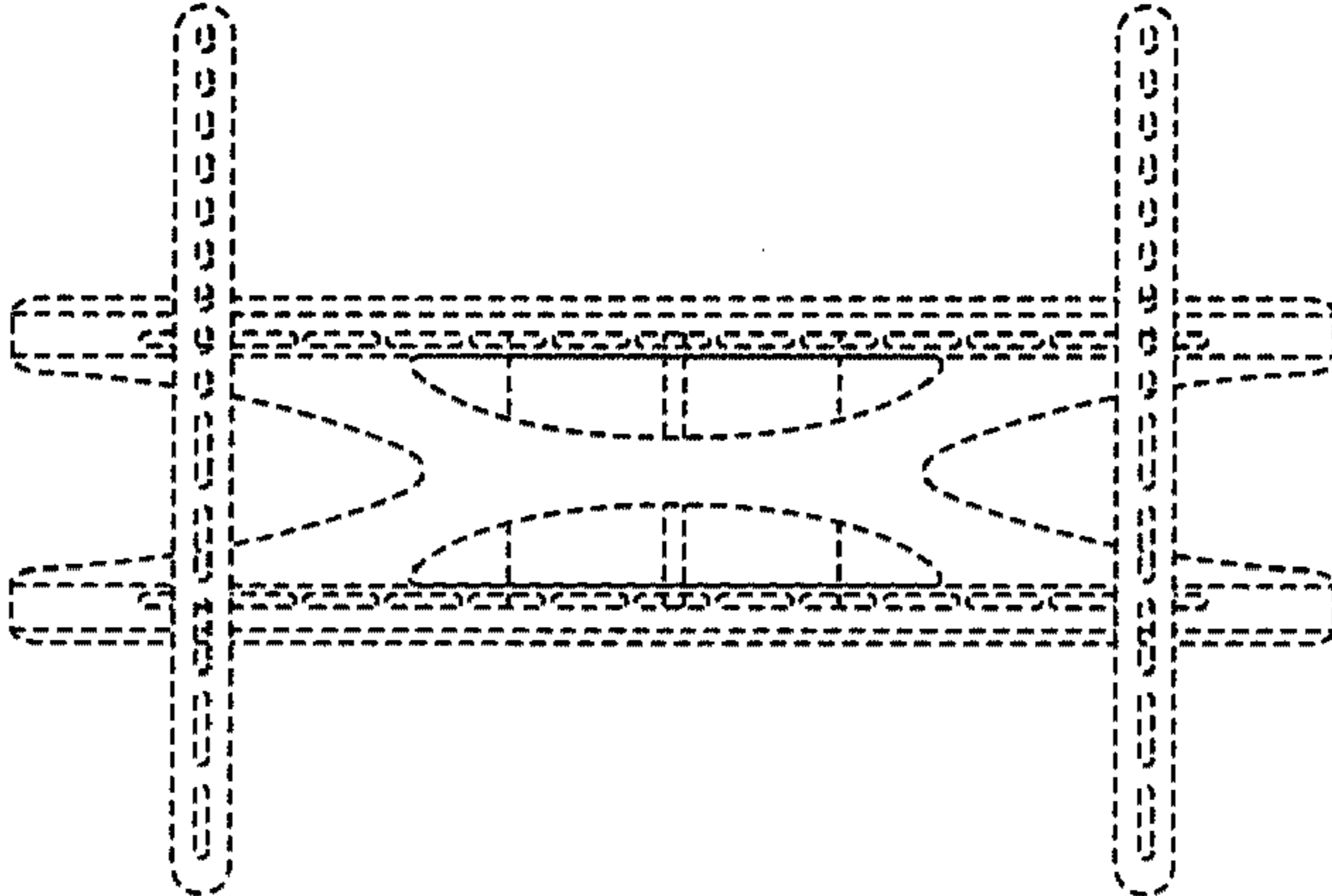


FIG. 2

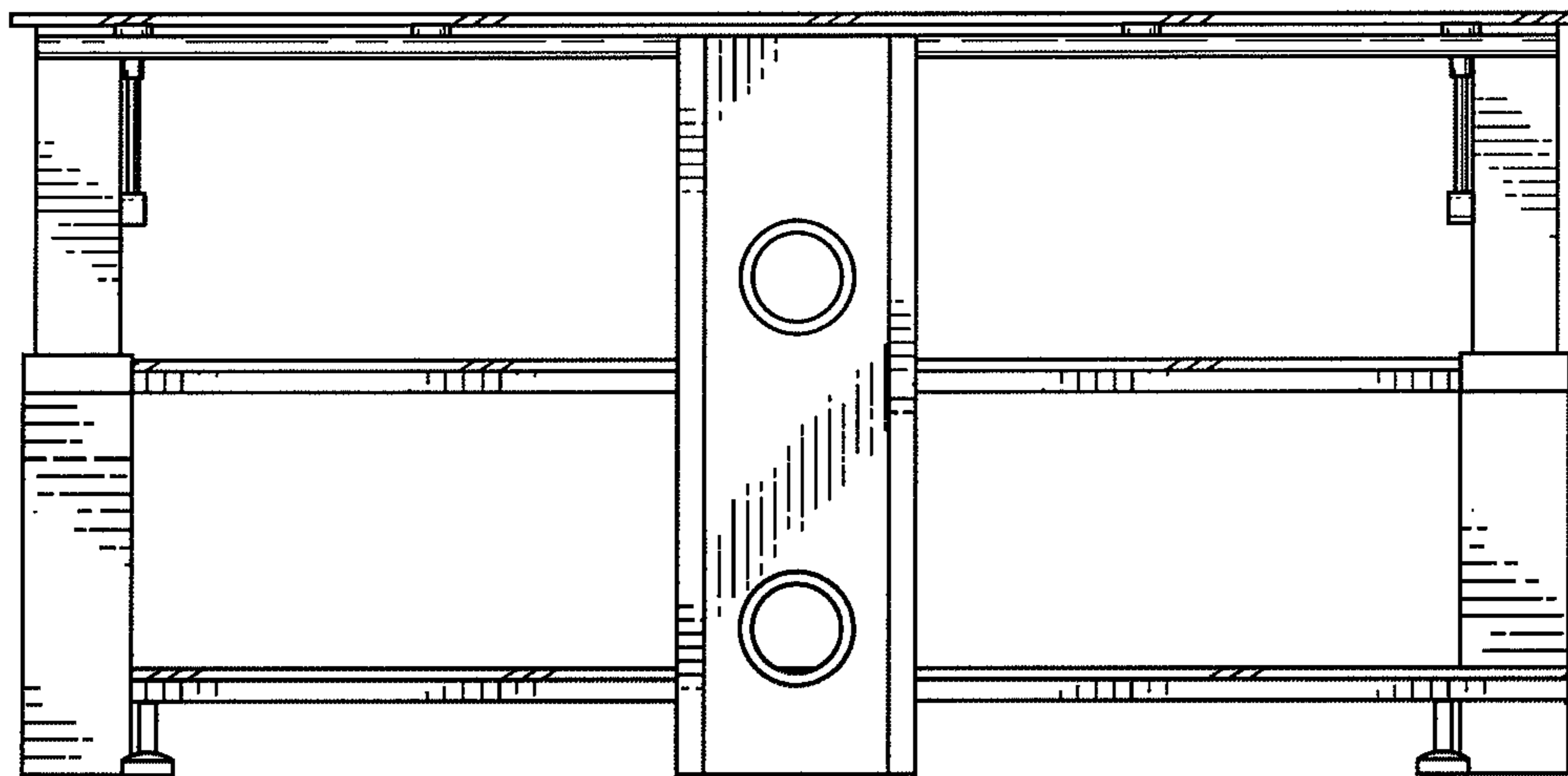
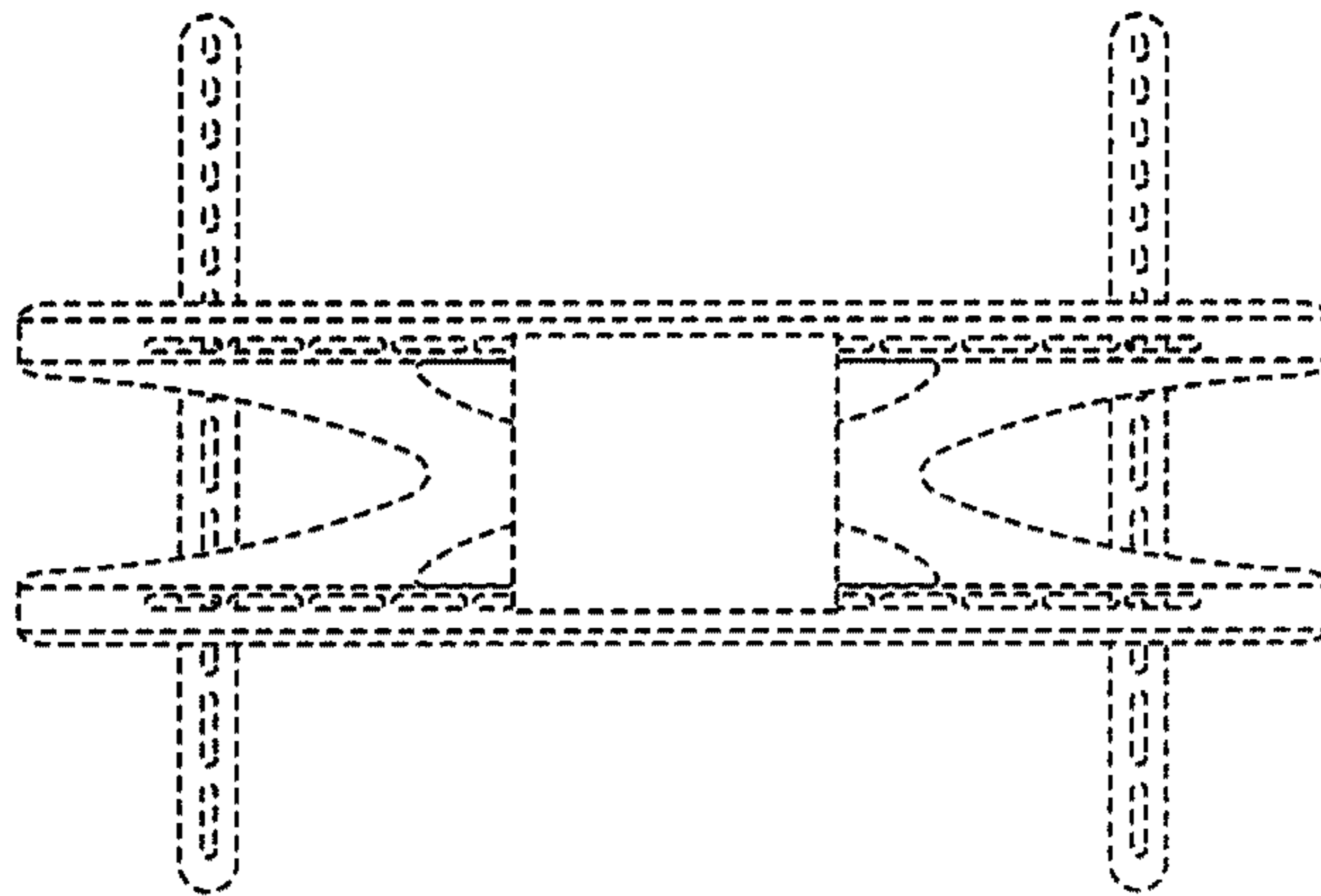


FIG. 3

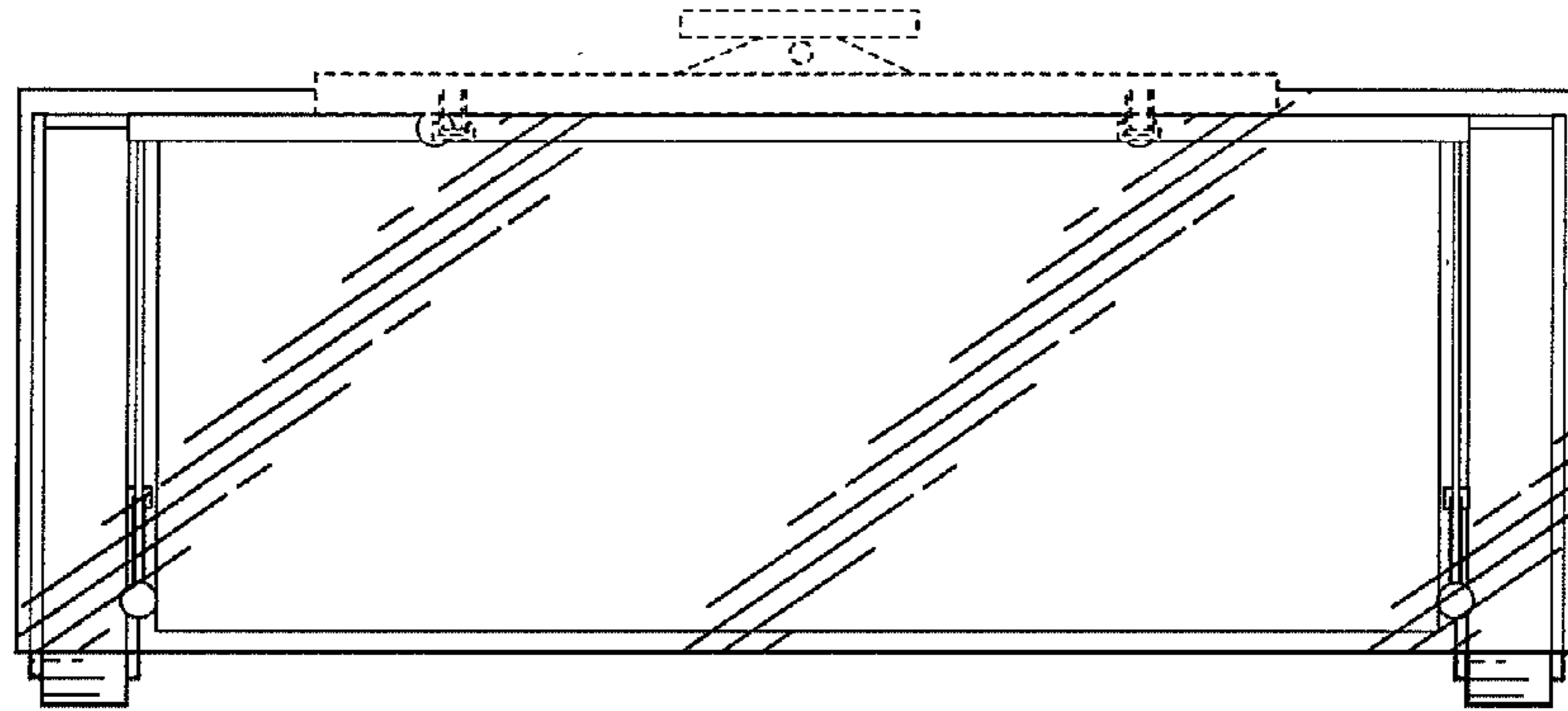


FIG. 4

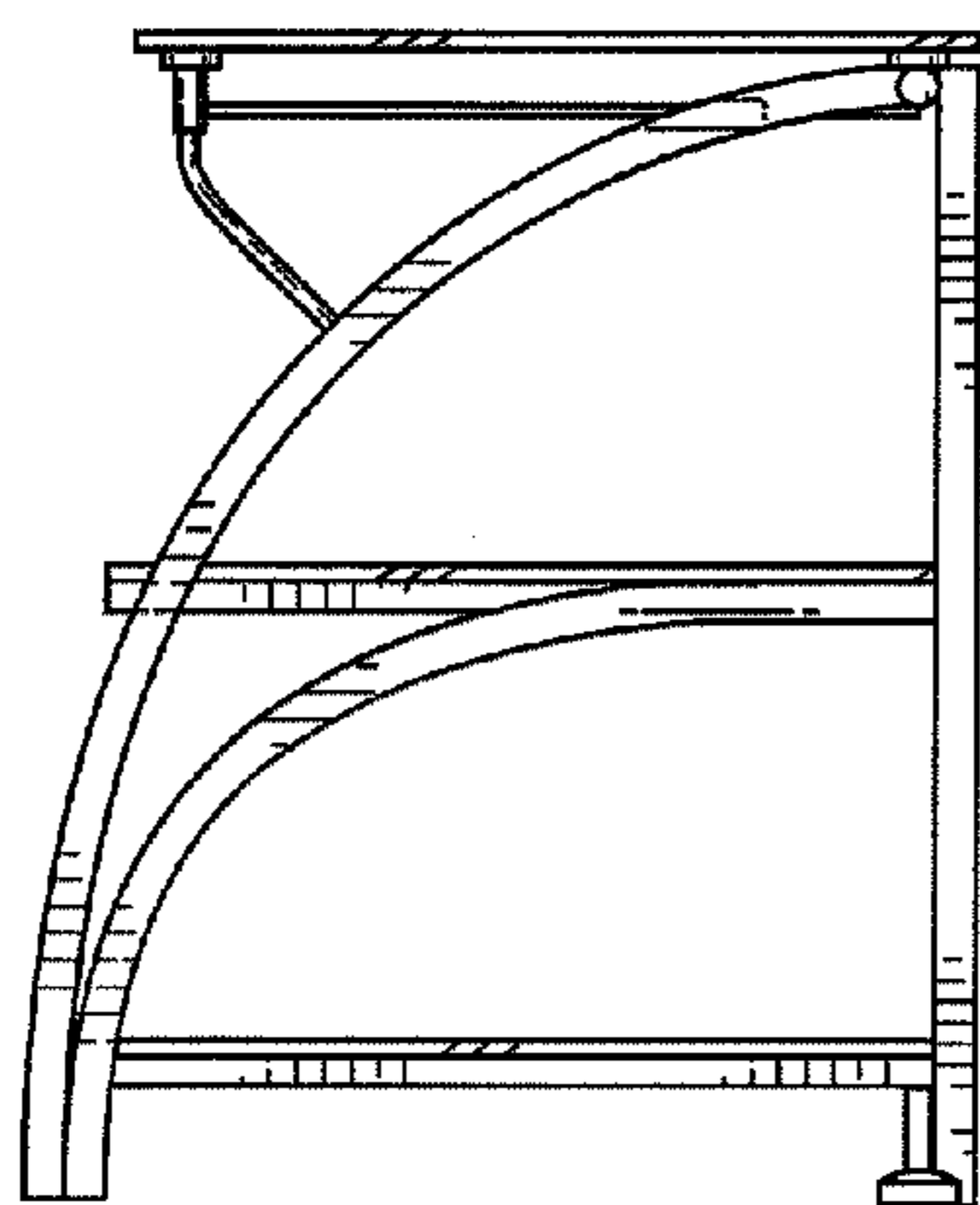
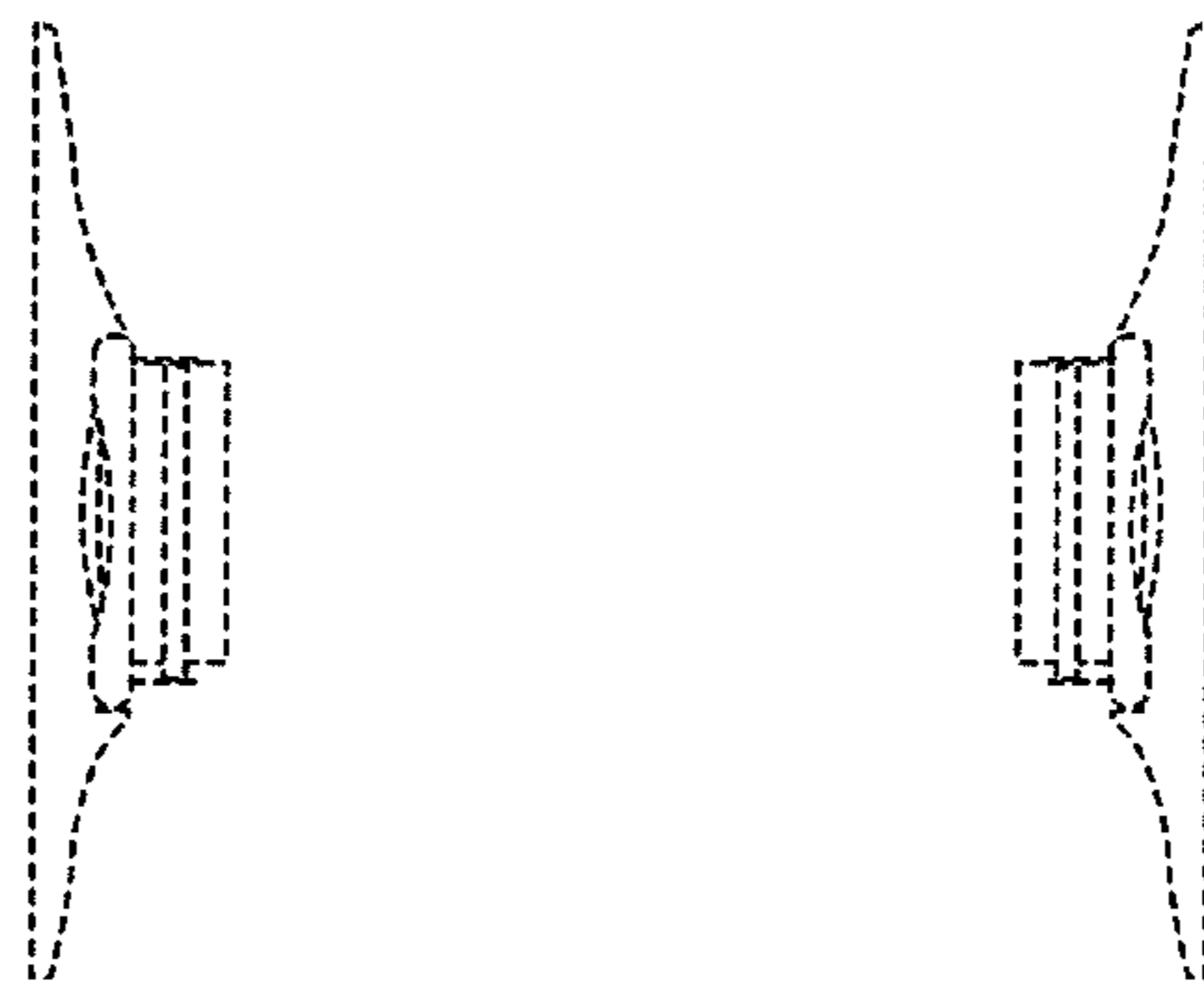


FIG. 5

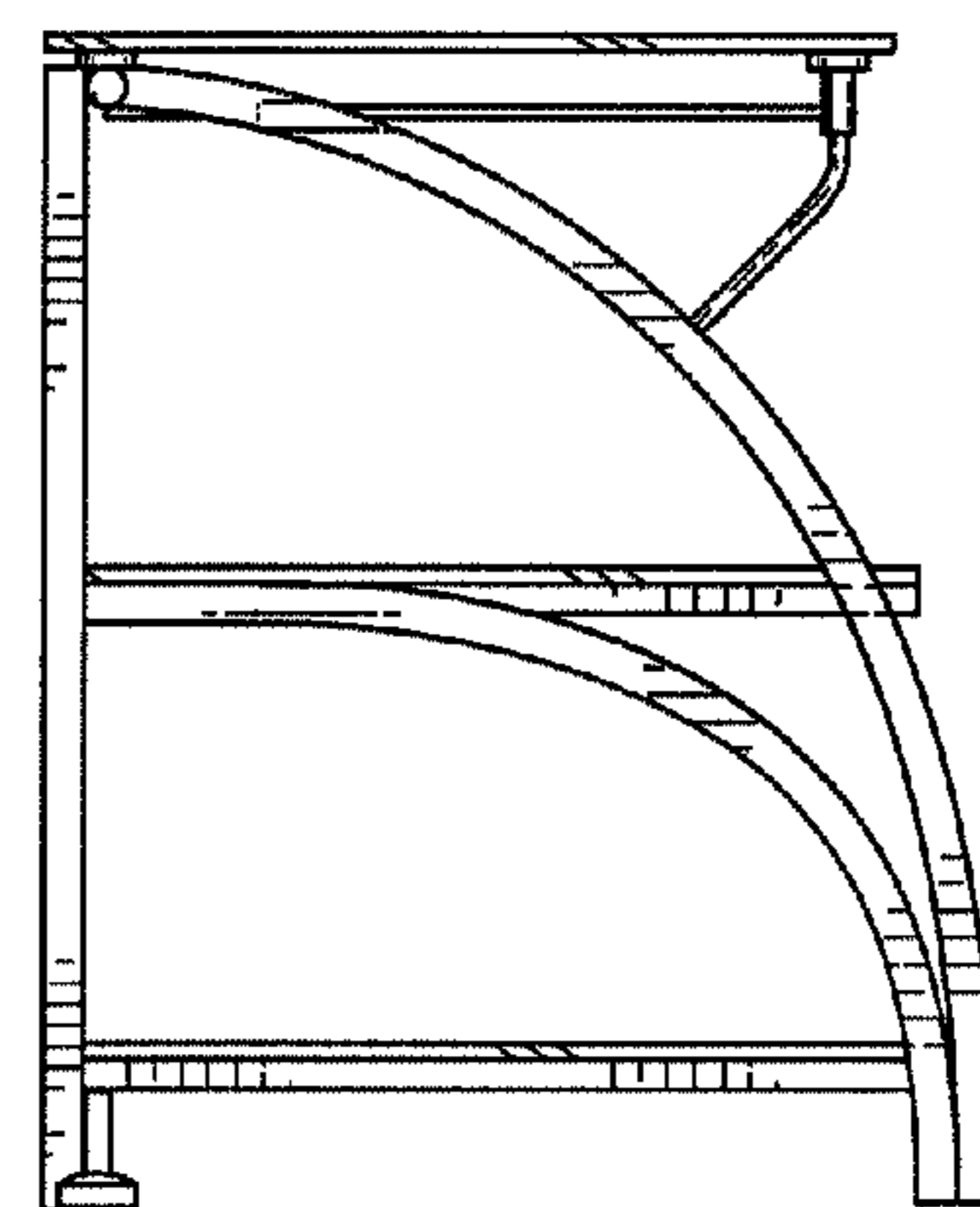


FIG. 6