



US00D653054S

(12) **United States Design Patent**  
**Schmitt**

(10) **Patent No.:** **US D653,054 S**  
(45) **Date of Patent:** **\*\* Jan. 31, 2012**

- (54) **CHINA CABINET / BUFFET**
- (75) Inventor: **Jack Schmitt**, San Juan Capistrano, CA (US)
- (73) Assignee: **Amini Innovation Corporation**, Pico Rivera, CA (US)
- (\*\*) Term: **14 Years**
- (21) Appl. No.: **29/366,402**
- (22) Filed: **Jul. 23, 2010**
- (51) **LOC (9) Cl.** ..... **06-04**
- (52) **U.S. Cl.** ..... **D6/470; D6/438**
- (58) **Field of Classification Search** ..... D6/432, D6/436, 437, 438, 439, 440, 441, 445, 446, D6/447, 448, 470, 471, 472; 312/114, 138.1, 312/204, 224, 237, 257.1, 278, 279  
See application file for complete search history.

- D434,249 S 11/2000 Cain
- D441,219 S 5/2001 Cain
- D445,279 S 7/2001 O'Hare et al.
- D447,886 S 9/2001 O'Hare et al.
- D448,205 S 9/2001 O'Hare et al.
- D448,949 S 10/2001 O'Hare et al.
- D450,476 S 11/2001 Vaaler
- D454,729 S 3/2002 Vaaler
- D458,051 S 6/2002 O'Hare et al.
- D461,655 S 8/2002 Stanton
- D465,354 S 11/2002 Cain
- D468,937 S 1/2003 Berry, Jr. et al.
- D469,624 S 2/2003 Vaaler
- D469,631 S 2/2003 Vaaler
- D469,986 S 2/2003 Stanton
- D474,054 S 5/2003 Warren et al.
- D475,868 S 6/2003 Vaaler

(Continued)

**OTHER PUBLICATIONS**

Ethan Allen Circular, Legacy Collection China Cabinet and Buffet, p. 5, 1996.

(Continued)

(56) **References Cited**

**U.S. PATENT DOCUMENTS**

- D90,111 S 6/1933 Ginsberg
- D224,926 S 10/1972 Adkinson
- D227,842 S 7/1973 Adkinson
- D242,678 S 12/1976 Adkinson
- D242,679 S 12/1976 Adkinson
- D343,306 S 1/1994 Keller
- D357,598 S \* 4/1995 Keller ..... D6/438
- D358,046 S 5/1995 Ferguson
- D371,256 S 7/1996 Paus
- D371,688 S 7/1996 Keller
- D372,139 S 7/1996 Walters, III et al.
- D373,263 S 9/1996 Keller
- D384,515 S 10/1997 Bergelin
- D389,654 S 1/1998 Walters, III et al.
- D390,043 S 2/1998 Walters, III et al.
- D390,719 S 2/1998 Walters, III et al.
- D426,980 S 6/2000 Vaaler
- D431,391 S 10/2000 Hazen et al.

*Primary Examiner* — Mimoso De

(74) *Attorney, Agent, or Firm* — Cisco & Thomas, LLP

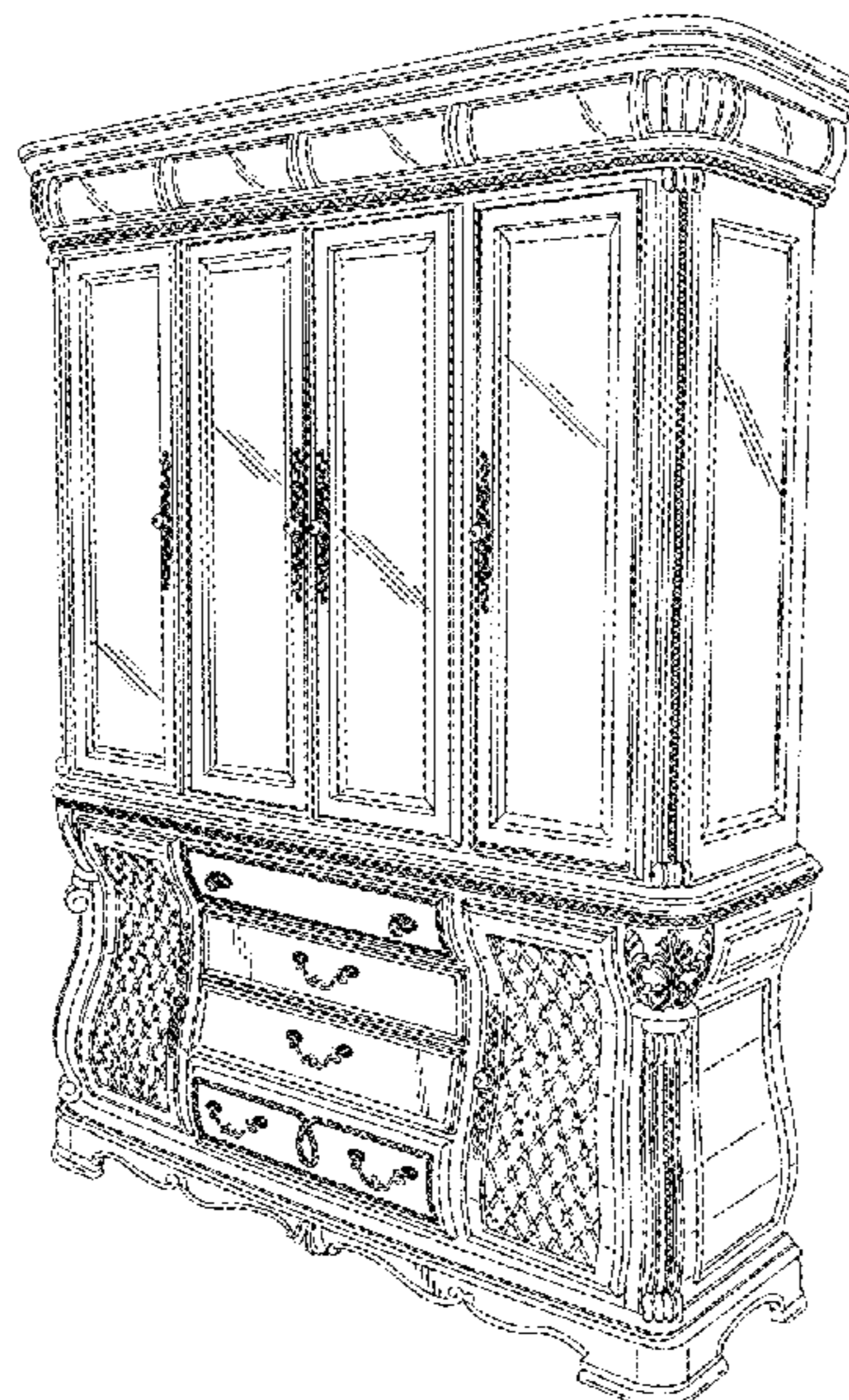
(57) **CLAIM**

I claim the ornamental design for a china cabinet / buffet, as shown and described.

**DESCRIPTION**

FIG. 1 is a perspective view of my china cabinet / buffet; FIG. 2 is a front view thereof; FIG. 3 is a left side view, the right side (not shown) is a mirror image thereof; and, FIG. 4 is a top view of my china cabinet / buffet. The broken lines are for environmental purposes only and form no part of the claimed design.

**1 Claim, 4 Drawing Sheets**



# US D653,054 S

Page 2

## U.S. PATENT DOCUMENTS

D477,725 S 7/2003 McDaniel et al.  
D480,236 S 10/2003 Schmitt  
D480,898 S 10/2003 Schmitt  
D481,555 S 11/2003 Schmitt  
D482,907 S 12/2003 Wanek et al.  
D487,202 S 3/2004 Schmitt  
D487,203 S 3/2004 Schmitt  
D498,615 S \* 11/2004 Hodges ..... D6/470  
D510,212 S 10/2005 Schmitt  
D513,675 S \* 1/2006 Peterson et al. .... D6/470  
D524,575 S 7/2006 Everson et al.  
D527,206 S 8/2006 Domack et al.  
D527,547 S 9/2006 Domack et al.  
D527,548 S 9/2006 Schmitt  
D528,325 S 9/2006 Schmitt  
D528,826 S 9/2006 Schmitt  
D529,310 S 10/2006 Schmitt  
D530,116 S 10/2006 Schmitt  
D531,427 S 11/2006 Schmitt  
D532,997 S 12/2006 Schmitt  
D549,008 S 8/2007 Domack et al.  
D560,081 S \* 1/2008 Thompson ..... D6/470  
D564,259 S 3/2008 Hassett, Jr.  
D564,783 S 3/2008 Schmitt  
D564,784 S 3/2008 Schmitt  
D564,795 S 3/2008 Schmitt  
D565,325 S 4/2008 Schmitt

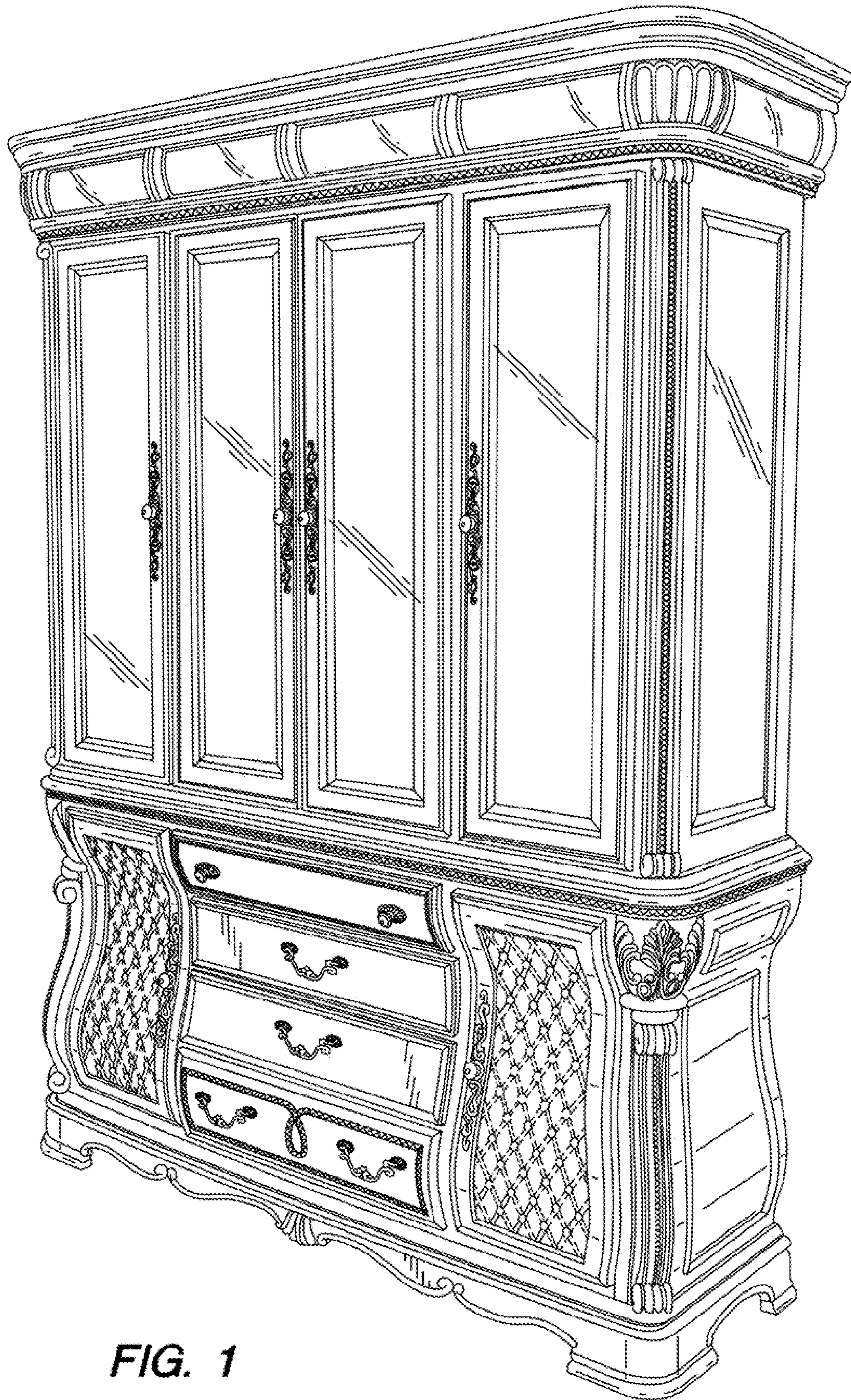
D586,586 S \* 2/2009 Schmitt ..... D6/470  
D586,587 S 2/2009 Schmitt  
D592,890 S \* 5/2009 Schmitt ..... D6/470  
D595,064 S \* 6/2009 Thompson ..... D6/438  
D629,231 S \* 12/2010 Schmitt ..... D6/470

## OTHER PUBLICATIONS

Furniture Today, Union City Imports China Hutch, p. 158, Oct. 19, 1998.  
Furniture Today, AICO China Hutch, p. 15, Oct. 16, 2000.  
Furniture Today, Broyhill China Hutch, p. 11, Apr. 16, 2001.  
Furniture Today, Marge Carson Wall Unit, p. 126, Oct. 11, 1999.  
Furniture Today, Pulaski Armoire, p. 33, Apr. 15, 2002.  
Amini Innovation Corp. Monte Carlo Collection, #53000 Series, 2001, 2 pages.  
Amini Innovation Corp. La Francaise Collection, #50000 Series, Sep. 11, 2002, 5 pages.  
Amini Innovation Corp. Royal Oak Collection, #31000 Series, Sep. 11, 2002, 1 page.  
Amini Innovation Corp. Tuscano China Cabinet and Buffet, Sep. 14, 2004, 1 page.  
Amini Innovation Corp. Excelsior China Cabinet and Buffet, Sep. 14, 2004, 1 page.  
Amini Innovation Corp. Trevi Collection, Sep. 20, 2004, 2 pages.

\* cited by examiner





**FIG. 1**



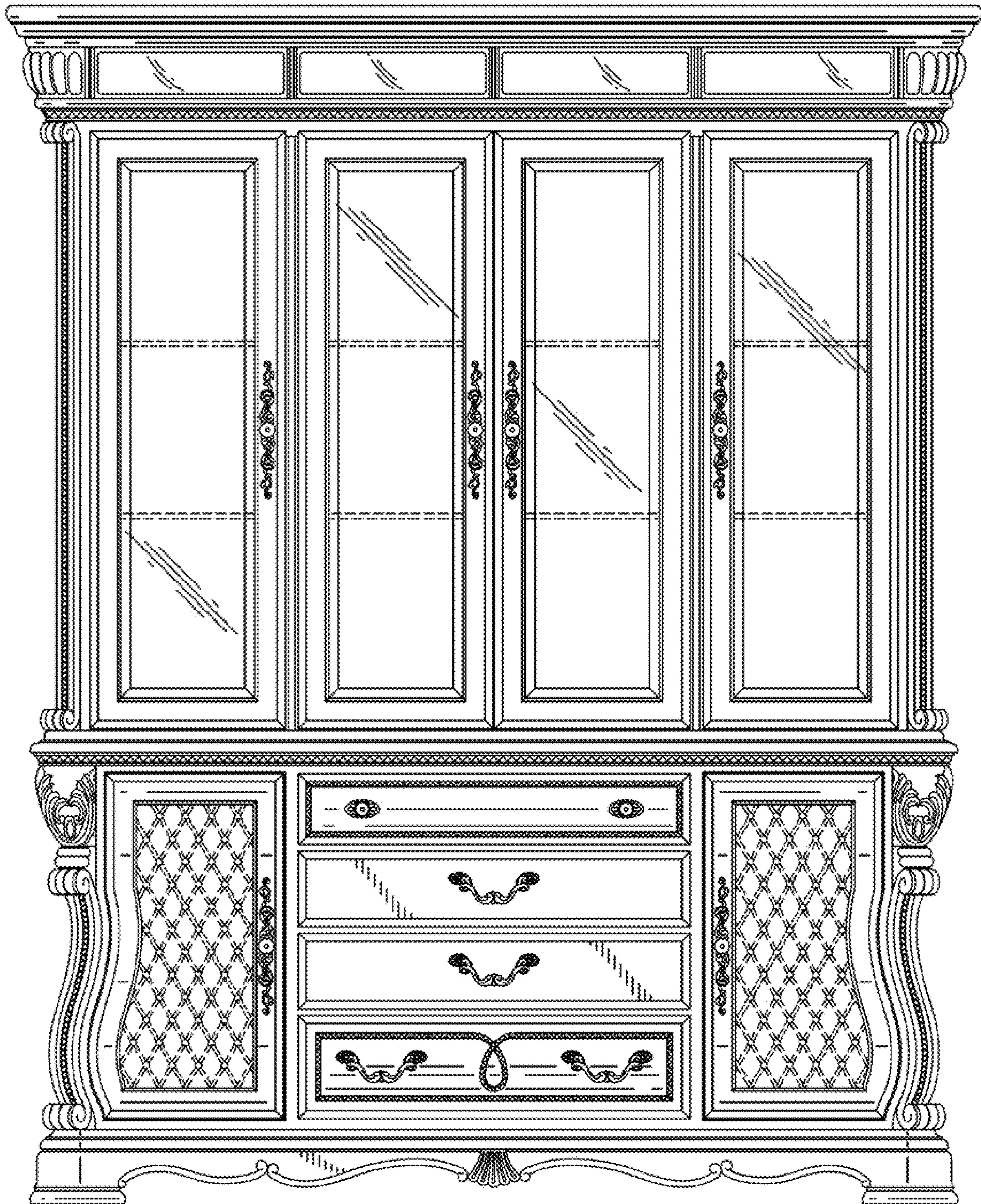
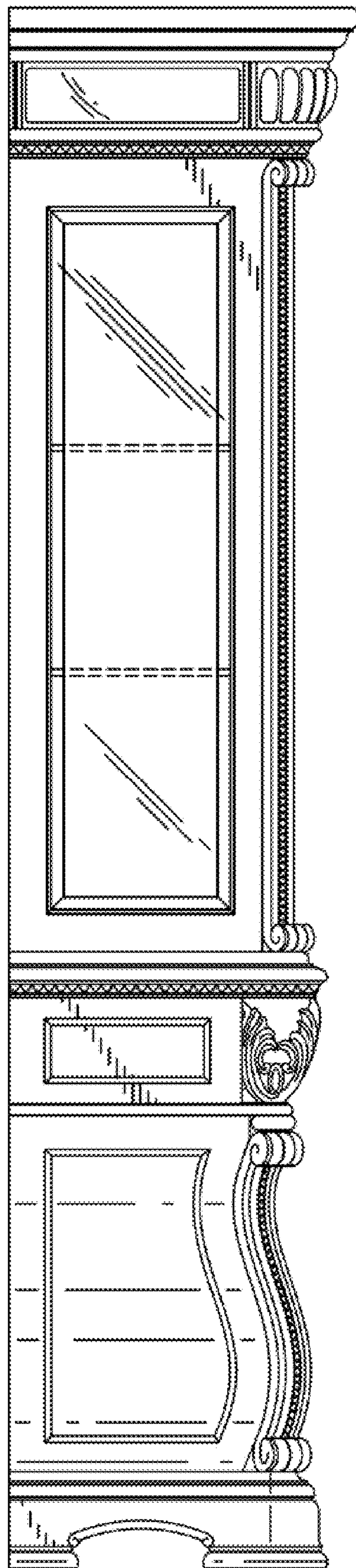
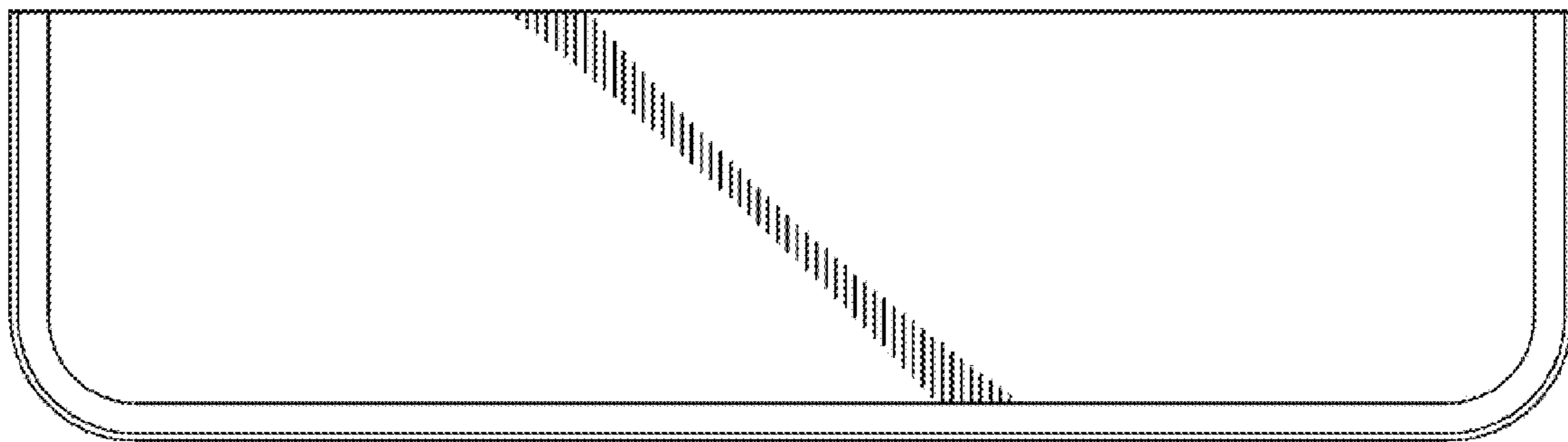


FIG. 2



**FIG. 3**





*FIG. 4*