



US00D653053S

(12) **United States Design Patent**
Goodman et al.

(10) **Patent No.:** **US D653,053 S**
(45) **Date of Patent:** **** Jan. 31, 2012**

(54) **HOLDER FOR HOUSEHOLD ARTICLES**
(75) Inventors: **Sheldon H. Goodman**, Solon, OH (US);
Omer I. Sazir, Brooklyn, NY (US);
Elizabeth A. Cho, Strongsville, OH (US)

(73) Assignee: **Spectrum Diversified Designs, Inc.**,
Streetsboro, OH (US)

(**) Term: **14 Years**

(21) Appl. No.: **29/397,216**

(22) Filed: **Jul. 13, 2011**

Related U.S. Application Data

(62) Division of application No. 29/367,896, filed on Aug. 14, 2010, now Pat. No. Des. 645,671.

(51) **LOC (9) Cl.** **06-04**

(52) **U.S. Cl.** **D6/462**

(58) **Field of Classification Search** D6/396,
D6/397, 449, 450, 454-469, 566; 211/1,
211/11, 13.1, 22, 41.1, 41.2, 85.31, 86.01,
211/134, 191.1; D7/601, 631; D19/90, 92;
D3/304, 306

See application file for complete search history.

(56) **References Cited**

U.S. PATENT DOCUMENTS

D322,002 S * 12/1991 Emery D6/566
D436,463 S 1/2001 Goodman et al.

D453,273 S 2/2002 Goodman et al.
D484,008 S 12/2003 Goodman et al.
6,948,621 B1 9/2005 Lassanske et al.
D535,405 S * 1/2007 Stein et al. D25/38
D575,554 S 8/2008 Calabria et al.
D583,589 S 12/2008 Goodman et al.
D583,872 S 12/2008 Smith
D634,121 S 3/2011 Goodman et al.
D643,662 S * 8/2011 Goodman et al. D6/566
D643,663 S * 8/2011 Goodman et al. D6/566
D645,671 S * 9/2011 Goodman et al. D6/362
2009/0065452 A1 3/2009 Smith
2009/0065453 A1 3/2009 Smith

* cited by examiner

Primary Examiner — Mary Ann Calabrese

(74) *Attorney, Agent, or Firm* — Pearne & Gordon LLP

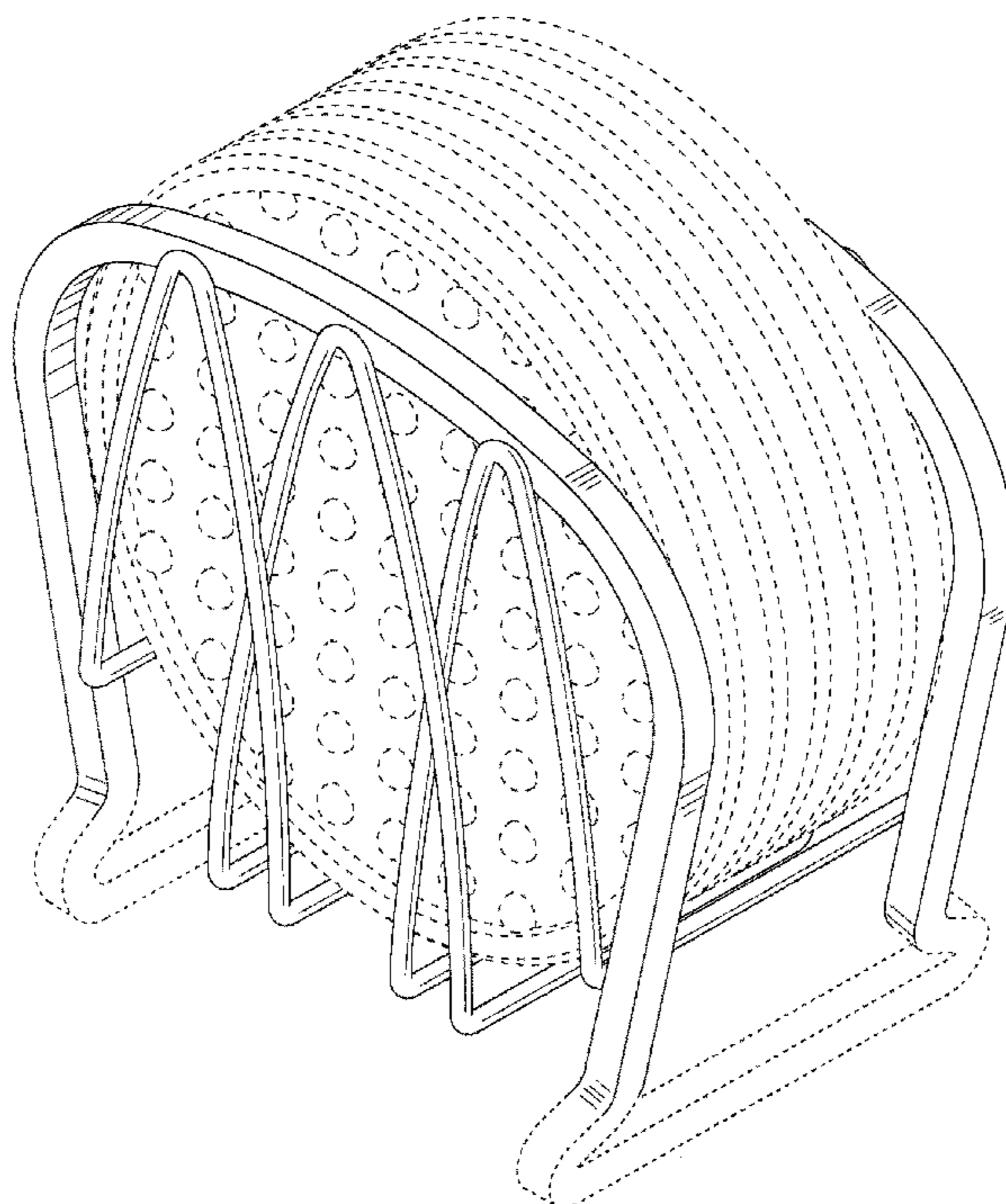
(57) **CLAIM**

The ornamental design for a holder for household articles, as shown and described.

DESCRIPTION

FIG. 1 is a perspective view of a holder for household articles showing our new design;
FIG. 2 is a top plan view thereof;
FIG. 3 is a front elevational view thereof;
FIG. 4 is a right side elevational view thereof, the left side elevational view being identical; and,
FIG. 5 is a bottom plan view.
The dotted-line showing in the drawings illustrates environmental matter and forms no part of the claimed design.

1 Claim, 2 Drawing Sheets



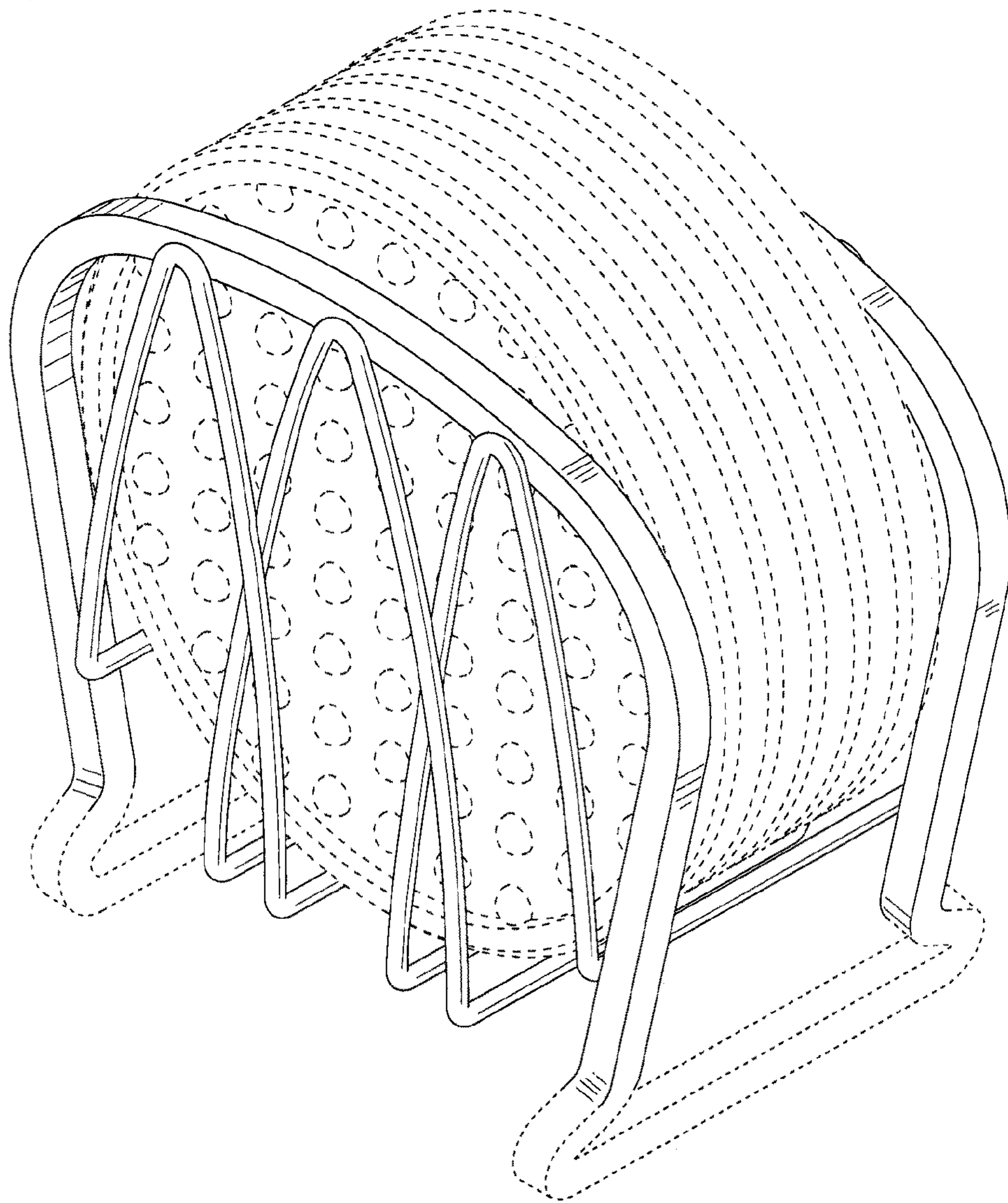


FIG. 1

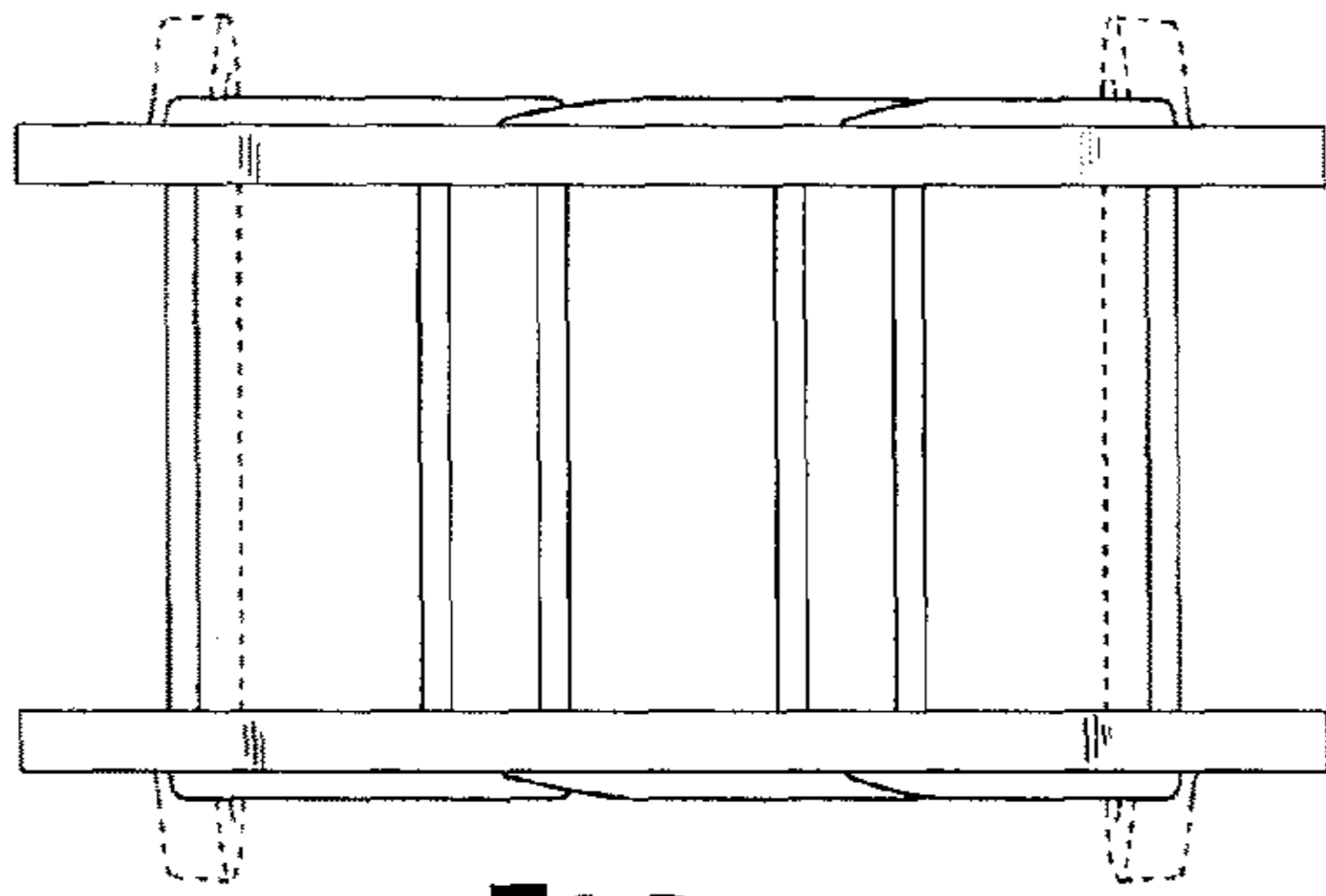


FIG. 2

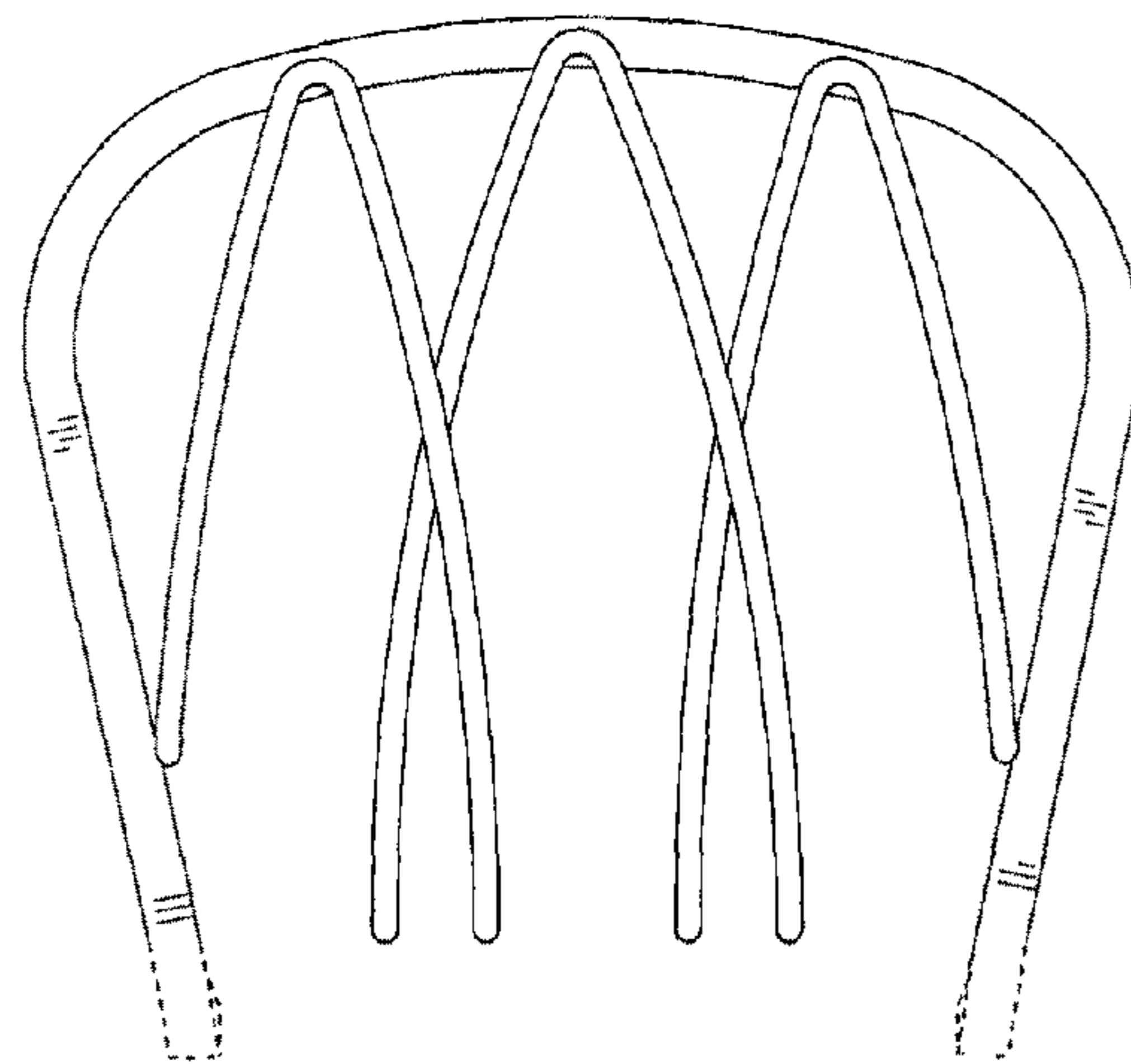


FIG. 3

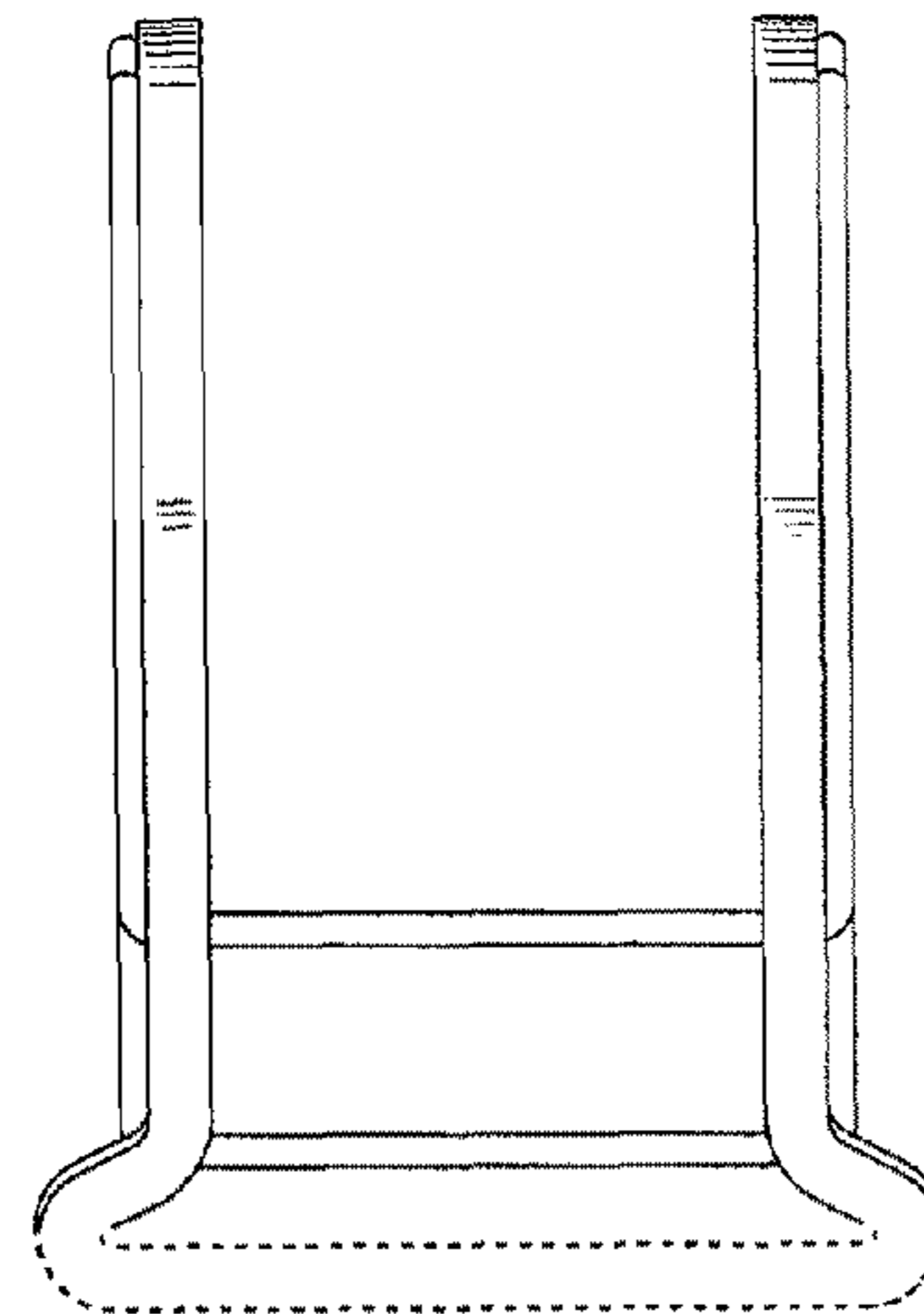


FIG. 4

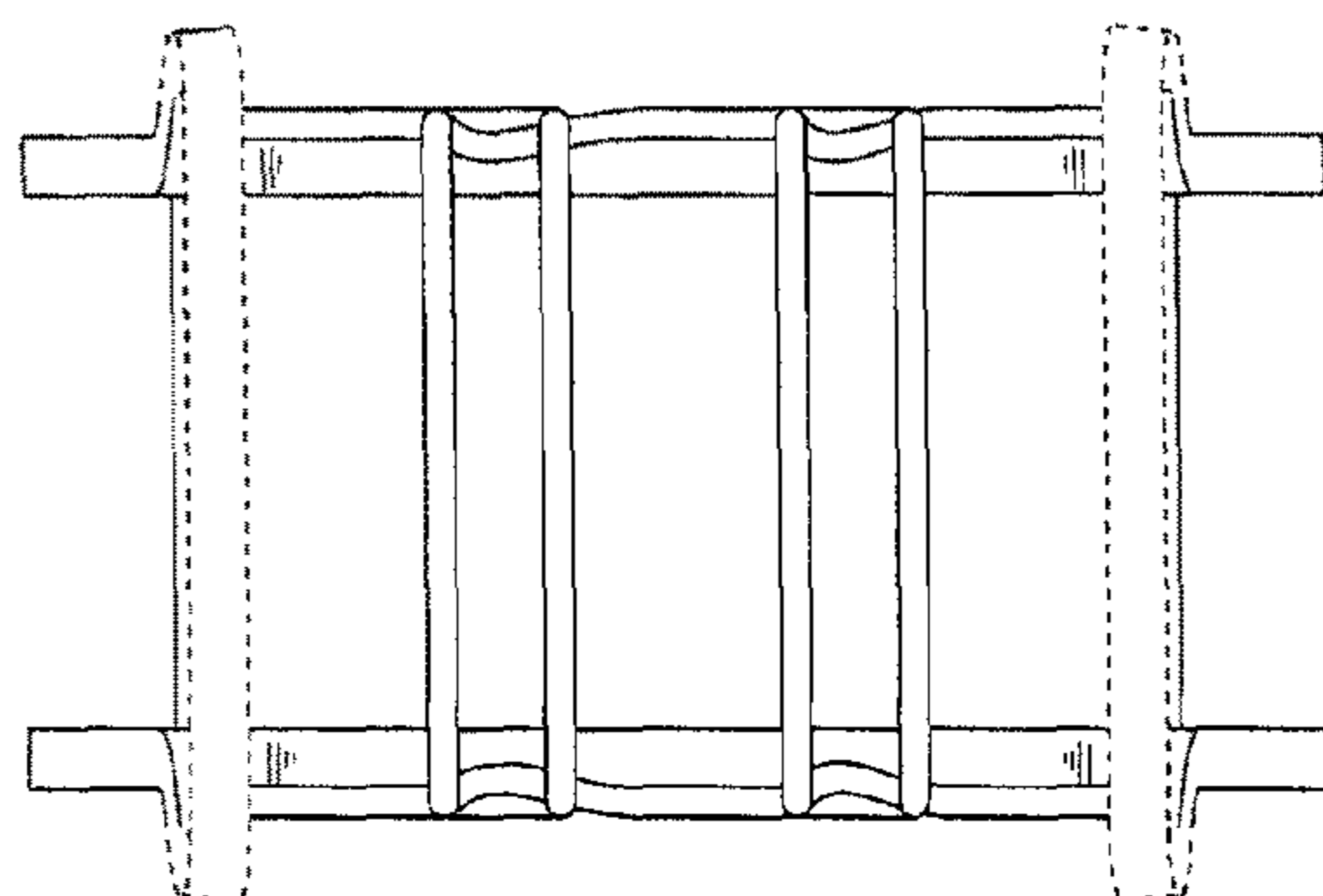


FIG. 5