



US00D653049S

(12) **United States Design Patent**
Goldszer

(10) **Patent No.:** **US D653,049 S**

(45) **Date of Patent:** **** Jan. 31, 2012**

(54) **FOLDABLE TABLE**

(75) Inventor: **Jacob Goldszer**, Weston, FL (US)

(73) Assignee: **JGR Copa, LLC**, Hollywood, FL (US)

(**) Term: **14 Years**

(21) Appl. No.: **29/391,378**

(22) Filed: **May 6, 2011**

(51) **LOC (9) Cl.** **06-06**

(52) **U.S. Cl.** **D6/406.3**

(58) **Field of Classification Search** D6/406.3–406.6,
D6/406.9, 420, 429; D7/505–507, 545–546,
D7/550–557, 601–603, 610, 619–620; 220/17.1,
220/671, 675, 630; 206/427, 433, 485–487,
206/557, 562–564, 523–534, 589–590; 108/43–44
See application file for complete search history.

(56) **References Cited**

U.S. PATENT DOCUMENTS

| | | | | |
|---------------|---------|----------------|-------|----------|
| D265,154 S * | 6/1982 | Cox | | D6/406.6 |
| 4,927,024 A * | 5/1990 | Lloyd | | 206/562 |
| D335,796 S * | 5/1993 | Barnes | | D7/553.5 |
| D336,407 S * | 6/1993 | Harding et al. | | D7/553.5 |
| D343,083 S * | 1/1994 | Heiman | | D6/511 |
| D345,083 S * | 3/1994 | Rosenfield | | D7/553.5 |
| D378,477 S * | 3/1997 | Sussman | | D6/406.6 |
| D382,727 S * | 8/1997 | Kresge et al. | | D7/552.2 |
| 5,918,550 A * | 7/1999 | Weir et al. | | 108/42 |
| D423,290 S * | 4/2000 | Green | | D7/553.5 |
| D435,196 S * | 12/2000 | Gregor et al. | | D7/552.1 |
| D496,828 S * | 10/2004 | Lackey | | D7/553.5 |
| D534,816 S * | 1/2007 | Newton | | D9/755 |
| D551,890 S * | 10/2007 | Gruber | | D6/601 |

D573,410 S * 7/2008 Hou D7/553.4
D591,560 S * 5/2009 Lackey et al. D7/553.8
D592,418 S * 5/2009 Bergin D6/397

(Continued)

Primary Examiner — Elizabeth Albert

Assistant Examiner — Kelley Donnelly

(74) *Attorney, Agent, or Firm* — Knobbe, Martens, Olson & Bear, LLP

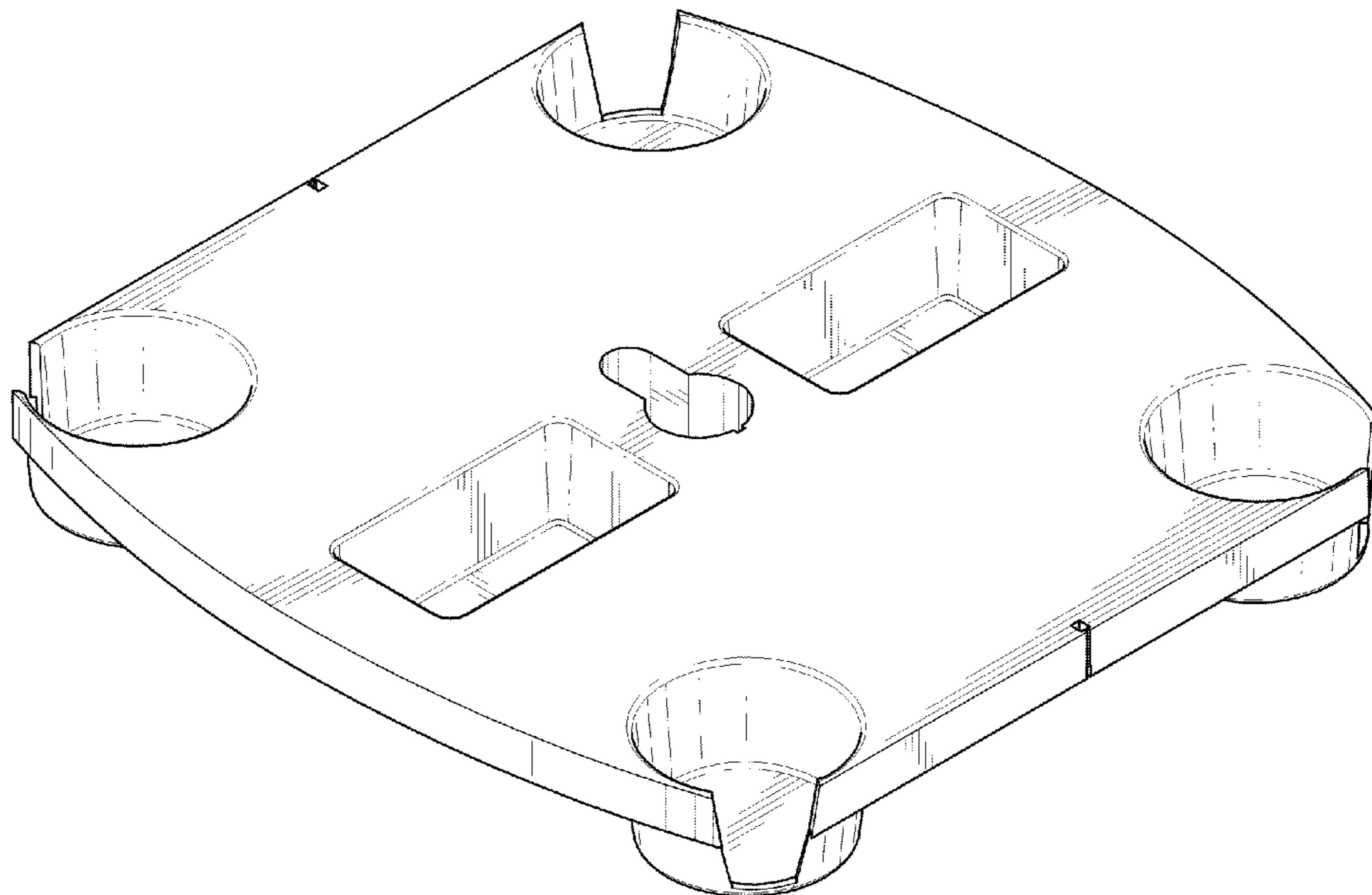
(57) **CLAIM**

The ornamental designs for a foldable table, as shown and described.

DESCRIPTION

FIG. 1 is a top perspective view of a foldable table.
 FIG. 2 is a bottom perspective view of the foldable table of FIG. 1.
 FIG. 3 is a bottom view of the foldable table of FIG. 1.
 FIG. 4 is a top view of the foldable table of FIG. 1.
 FIG. 5 is a right side view of the foldable table of FIG. 1, the left side view being a mirror image of the right side view;
 FIG. 6 is a rear view of the foldable table of FIG. 1.
 FIG. 7 is a front view of the foldable table of FIG. 1.
 FIG. 8 is a perspective view of the foldable table of FIG. 1, in a folded condition.
 FIG. 9 is a top view of the foldable table of FIG. 1, in a folded condition.
 FIG. 10 is a bottom view of the foldable table of FIG. 1, in a folded condition.
 FIG. 11 is a right side view of the foldable table of FIG. 1, in a folded condition.
 FIG. 12 is a left side view of the foldable table of FIG. 1, in a folded condition.
 FIG. 13 is rear view of the foldable table of FIG. 1, in a folded condition; and,
 FIG. 14 is front view of the foldable table of FIG. 1, in a folded condition.

1 Claim, 9 Drawing Sheets



US D653,049 S

Page 2

U.S. PATENT DOCUMENTS

| | | | | | | | | | |
|------------|---|---------|-----------------|----------|------------------|---|--------|-------------------|--------|
| D606,774 S | * | 12/2009 | Kohli | D6/406.6 | D642,408 S | * | 8/2011 | Pirkd | D6/511 |
| D630,687 S | * | 1/2011 | Meinel | D21/686 | 2005/0039639 A1* | | 2/2005 | Espenschied | 108/25 |
| D634,541 S | * | 3/2011 | Gutierrez | D3/313 | | | | | |

* cited by examiner

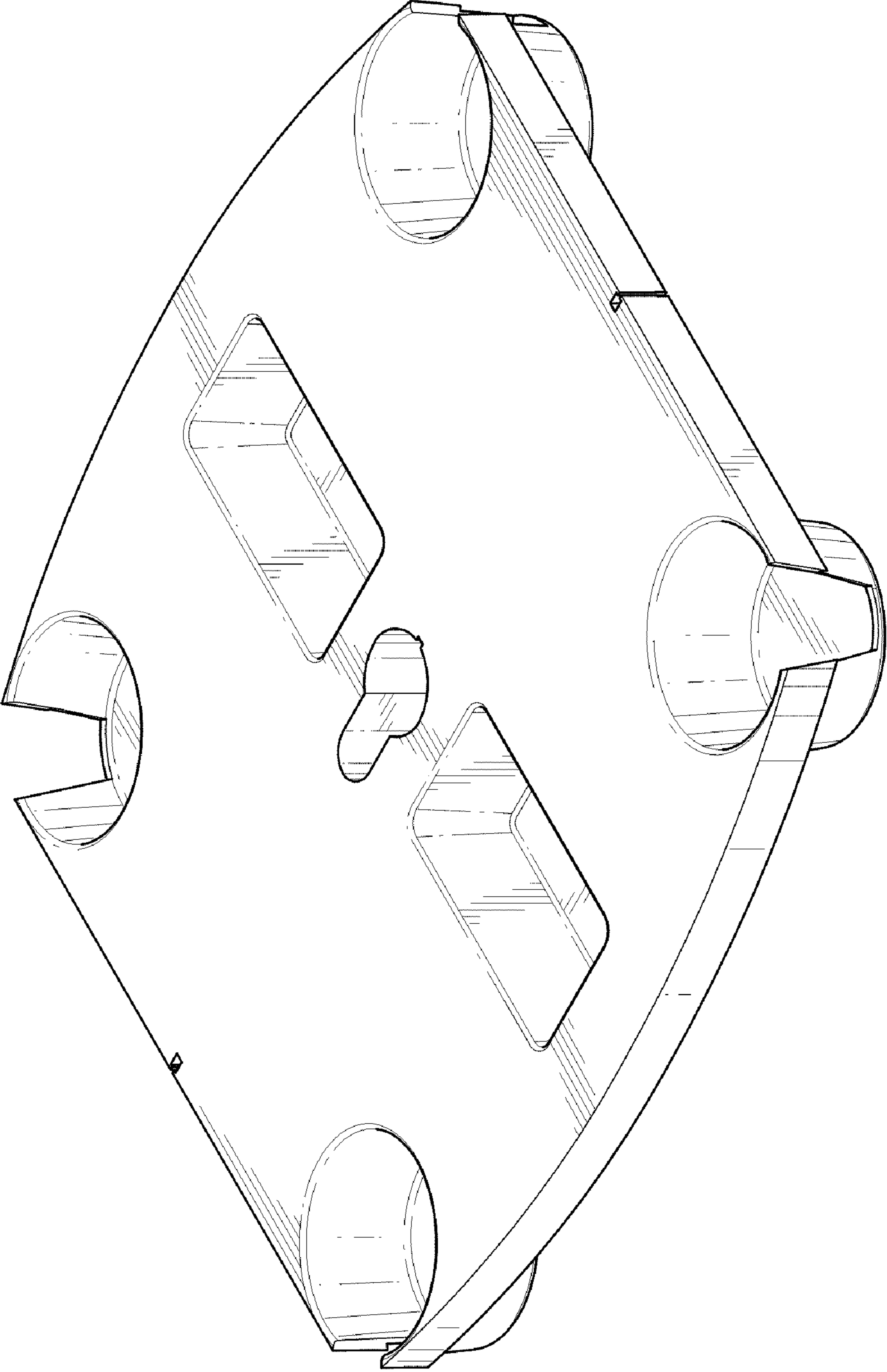


FIG. 1

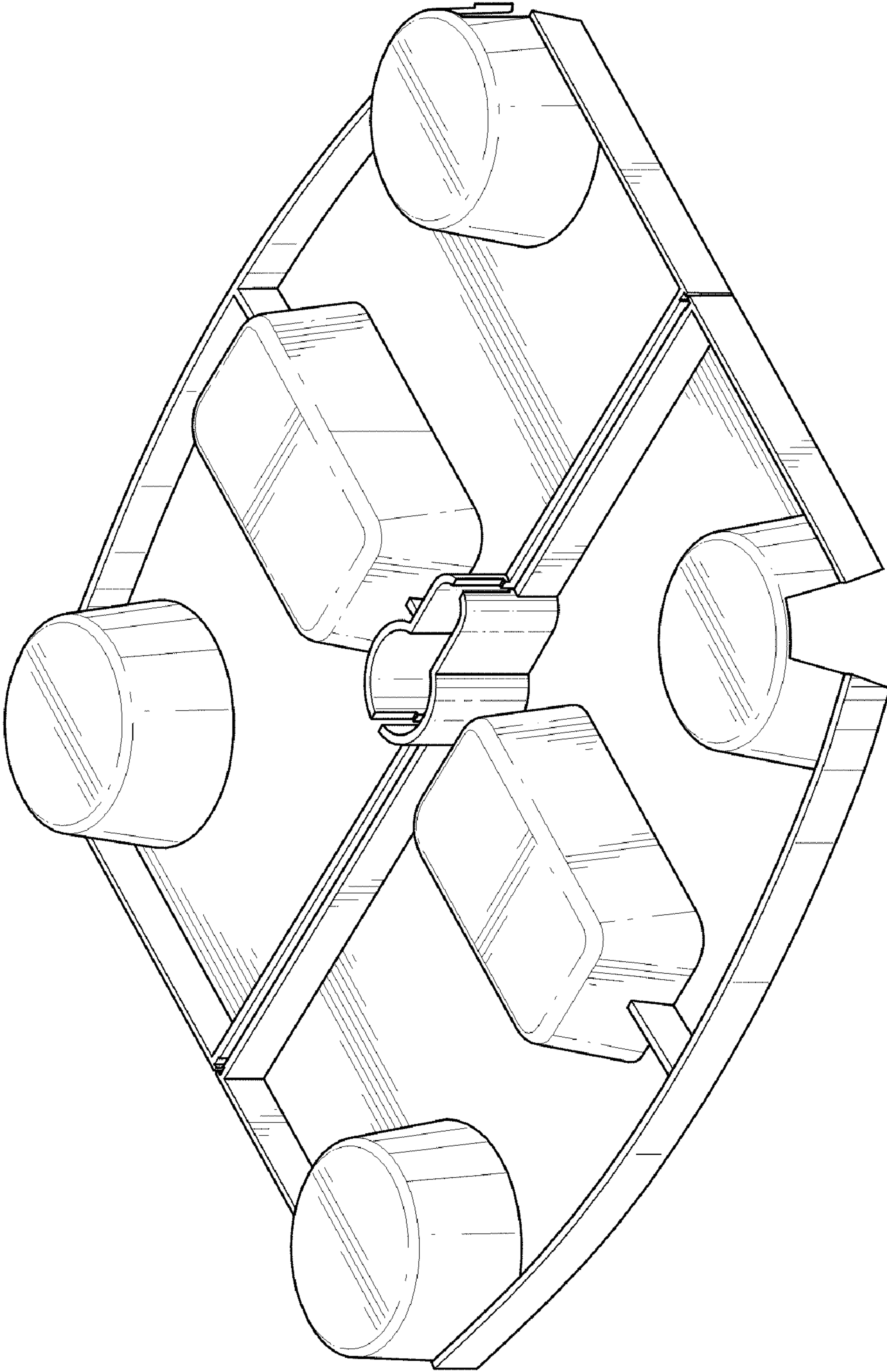


FIG. 2

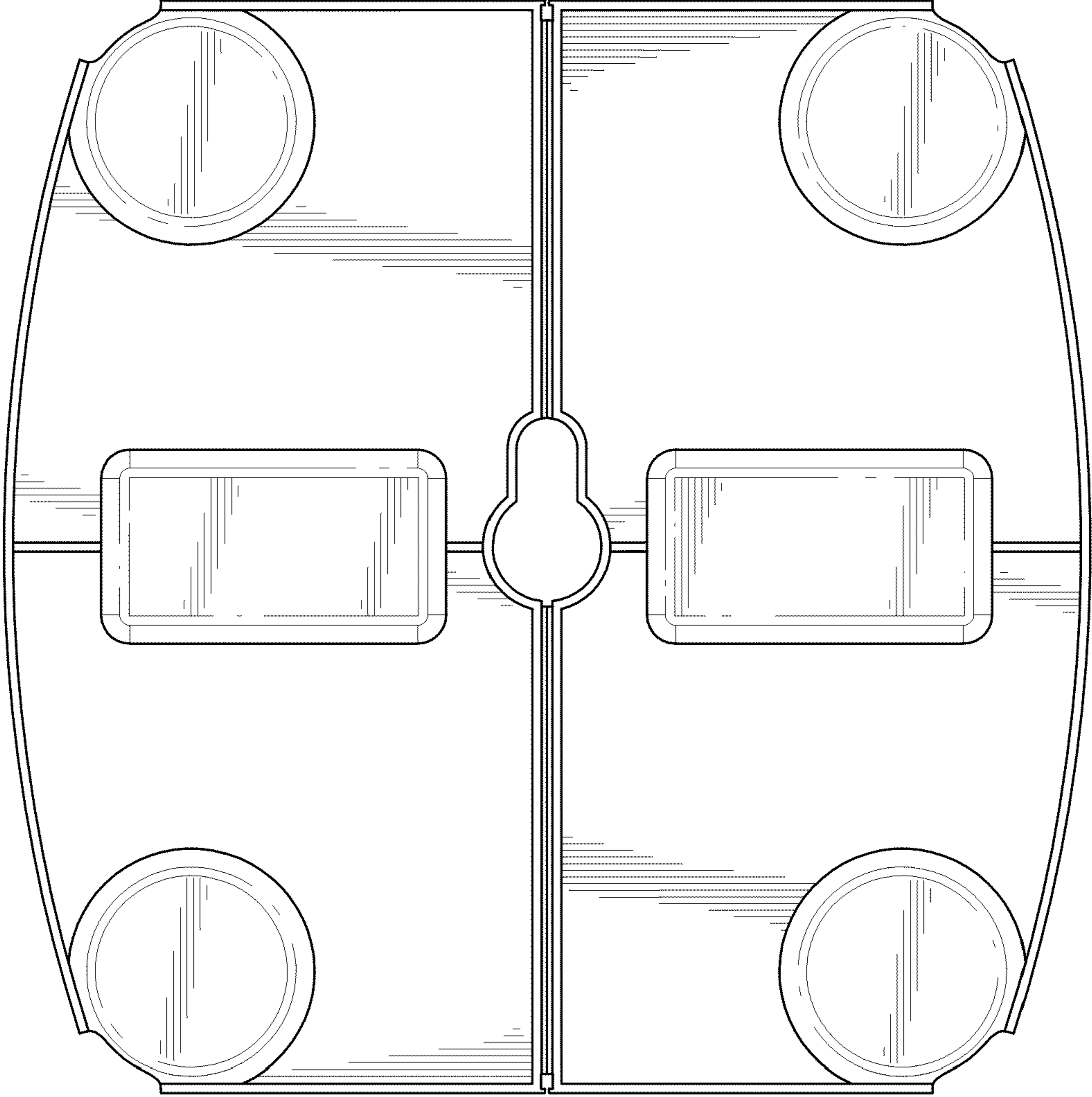


FIG. 3

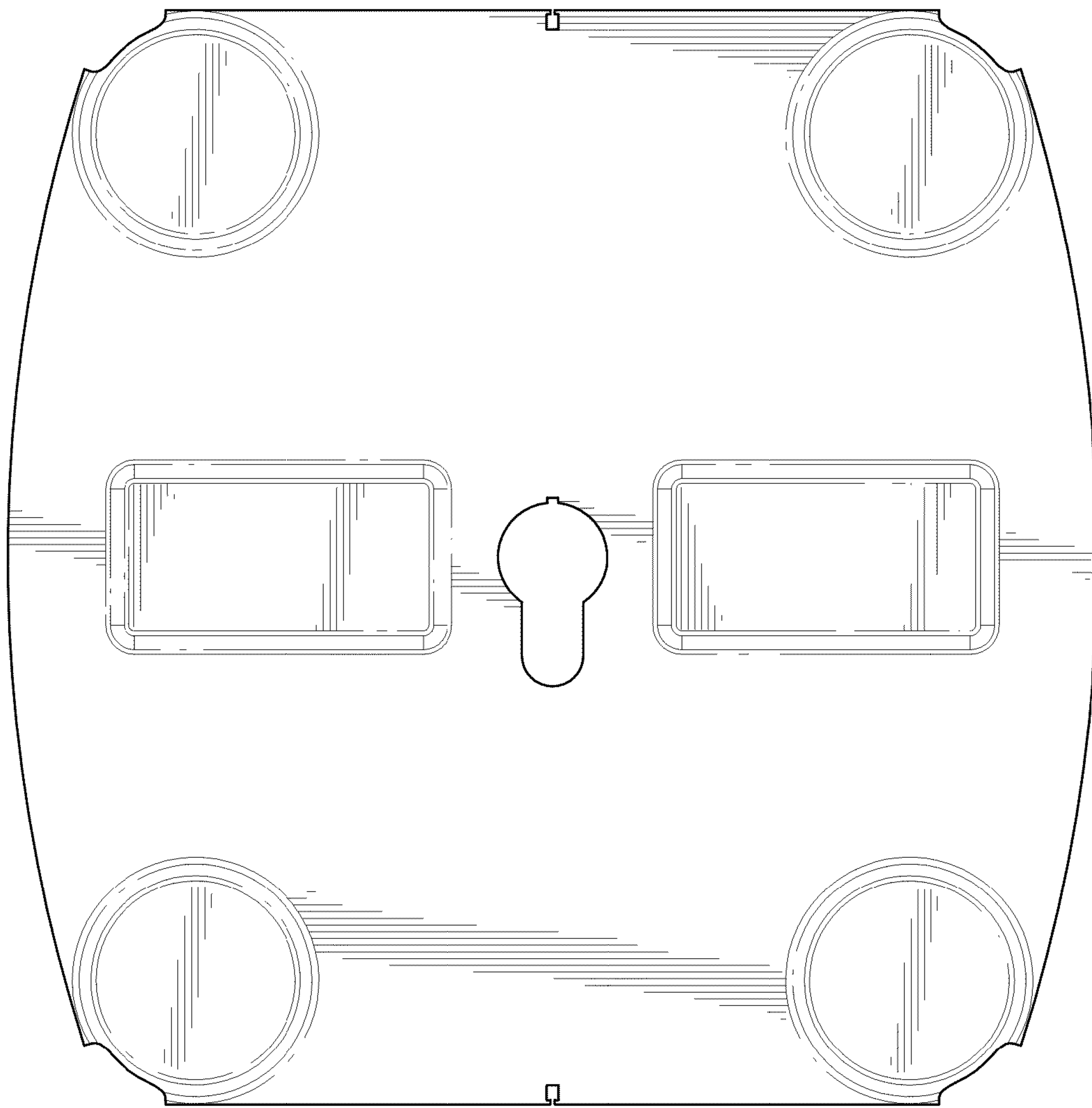


FIG. 4

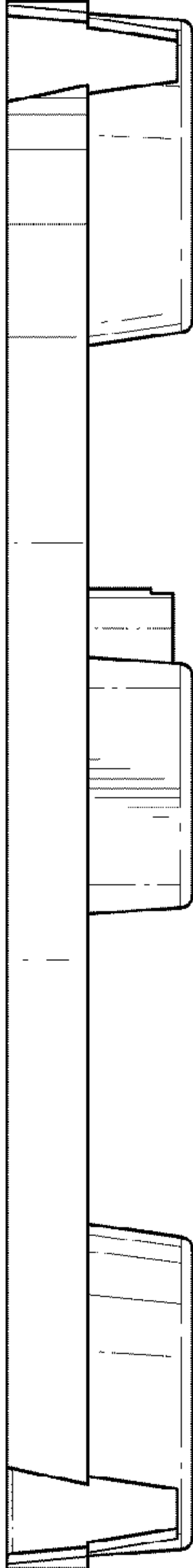


FIG. 5

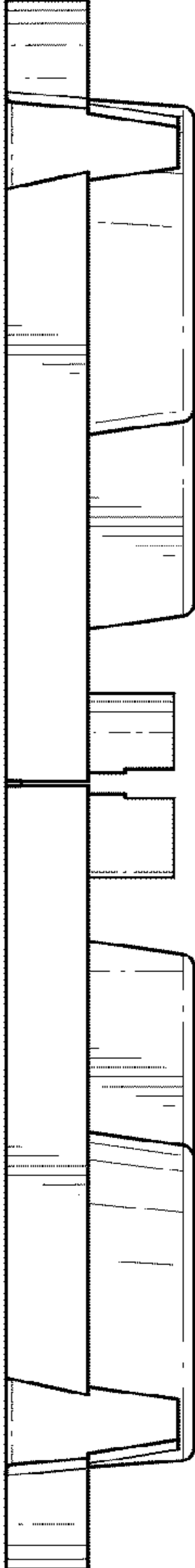


FIG. 6

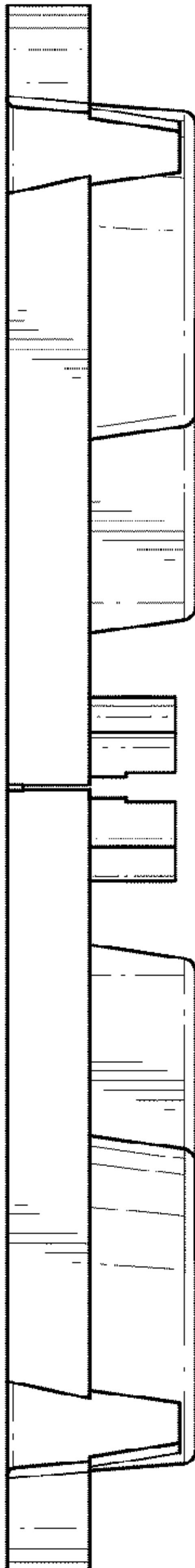


FIG. 7

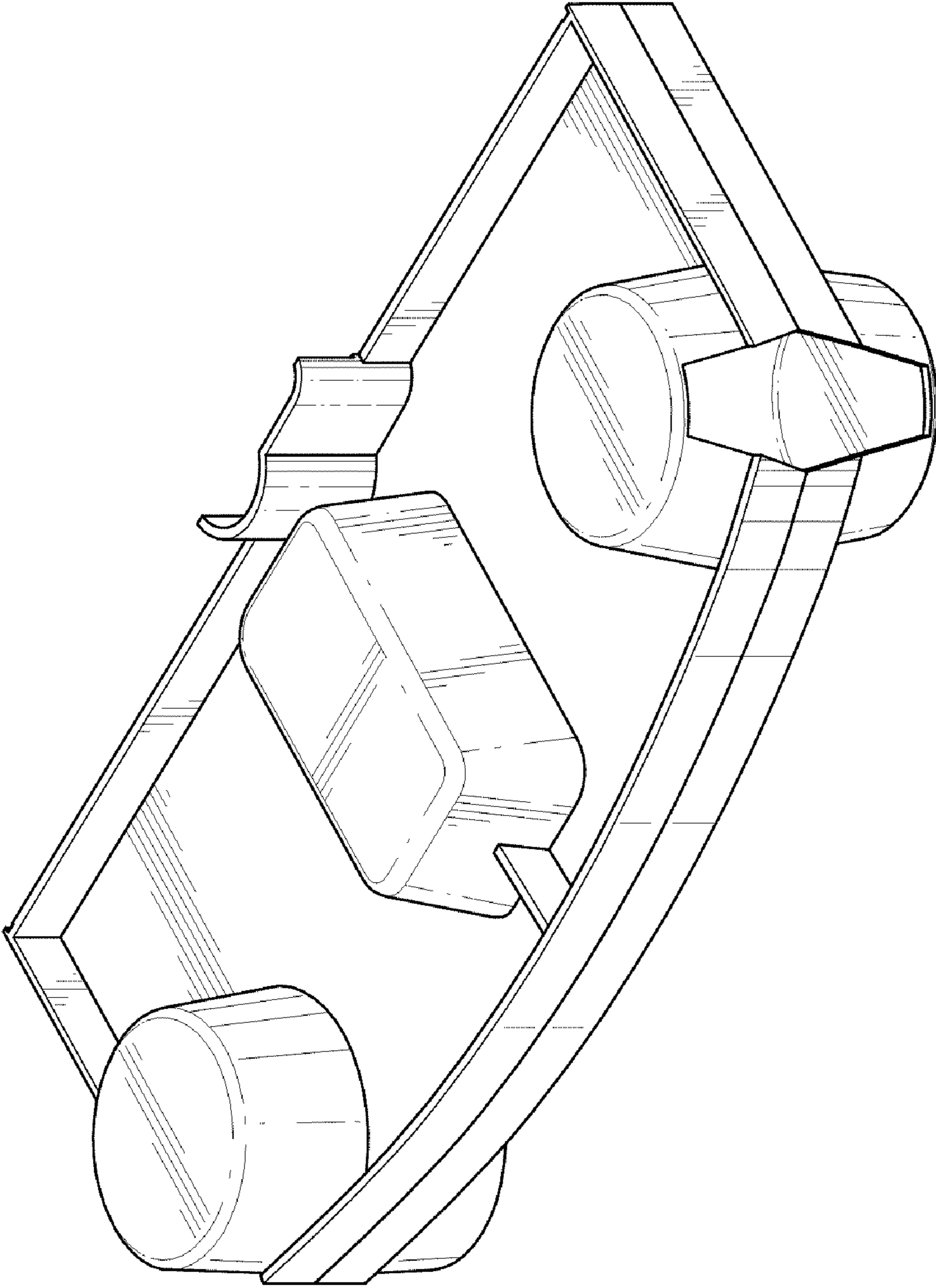


FIG. 8

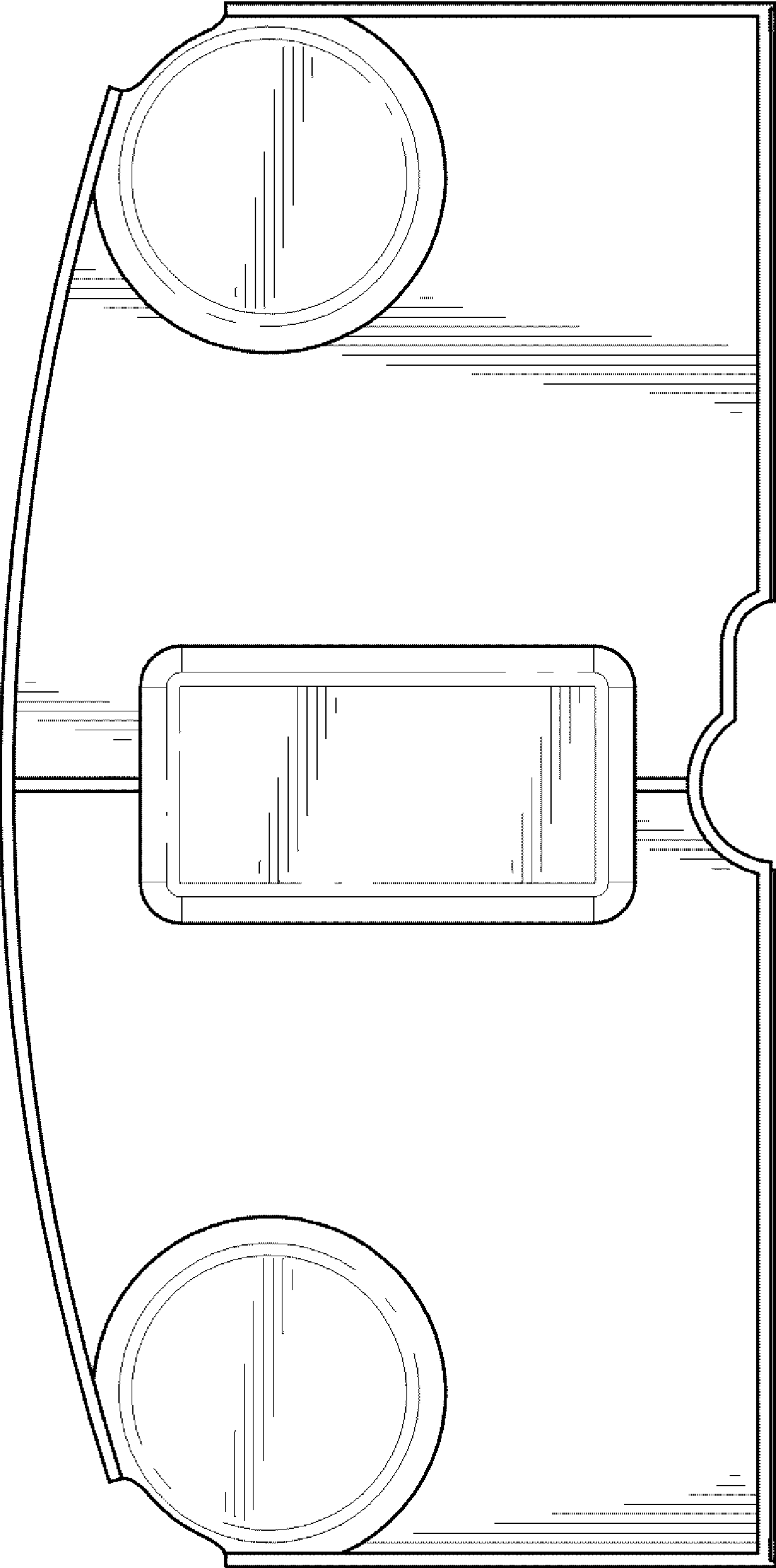


FIG. 9

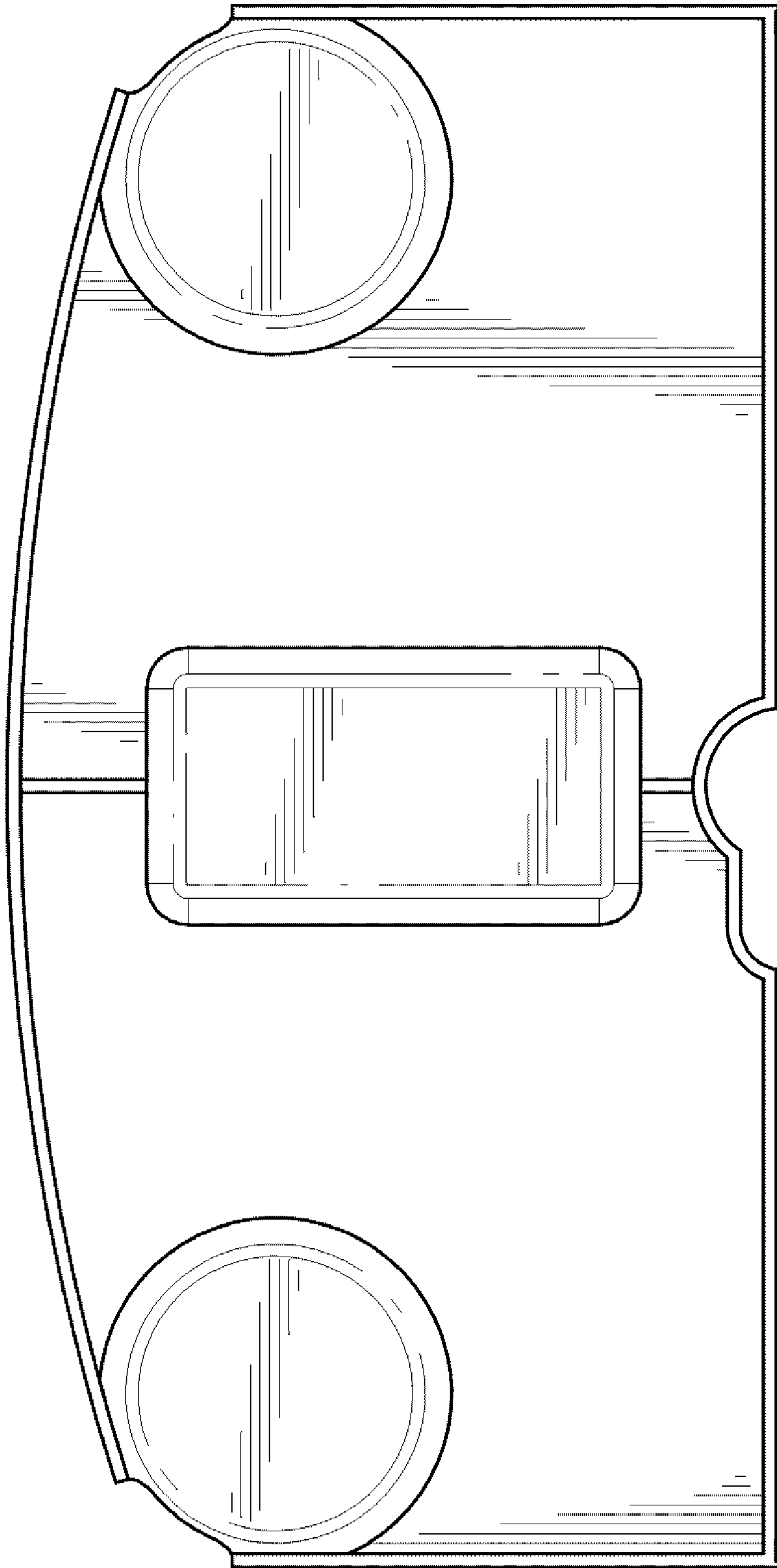


FIG. 10

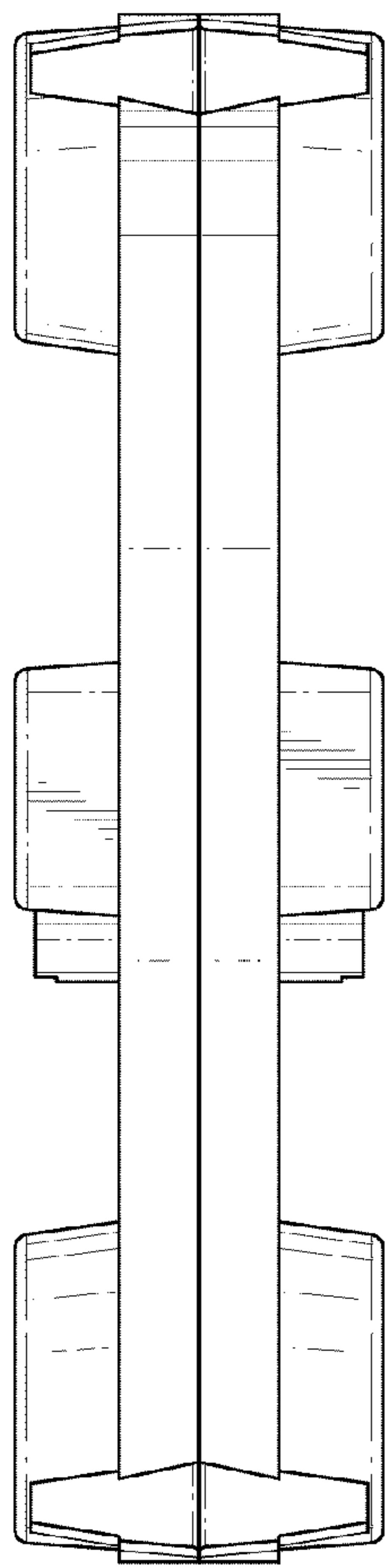


FIG. 11

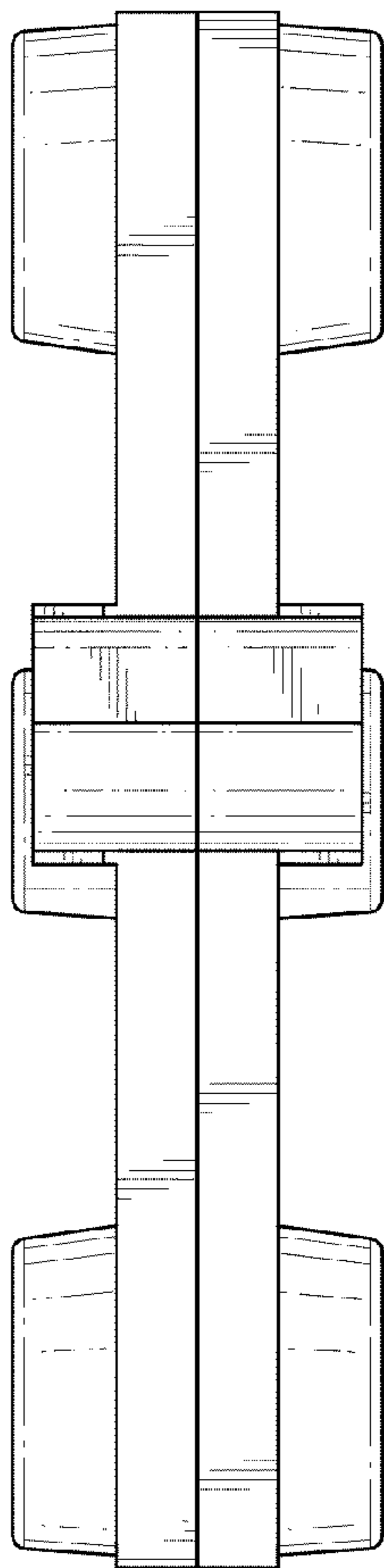


FIG. 12

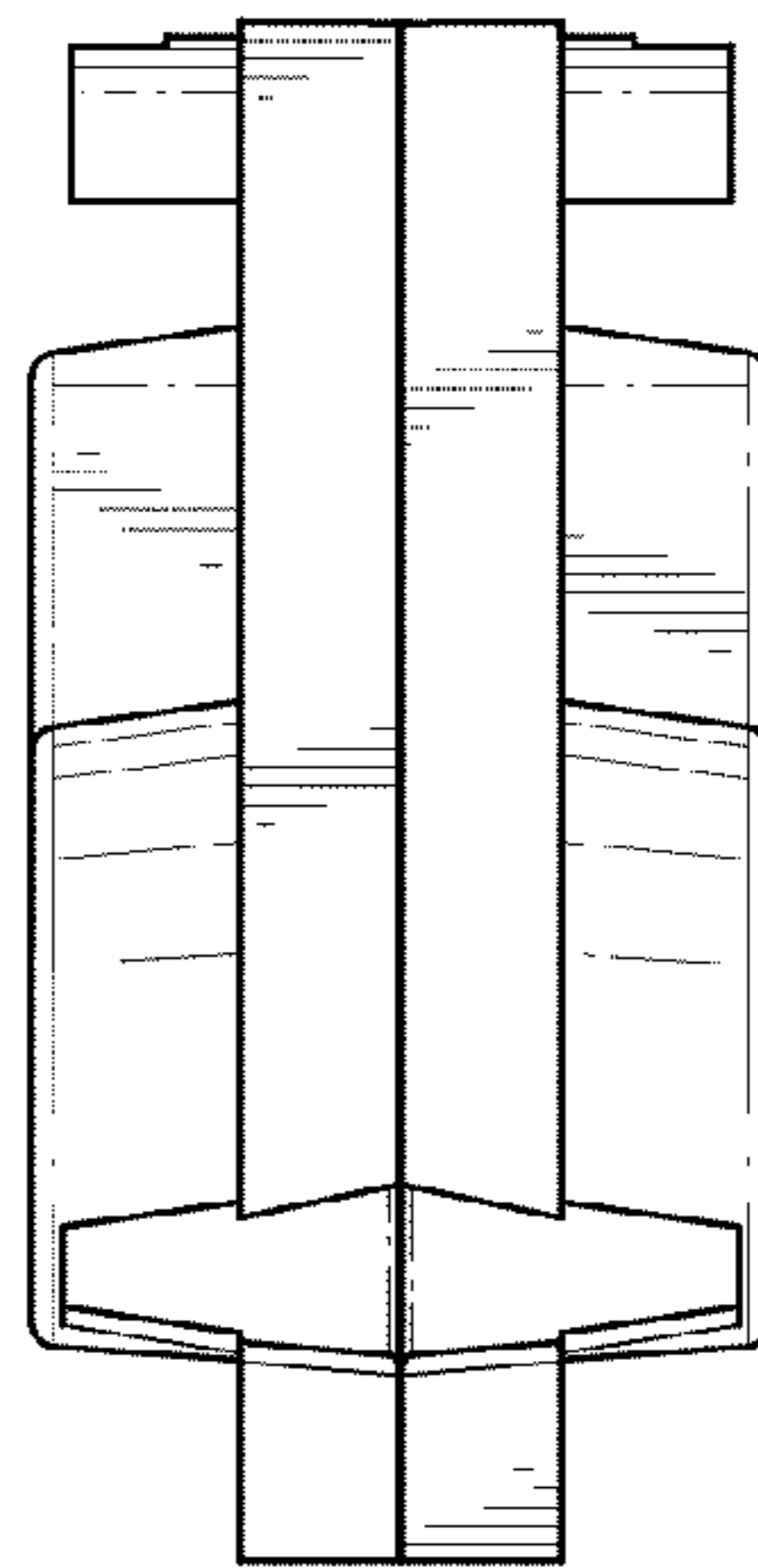


FIG. 13

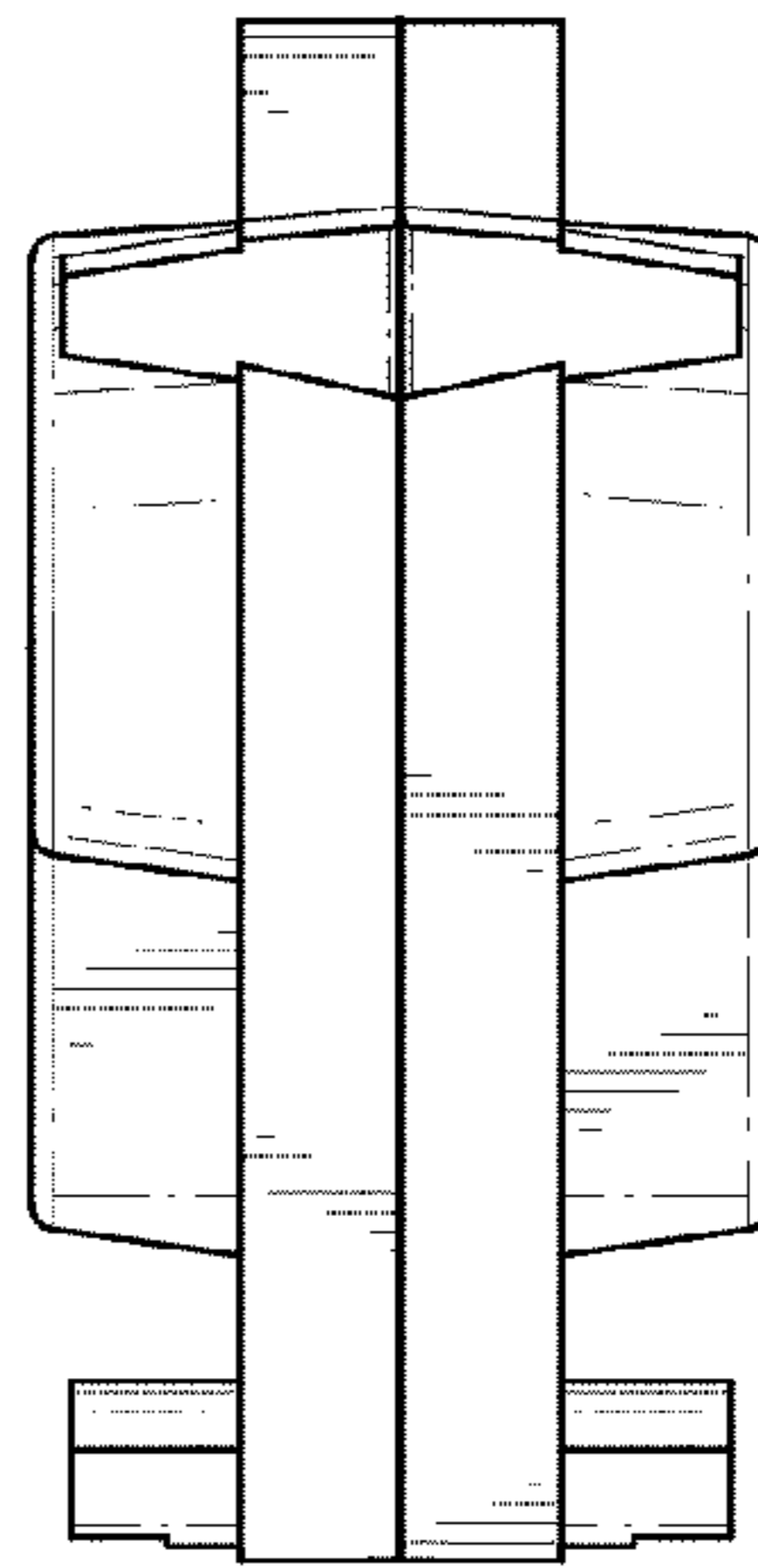


FIG. 14