



US00D653048S

(12) **United States Design Patent**
Barr et al.

(10) **Patent No.:** **US D653,048 S**
(45) **Date of Patent:** **** Jan. 31, 2012**

(54) **POT HOLDER**

(76) Inventors: **J. Gordon Barr**, Carolina, RI (US);
Carri J. Barr, Carolina, RI (US)

(**) Term: **14 Years**

(21) Appl. No.: **29/399,451**

(22) Filed: **Aug. 15, 2011**

(51) **LOC (9) Cl.** **11-02**

(52) **U.S. Cl.** **D6/403**

(58) **Field of Classification Search** D6/403-405,
D6/556-558; D8/1; D11/143-156, 164;
D19/77, 80, 81, 84; D25/100; D26/9-11,
D26/16, 19; D34/1, 2, 4-6; D99/5, 19; 47/17,
47/32.4, 32.5, 32.7, 33, 39, 41.01, 41.1, 41.11-41.15,
47/44-47, 63, 65.5, 65.9, 66.1, 66.2, 66.6,
47/66.7, 67-71

See application file for complete search history.

(56) **References Cited**

U.S. PATENT DOCUMENTS

D106,183	S	*	9/1937	Donchian	D11/143
D410,269	S	*	5/1999	Byrd	D8/1
D496,200	S	*	9/2004	Jackson et al.	D6/556
D506,160	S	*	6/2005	Lambert	D11/148
D625,650	S	*	10/2010	Simpson et al.	D11/147
D630,451	S	*	1/2011	Cute	D6/405
D642,822	S	*	8/2011	Cute	D6/405
2005/0034363	A1	*	2/2005	Warren	47/39

FOREIGN PATENT DOCUMENTS

GB 2083374 * 2/1999
GB 3020735 * 3/2005

* cited by examiner

Primary Examiner — Garth Rademaker

(74) *Attorney, Agent, or Firm* — Slater & Michaelson

(57) **CLAIM**

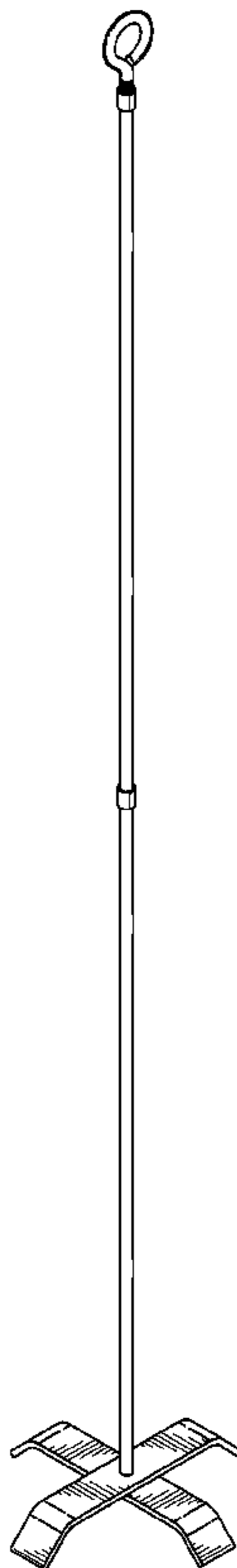
The ornamental design for a pot holder, as shown and described.

DESCRIPTION

FIG. 1 is a perspective view of a pot holder;
FIG. 2 is a front elevational view thereof;
FIG. 3 is a rear elevational view thereof;
FIG. 4 is a left side elevational view thereof;
FIG. 5 is a right side elevational view thereof;
FIG. 6 is a top plan view thereof;
FIG. 7 is a bottom plan view thereof;
FIG. 8 is an exploded perspective view thereof; and,
FIG. 9 is a perspective view thereof, shown in an environment of use.

The dash-dot-dash broken lines shown in FIG. 8 indicate how the separated pieces of the design assemble and form no part of the claimed design. The evenly-spaced broken lines shown in FIG. 9 depict environmental subject matter only and form no part of the claimed design.

1 Claim, 6 Drawing Sheets



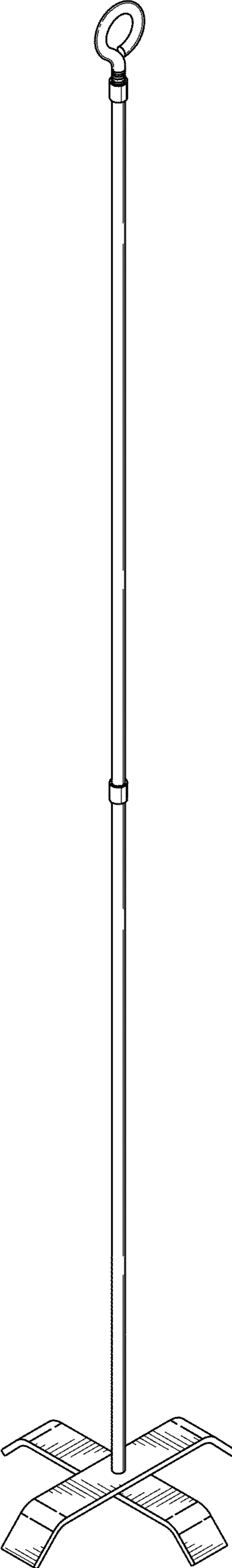


FIG. 1

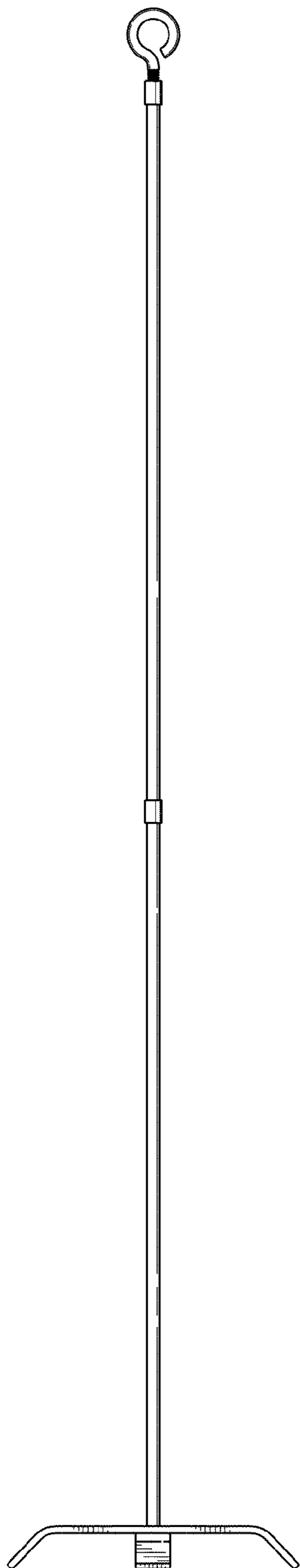


FIG. 2

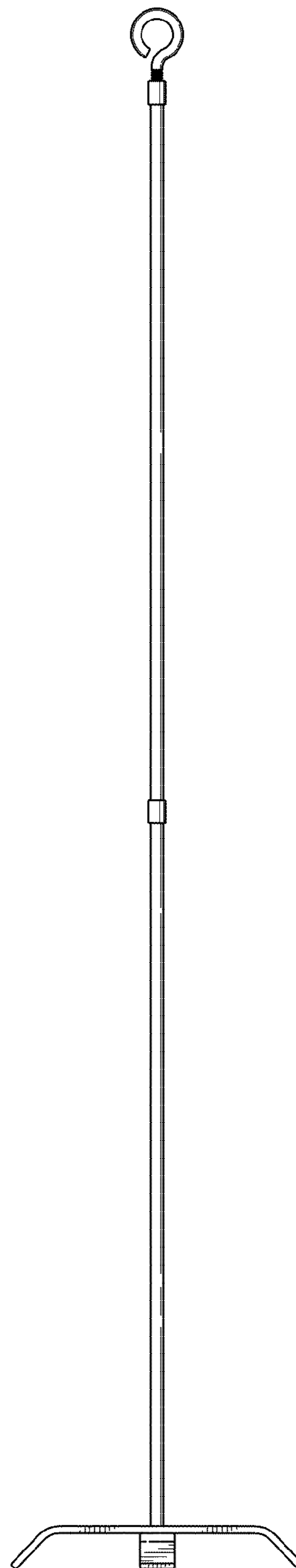


FIG. 3

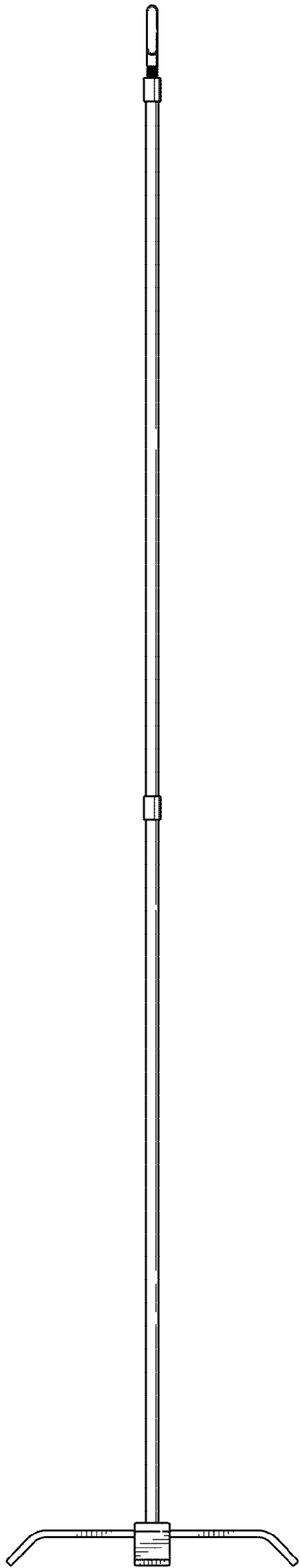


FIG. 4

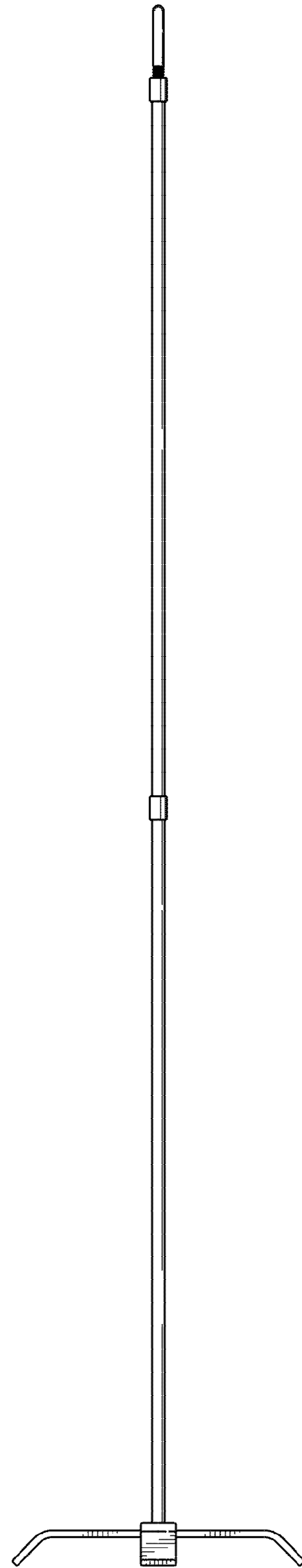


FIG. 5

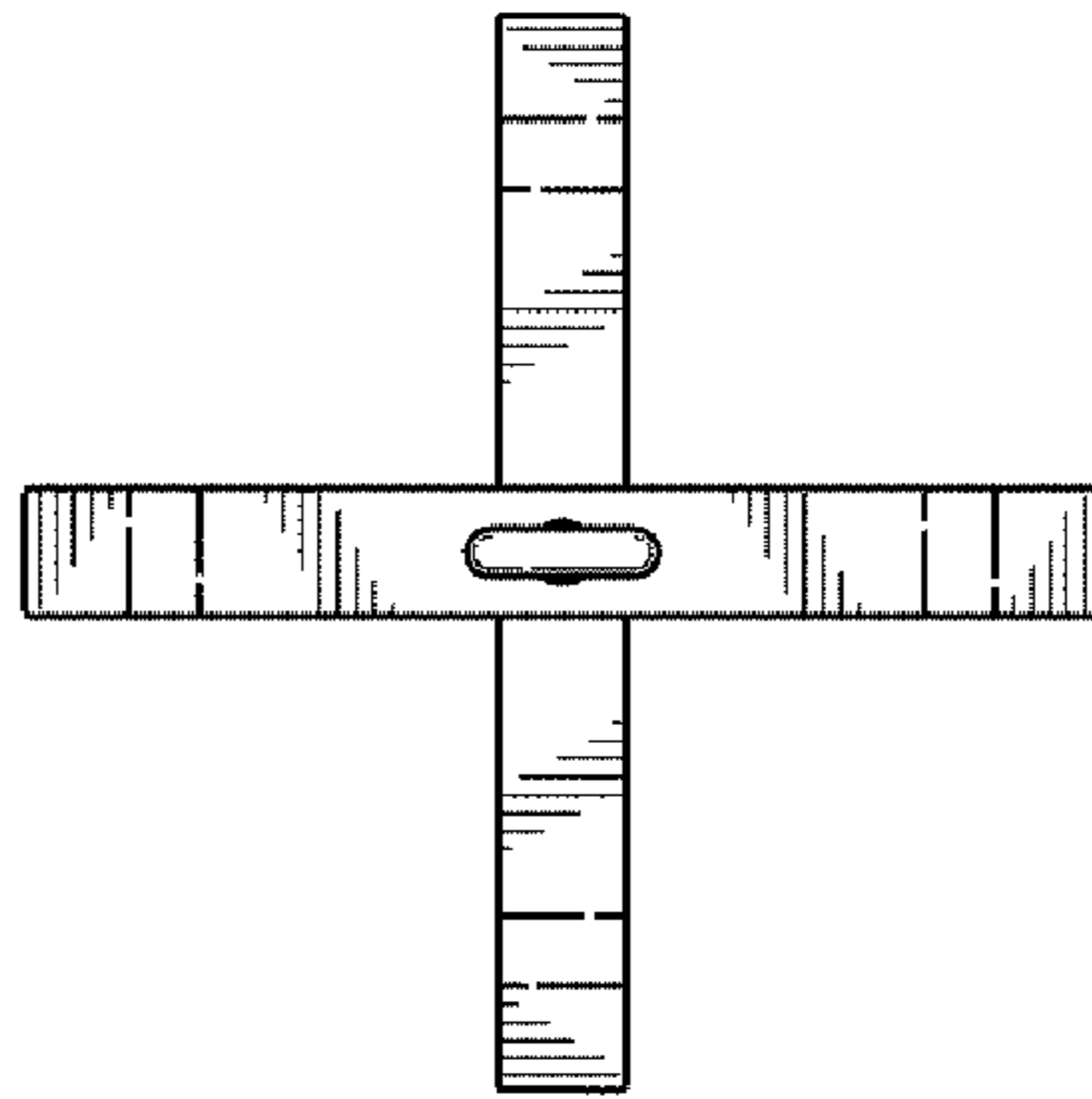


FIG. 6

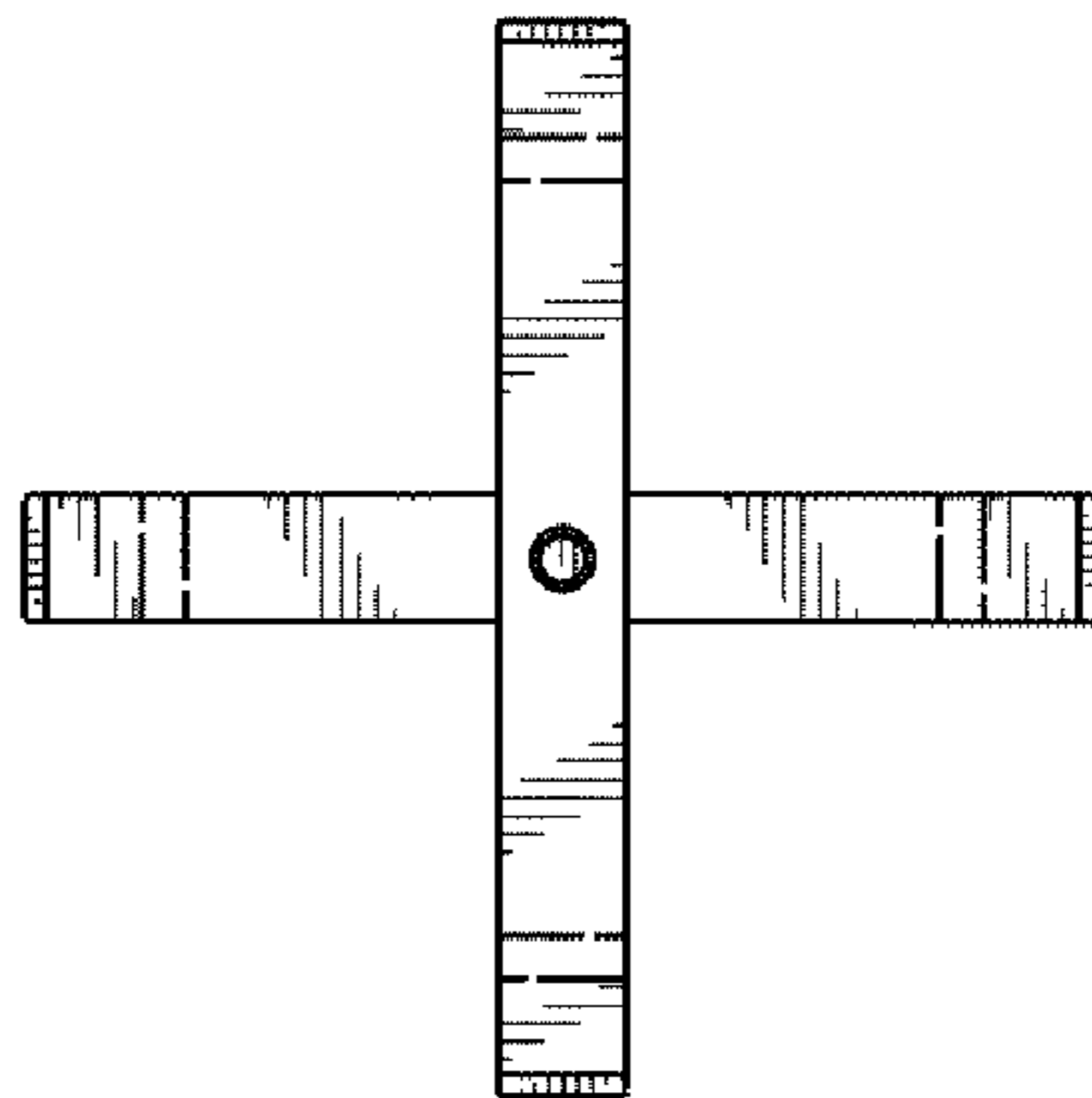


FIG. 7

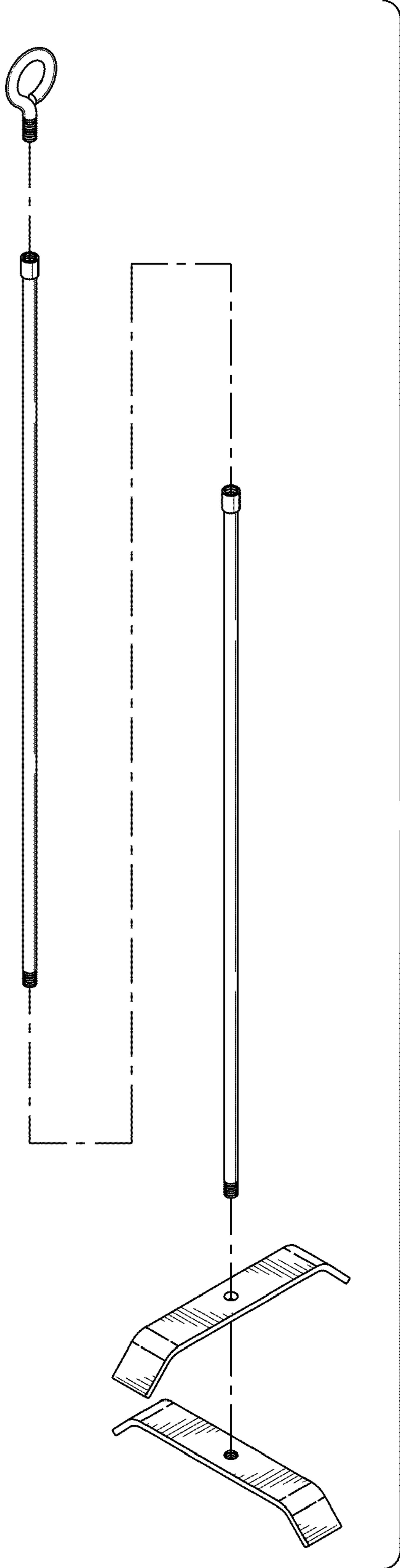


FIG. 8

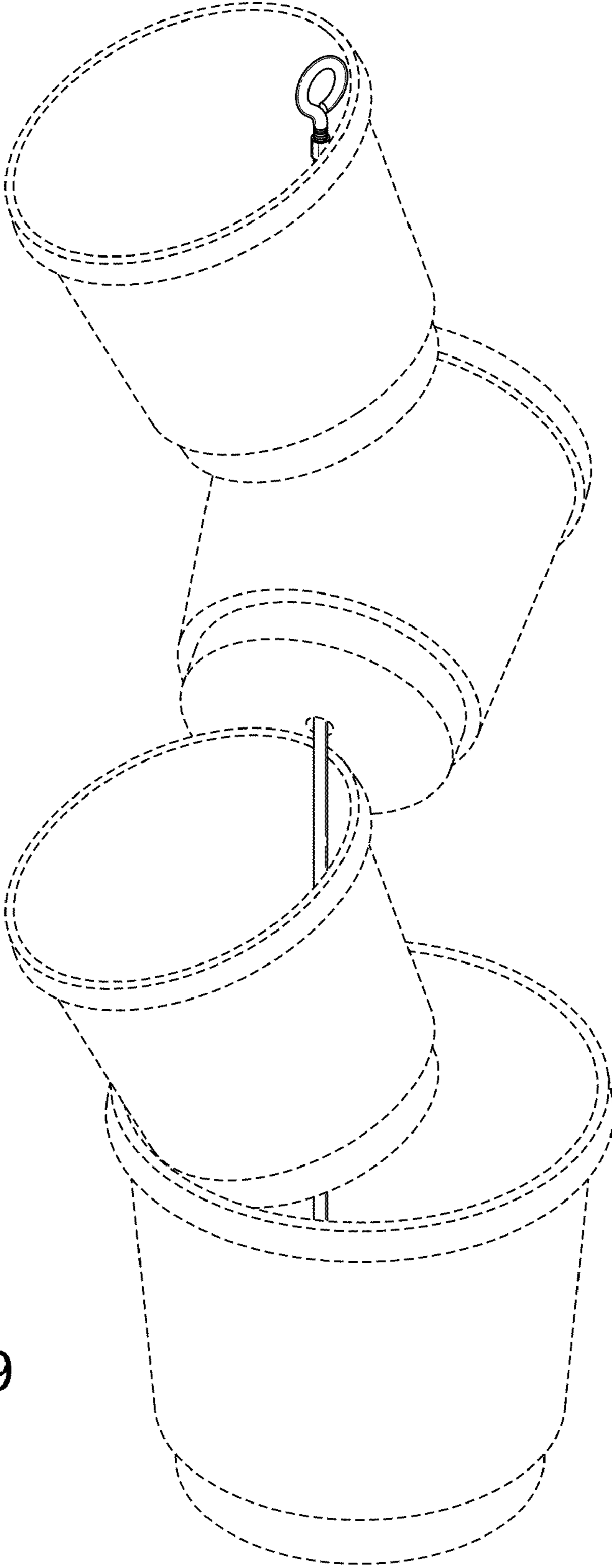


FIG. 9