



US00D653047S

(12) **United States Design Patent**
Tekulve

(10) **Patent No.:** **US D653,047 S**
(45) **Date of Patent:** **** Jan. 31, 2012**

- (54) **HEALTH CARE BED FRAME**
- (75) Inventor: **Daniel R. Tekulve**, Batesville, IN (US)
- (73) Assignee: **Med-Mizer, Inc.**, Batesville, IN (US)
- (**) Term: **14 Years**
- (21) Appl. No.: **29/359,608**
- (22) Filed: **Apr. 13, 2010**
- (51) **LOC (9) Cl.** **06-02**
- (52) **U.S. Cl.** **D6/382**
- (58) **Field of Classification Search** D6/382,
D6/383, 388, 393–395, 505–508, 503, 349,
D6/355, 361; 5/53.1, 907, 279.1, 280, 281,
5/191, 613, 611, 617.618, 186.1
See application file for complete search history.

(56) **References Cited**

U.S. PATENT DOCUMENTS

D371,467	S *	7/1996	Biefnot et al.	D6/392
D437,143	S *	2/2001	Sommerfeld	D6/382
6,578,216	B1 *	6/2003	Aarestad	5/618
7,478,447	B2 *	1/2009	Wilming et al.	5/618
D616,666	S *	6/2010	Rizzardo	D6/392
2005/0091747	A1 *	5/2005	Freeborn et al.	5/611
2006/0253983	A1 *	11/2006	Falabrino	5/618

OTHER PUBLICATIONS

Med-Mizer Retractable brochure, published 2007, 2 pages.

* cited by examiner

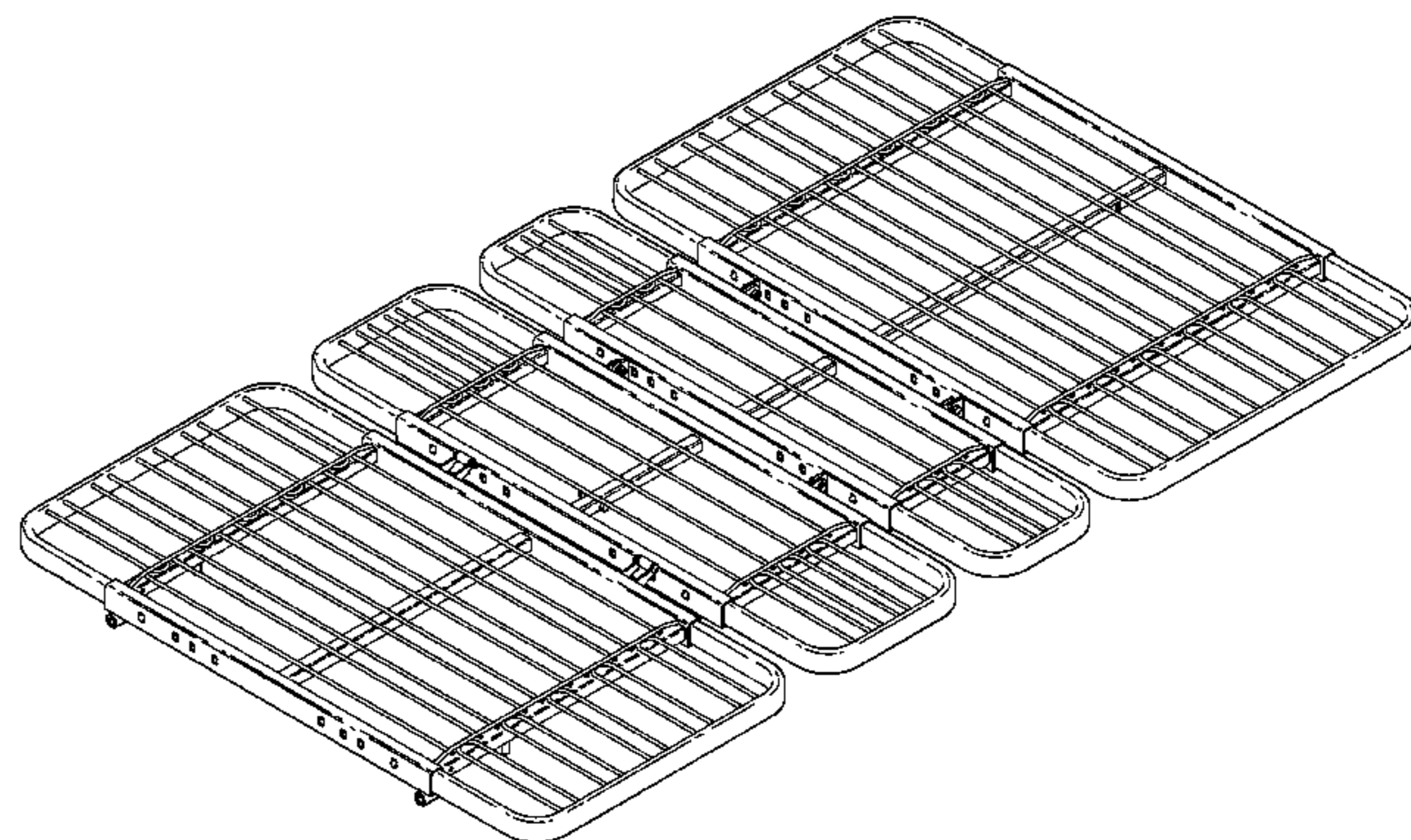
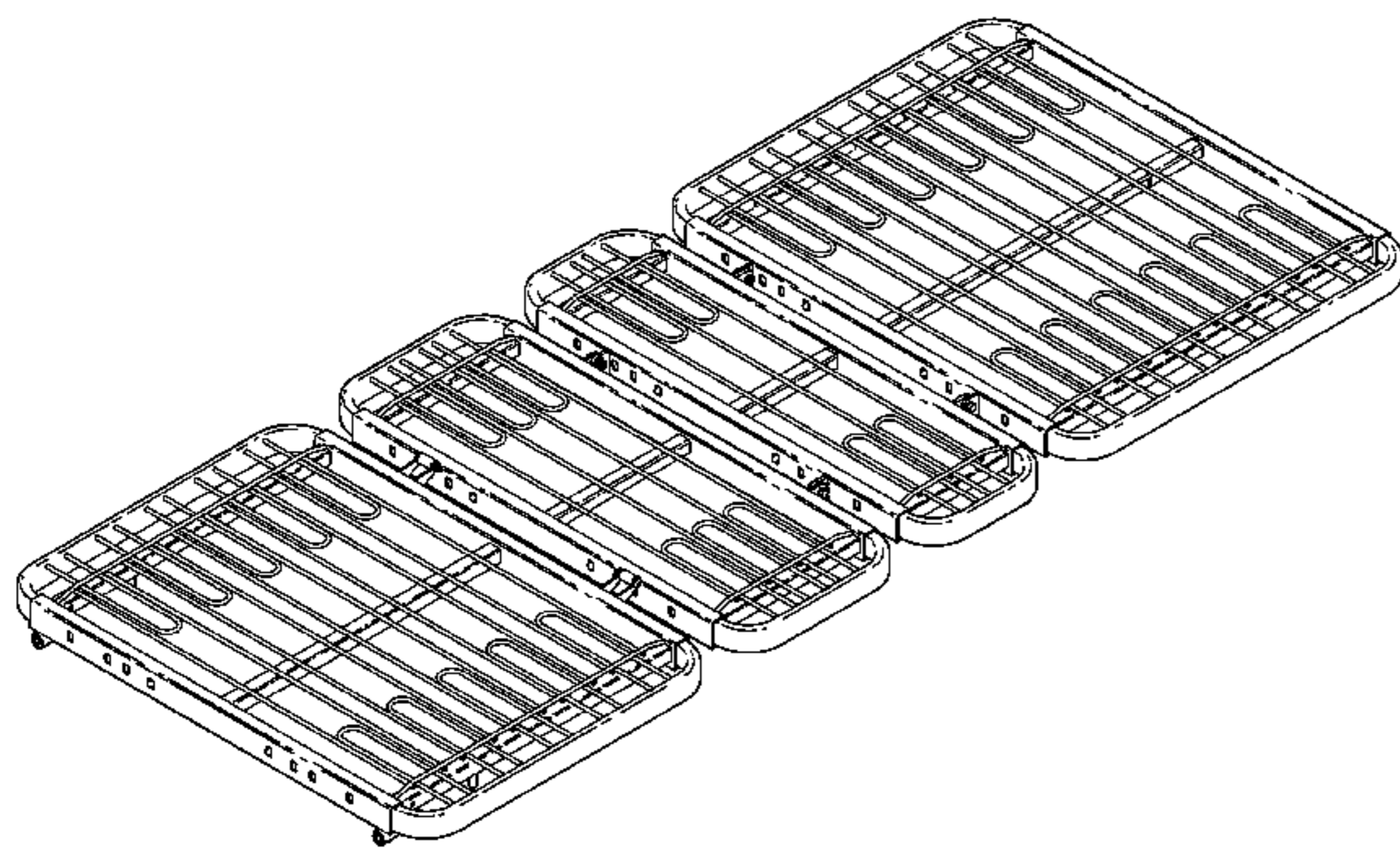
Primary Examiner — Janice Seeger
(74) *Attorney, Agent, or Firm* — R. Randall Frisk

(57) **CLAIM**
The ornamental design for a health care bed frame, as shown and described.

DESCRIPTION

FIG. 1 is a perspective view of a health care bed with the side frames retracted.
 FIG. 2 is a left side view of the health care bed of FIG. 1.
 FIG. 3 is a right side view of the health care bed of FIG. 1.
 FIG. 4 is a top view of the health care bed of FIG. 1.
 FIG. 5 is a head end view of the health care bed of FIG. 1.
 FIG. 6 is a foot end view of the health care bed of FIG. 1.
 FIG. 7 is a bottom view of the health care bed of FIG. 1.
 FIG. 8 is a perspective view of the health care bed of FIG. 1 with the side frames extended.
 FIG. 9 is a left side view of the health care bed of FIG. 8.
 FIG. 10 is a right side view of the health care bed of FIG. 8.
 FIG. 11 is a top view of the health care bed of FIG. 8.
 FIG. 12 is a head end view of the health care bed of FIG. 8.
 FIG. 13 is the foot end view of the health care bed of FIG. 8; and,
 FIG. 14 is the bottom view of the health care bed of FIG. 8.

1 Claim, 10 Drawing Sheets



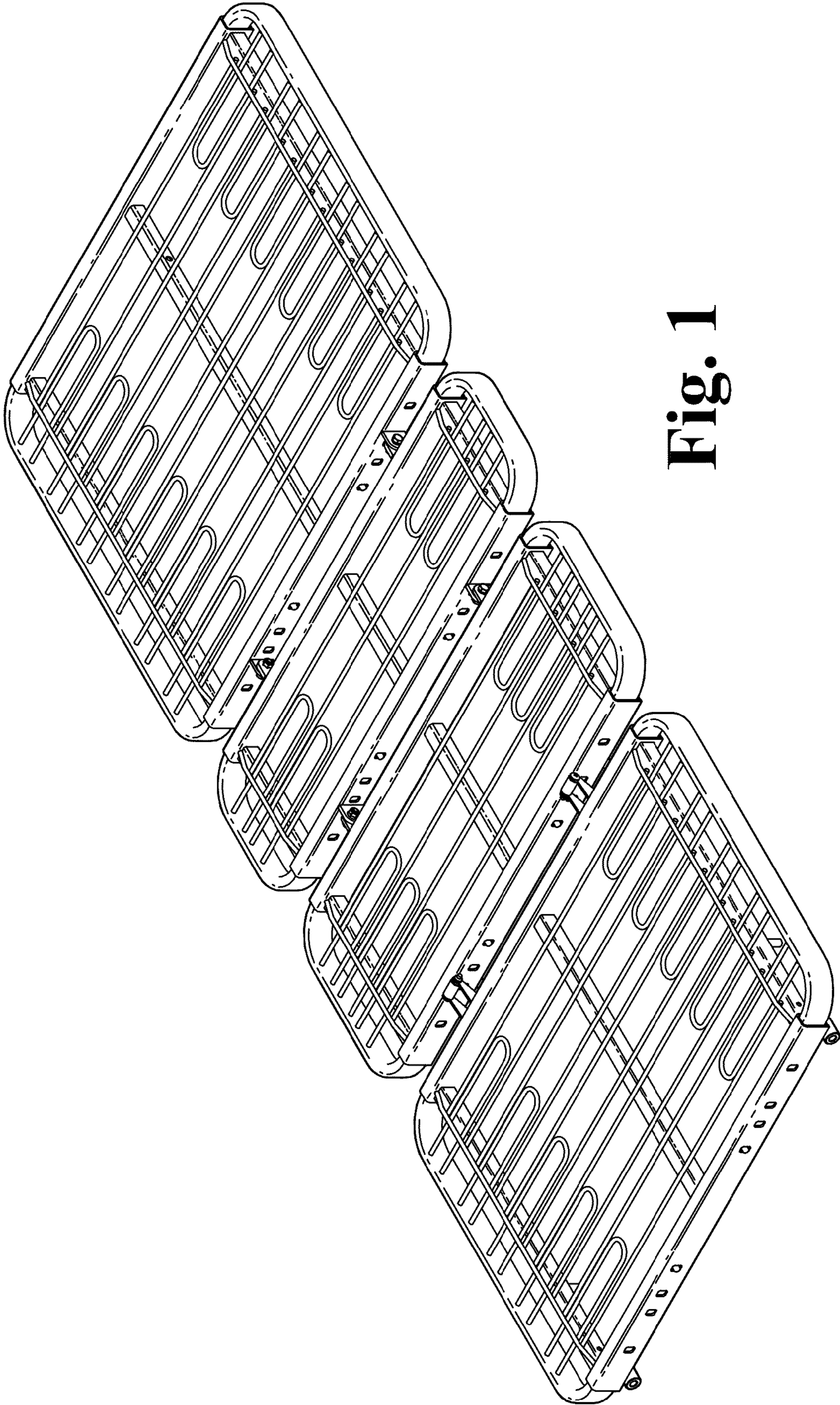


Fig. 1

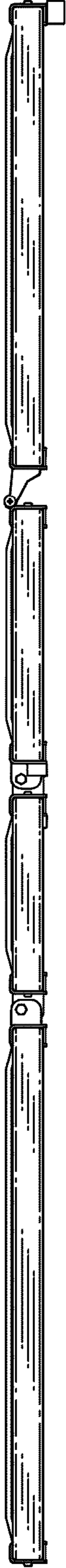


Fig. 2

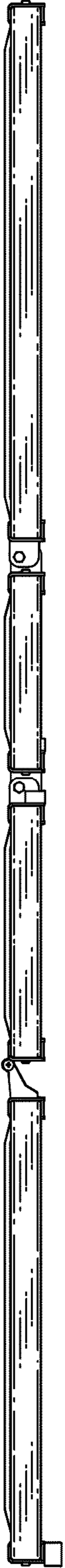


Fig. 3

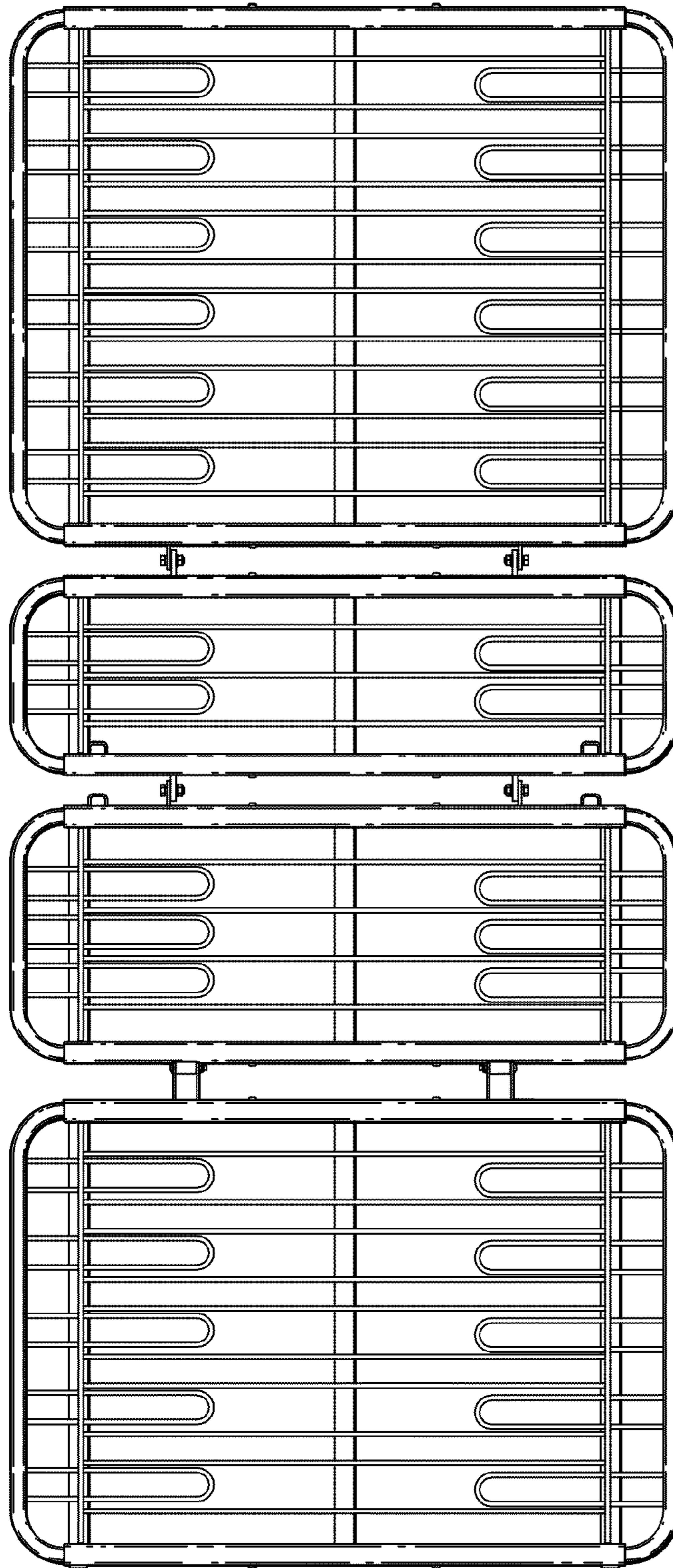


Fig. 4

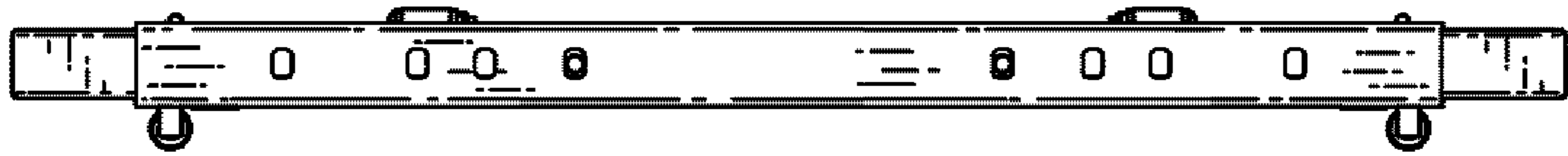


Fig. 5



Fig. 6

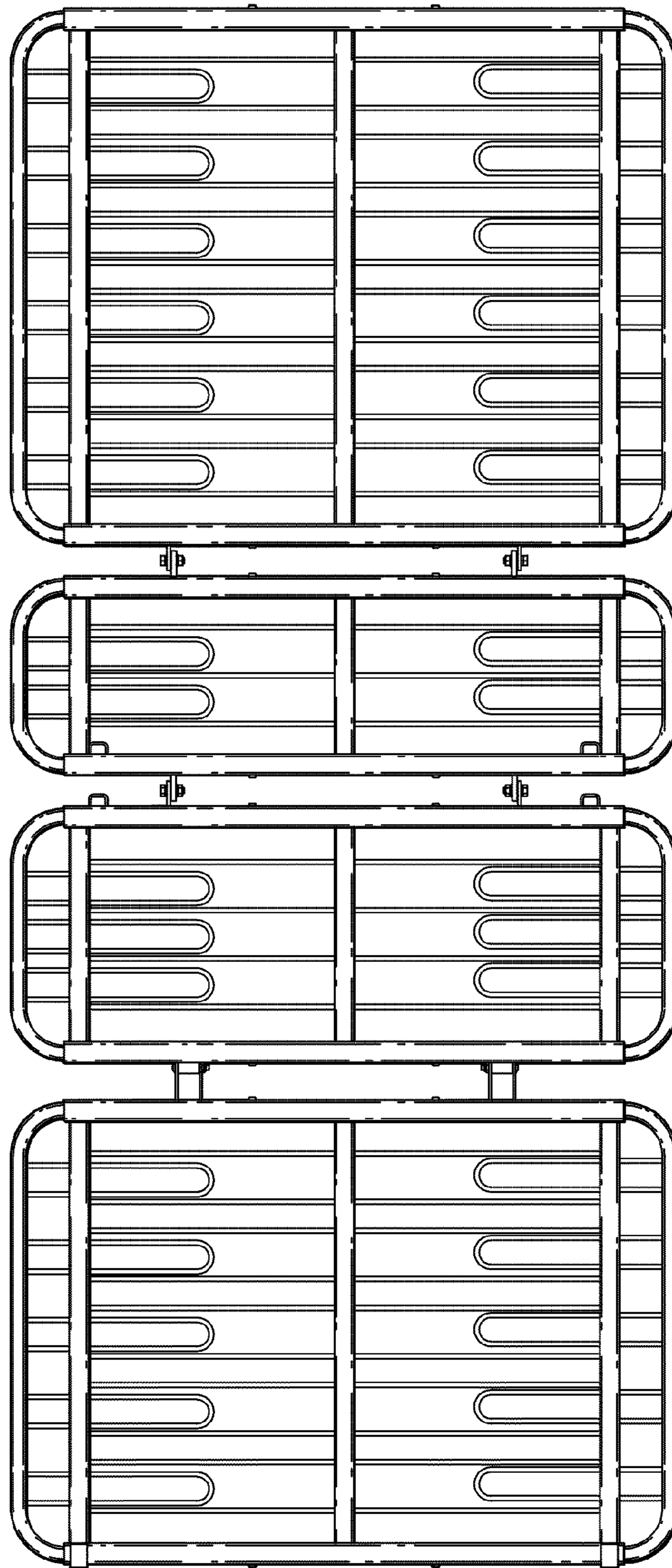


Fig. 7

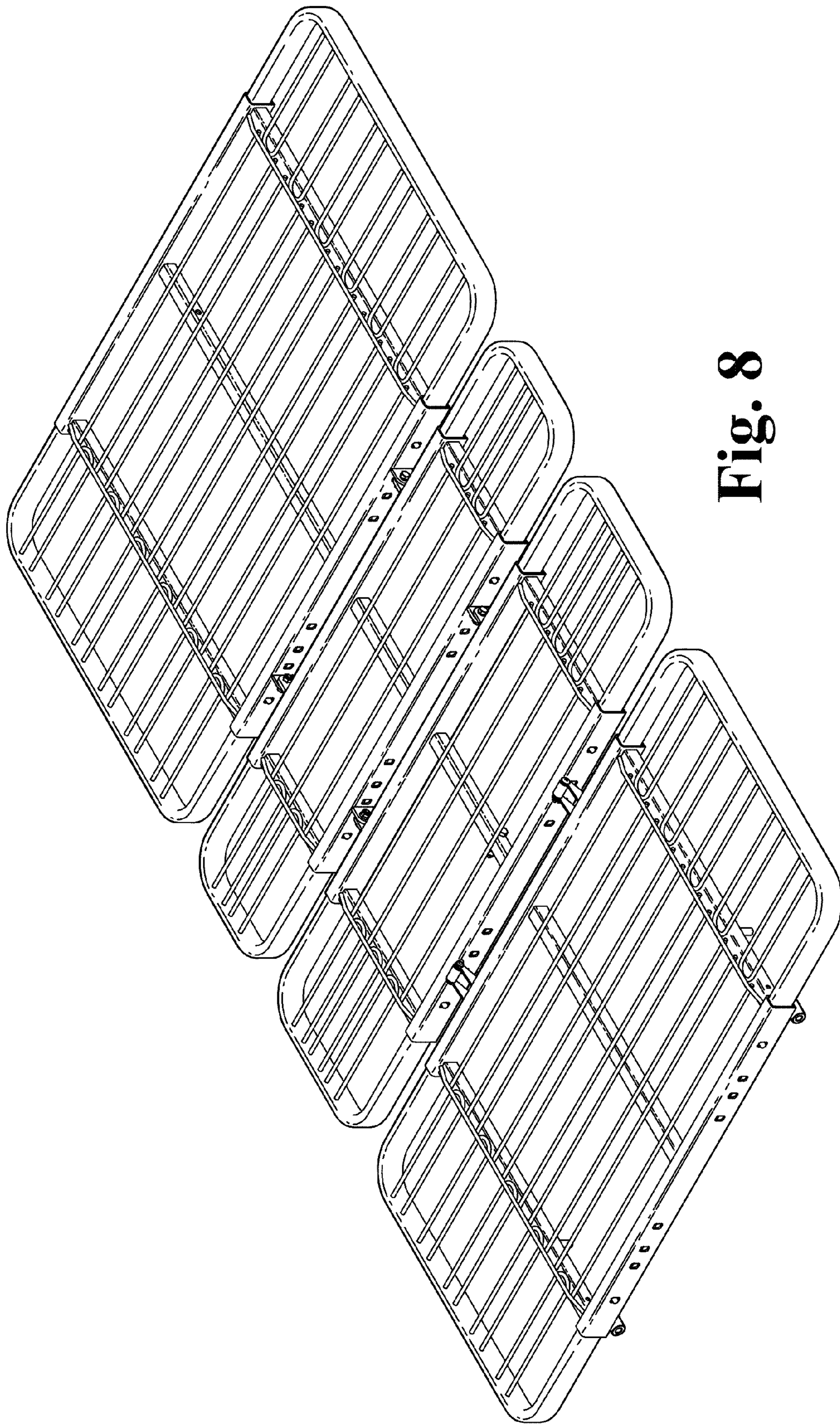


Fig. 8

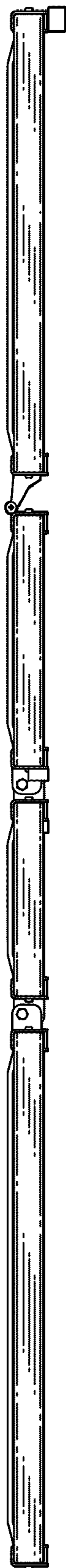


Fig. 9

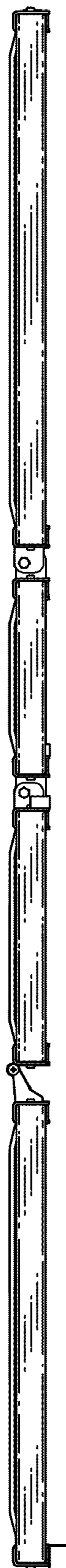


Fig. 10

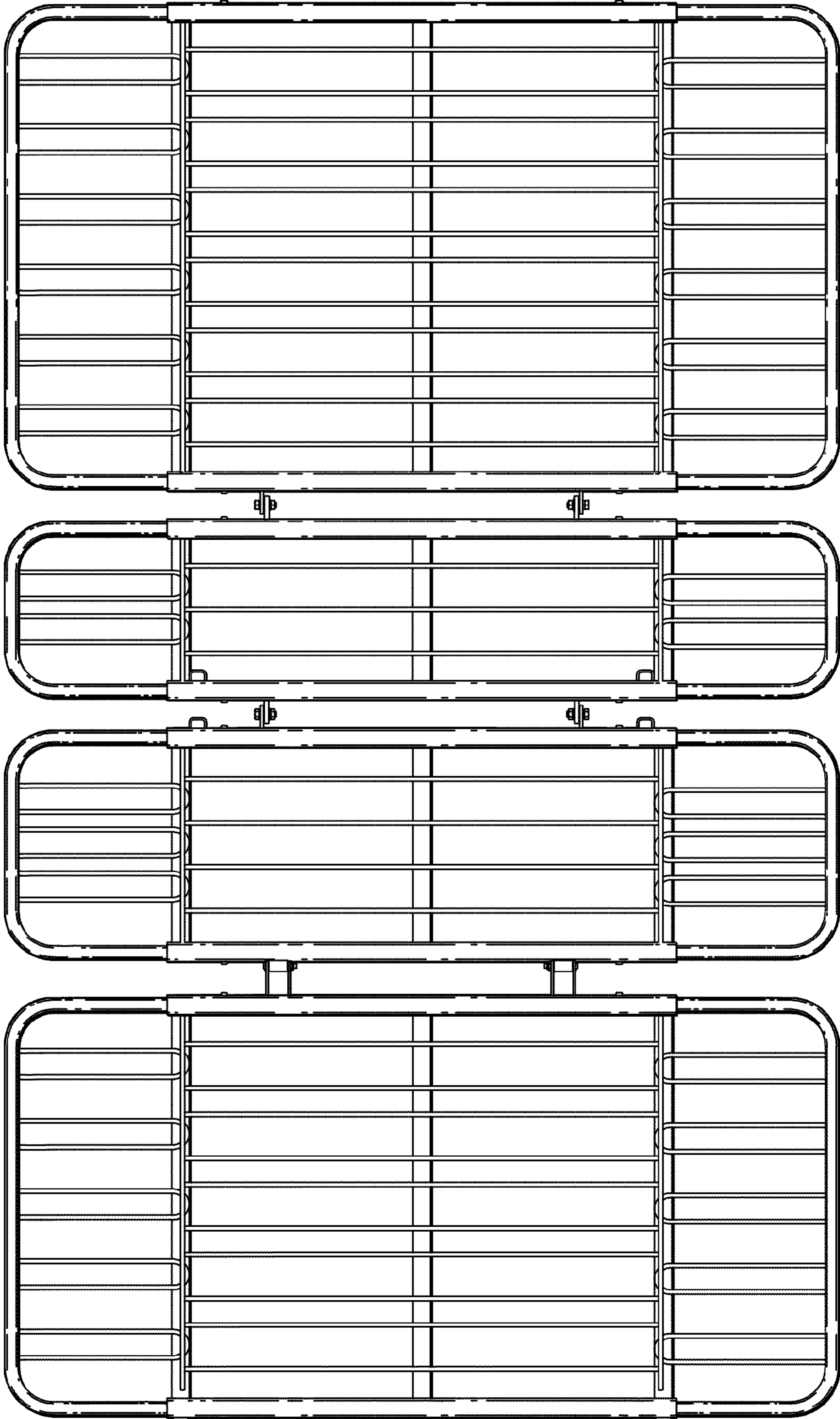


Fig. 11

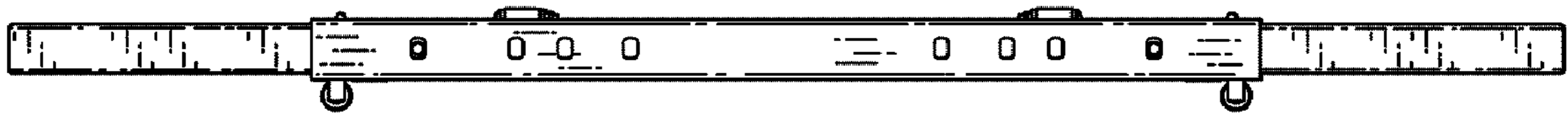


Fig. 12

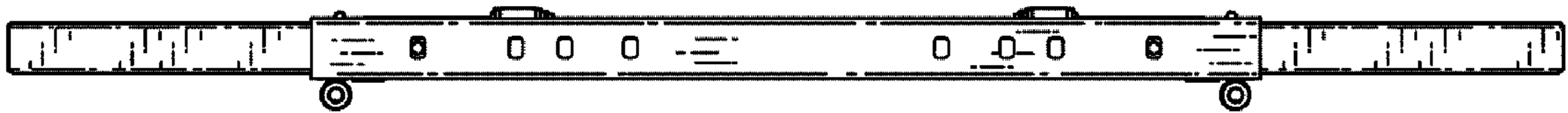


Fig. 13

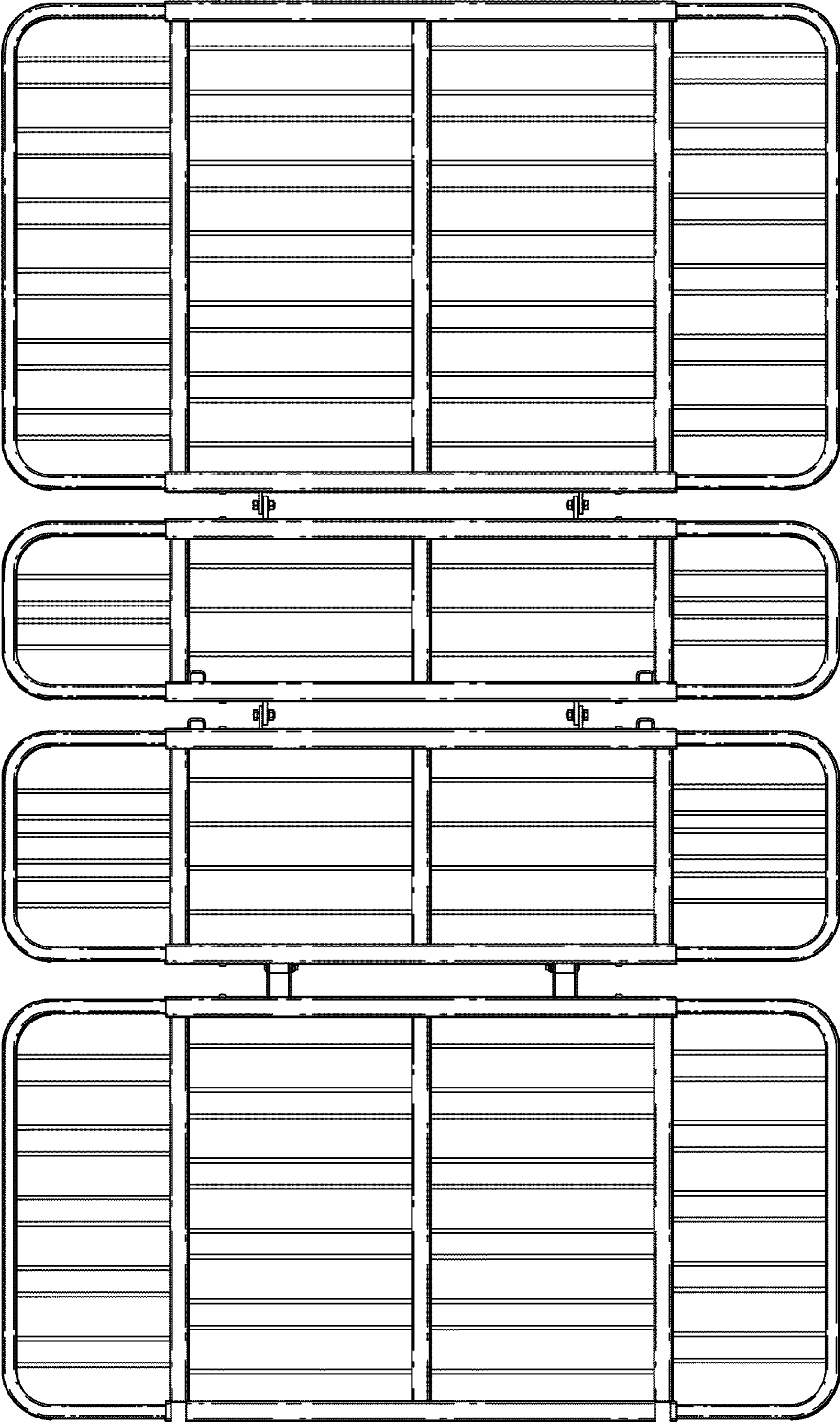


Fig. 14