



US00D653046S

(12) **United States Design Patent**
Saez

(10) **Patent No.:** **US D653,046 S**
(45) **Date of Patent:** **** Jan. 31, 2012**

(54) **CHAIR**

(75) Inventor: **Manuel Saez**, Buenos Aires (AR)

(73) Assignee: **Interieur Forma S.A.**, Buenos Aires (AR)

(**) Term: **14 Years**

(21) Appl. No.: **29/381,909**

(22) Filed: **Dec. 26, 2010**

(30) **Foreign Application Priority Data**

Jun. 28, 2010 (AR) 81004

(51) **LOC (9) Cl.** **06-01**

(52) **U.S. Cl.** **D6/366**

(58) **Field of Classification Search** D6/366,
D6/364-365, 374-375, 367-368, 334-336,
D6/379, 498, 501-502; 297/284.4, 452.3,
297/452.13, 452.19, 452.21, 452.29, 452.32,
297/452.35, 452.48, 452.56, 452.64, 411.2,
297/411.24, 411.27, 451.1, 463.1

See application file for complete search history.

(56) **References Cited**

U.S. PATENT DOCUMENTS

D563,687	S	*	3/2008	Neil	D6/366
D569,635	S	*	5/2008	Wagner	D6/366
D596,418	S	*	7/2009	Ueda	D6/366
D597,329	S	*	8/2009	Tanaka et al.	D6/366
D610,824	S	*	3/2010	Piretti	D6/366
D627,174	S	*	11/2010	Romero	D6/366
D640,478	S	*	6/2011	Neil	D6/366
D641,983	S	*	7/2011	Hazzard	D6/366

* cited by examiner

Primary Examiner — Caron D Veynar

Assistant Examiner — Abraham Bahta

(74) *Attorney, Agent, or Firm* — Volpe and Koenig, P.C.

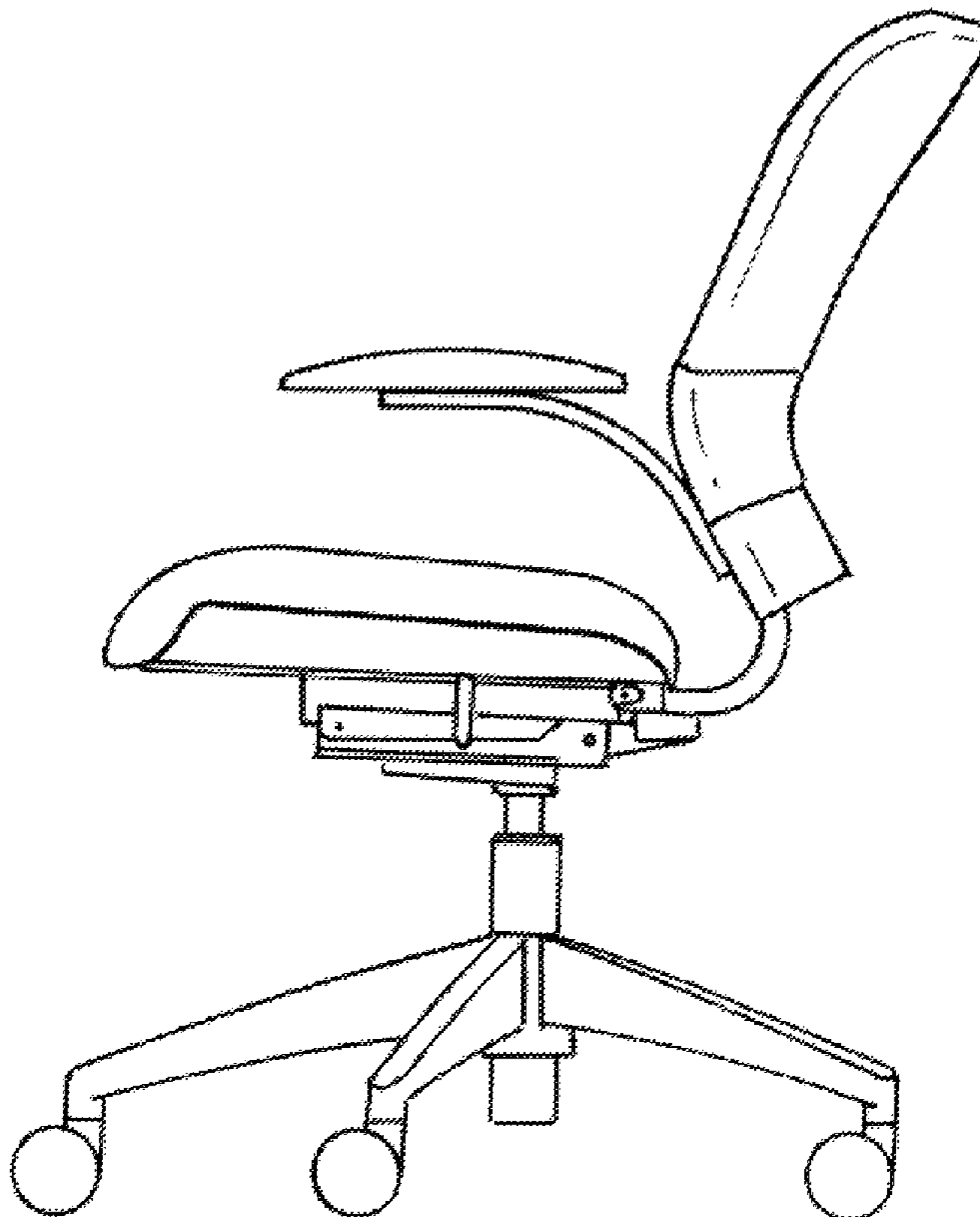
(57) **CLAIM**

The ornamental design for chair, as shown and described.

DESCRIPTION

FIG. 1 is a left side elevation view of the chair showing my new design;
FIG. 2 is a right side elevation view thereof;
FIG. 3 is a front view thereof;
FIG. 4 is a rear view thereof;
FIG. 5 is a top plan view thereof; and,
FIG. 6 is a bottom plan view thereof.
The broken line showing of portions of the chair is included for the purpose of illustrating environmental structure and forms no part of the claimed design.

1 Claim, 3 Drawing Sheets



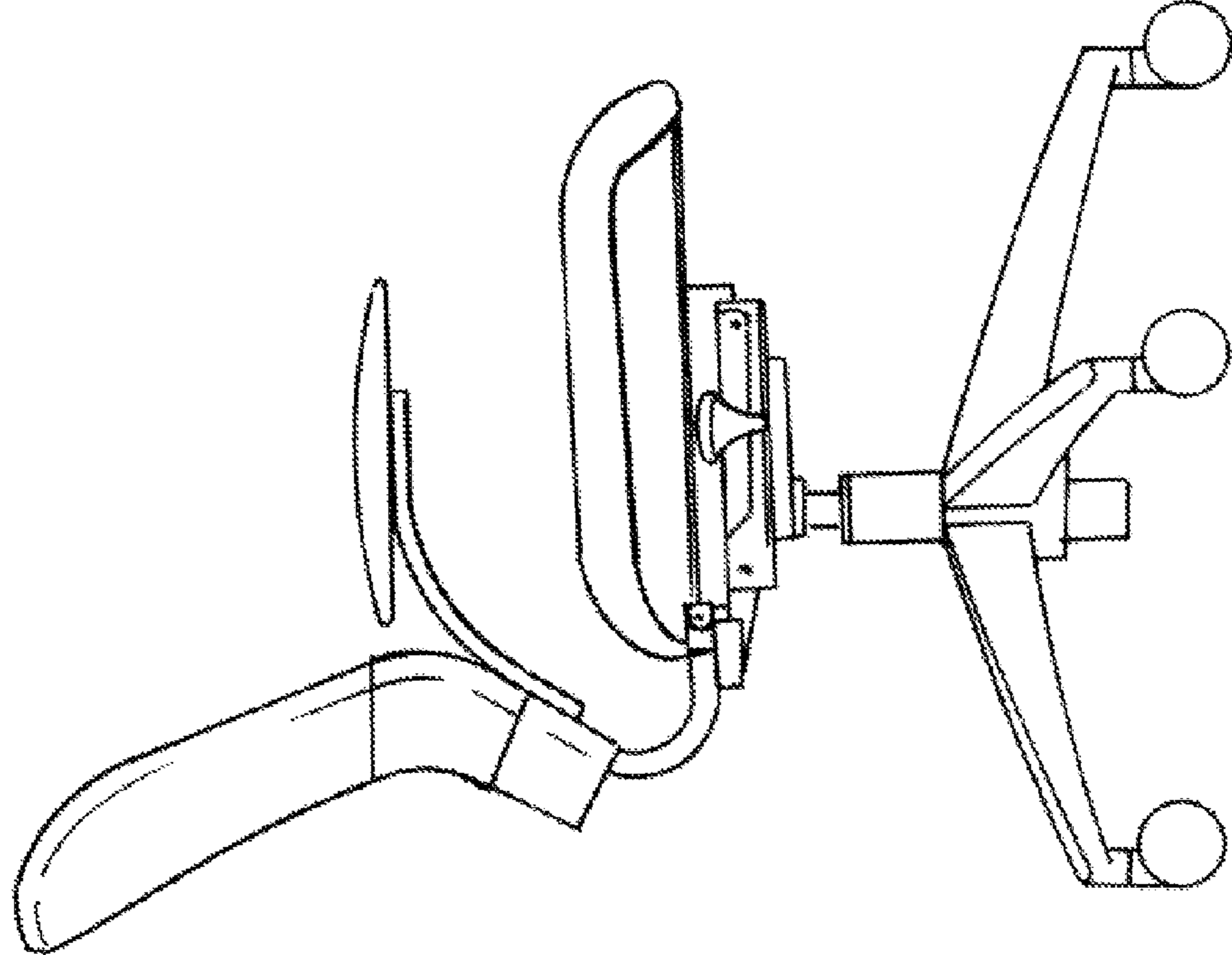


FIG. 2

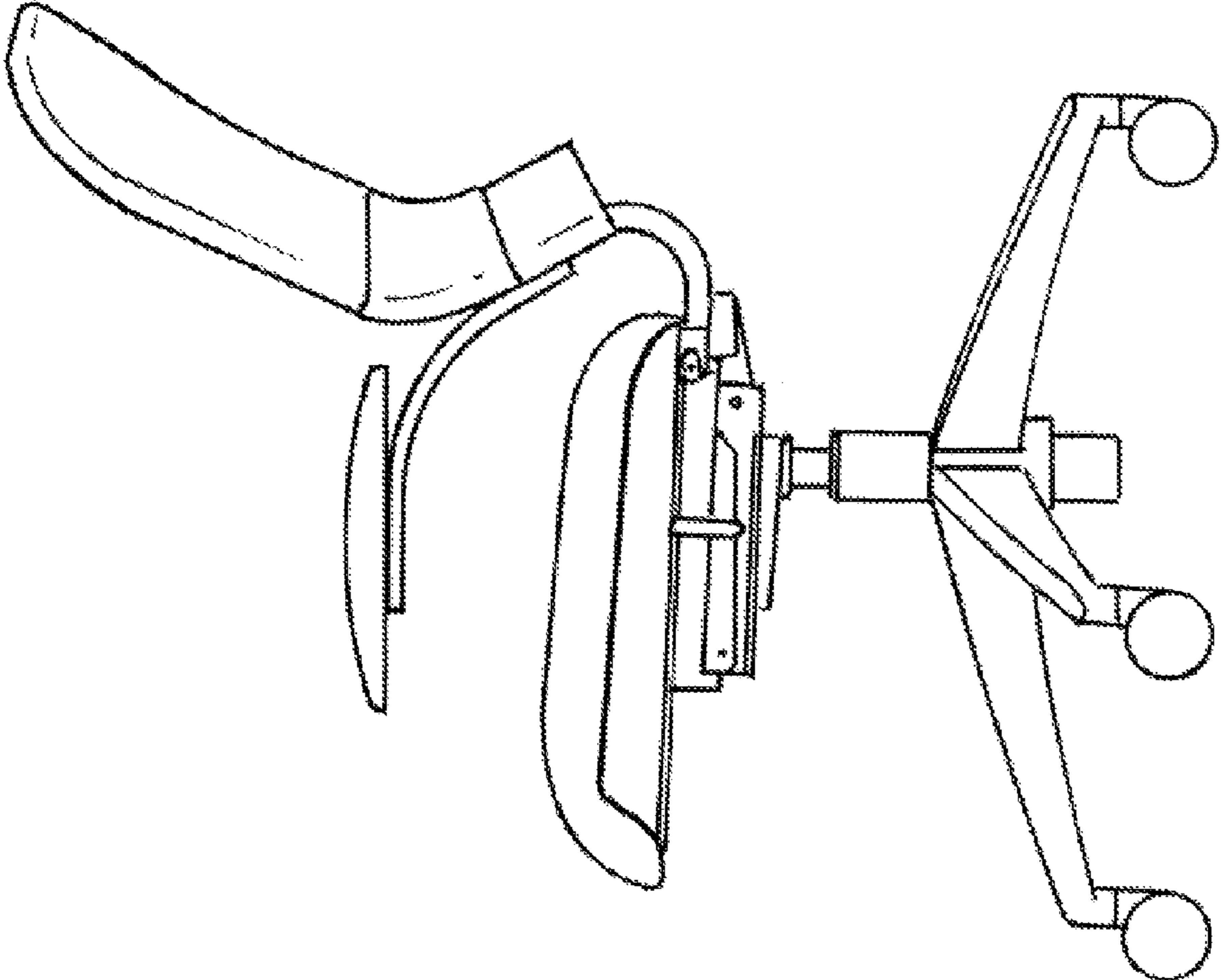


FIG. 1

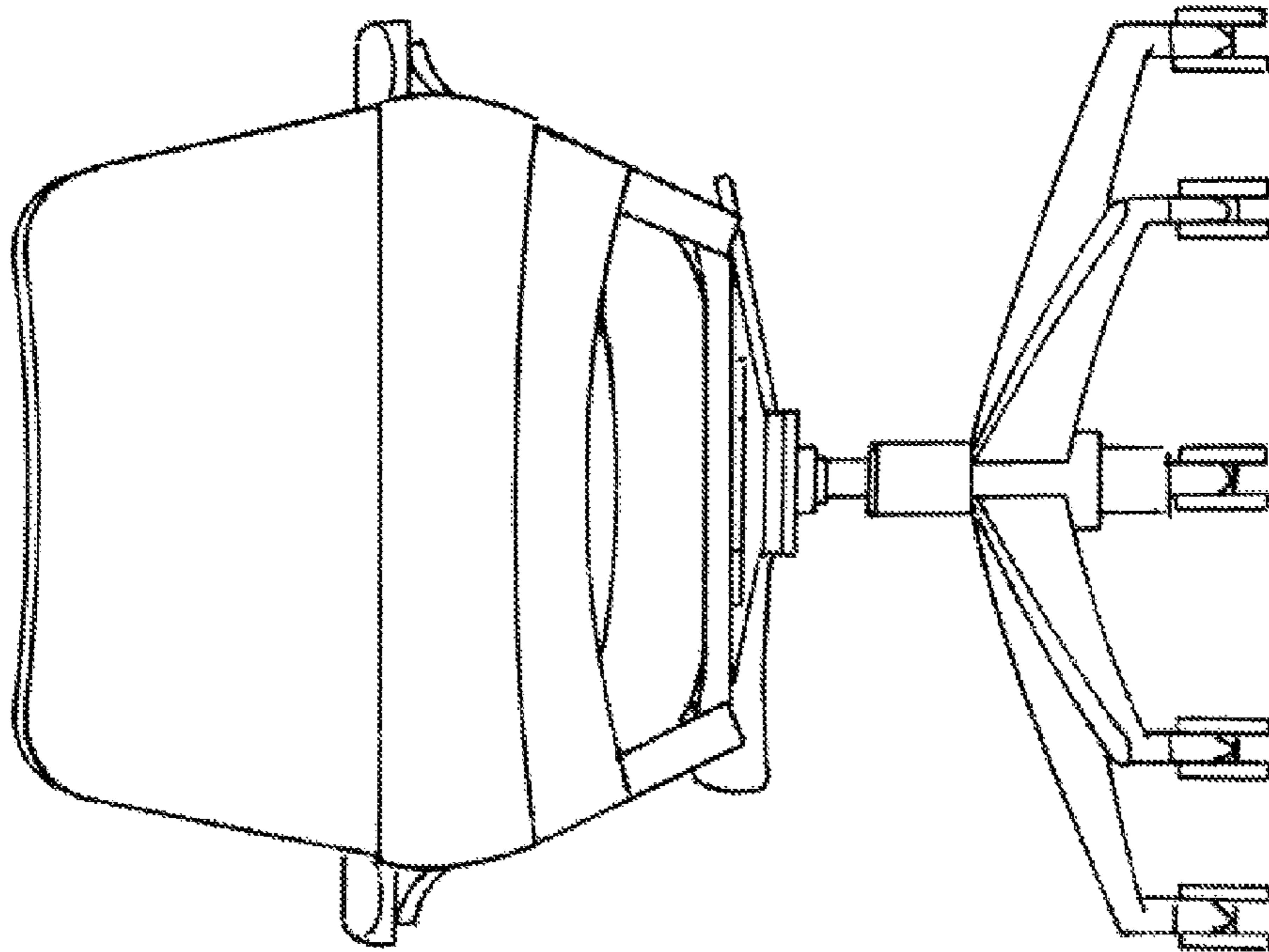


FIG. 4

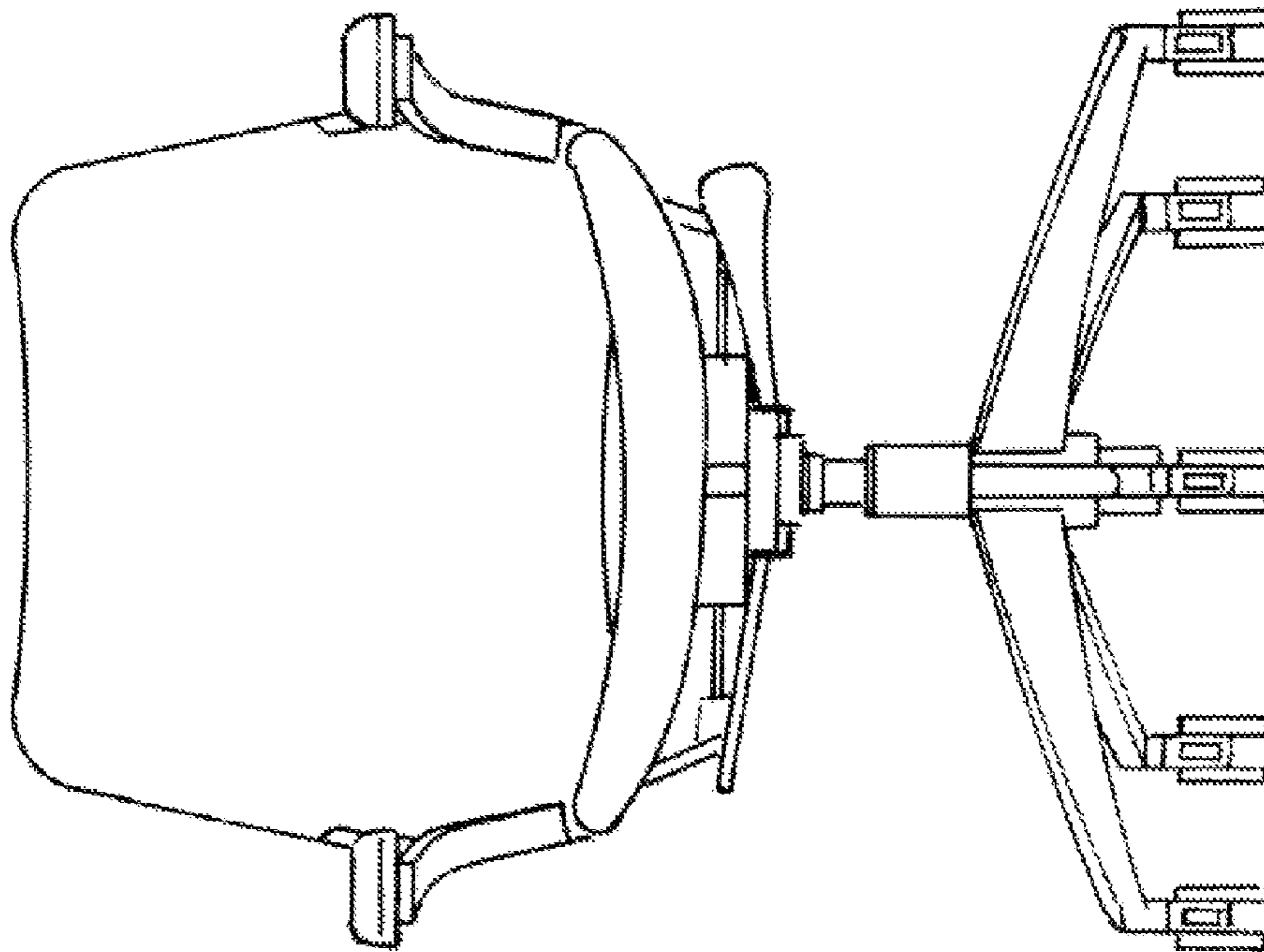


FIG. 3

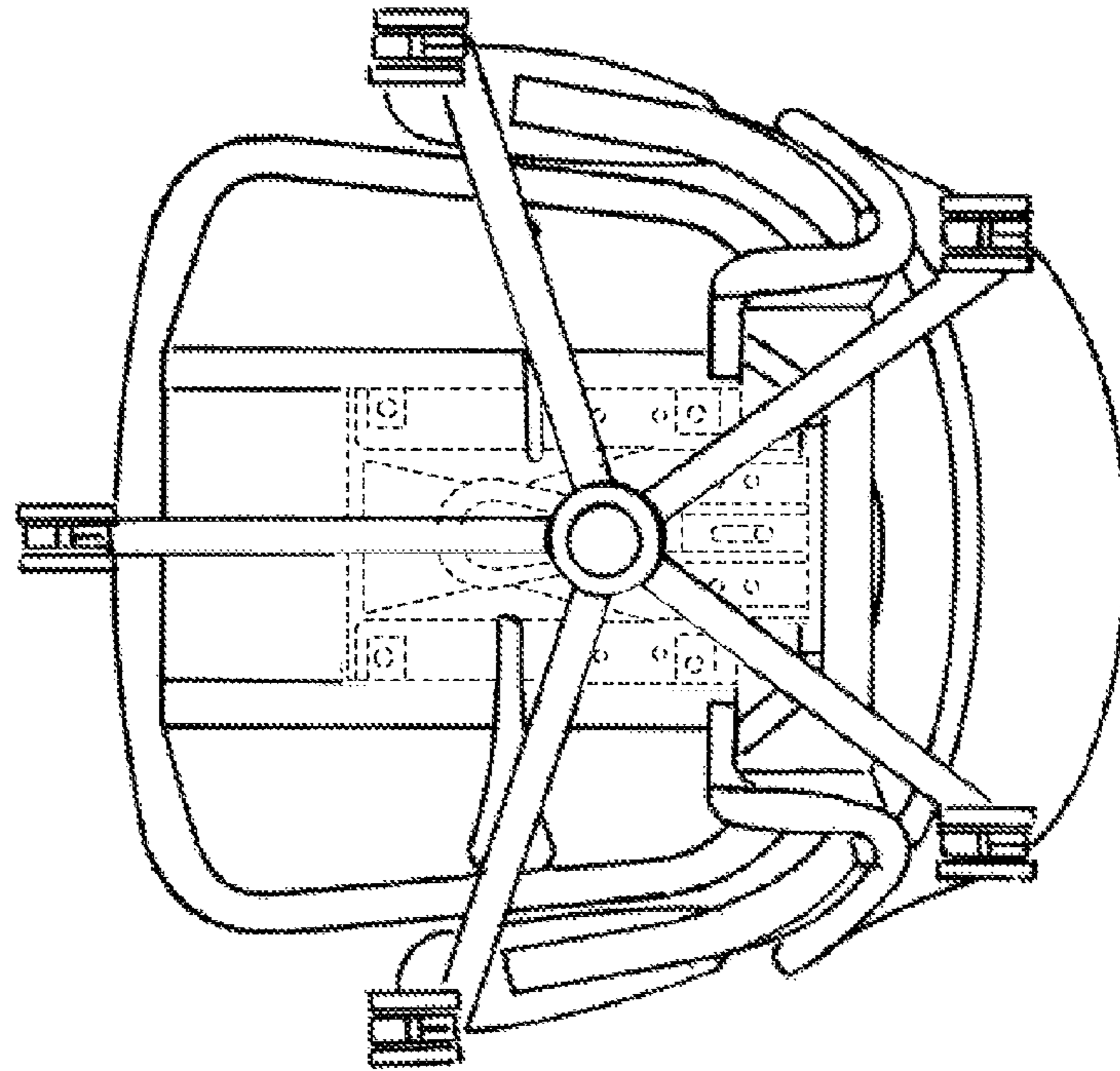


FIG. 5

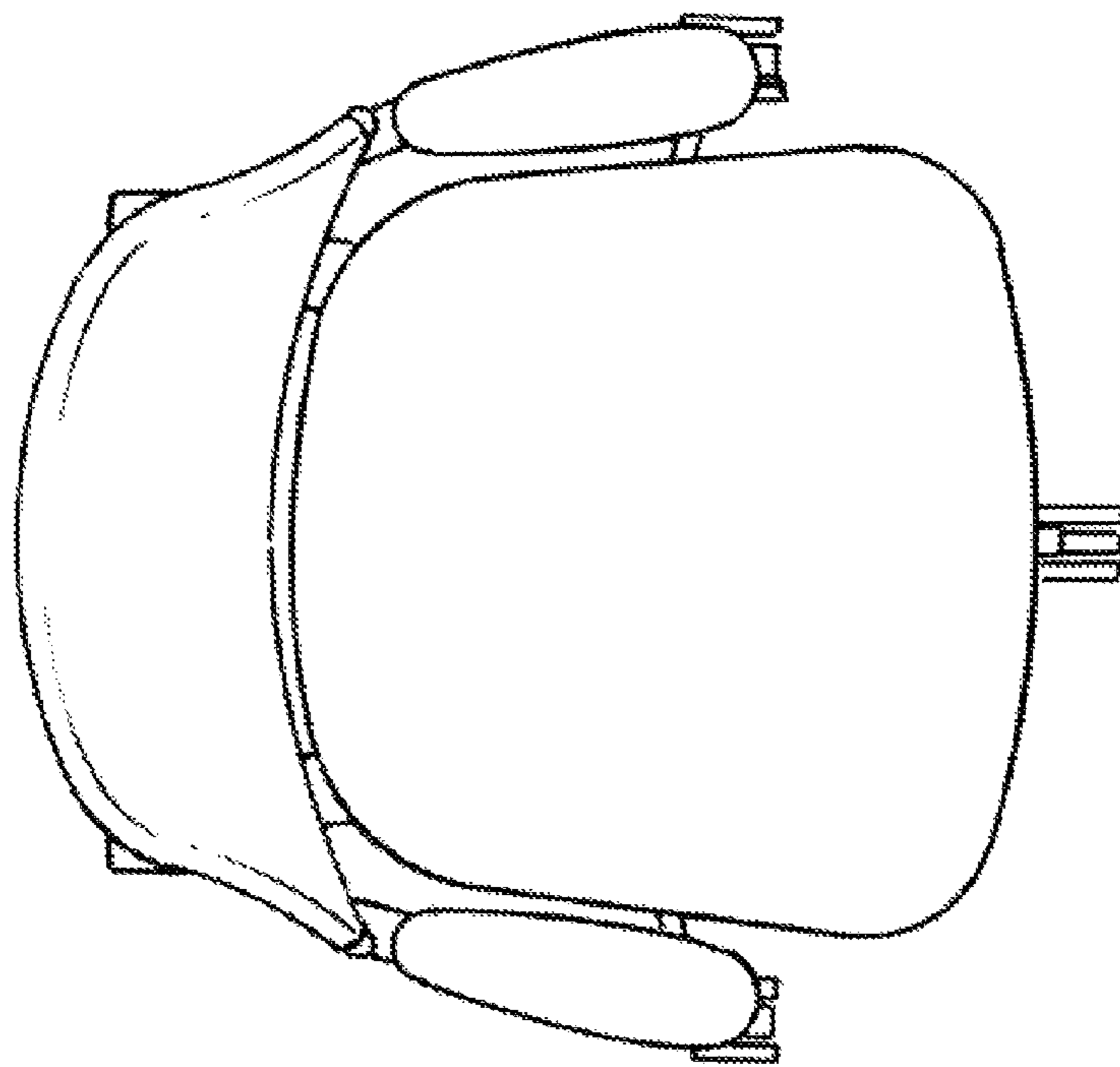


FIG. 6