



US00D653041S

(12) **United States Design Patent**
Henry et al.

(10) **Patent No.:** **US D653,041 S**
(45) **Date of Patent:** **** Jan. 31, 2012**

(54) **MIRROR WITH STORAGE ATTACHMENTS**

D492,079 S * 6/2004 Feltman D99/5
7,454,857 B1 * 11/2008 Monjello 40/722
D601,883 S * 10/2009 Catoggio D8/396

(75) Inventors: **Lou Henry**, Scarsdale, NY (US); **Petros Stambolis**, Franklin Square, NY (US)

* cited by examiner

(73) Assignee: **Town & Country Linen Corp.**, New York, NY (US)

Primary Examiner — Philip S Hyder
Assistant Examiner — Sydney Buffalow

(**) Term: **14 Years**

(74) *Attorney, Agent, or Firm* — Amster, Rothstein & Ebenstein LLP

(21) Appl. No.: **29/366,603**

(57) **CLAIM**

The ornamental design for a mirror with storage attachments, as shown and described.

(22) Filed: **Jul. 27, 2010**

DESCRIPTION

(51) **LOC (9) Cl.** **06-07**

(52) **U.S. Cl.** **D6/300**

(58) **Field of Classification Search** D6/300–314,
D6/444, 553, 512, 524, 556; D7/620; D99/5;
40/722, 700; D8/396, 700, 800
See application file for complete search history.

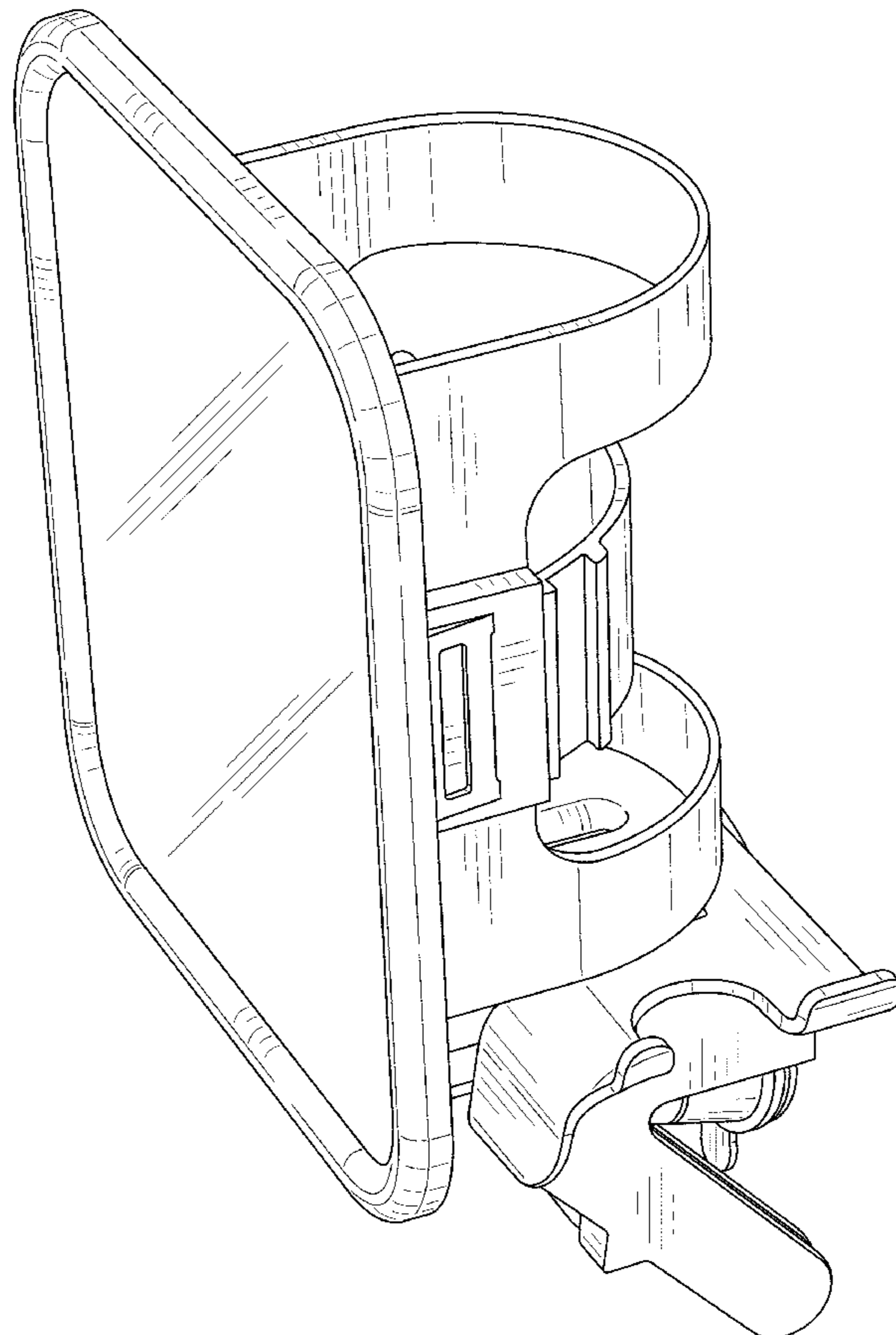
FIG. 1 is a side frontal perspective view of the mirror with storage attachments;
FIG. 2 is front view of the mirror with storage attachments;
FIG. 3 is a rear view of the mirror with storage attachments;
FIG. 4 is a side view of the mirror with storage attachments;
FIG. 5 is an opposite side view of the mirror with storage attachments;
FIG. 6 is a top view of the mirror with storage attachments;
FIG. 7 is a bottom view of the mirror with storage attachments; and,
FIG. 8 is side rear perspective view of the mirror with storage attachments.

(56) **References Cited**

U.S. PATENT DOCUMENTS

D300,890 S * 5/1989 Roland D6/512
D300,891 S * 5/1989 Roland D6/512
D361,461 S * 8/1995 Linzenbold D6/556
D367,999 S * 3/1996 McCallum D7/620
D402,144 S * 12/1998 Weirich D6/524
D440,442 S * 4/2001 Koranda D6/553

1 Claim, 8 Drawing Sheets



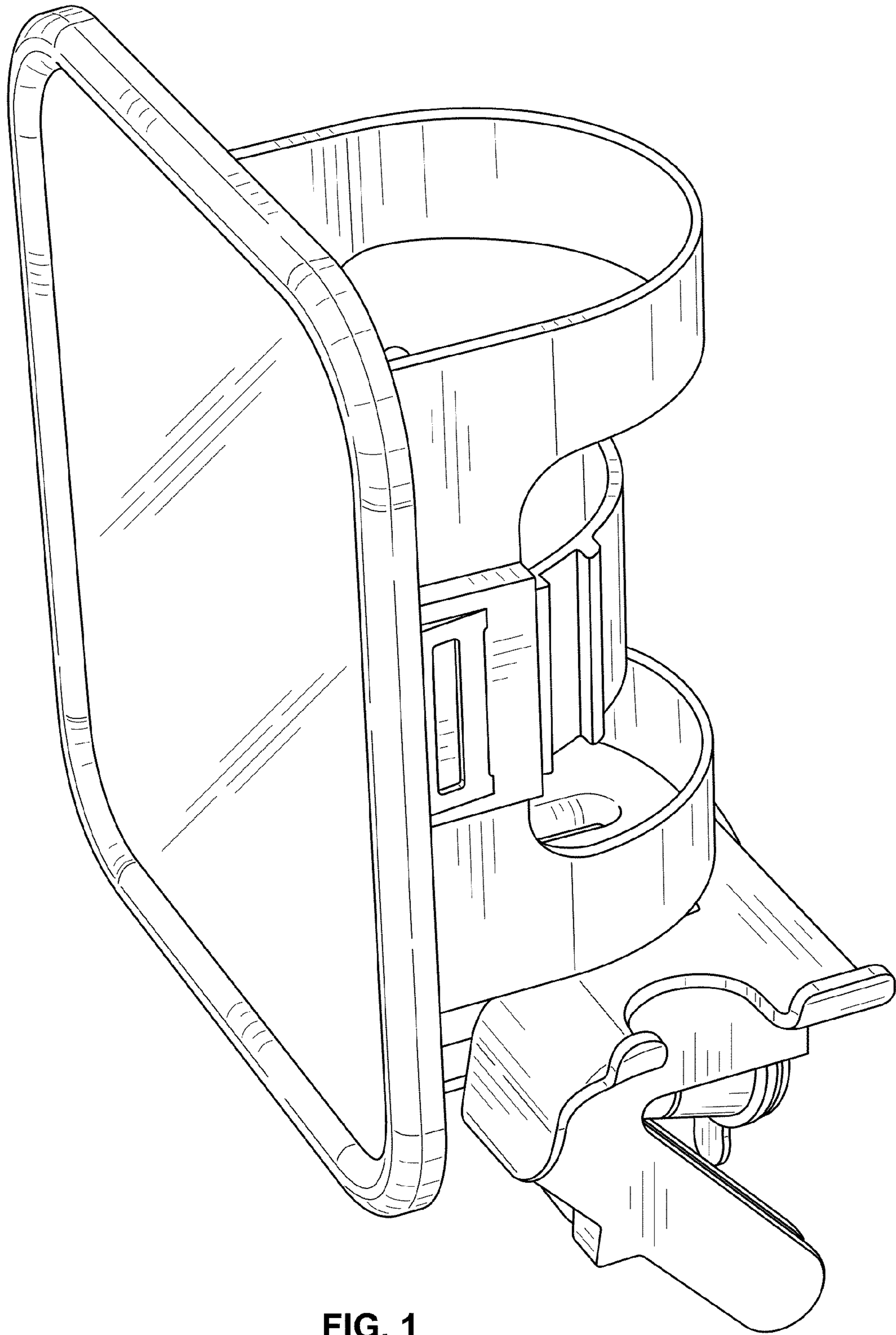


FIG. 1

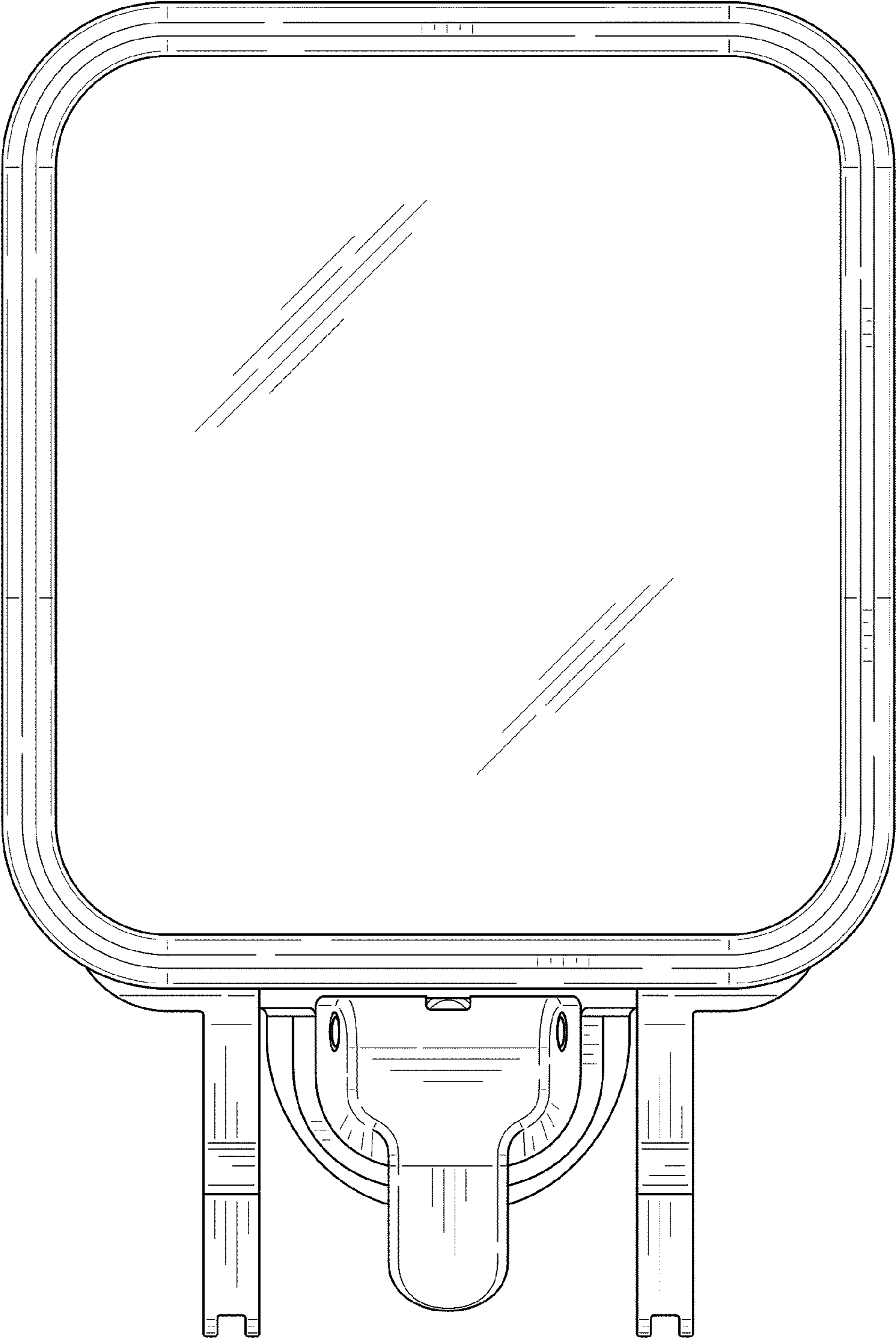


FIG. 2

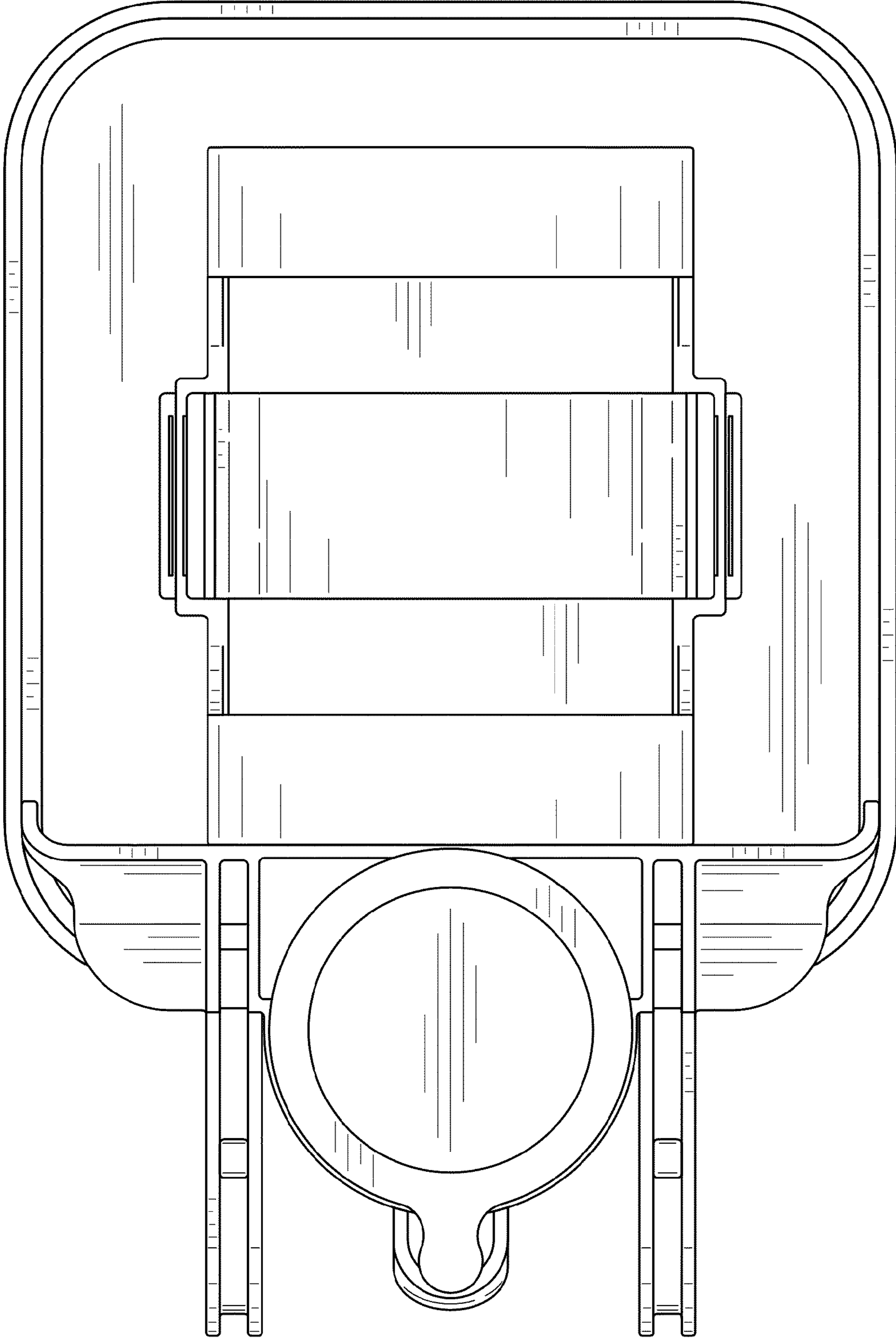


FIG. 3

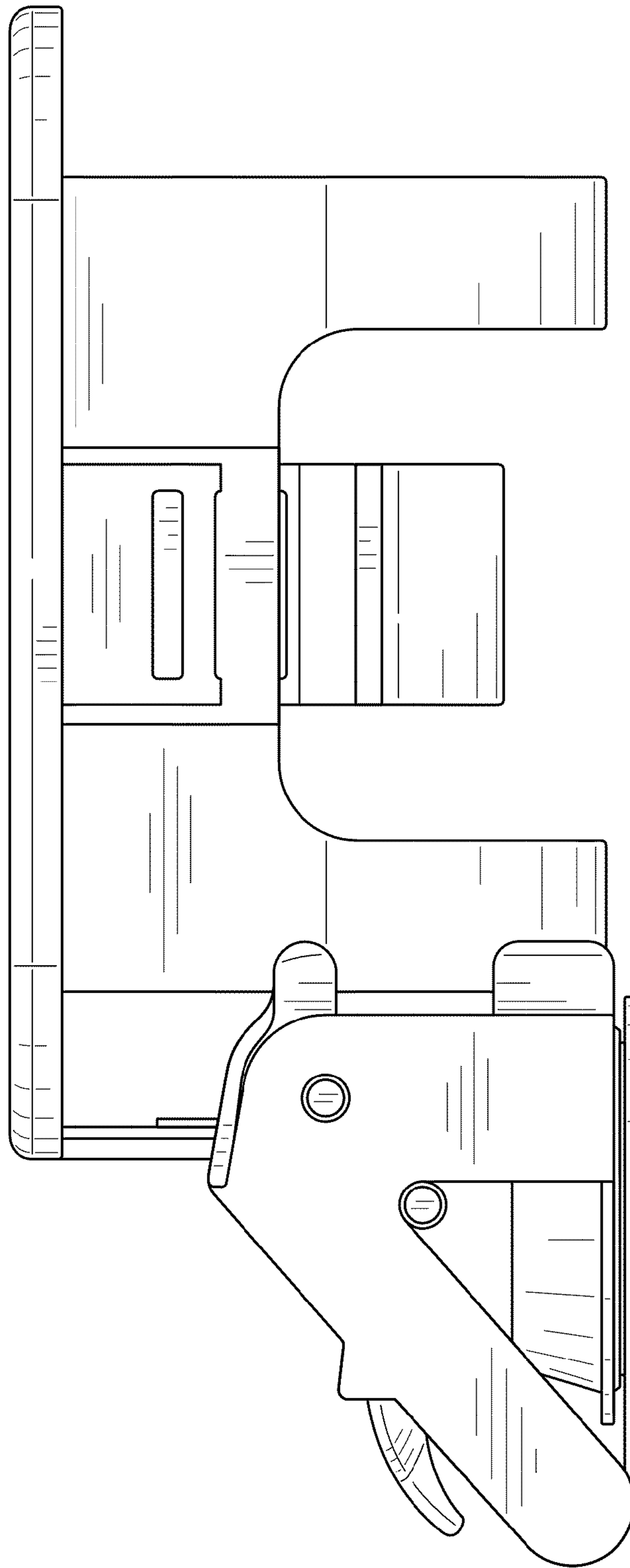


FIG. 4

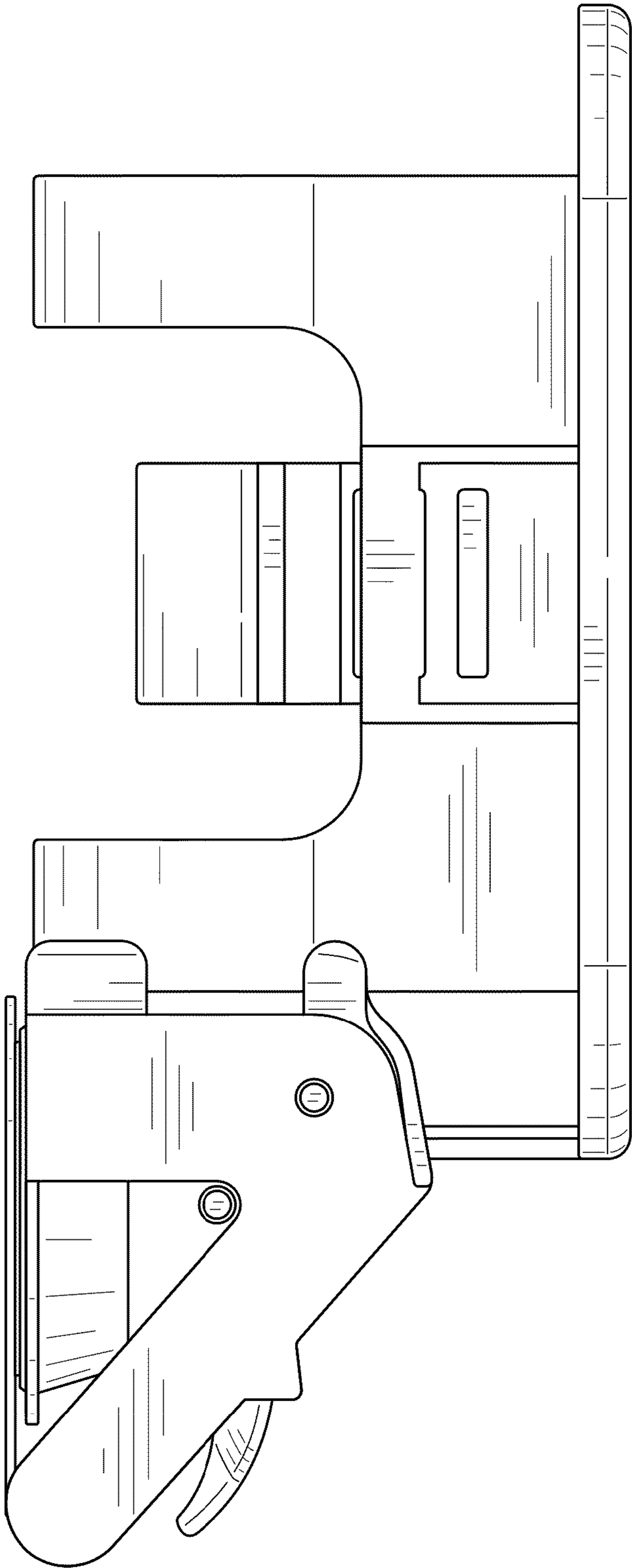


FIG. 5

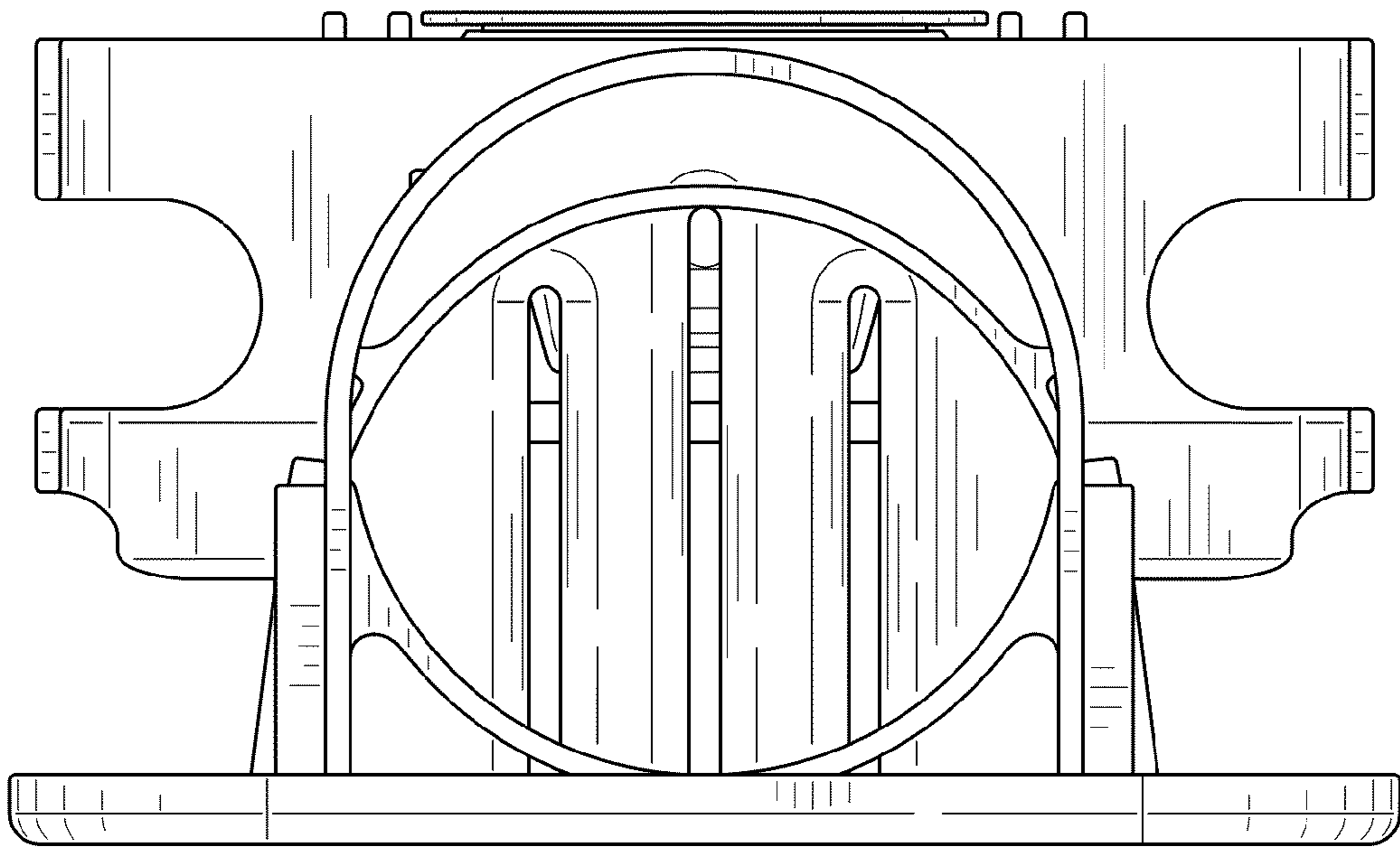


FIG. 6

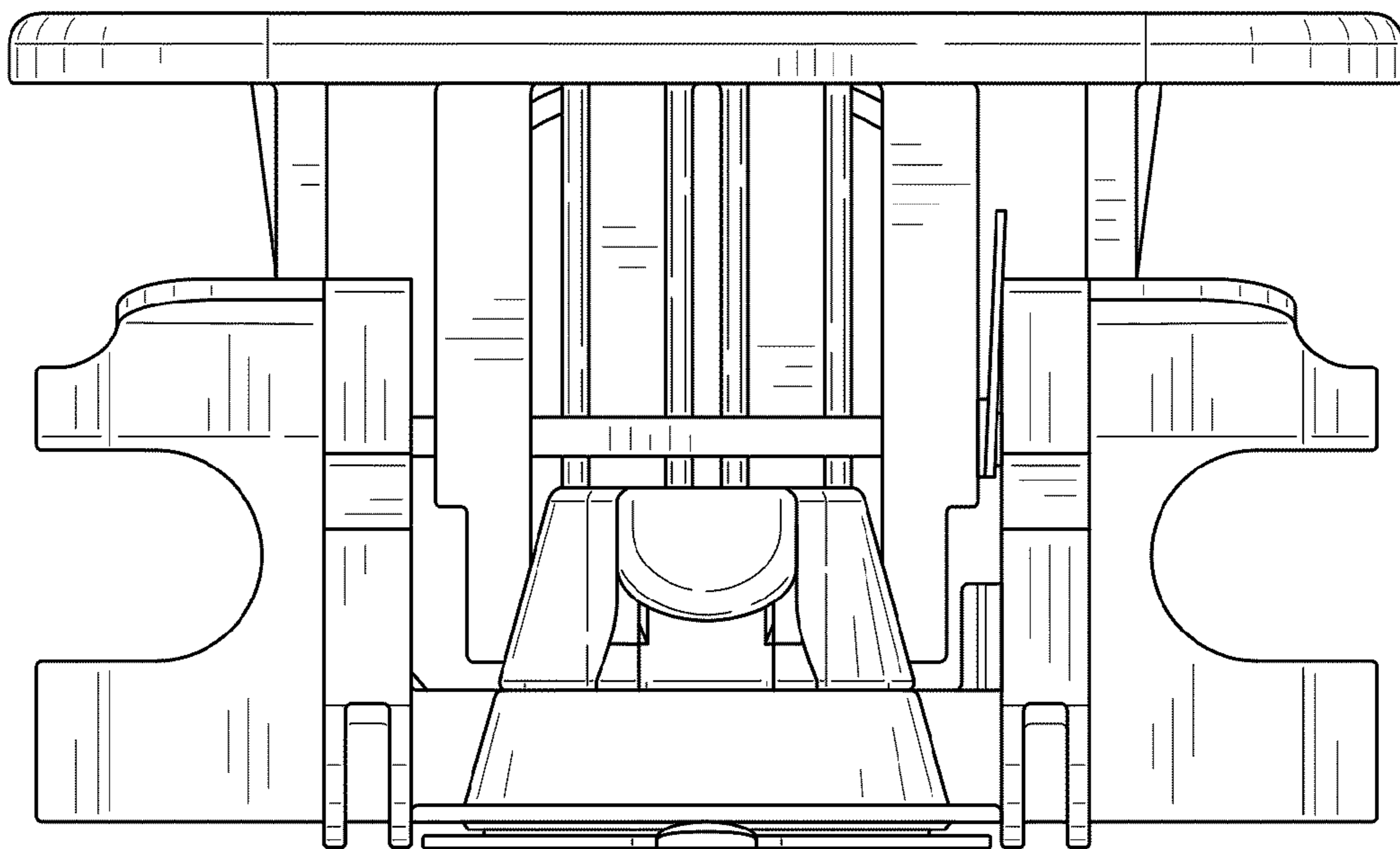


FIG. 7

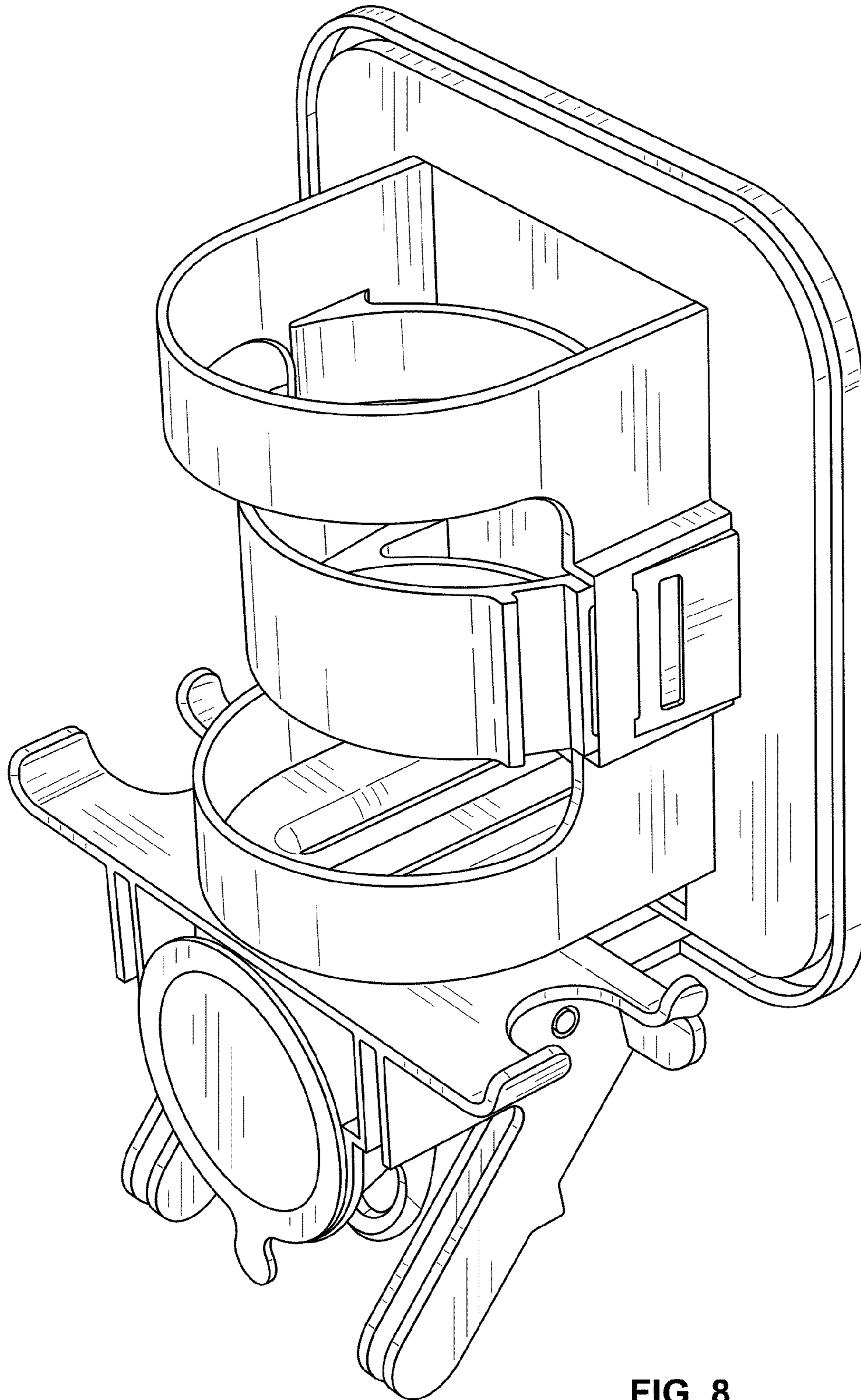


FIG. 8