



US00D653040S

(12) **United States Design Patent**  
**Smith et al.**

(10) **Patent No.:** **US D653,040 S**

(45) **Date of Patent:** **\*\* Jan. 31, 2012**

(54) **WALL MOUNT**

(75) Inventors: **Scott A. Smith**, Mason, OH (US); **Ryan A. Brazelton**, Centerville, OH (US); **Patrick J. Bertke**, Dayton, OH (US)

(73) Assignee: **Six Continents Hotels, Inc.**, Atlanta, GA (US)

(\*\*) Term: **14 Years**

(21) Appl. No.: **29/326,624**

(22) Filed: **Oct. 21, 2008**

(51) **LOC (9) Cl.** ..... **06-07**

(52) **U.S. Cl.** ..... **D6/300**

(58) **Field of Classification Search** ..... D6/300-314,  
D6/449; D20/18, 10; D18/26; D14/125;  
D10/2; 40/768, 700

See application file for complete search history.

(56) **References Cited**

**U.S. PATENT DOCUMENTS**

D306,661 S *	3/1990	Sanford	.....	D6/301
D359,989 S *	7/1995	Sukovich	.....	D20/18
D364,647 S *	11/1995	Johnson	.....	D20/18
D391,991 S *	3/1998	Conner	.....	D20/10
D397,356 S *	8/1998	Wen et al.	.....	D18/26
D409,096 S *	5/1999	Young	.....	D10/2
D421,682 S *	3/2000	Rowan	.....	D6/301
D426,071 S *	6/2000	Vandemore	.....	D6/301
D439,223 S *	3/2001	Sheckler	.....	D14/125
D453,422 S *	2/2002	Morgan	.....	D6/301
D458,461 S *	6/2002	Ragan-Masters et al.	.....	D6/301
6,536,149 B1 *	3/2003	Phillips	.....	40/768
D502,005 S *	2/2005	Henry	.....	D6/301
D526,492 S *	8/2006	Sakaguchi	.....	D6/301
D526,794 S *	8/2006	Sakaguchi	.....	D6/301
D527,914 S *	9/2006	Sakaguchi	.....	D6/301
D532,615 S *	11/2006	Sakaguchi	.....	D6/301

D575,532 S \* 8/2008 Whetman ..... D6/301

\* cited by examiner

*Primary Examiner* — Philip S Hyder

*Assistant Examiner* — Sydney R Buffalow

(74) *Attorney, Agent, or Firm* — Kilpatrick Townsend & Stockton LLP

(57) **CLAIM**

The ornamental design for a wall mount, as shown and described.

**DESCRIPTION**

FIG. 1 is a perspective view of a first embodiment of the wall mount showing my design thereof;

FIG. 2 is a front view thereof;

FIG. 3 is a left side view thereof;

FIG. 4 is a perspective view of a second embodiment of the wall mount showing my design thereof;

FIG. 5 is a front view thereof;

FIG. 6 is a left side view thereof;

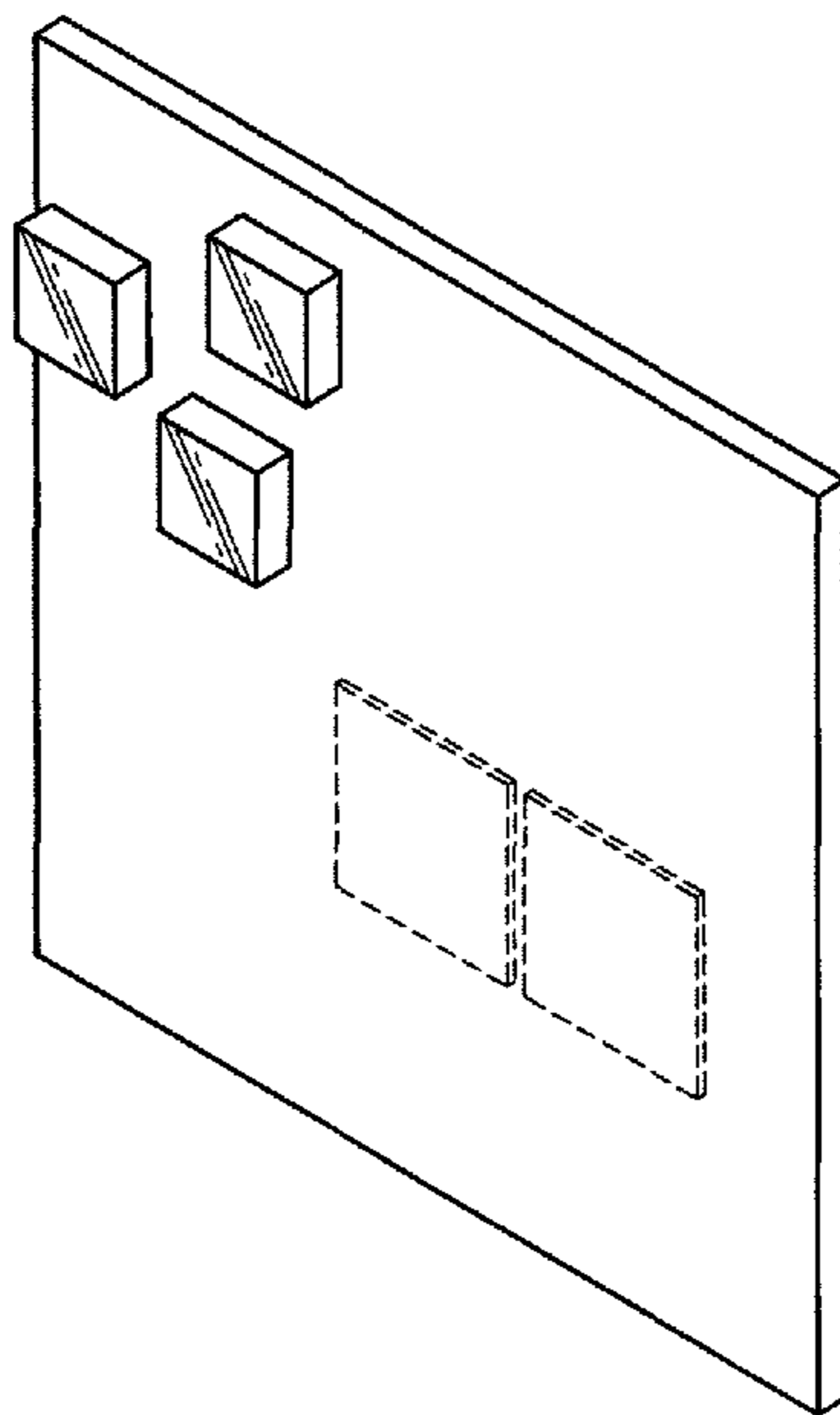
FIG. 7 is another perspective view of the first embodiment of the wall mount;

FIG. 8 is another front view of the first embodiment of the wall mount; and,

FIG. 9 is another side view of the first embodiment of the wall mount.

FIGS. 1-6 show two embodiments of the wall mount. The wall mount shown in FIGS. 1-6 includes three cube-shaped members protruding from the upper portion of the wall mount. The cube-shaped members are translucent. An illustrative plate is shown in FIGS. 1-9 in broken lines and forms no part of the claimed design. In FIGS. 7-9, the pattern or surface treatment applied to the wall mount is shown in broken lines and forms no part of the claimed design.

**1 Claim, 7 Drawing Sheets**



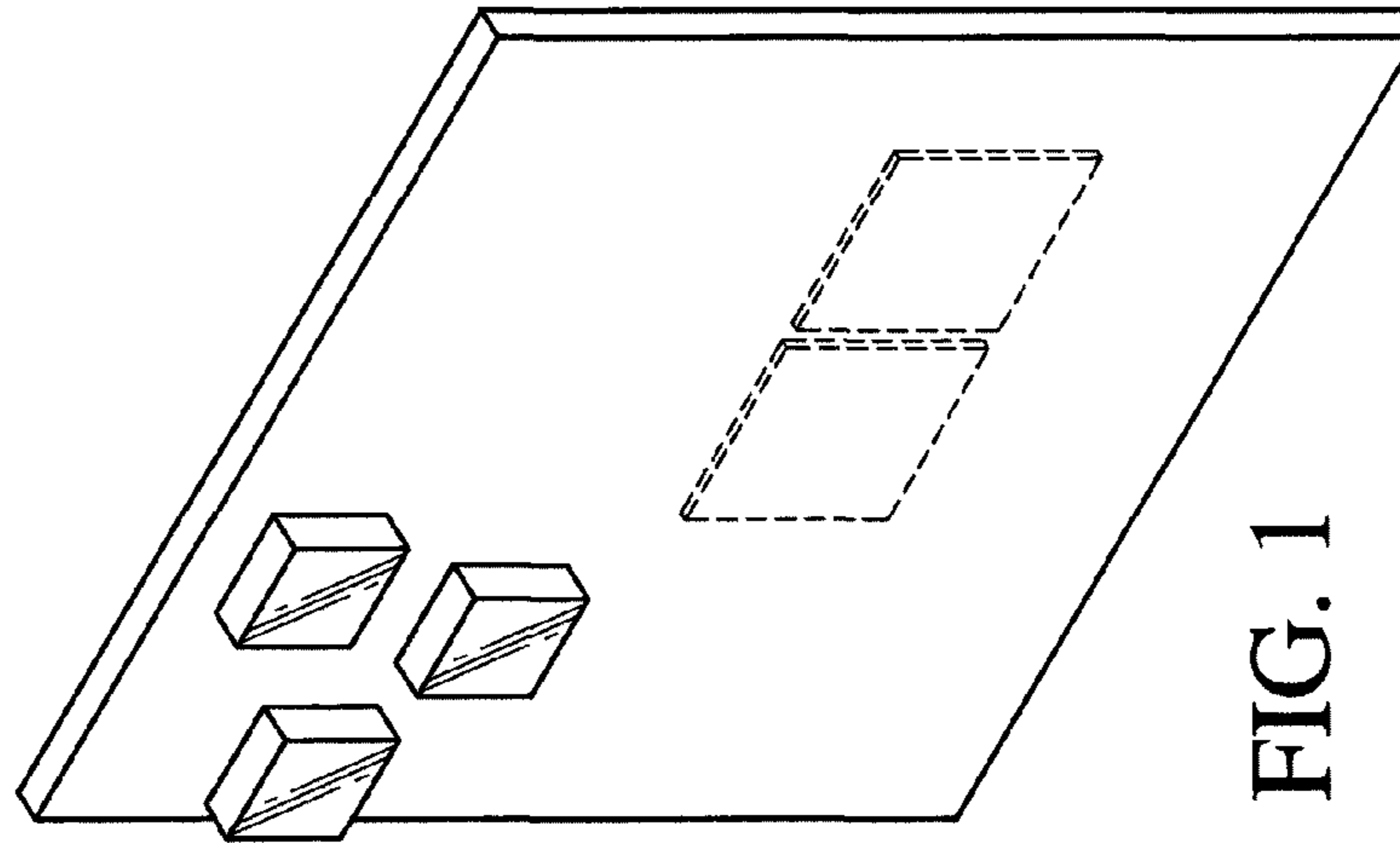


FIG. 1

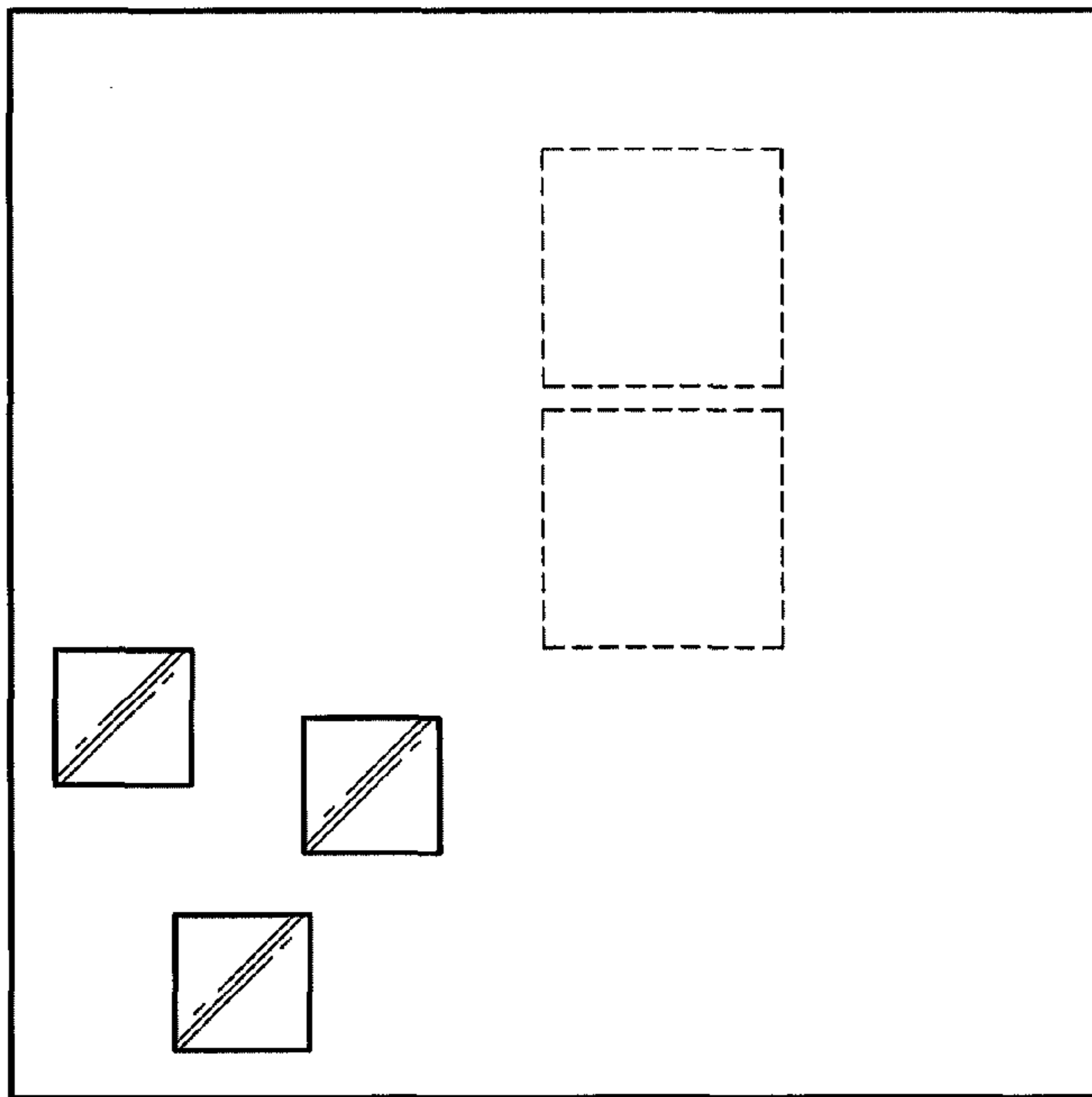


FIG. 2



FIG. 3

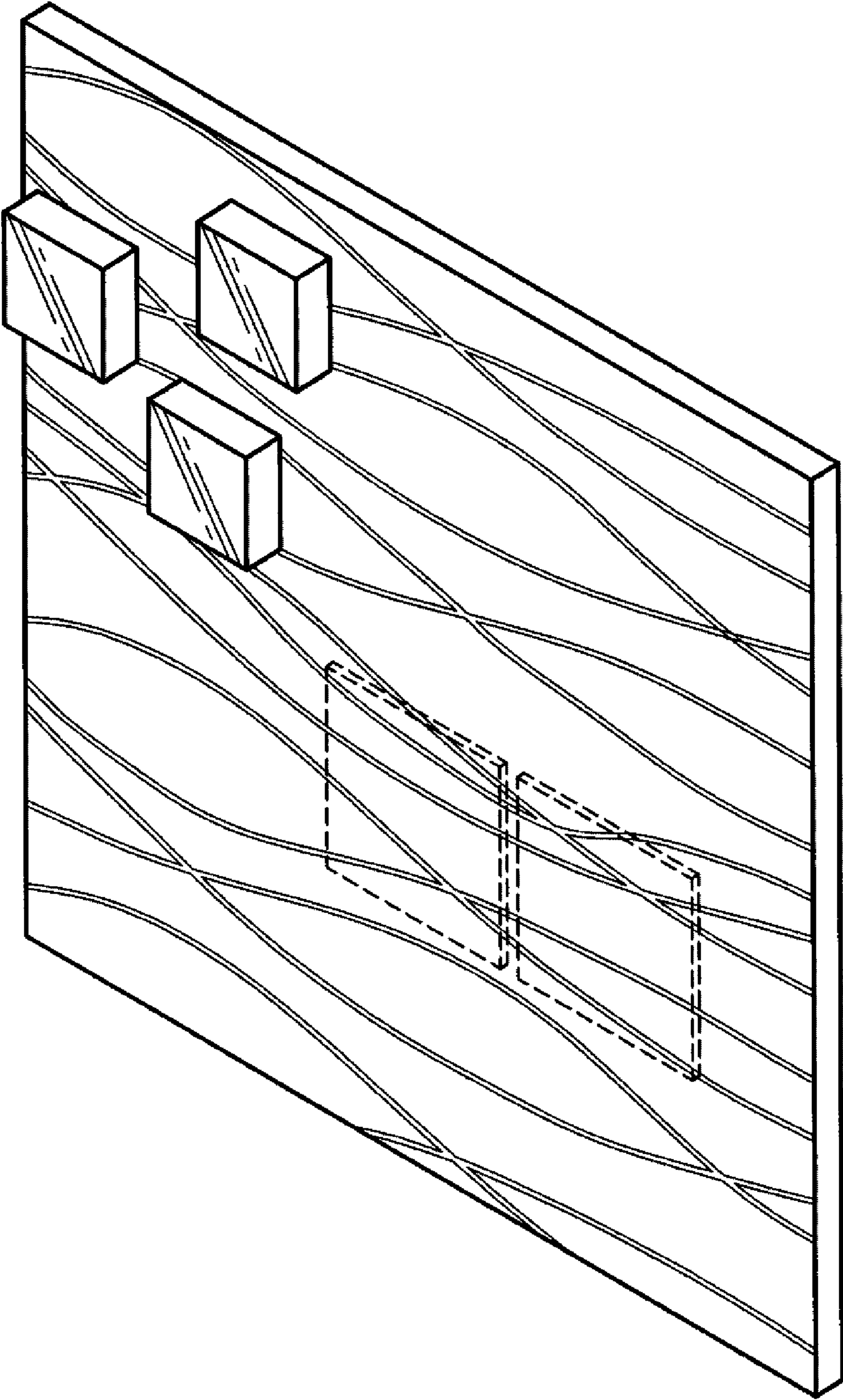


FIG. 4

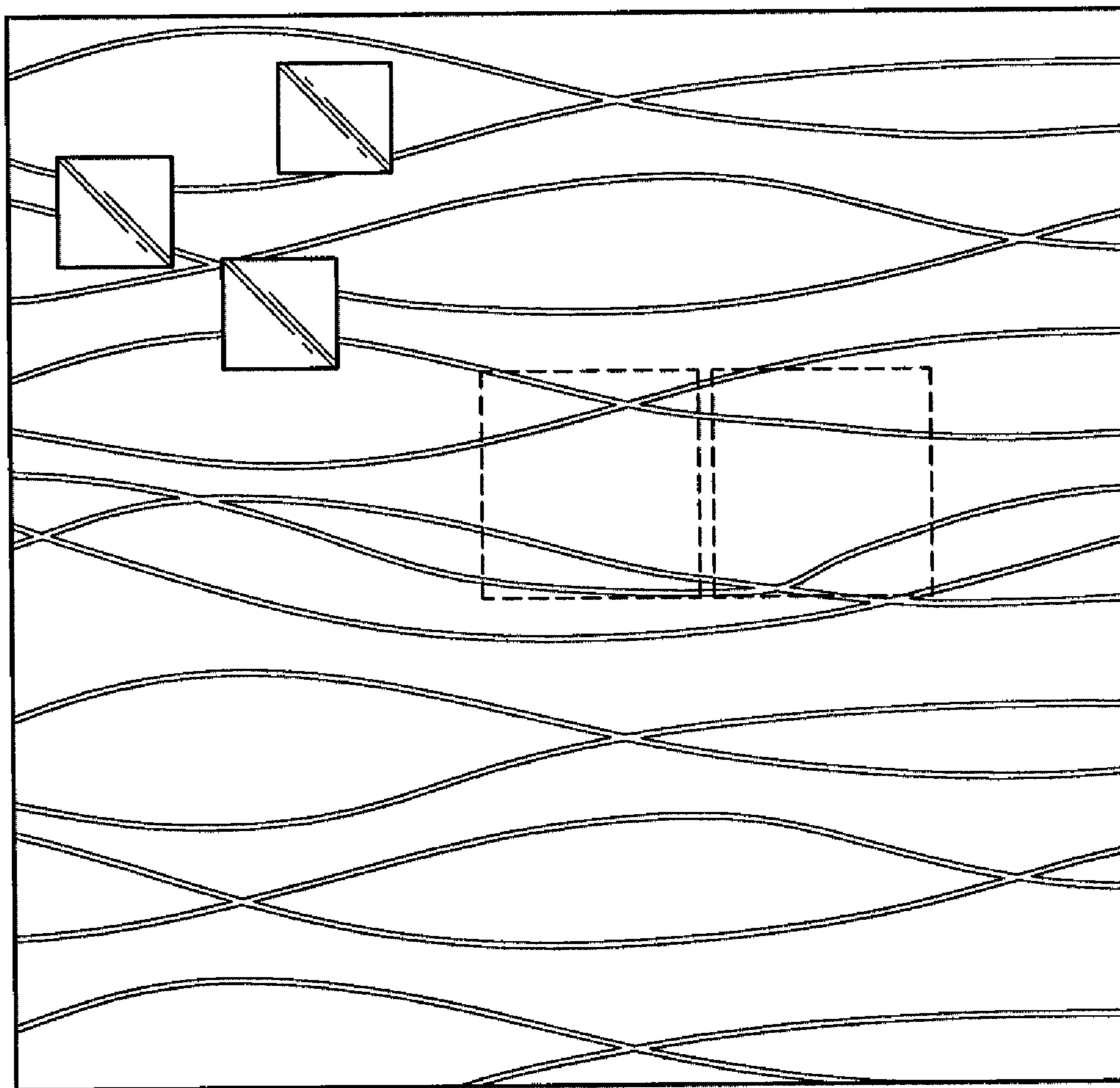


FIG. 5



FIG. 6

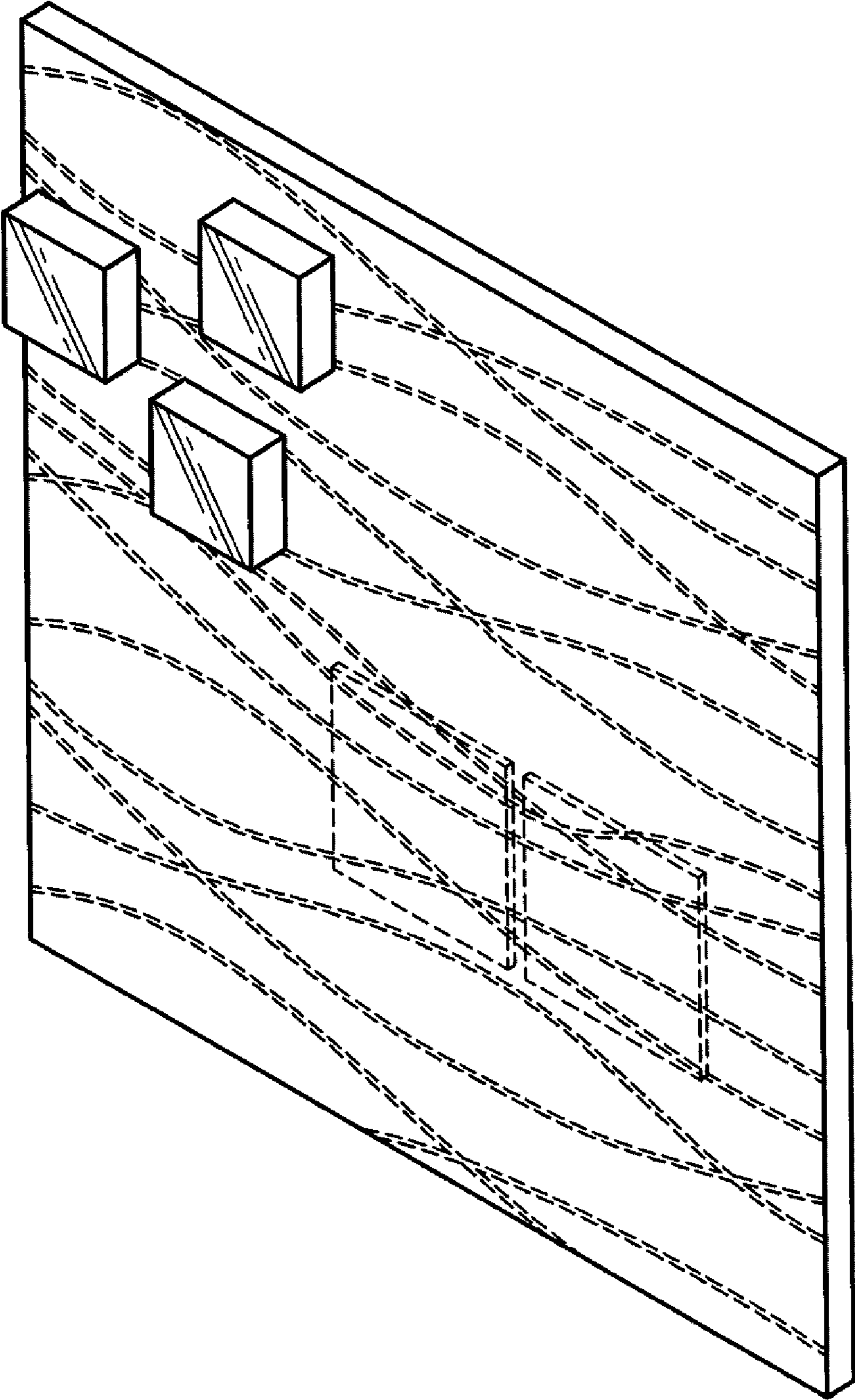


FIG. 7

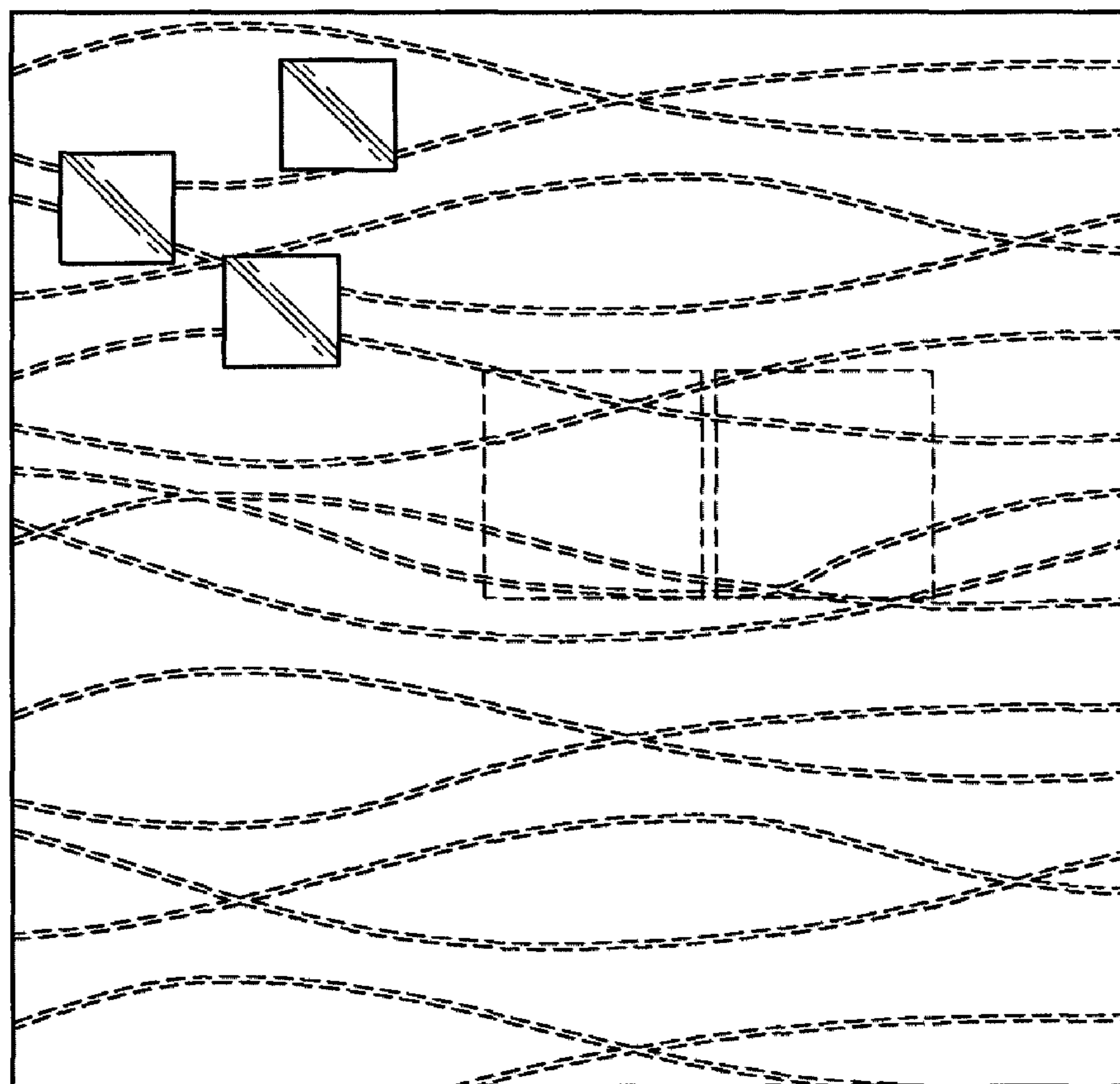


FIG. 8



FIG. 9