



US00D653037S

(12) **United States Design Patent**
Enders et al.

(10) **Patent No.:** **US D653,037 S**

(45) **Date of Patent:** **** Jan. 31, 2012**

(54) **SHIELDED BBQ BRUSH**

(76) Inventors: **Shaun Enders**, San Diego, CA (US);
Genia Enders, San Diego, CA (US)

(**) Term: **14 Years**

(21) Appl. No.: **29/397,207**

(22) Filed: **Jul. 13, 2011**

(51) **LOC (9) Cl.** **04-01**

(52) **U.S. Cl.** **D4/116; D4/118**

(58) **Field of Classification Search** D4/116,
D4/118, 121, 132, 134, 138; 15/143.1, 159.1,
15/160, 111, 236.01, 236.02, 248.1; D32/42,
D32/46, 49

See application file for complete search history.

(56) **References Cited**

U.S. PATENT DOCUMENTS

711,777	A *	10/1902	Marqua	15/248.1
4,516,870	A *	5/1985	Nakazato	401/146
D307,077	S *	4/1990	Bryant	D4/138
5,373,600	A *	12/1994	Stojanovski et al.	15/111
D358,491	S *	5/1995	Hoagland	D4/138
D394,328	S *	5/1998	Palumbo	D28/7
D422,792	S *	4/2000	Liu	D4/118

6,061,862	A *	5/2000	Whitaker	15/111
D429,889	S *	8/2000	Fielding	D4/118
D530,098	S *	10/2006	Neal et al.	D4/118
7,168,124	B2 *	1/2007	Dalias	15/160
7,861,357	B1 *	1/2011	Porter	15/111
2005/0011029	A1 *	1/2005	Yu	15/111

* cited by examiner

Primary Examiner — Melanie H Tung

Assistant Examiner — Lavone D Tabor

(74) *Attorney, Agent, or Firm* — Joshua S. Schoonover;
Coastal Patent Agency

(57) **CLAIM**

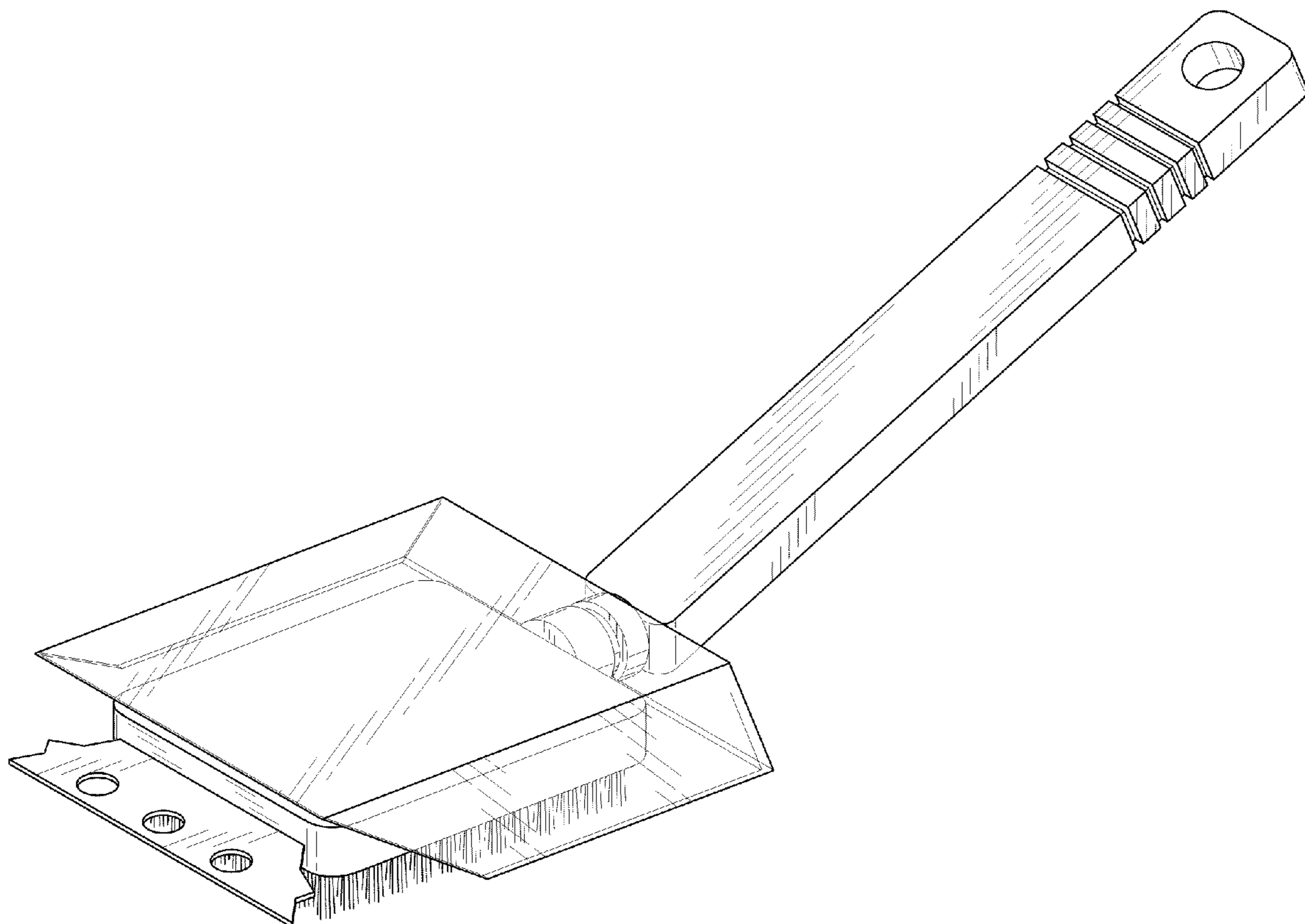
The ornamental design for a shielded BBQ brush, as shown and described.

DESCRIPTION

FIG. 1 is a top perspective view of the shielded BBQ brush showing a top, front, and side thereof; and, FIG. 2 is a bottom perspective view of the shielded BBQ brush showing a bottom, rear, and side thereof.

The shielded BBQ brush is used to facilitate cleaning of a barbecue grill, or similar cooking device. The transparent shield is flexible and removably attached to a notch in the handle.

1 Claim, 2 Drawing Sheets



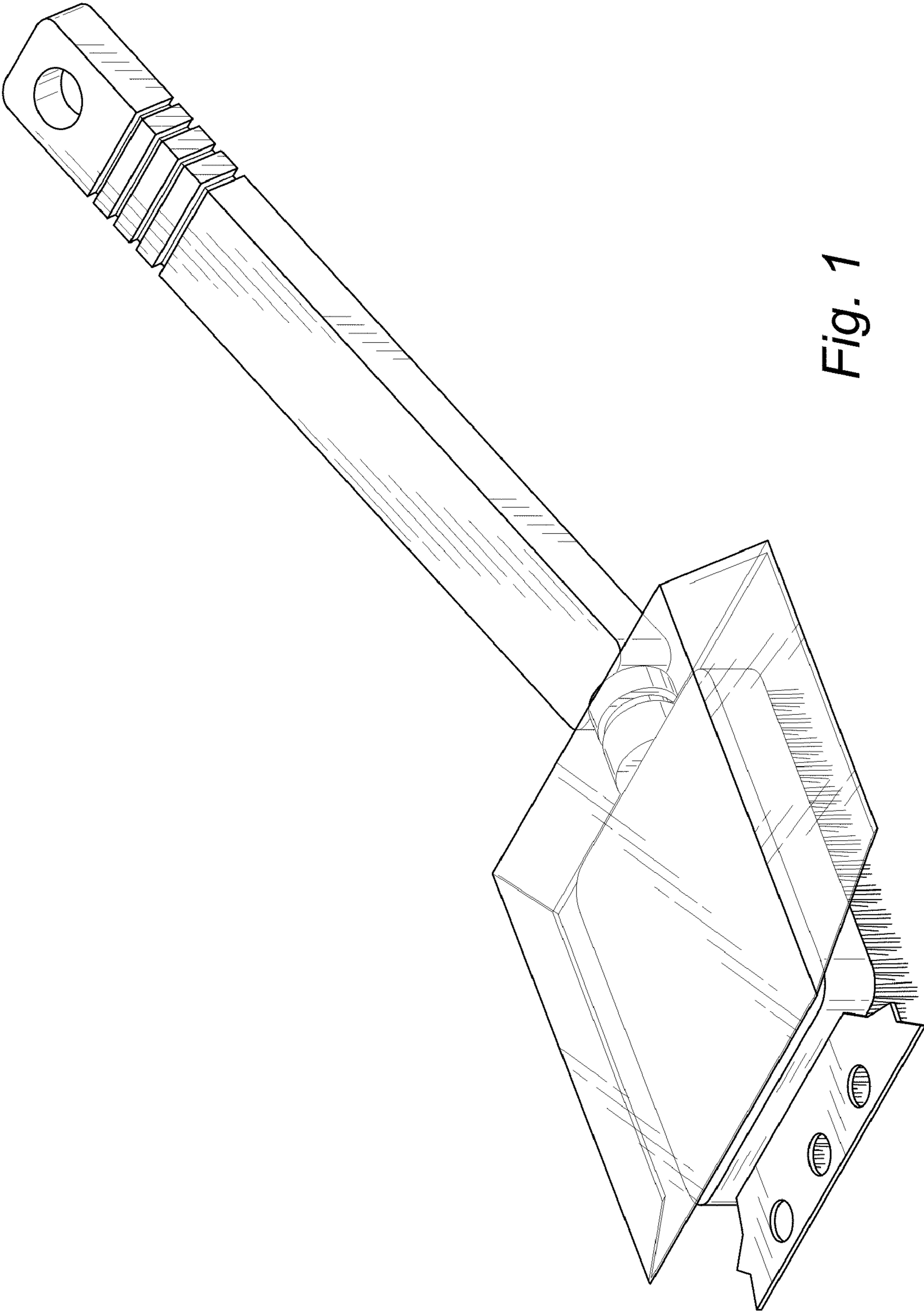


Fig. 1

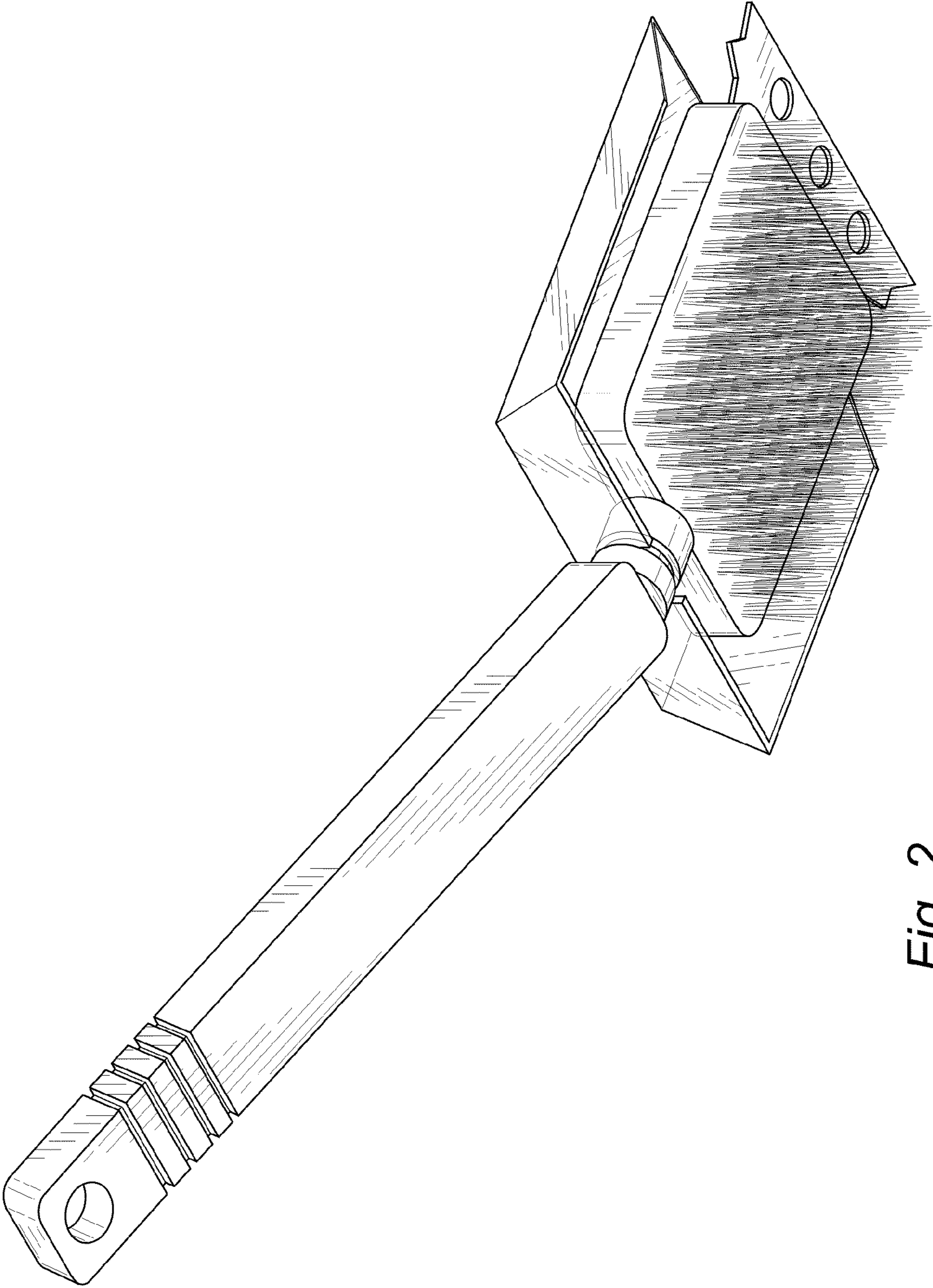


Fig. 2