

US00D653036S

(12) **United States Design Patent**
Fifer

(10) **Patent No.:** **US D653,036 S**
(45) **Date of Patent:** **** Jan. 31, 2012**

(54) **TOOTHBRUSH**

(76) Inventor: **Oray Fifer**, Phoenix, AZ (US)

(**) Term: **14 Years**

(21) Appl. No.: **29/349,577**

(22) Filed: **Apr. 19, 2010**

(51) **LOC (9) Cl.** **04-02**

(52) **U.S. Cl.** **D4/106; D4/111; D4/120; D4/127**

(58) **Field of Classification Search** **D4/104-106,**
D4/111, 119, 120, 127, 130; 15/10, 167.1,
15/167.26; 132/308-311

See application file for complete search history.

(56) **References Cited**

U.S. PATENT DOCUMENTS

1,270,233	A *	6/1918	Stoorman	15/167.2
1,911,973	A *	5/1933	Ruse	15/28
1,967,783	A *	7/1934	Rudof	300/21
D136,632	S *	11/1943	Bernard et al.	D4/106
D189,287	S *	11/1960	Dobbins	D32/47
D273,153	S *	3/1984	Wagner	D4/106
2011/0067194	A1 *	3/2011	Al-Qaffas	15/167.2
2011/0209299	A1 *	9/2011	Simovitz	15/167.2

FOREIGN PATENT DOCUMENTS

JP 06197811 A * 7/1994

* cited by examiner

Primary Examiner — Melanie H Tung

Assistant Examiner — Lavone D Tabor

(74) *Attorney, Agent, or Firm* — Rodgers & Rodgers

(57) **CLAIM**

The ornamental design for a toothbrush, as shown and described.

DESCRIPTION

FIG. 1 is a perspective view of a toothbrush showing my new design;

FIG. 2 is a front elevational view thereof;

FIG. 3 is a bottom plan view thereof;

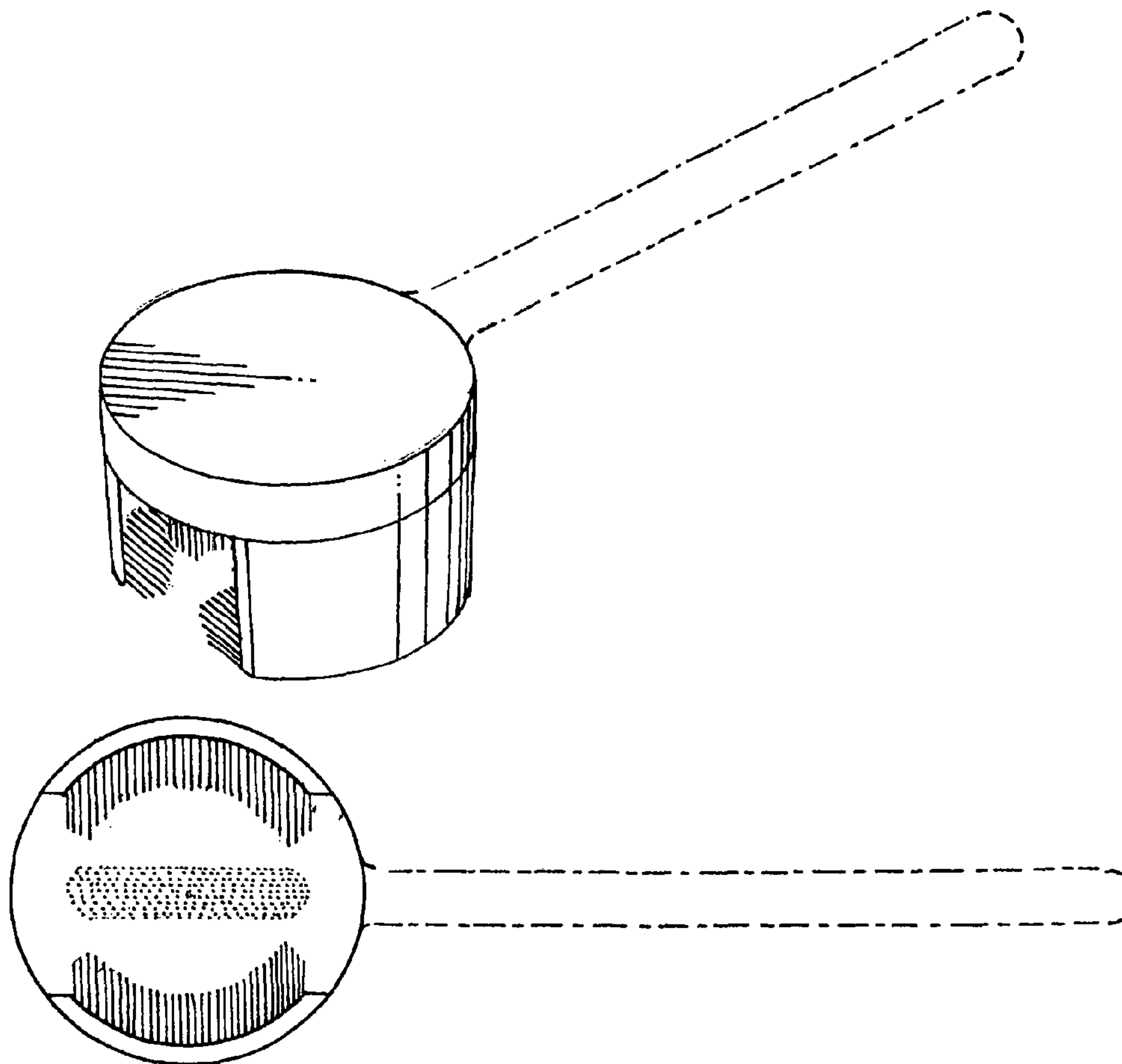
FIG. 4 is a left-side elevational view thereof;

FIG. 5 is a right-side elevational view thereof; and,

FIG. 6 is a top plan view thereof.

The broken lines are included for the purpose of illustrating environment and form no part of the claimed design.

1 Claim, 2 Drawing Sheets



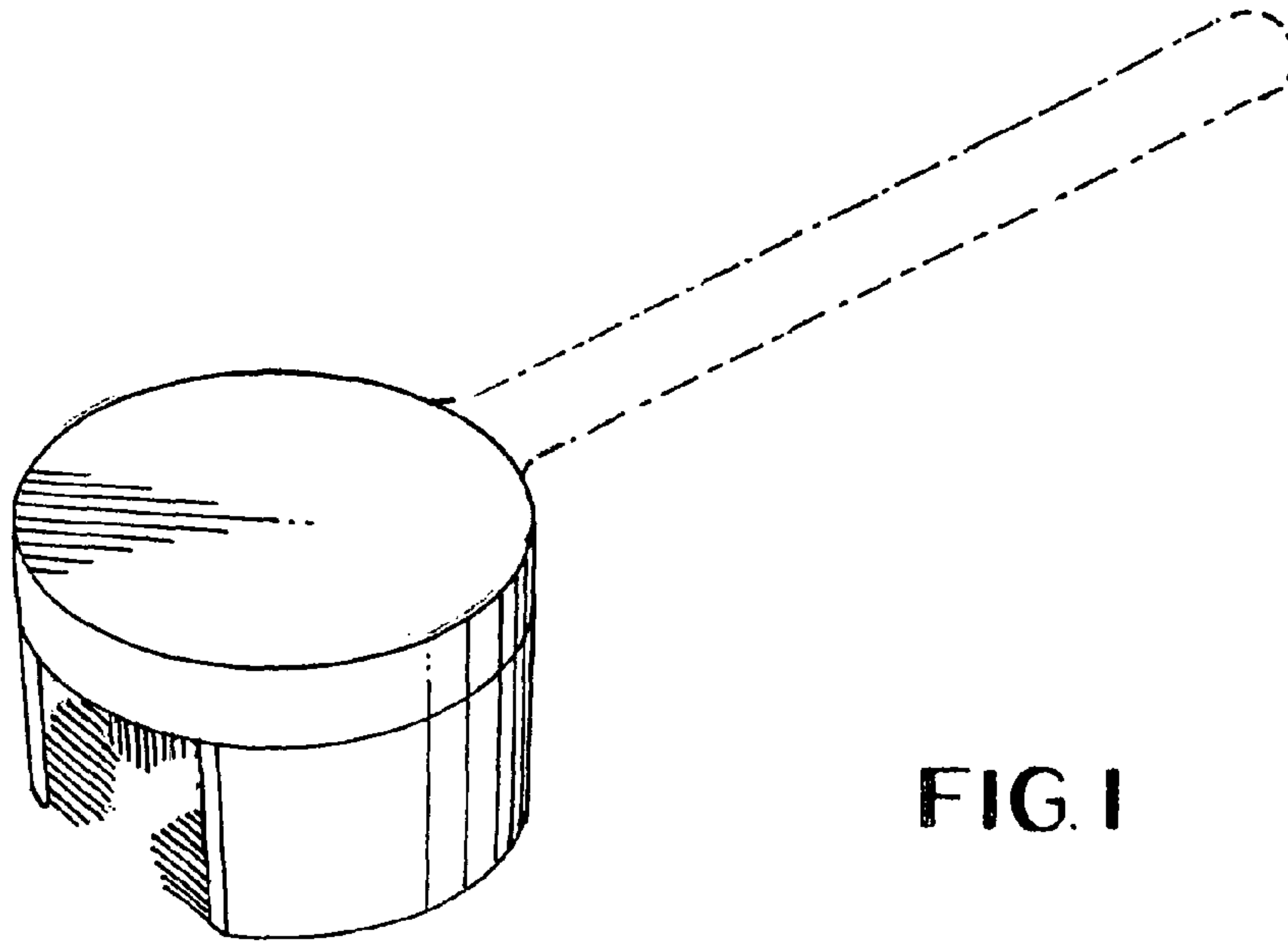


FIG. 1

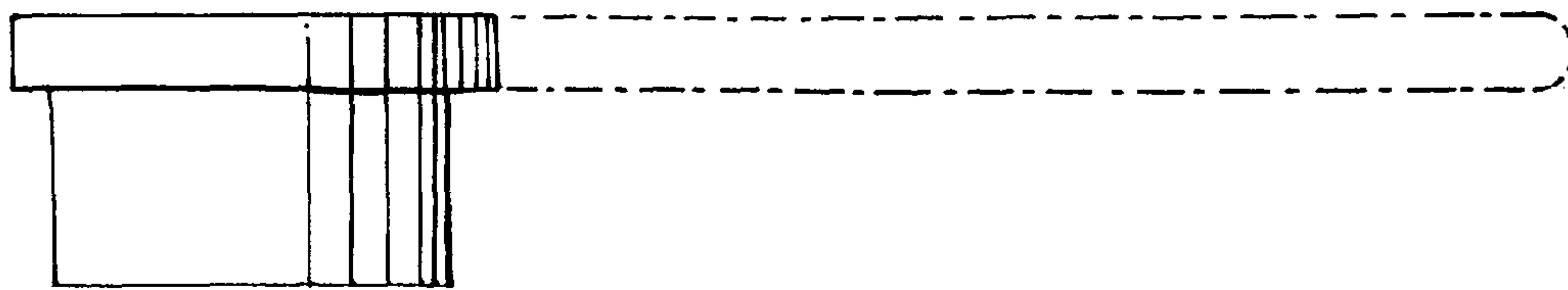


FIG. 2

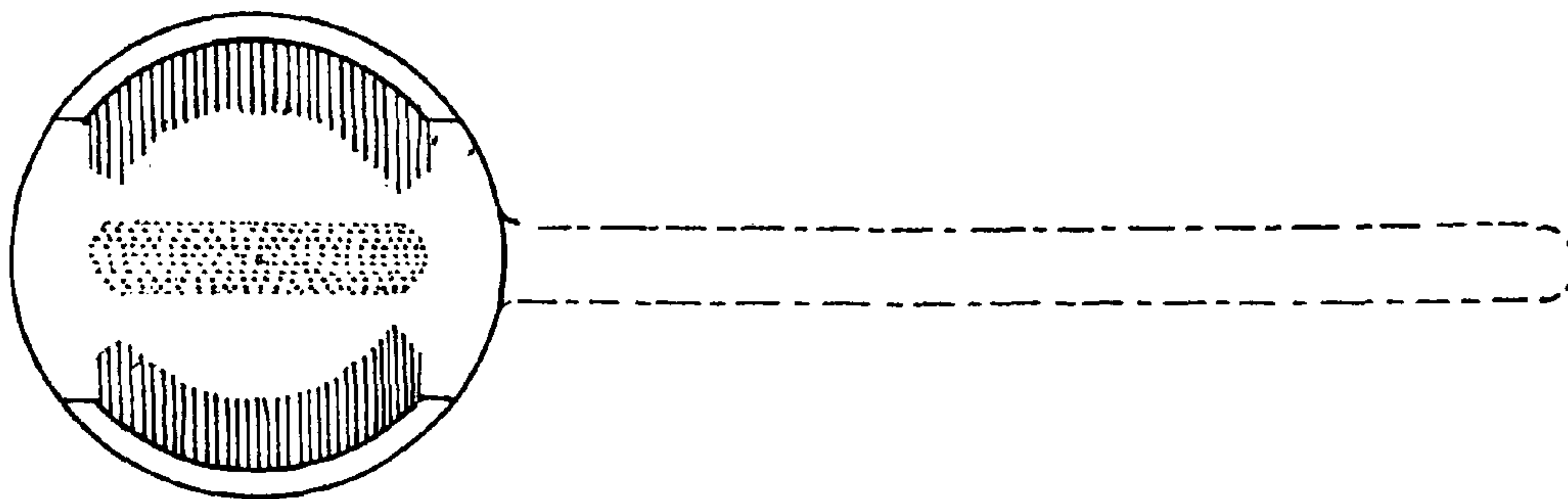


FIG. 3

FIG. 4

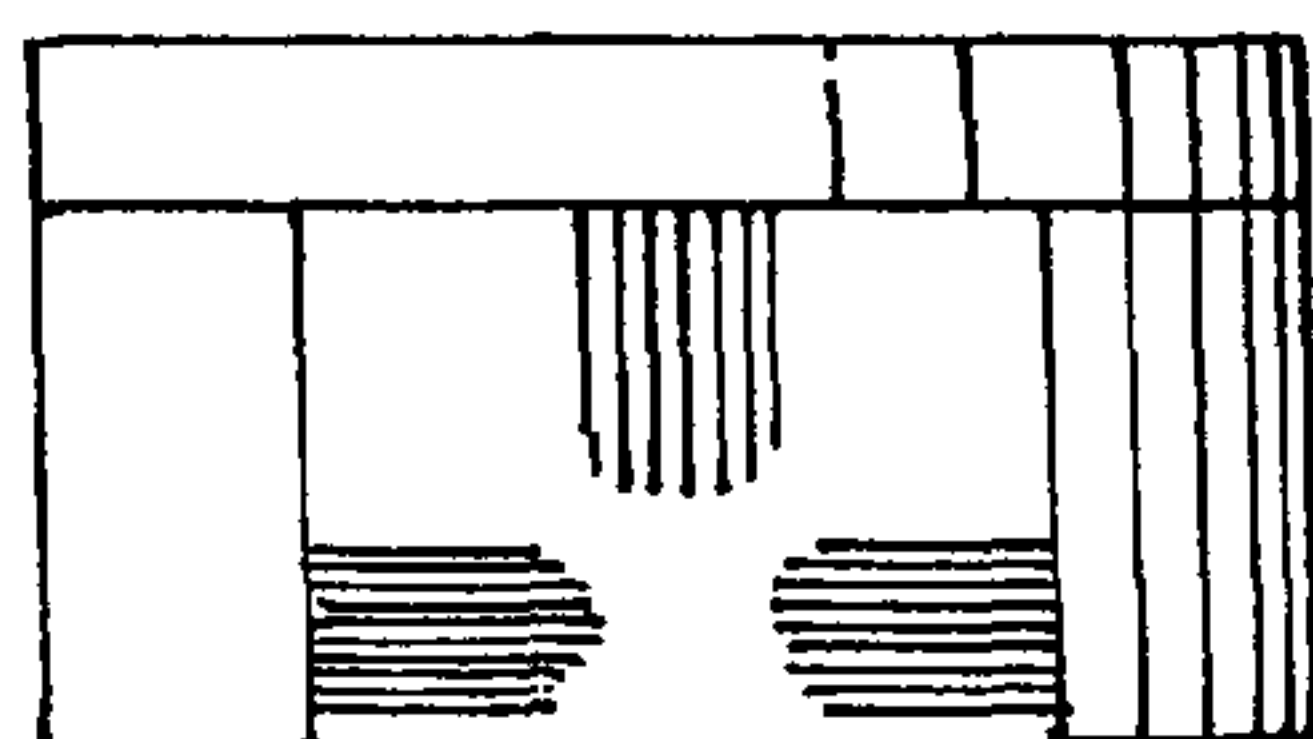
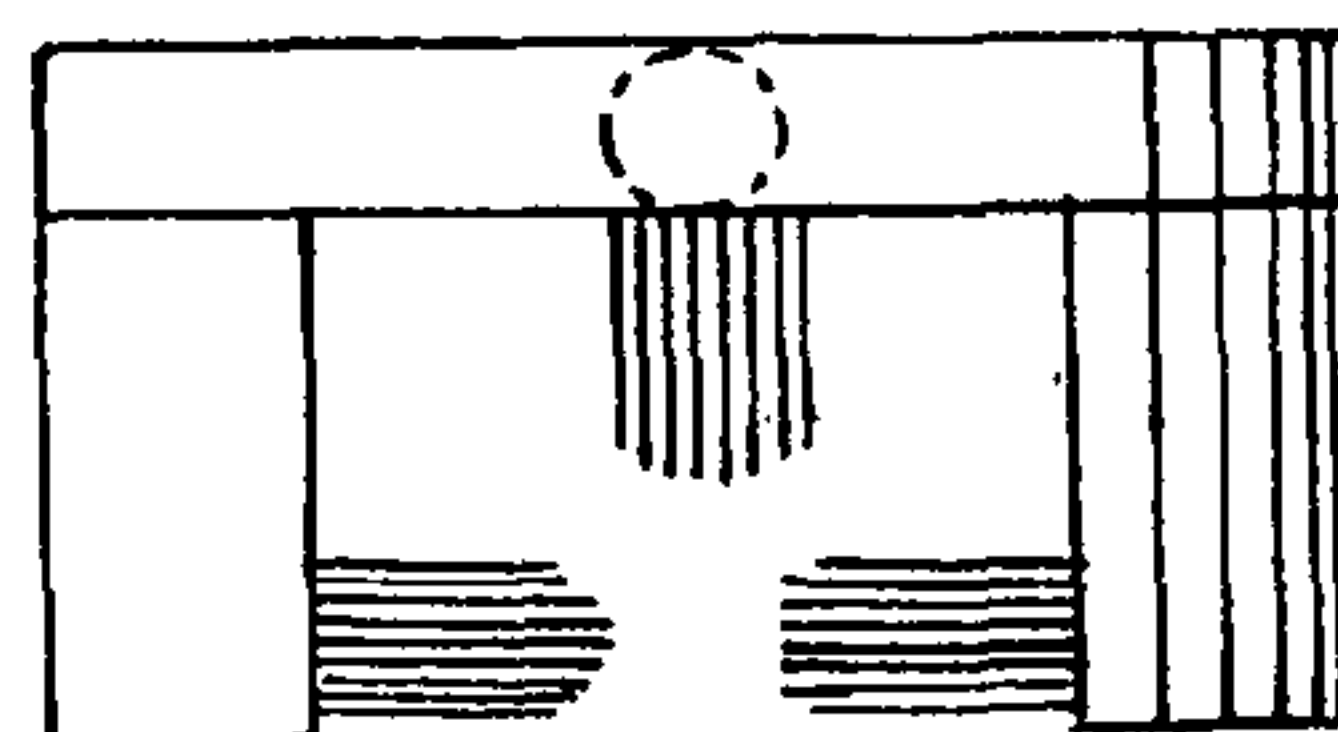


FIG. 5



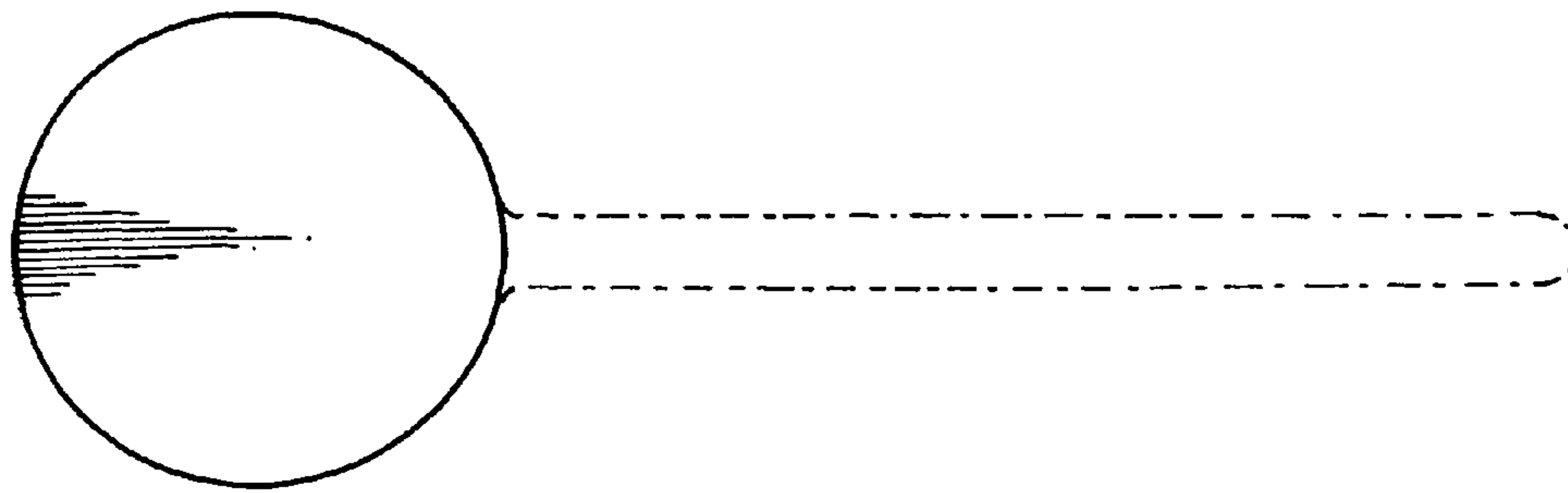


FIG.6