



US00D653034S

(12) **United States Design Patent**
Ferreira-Godinho

(10) **Patent No.:** **US D653,034 S**
(45) **Date of Patent:** **** Jan. 31, 2012**

(54) **CARRIER FOR GOLF CLUBS**
(75) **Inventor:** **Manuel Ferreira-Godinho**, Hameln (DE)

4,747,490 A 5/1988 Smith 206/542
5,209,539 A 5/1993 Atalay 294/143
6,032,999 A * 3/2000 York et al. 294/143
D604,509 S * 11/2009 Andrews D3/259

(73) **Assignee:** **Manuel-Ferreira-Godinho GmbH & Co. KG**, Hameln (DE)

FOREIGN PATENT DOCUMENTS
EP 1648574 4/2006
* cited by examiner

(**) **Term:** **14 Years**

Primary Examiner — Holly Baynham
(74) *Attorney, Agent, or Firm* — Gerald T. Bodner

(21) **Appl. No.:** **29/370,978**

(22) **Filed:** **Sep. 28, 2010**

(57) **CLAIM**
The ornamental design for a carrier for golf clubs, as shown and described.

(30) **Foreign Application Priority Data**

Apr. 30, 2010 (EM) 001702879

(51) **LOC (9) Cl.** **03-01**

(52) **U.S. Cl.** **D3/320**

(58) **Field of Classification Search** D3/254,
D3/259; 206/315.2-315.8

See application file for complete search history.

DESCRIPTION

FIG. 1 is a top perspective view of a carrier for golf clubs showing my new design;
FIG. 2 is a left perspective view thereof;
FIG. 3 is a right perspective view thereof;
FIG. 4 is a top plan view thereof;
FIG. 5 is a rear elevational view thereof;
FIG. 6 is a bottom perspective view thereof;
FIG. 7 is a top plan view thereof, showing a drawer thereof in an open position; and,
FIG. 8 is a bottom plan view thereof.

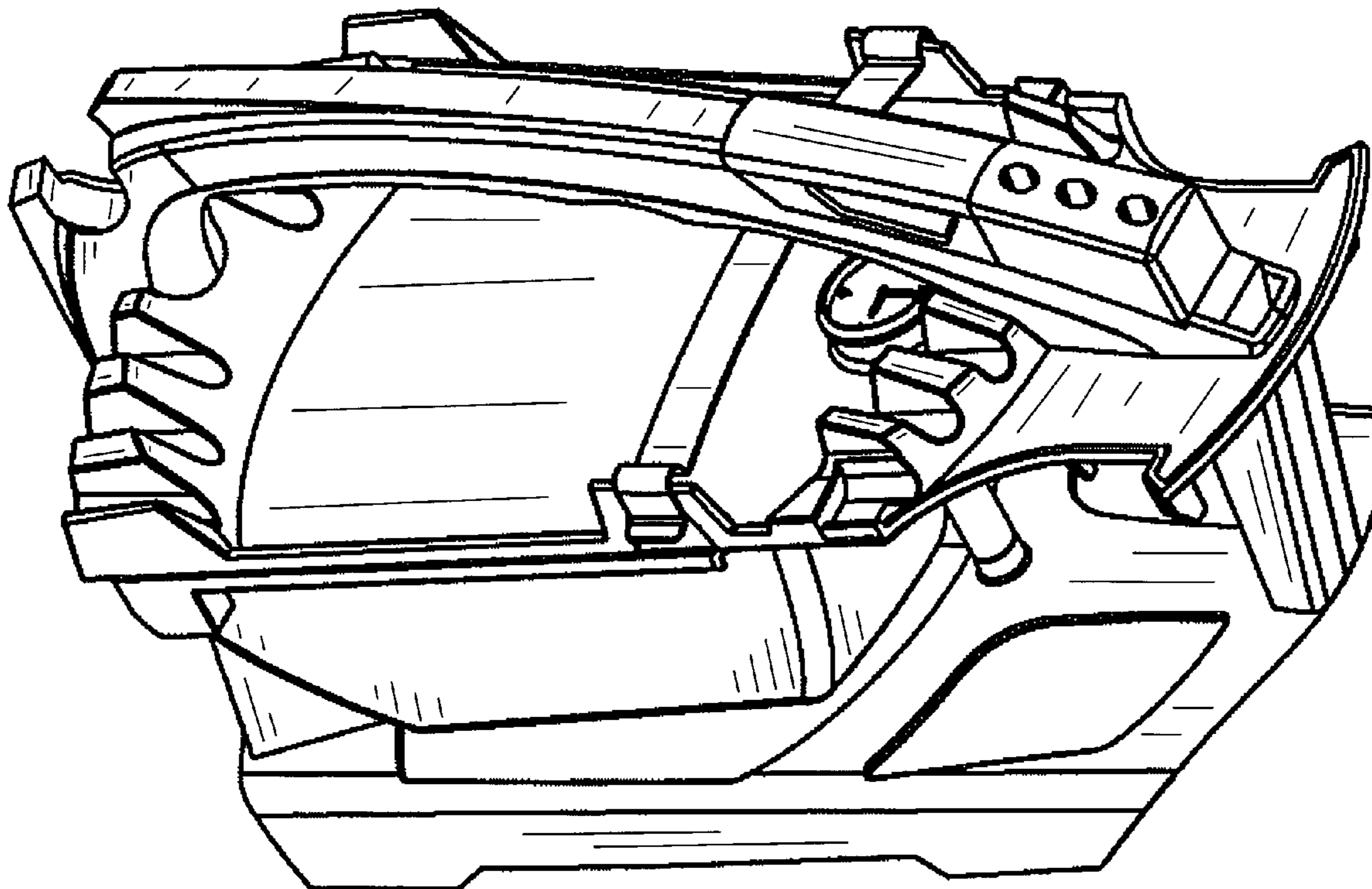
The broken line showing of the drawer of the carrier for golf clubs is for the purposes of illustrating environment and forms no part of the claimed design.

(56) **References Cited**

U.S. PATENT DOCUMENTS

2,267,226 A 12/1941 White 211/70.2
2,990,865 A 7/1961 Steele 211/70.2
3,215,181 A 11/1965 Reed 211/70.2
3,219,083 A 11/1965 Asquith 206/315.2
3,399,939 A 9/1968 Anderson 312/216
D251,140 S * 2/1979 Leitzel D3/255

1 Claim, 8 Drawing Sheets



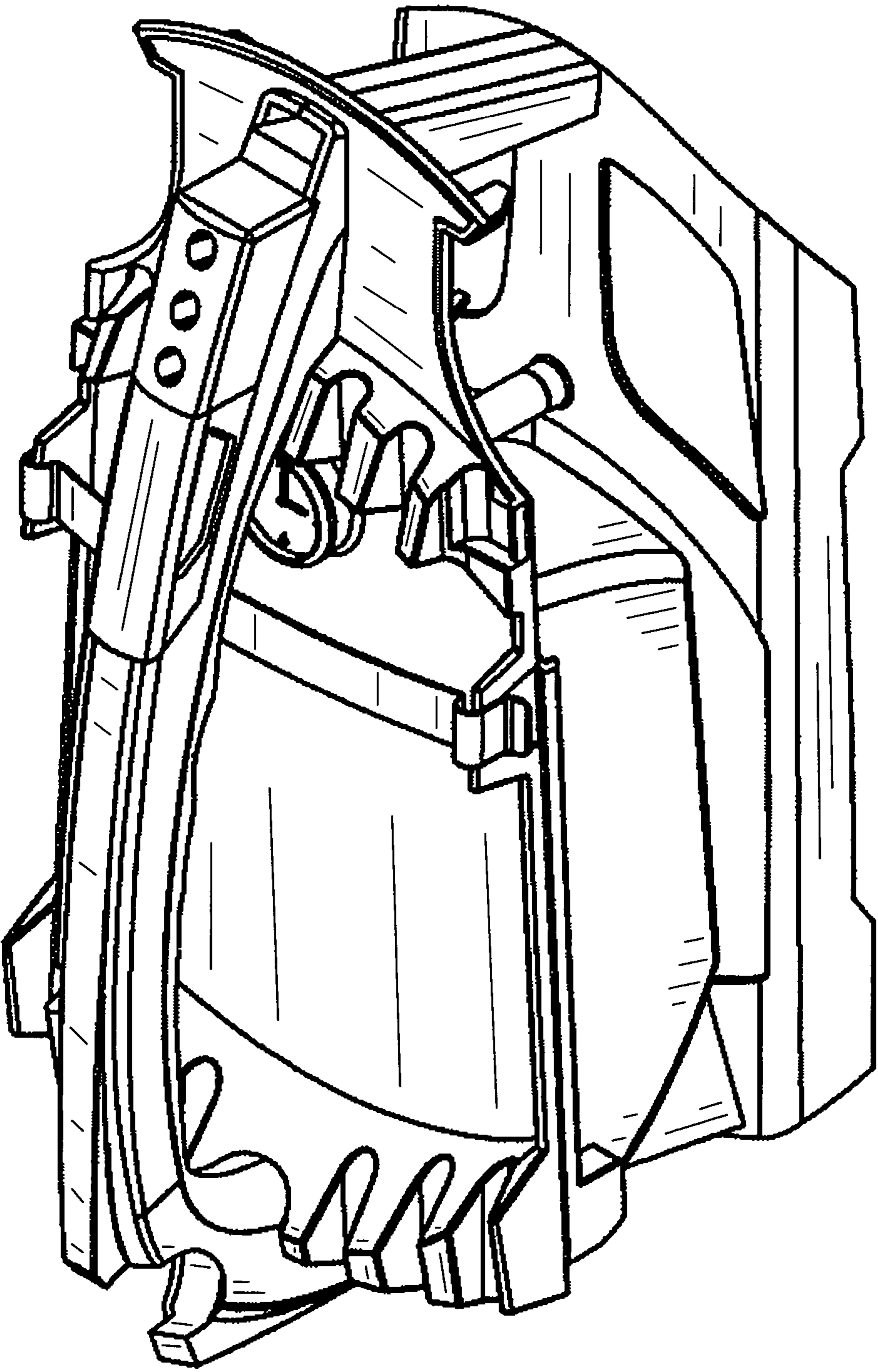


Fig.1

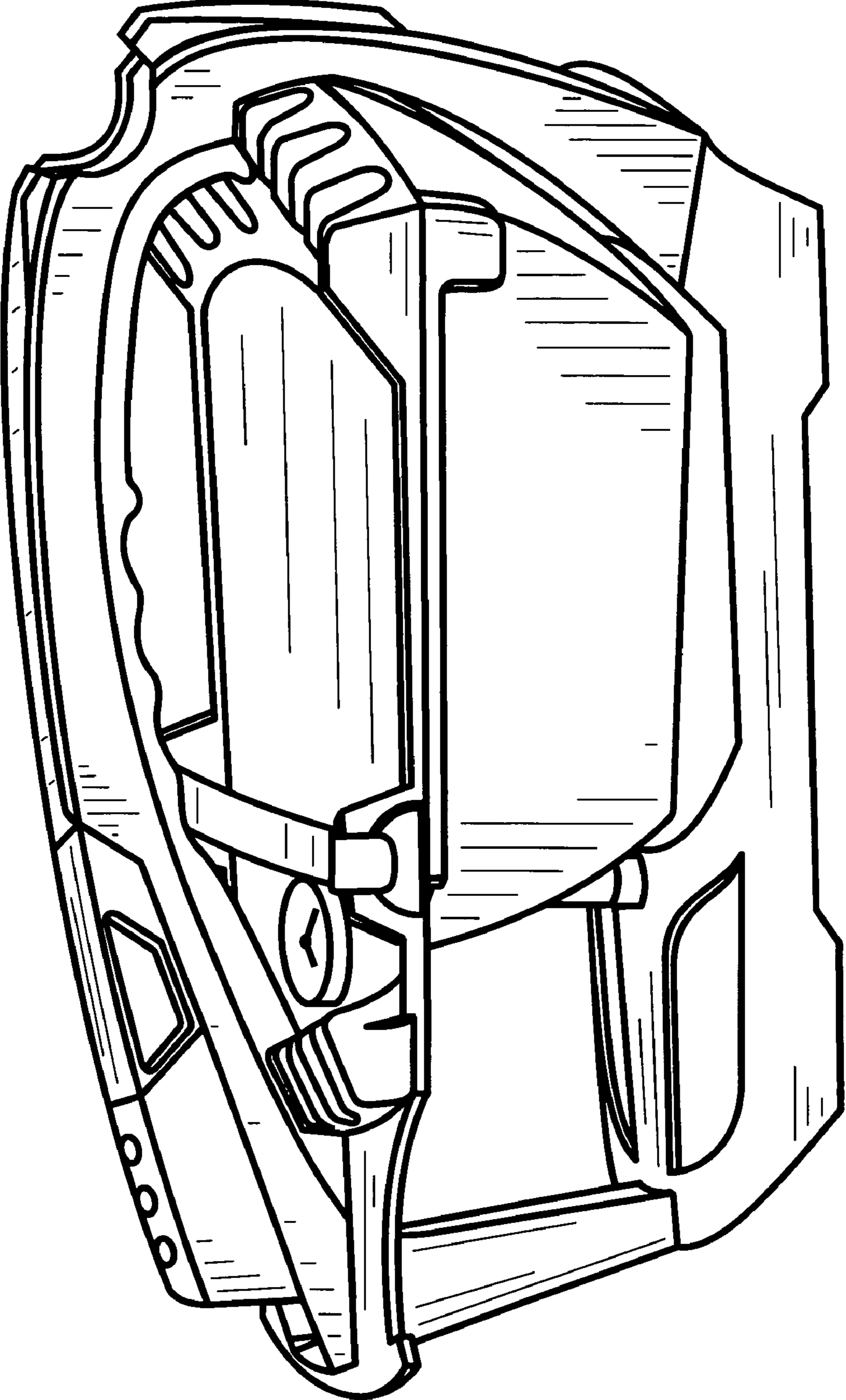


Fig. 2

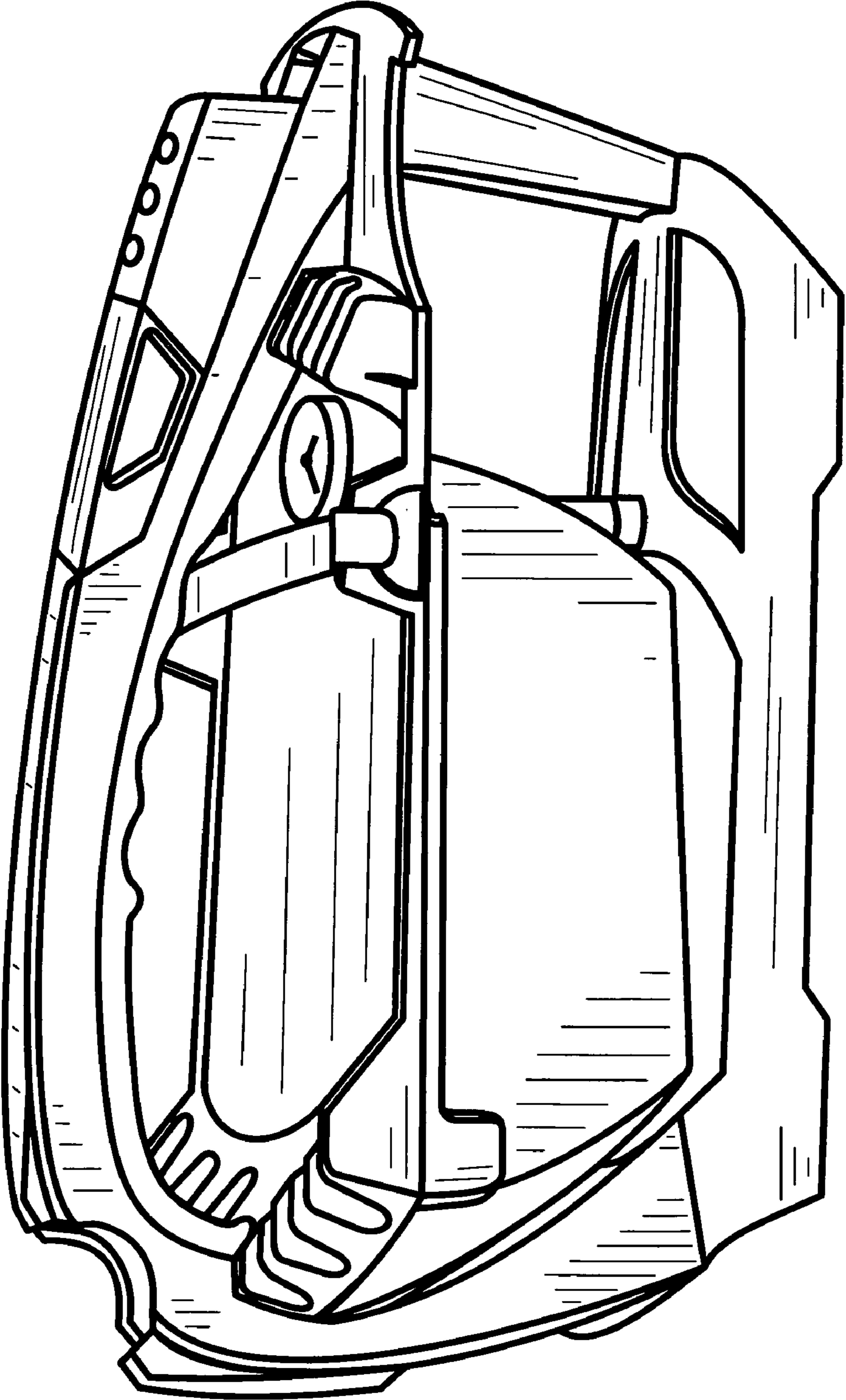


Fig. 3

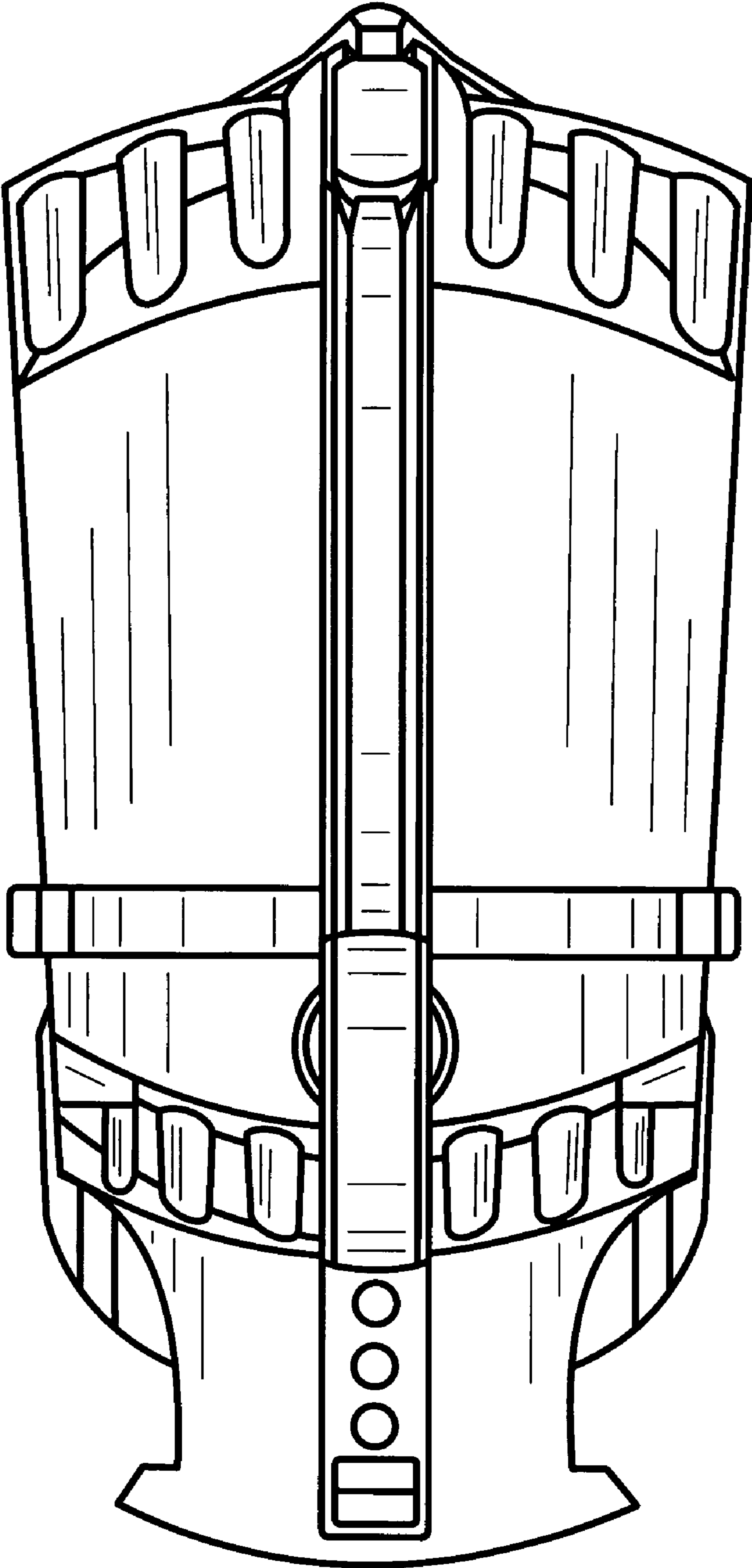


Fig. 4

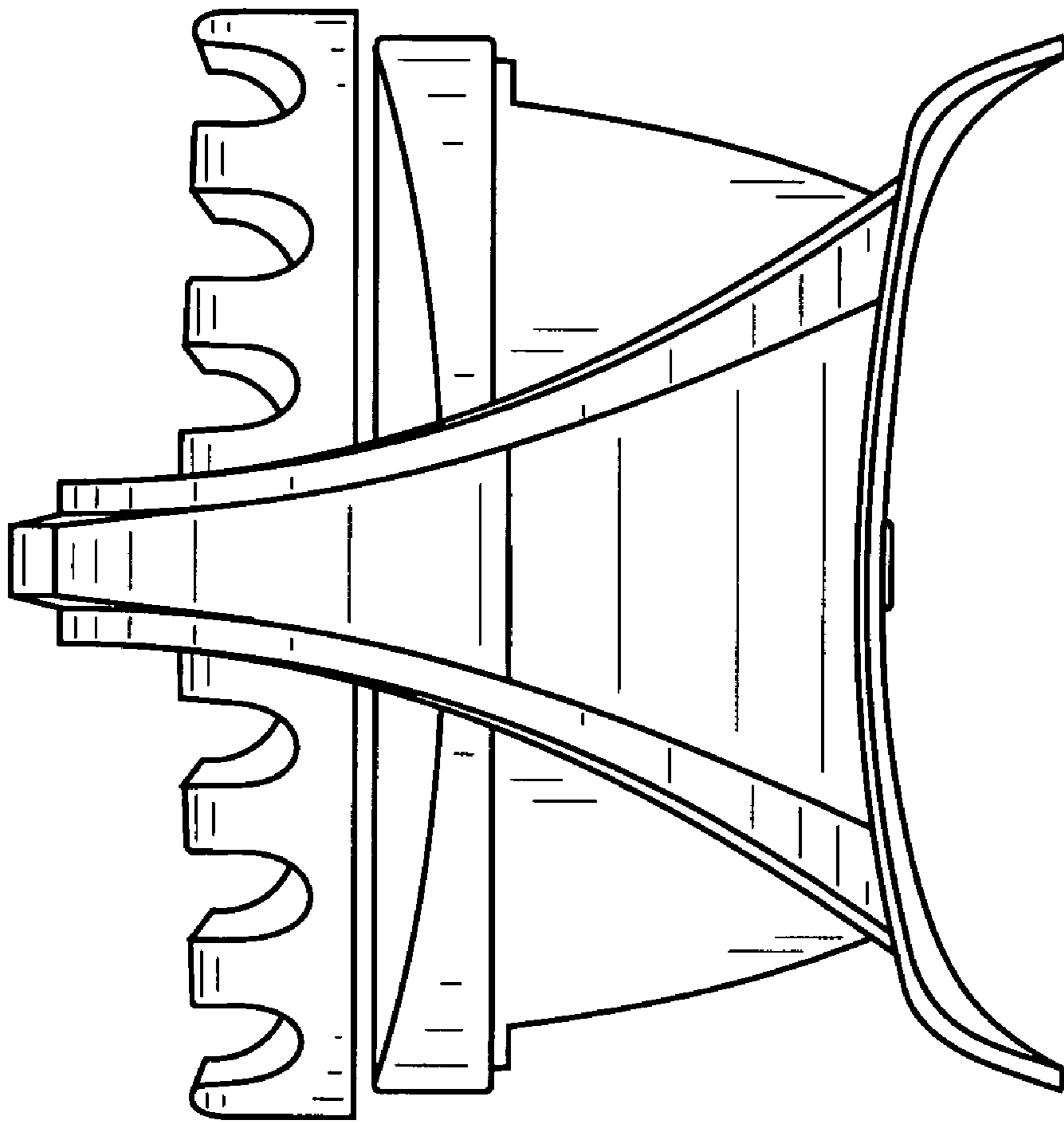


Fig. 5

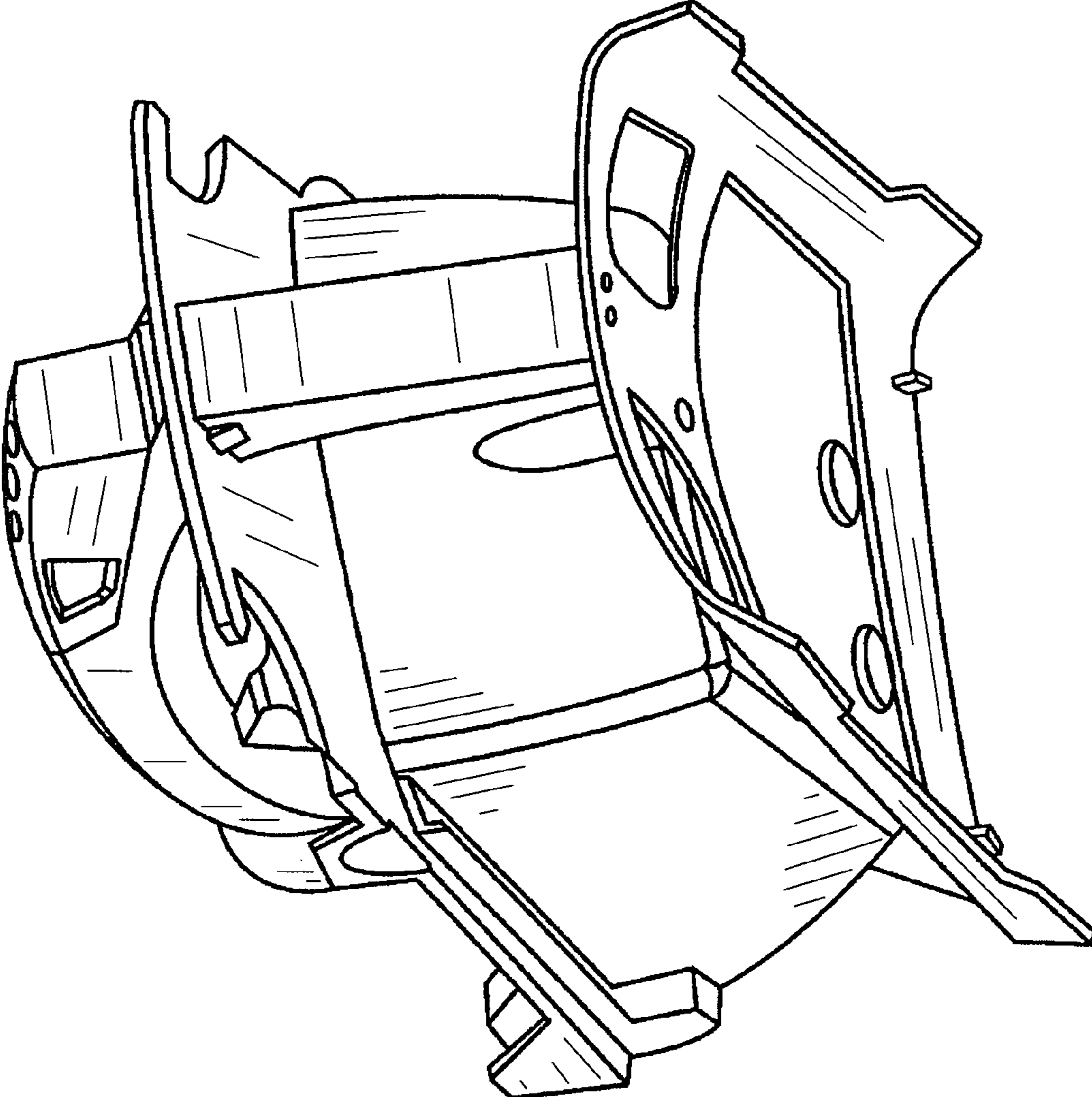


Fig. 6

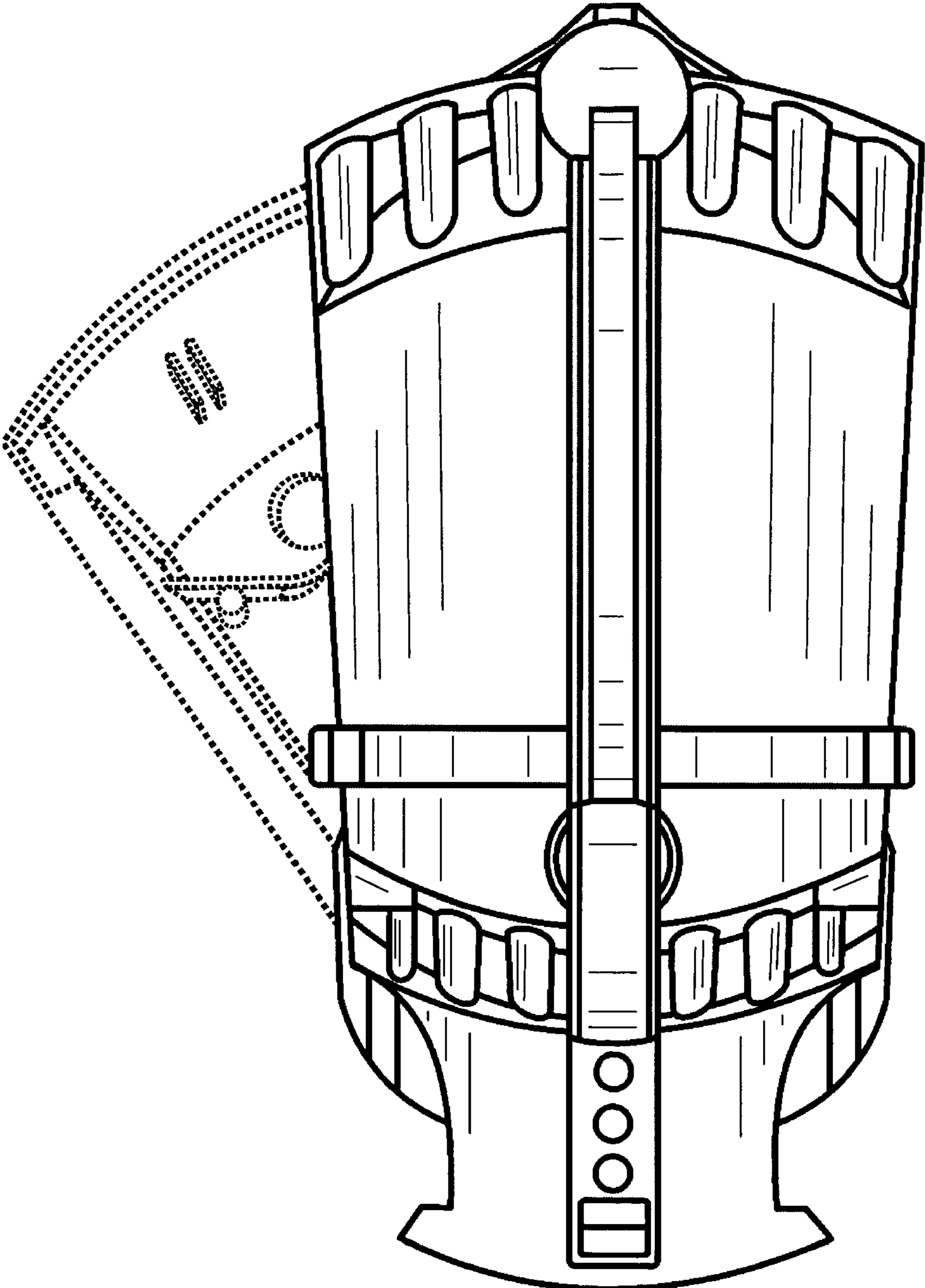


Fig. 7

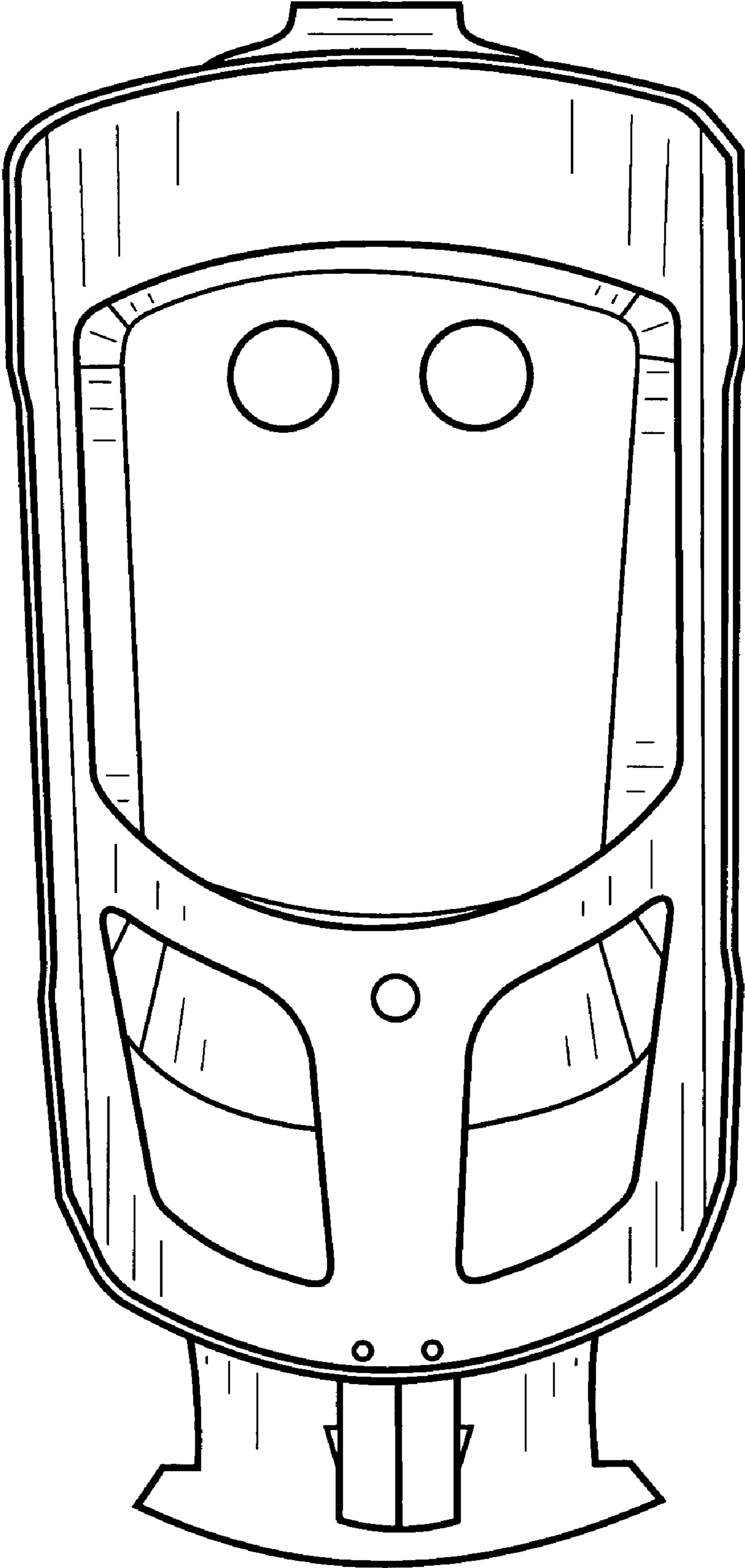


Fig. 8