



US00D653026S

(12) **United States Design Patent**  
**Kelly**

(10) **Patent No.:** **US D653,026 S**  
(45) **Date of Patent:** **\*\* Jan. 31, 2012**

(54) **STORAGE DEVICE**

(76) Inventor: **Joseph Patrick Kelly**, Blackrock (IE)

(\*\*) Term: **14 Years**

(21) Appl. No.: **29/352,819**

(22) Filed: **Dec. 28, 2009**

(51) **LOC (9) Cl.** ..... **03-02**

(52) **U.S. Cl.** ..... **D3/217**

(58) **Field of Classification Search** ..... D3/201,  
D3/205, 206, 215-217, 221, 226, 227, 232,  
D3/245, 246, 254; 206/349, 372, 373, 379;  
312/902; 224/657

See application file for complete search history.

(56) **References Cited**

**U.S. PATENT DOCUMENTS**

4,848,618	A *	7/1989	Yuan et al.	220/1.5
D325,278	S *	4/1992	van der Vlies	D3/305
D353,714	S *	12/1994	Stromberg	D3/305
D355,073	S *	2/1995	Junaedi	D3/305
D381,513	S *	7/1997	Brauner	D3/305
5,671,857	A *	9/1997	Stromberg	220/7
D413,439	S *	9/1999	Bell	D3/272
D442,779	S *	5/2001	Koefeldt et al.	D3/273
D537,249	S *	2/2007	Shapiro et al.	D3/305
D553,858	S *	10/2007	Sabanci	D3/305
D594,232	S *	6/2009	Wyse	D3/321
7,861,879	B2 *	1/2011	Samprathi	220/7
2007/0210083	A1 *	9/2007	Li	220/6

\* cited by examiner

*Primary Examiner* — Ian Simmons

*Assistant Examiner* — Charles Hanson

(74) *Attorney, Agent, or Firm* — Brian S. Steinberger; Law Offices of Brian S. Steinberger

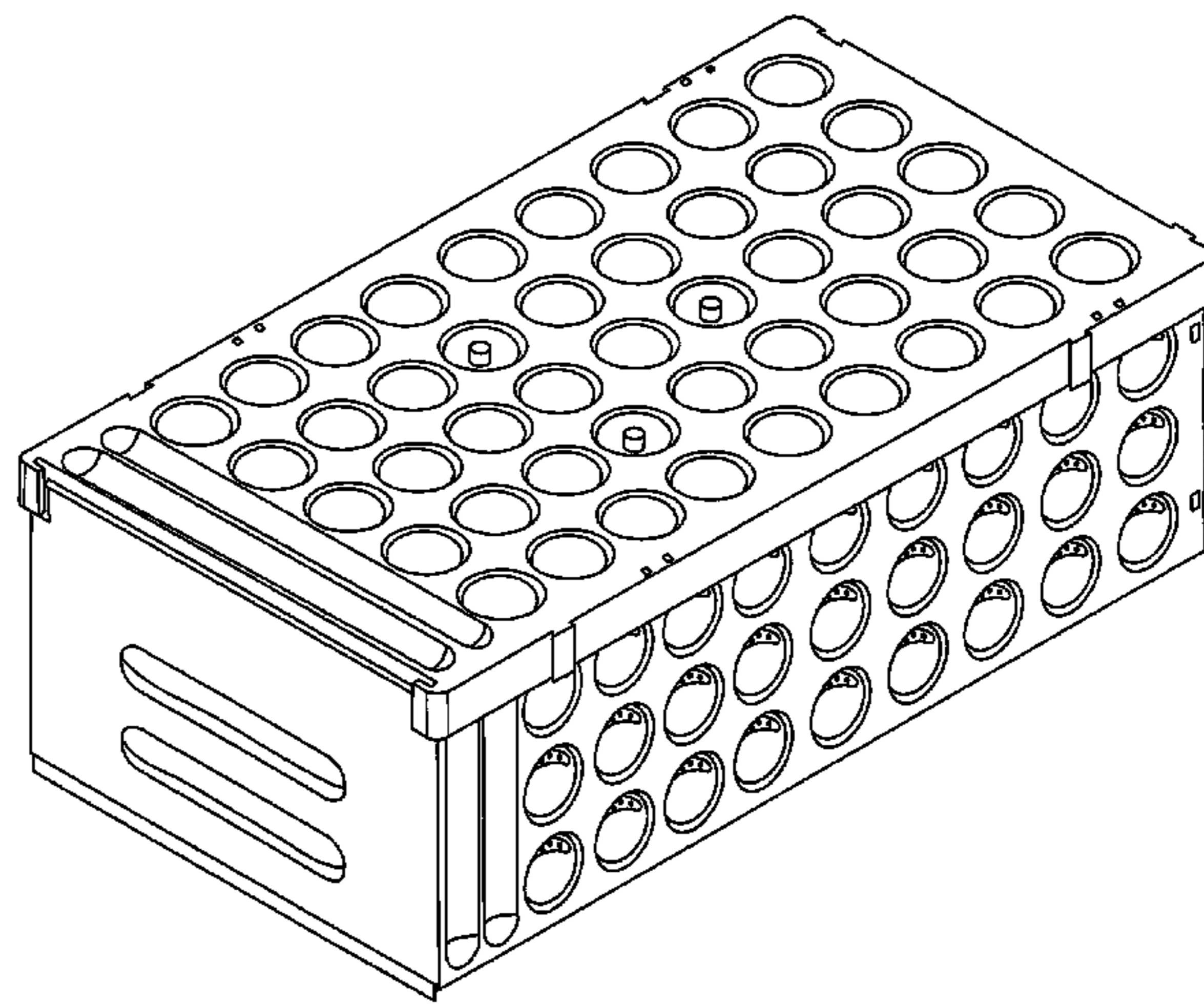
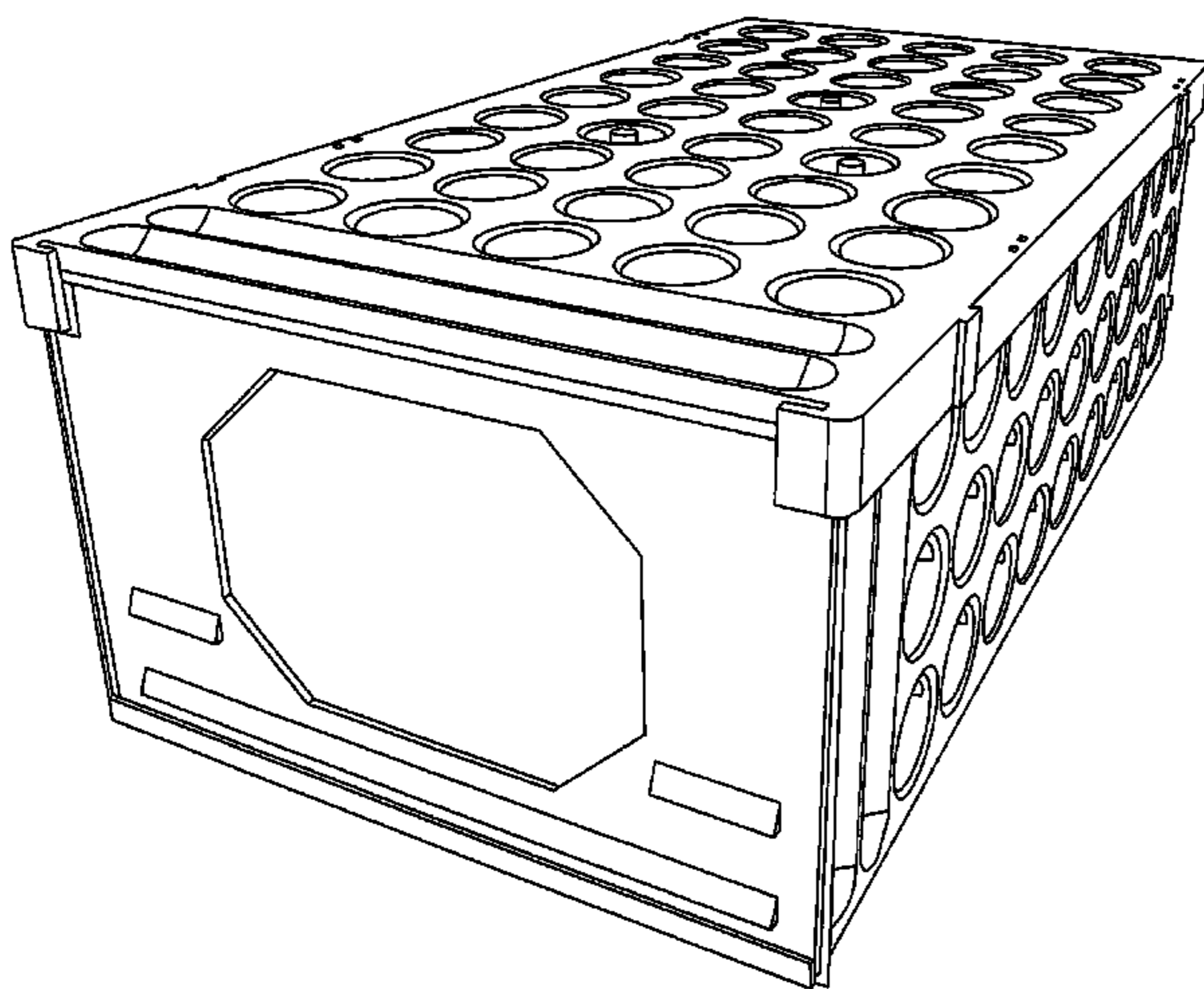
(57) **CLAIM**

The ornamental design for storage device, as shown and described.

**DESCRIPTION**

FIG. 1 is a perspective view of a first embodiment of a storage device showing my new design;  
 FIG. 2 is a perspective view of a second embodiment of a storage device;  
 FIG. 3 is a perspective view of the device of FIGS. 1 and 2 thereof, in collapsed state;  
 FIG. 4 is a top view thereof;  
 FIG. 5 is a bottom view thereof;  
 FIG. 6 is a front end view of FIG. 2;  
 FIG. 7 is a rear end view of the device of FIGS. 1 and 2;  
 FIG. 8 is a side view thereof;  
 FIG. 9 is a perspective view of the bottom sides and rear end thereof, in a flat expanded state;  
 FIG. 10 is a perspective view of the bottom sides and rear end thereof, in an assembled state;  
 FIG. 11 is a top perspective view of the top thereof;  
 FIG. 12 is a bottom perspective view of the top thereof;  
 FIG. 13 is a perspective view thereof, without the front panel for ease of illustration;  
 FIG. 14 is a perspective view of the front panel of the device of FIG. 1; and,  
 FIG. 15 is a perspective view of the entire device of FIG. 1, with the front panel in an open state.

**1 Claim, 15 Drawing Sheets**



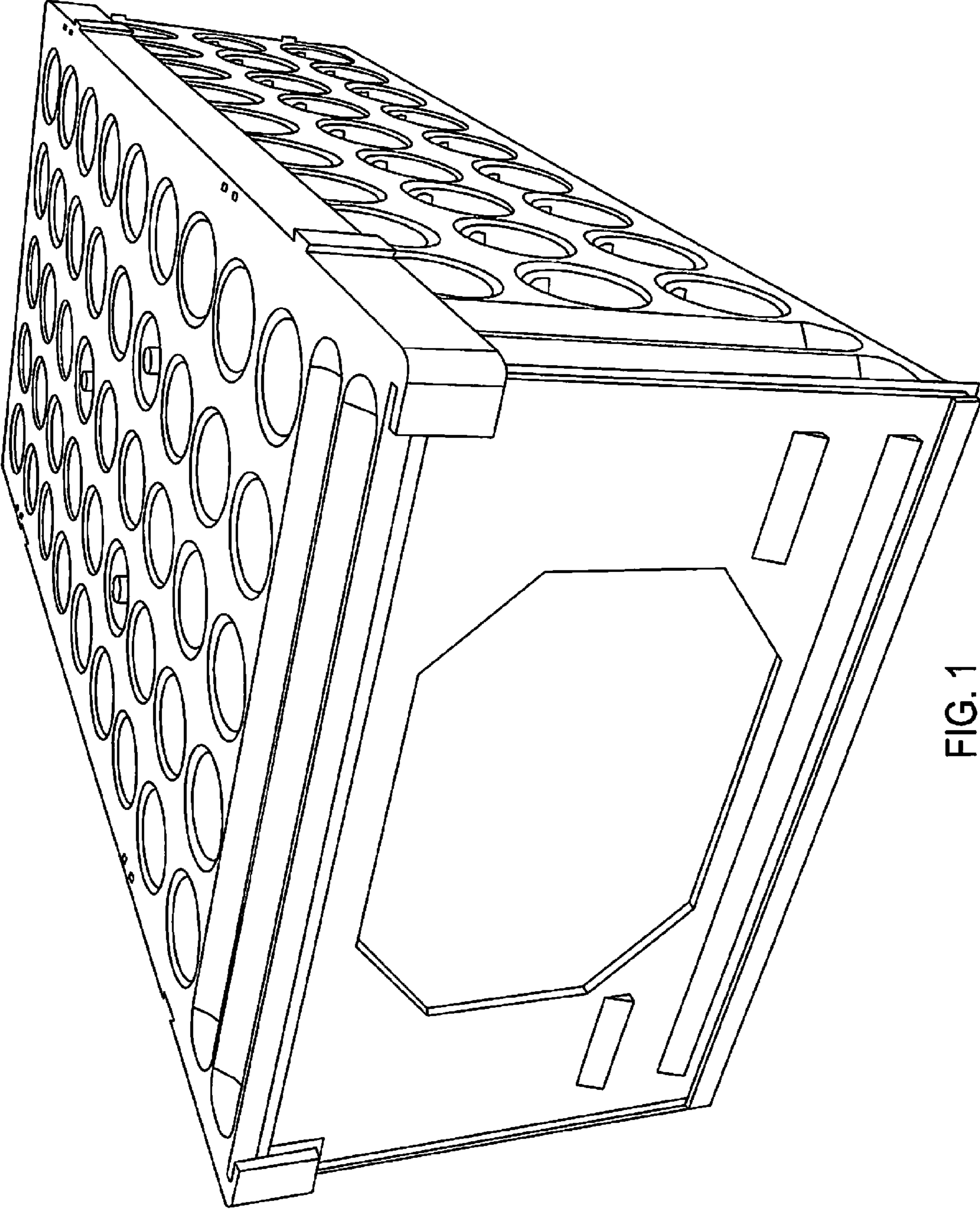


FIG. 1



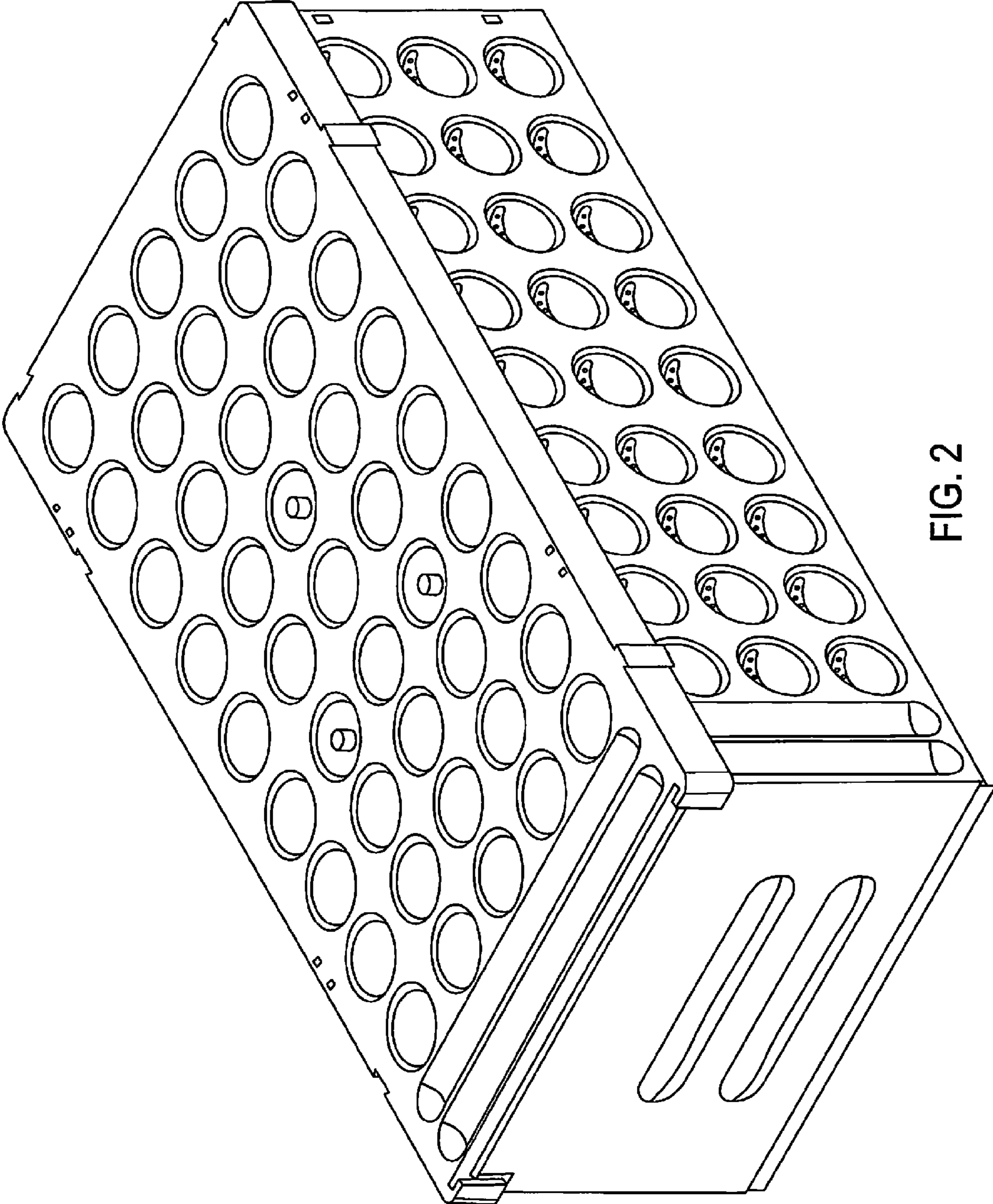


FIG. 2

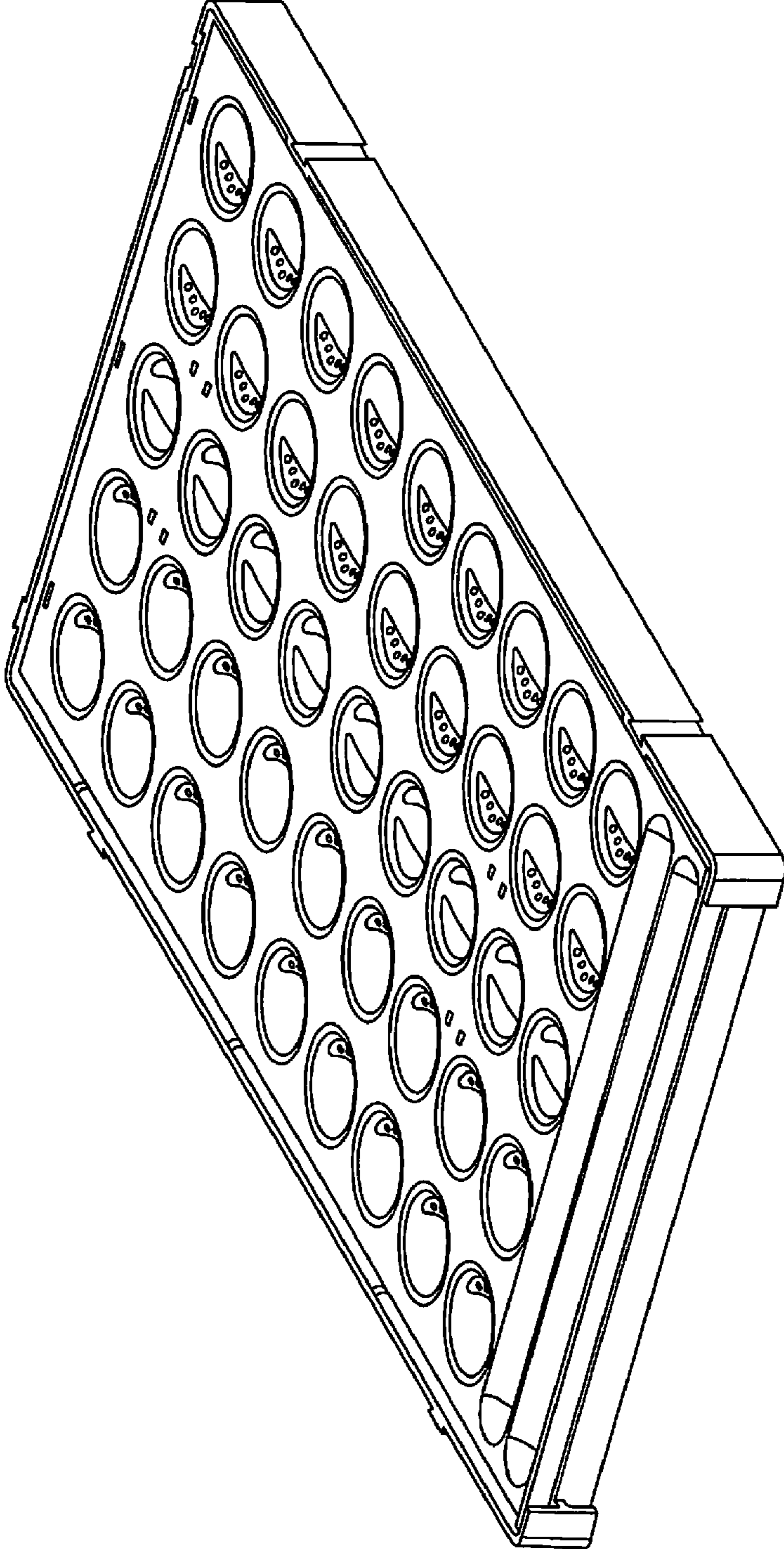


FIG. 3

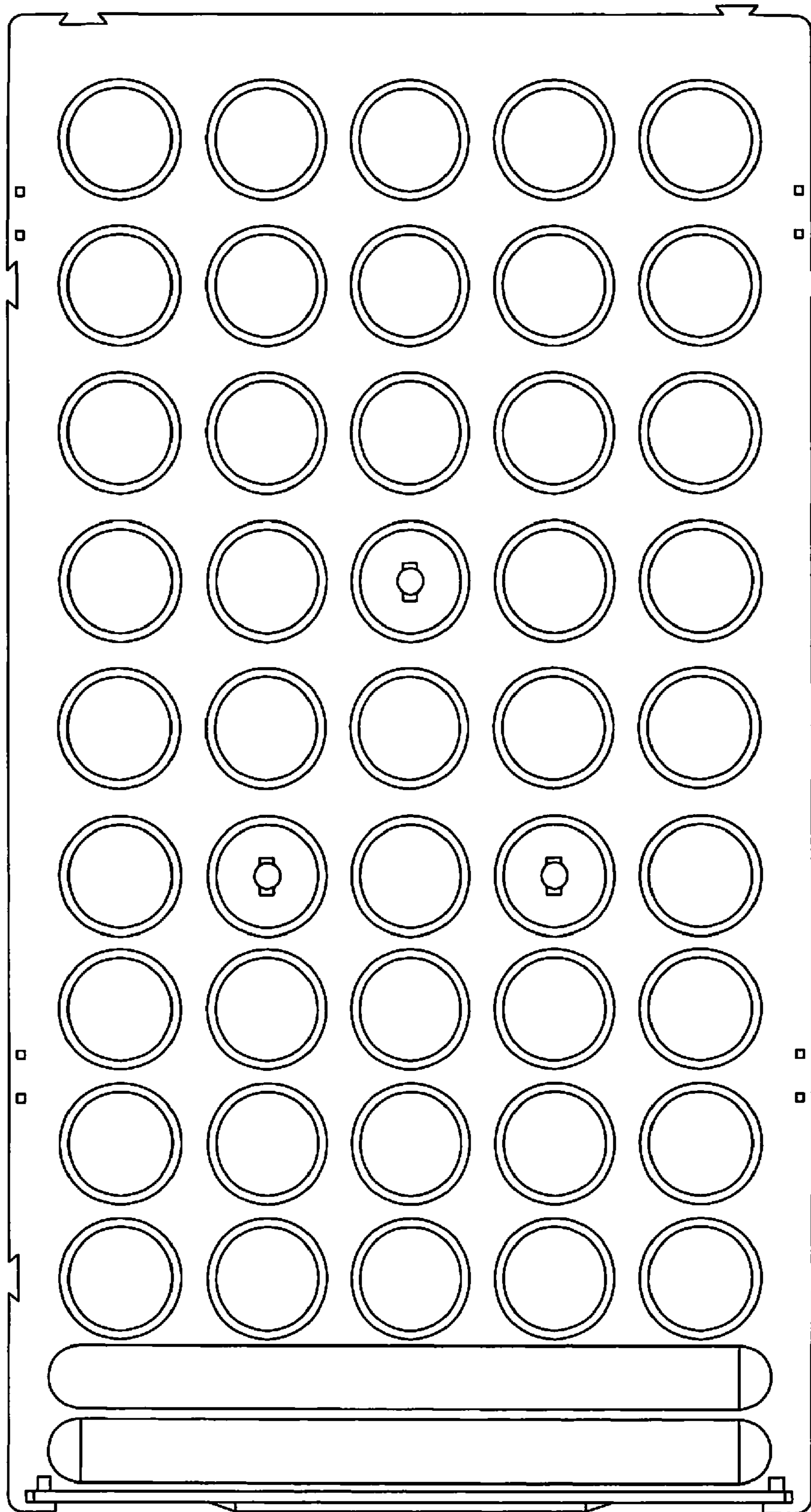


FIG. 4



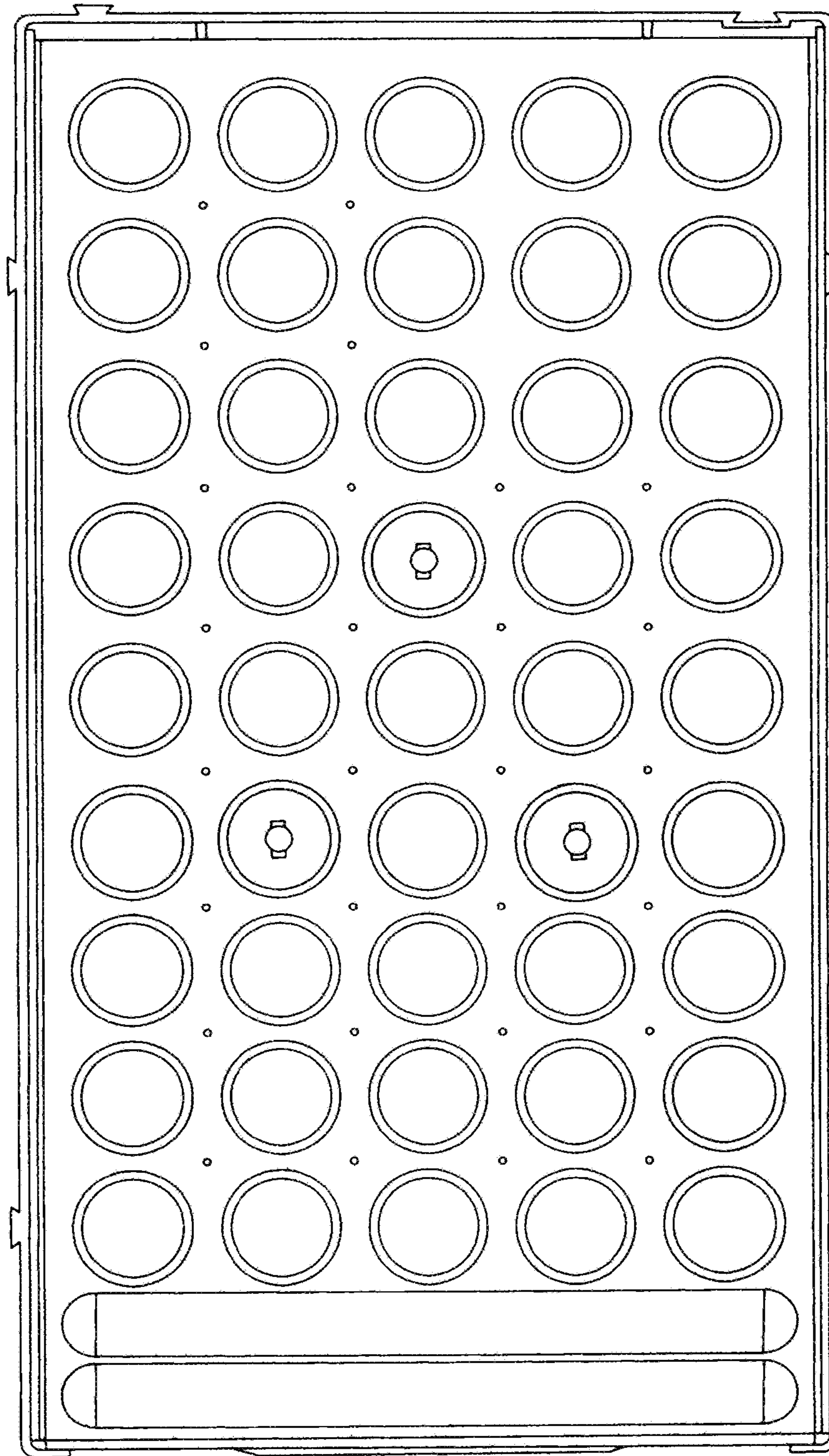


FIG. 5

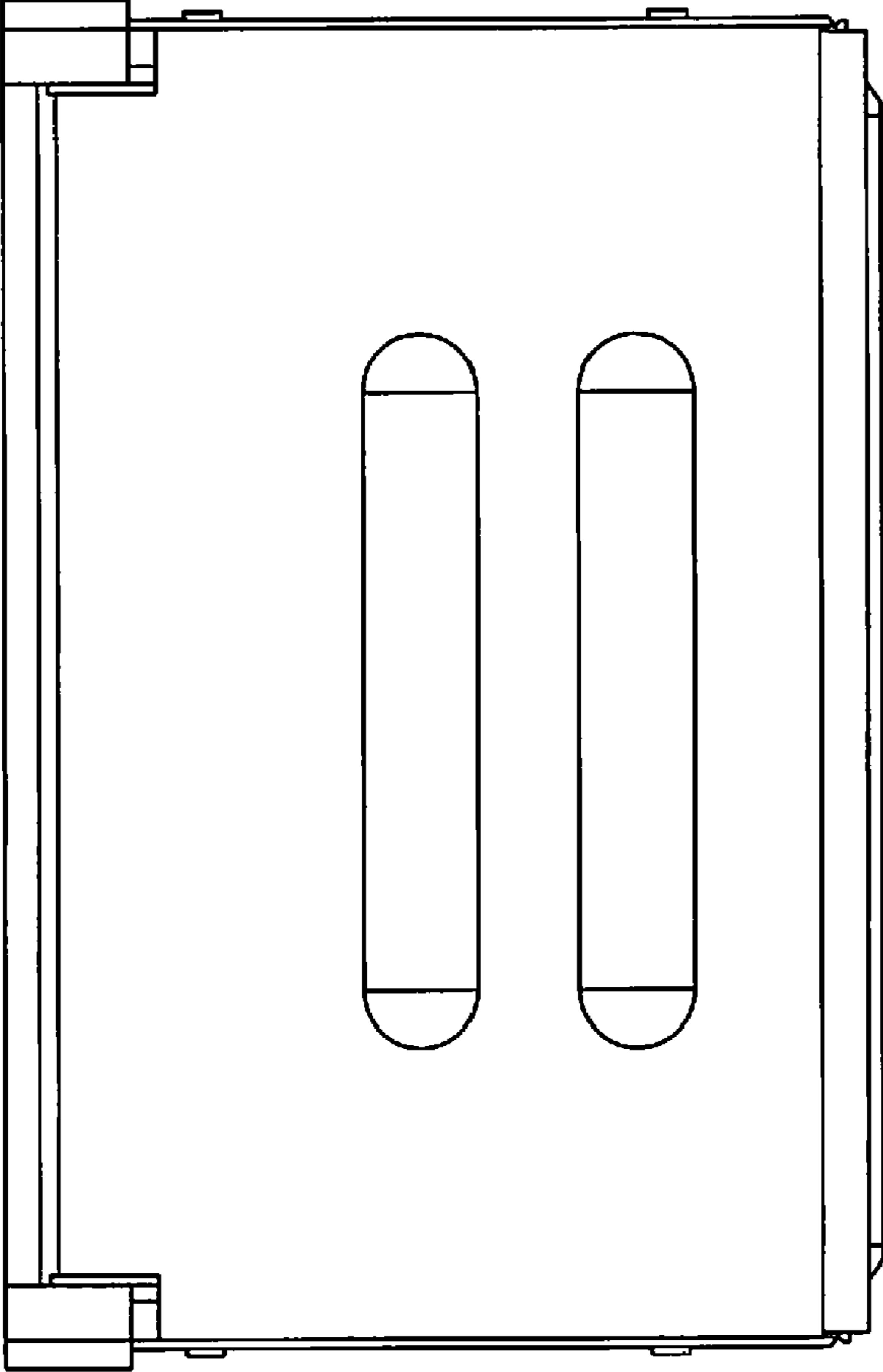


FIG. 6

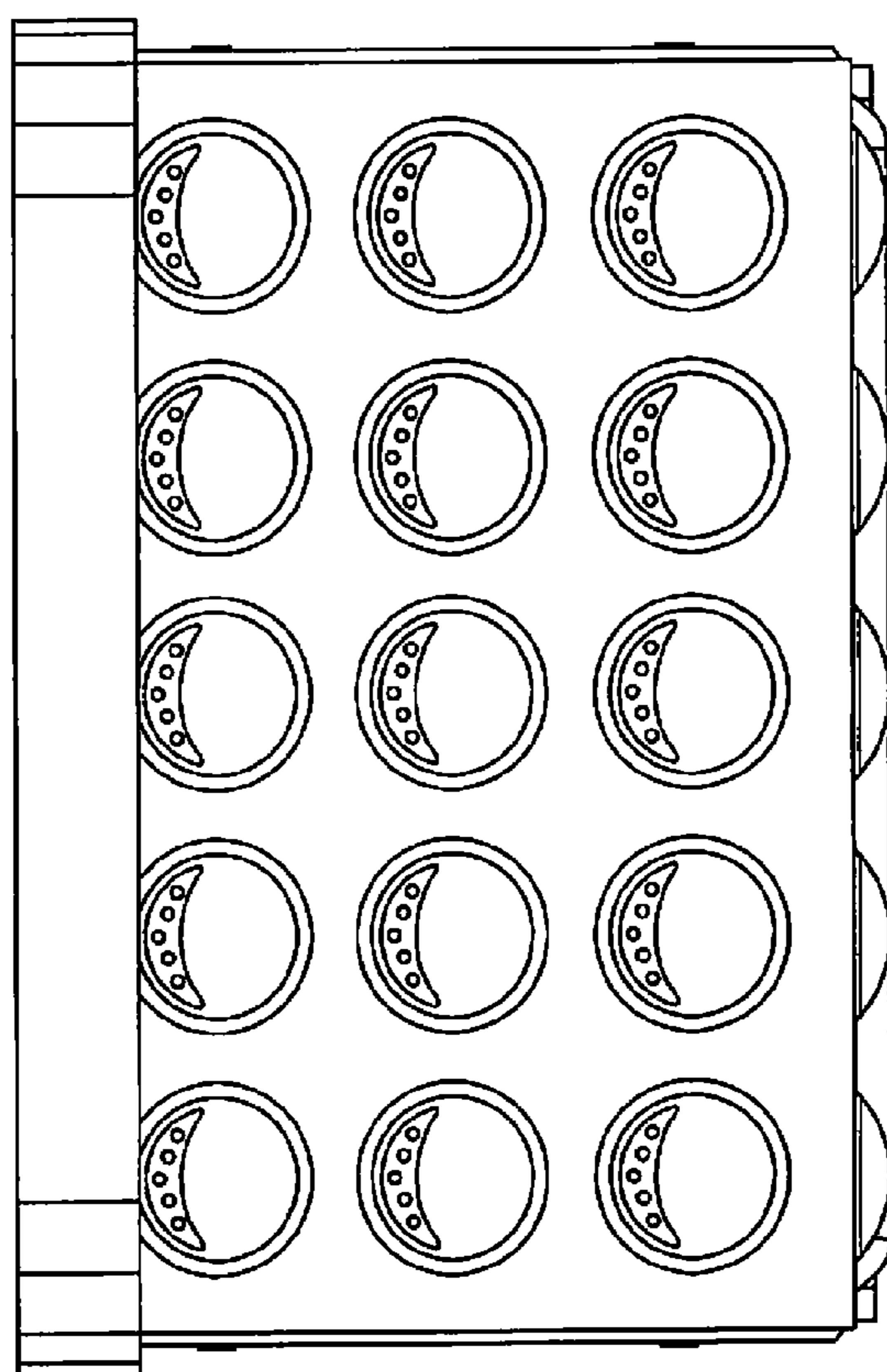


FIG. 7



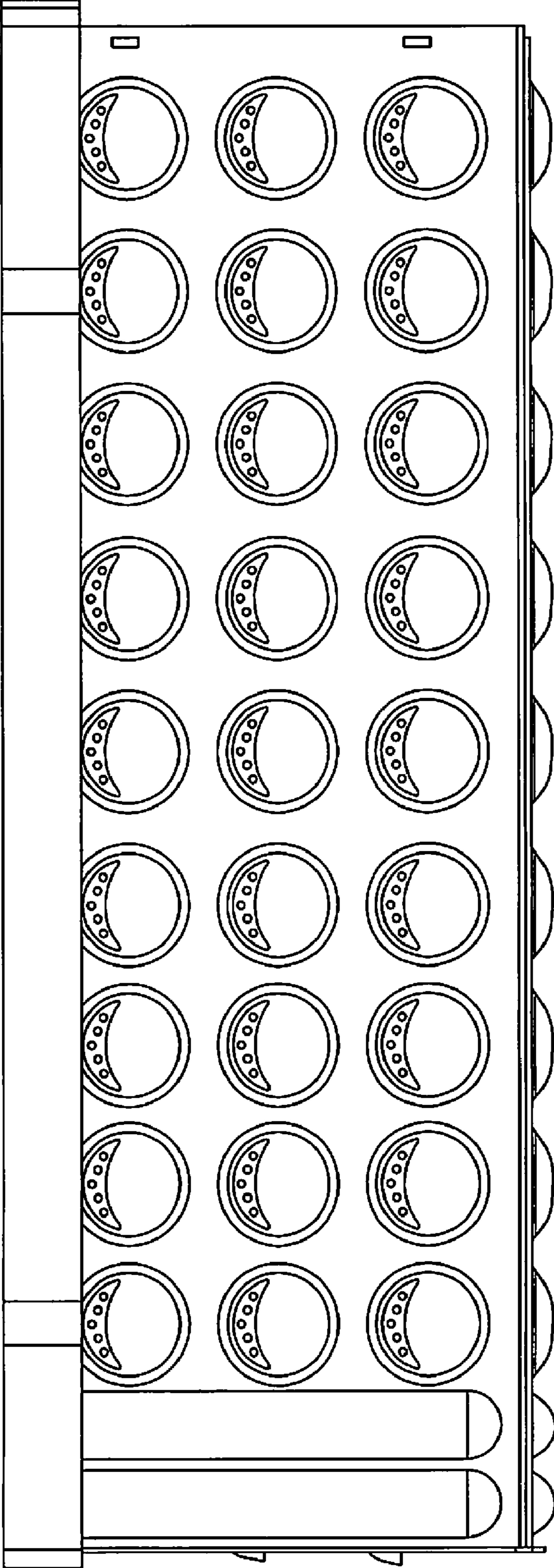


FIG. 8

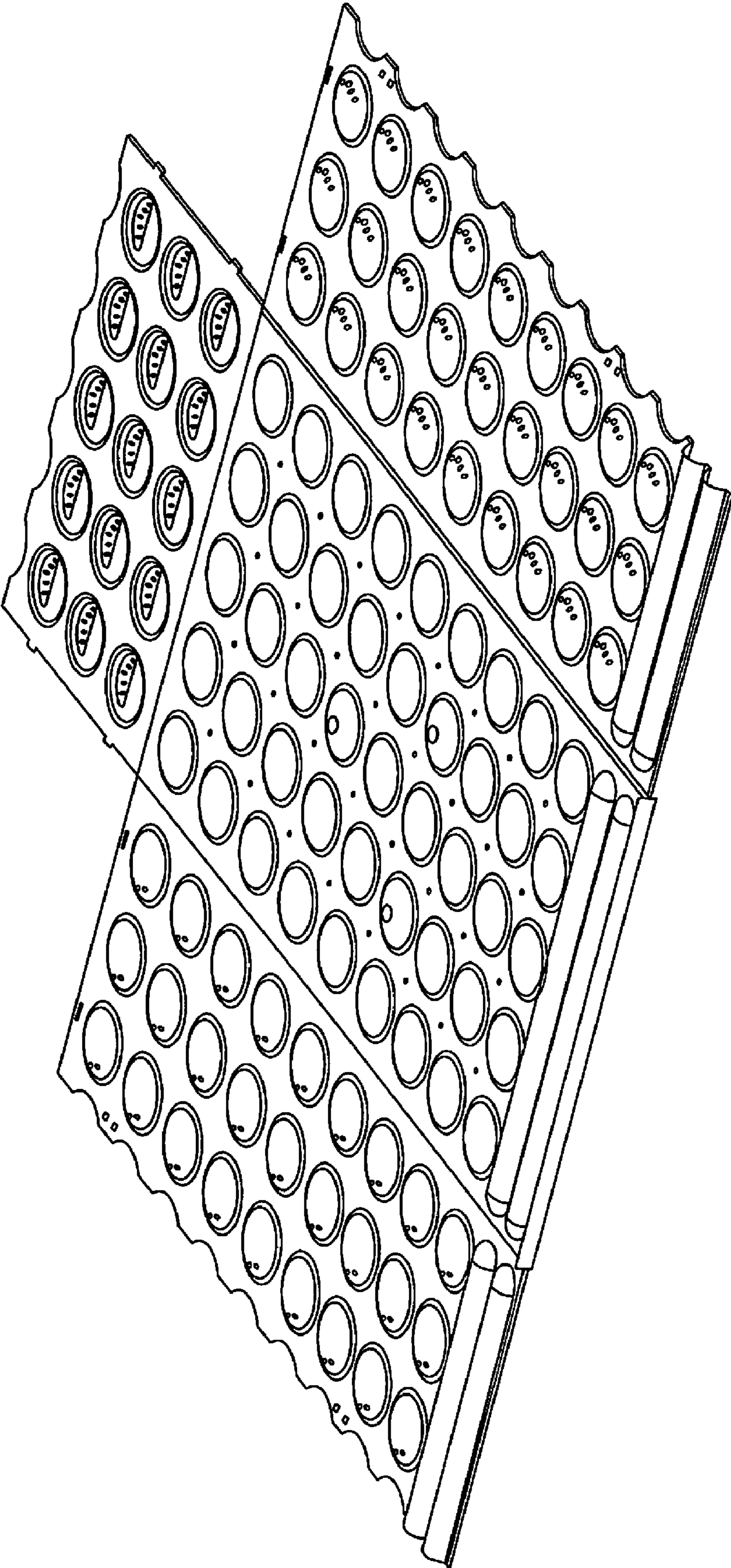


FIG. 9

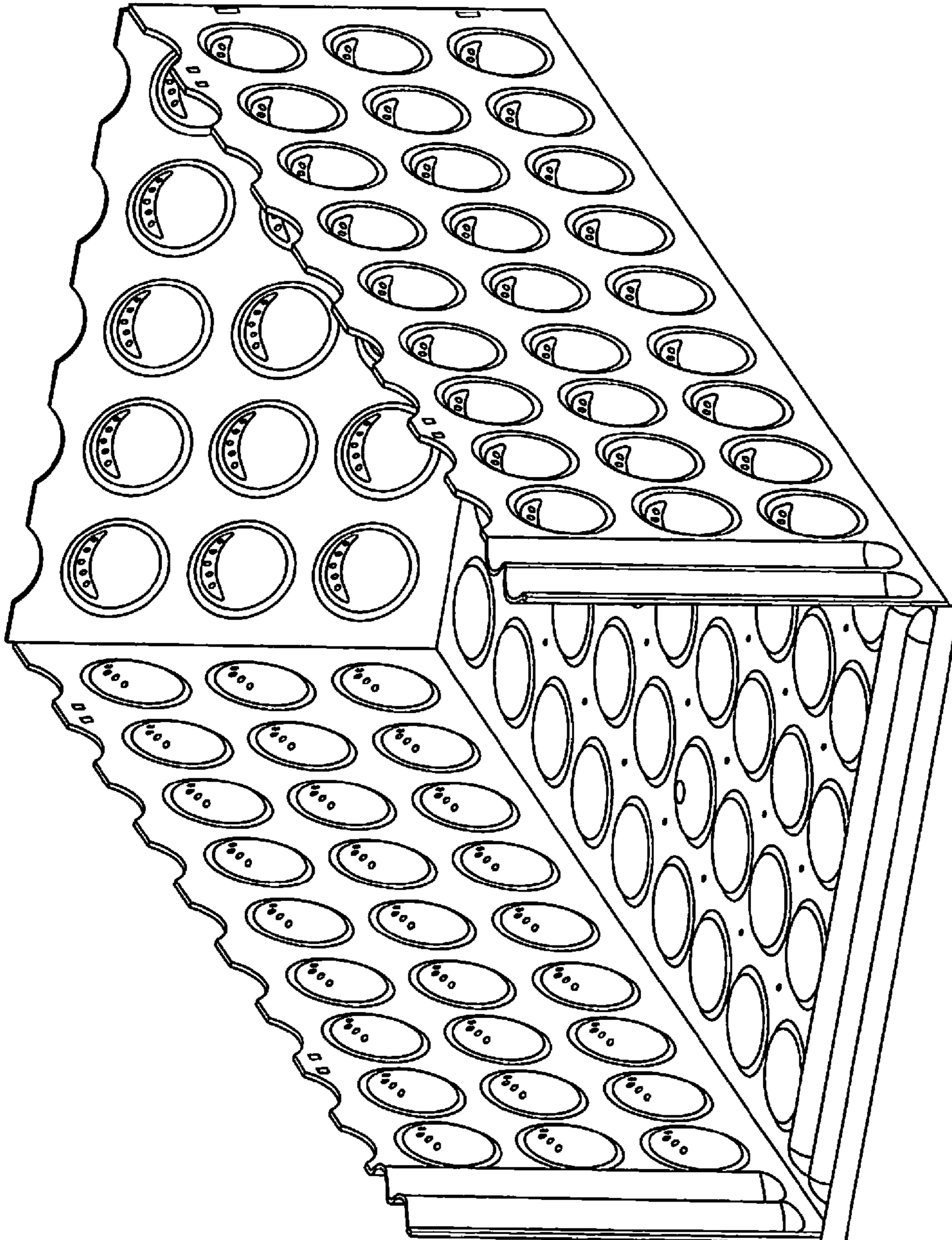


FIG. 10



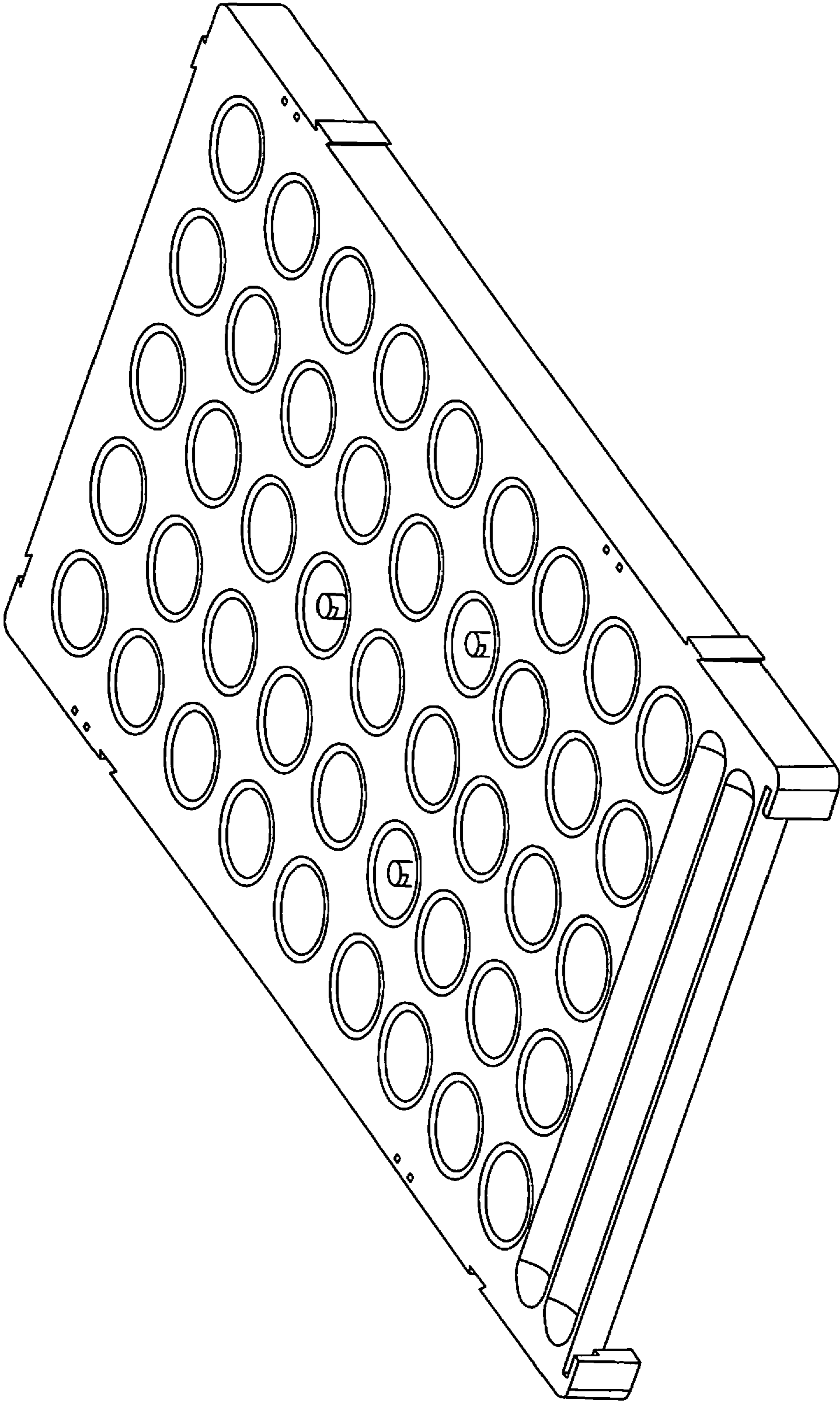


FIG. 11

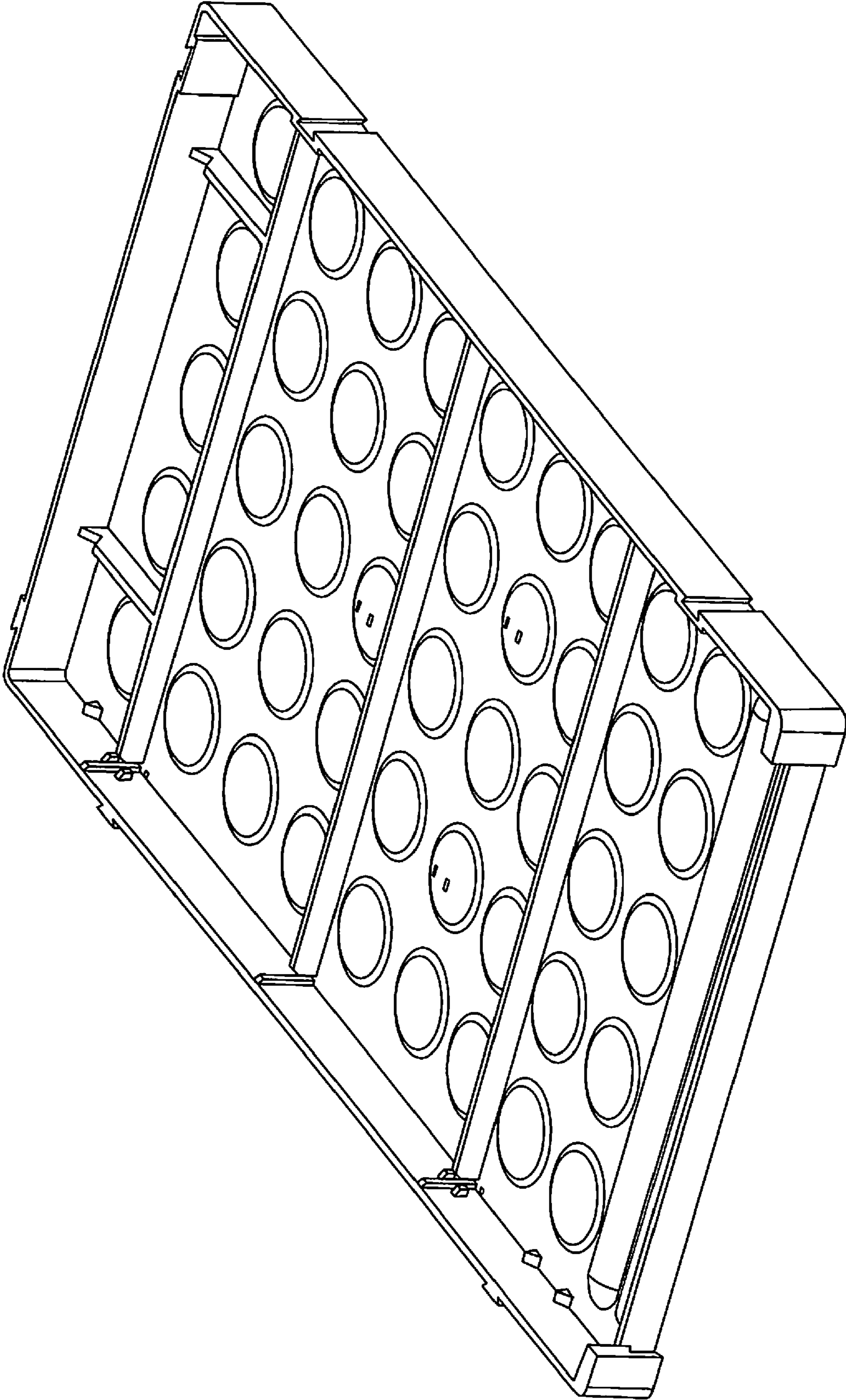


FIG. 12

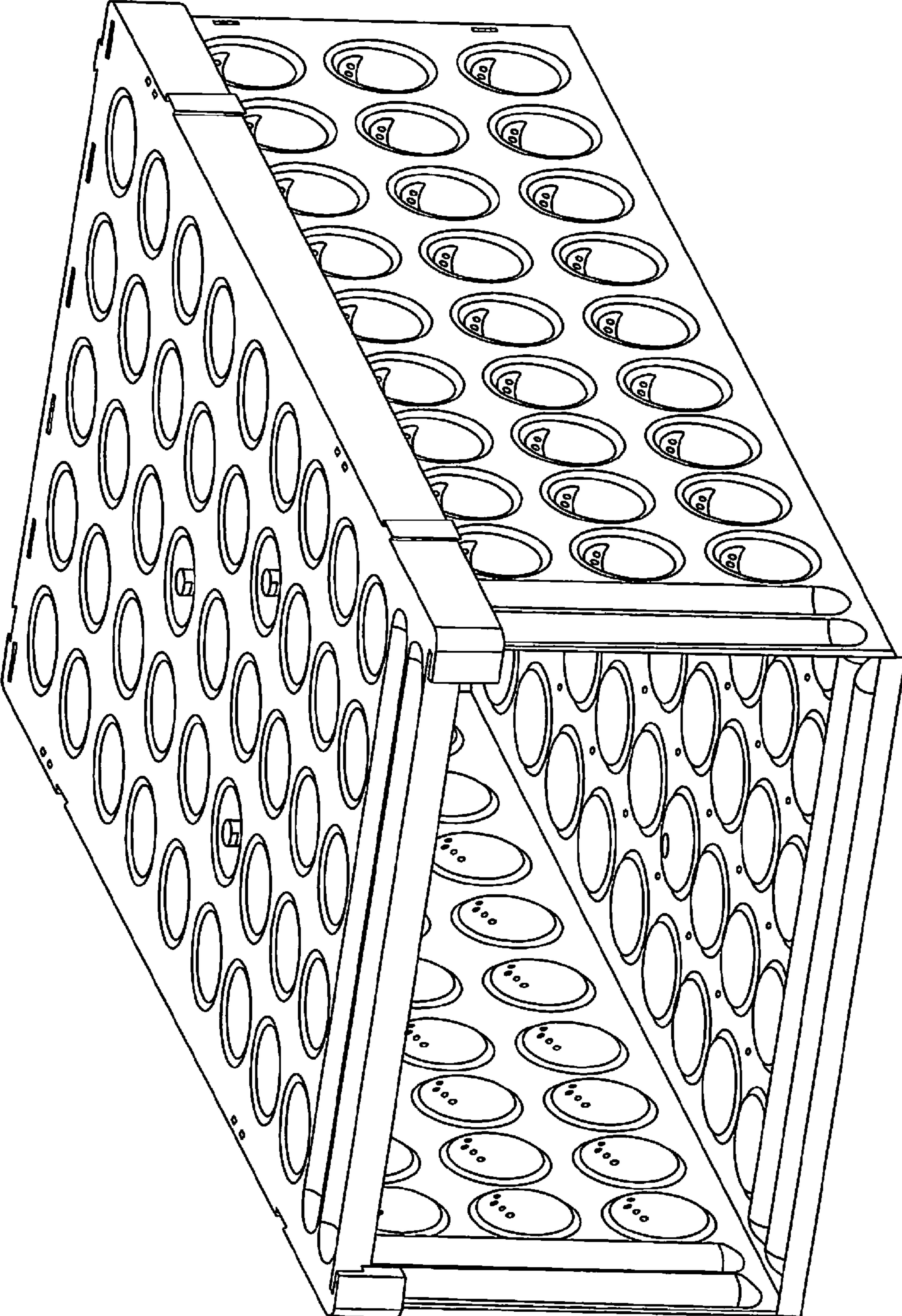


FIG. 13



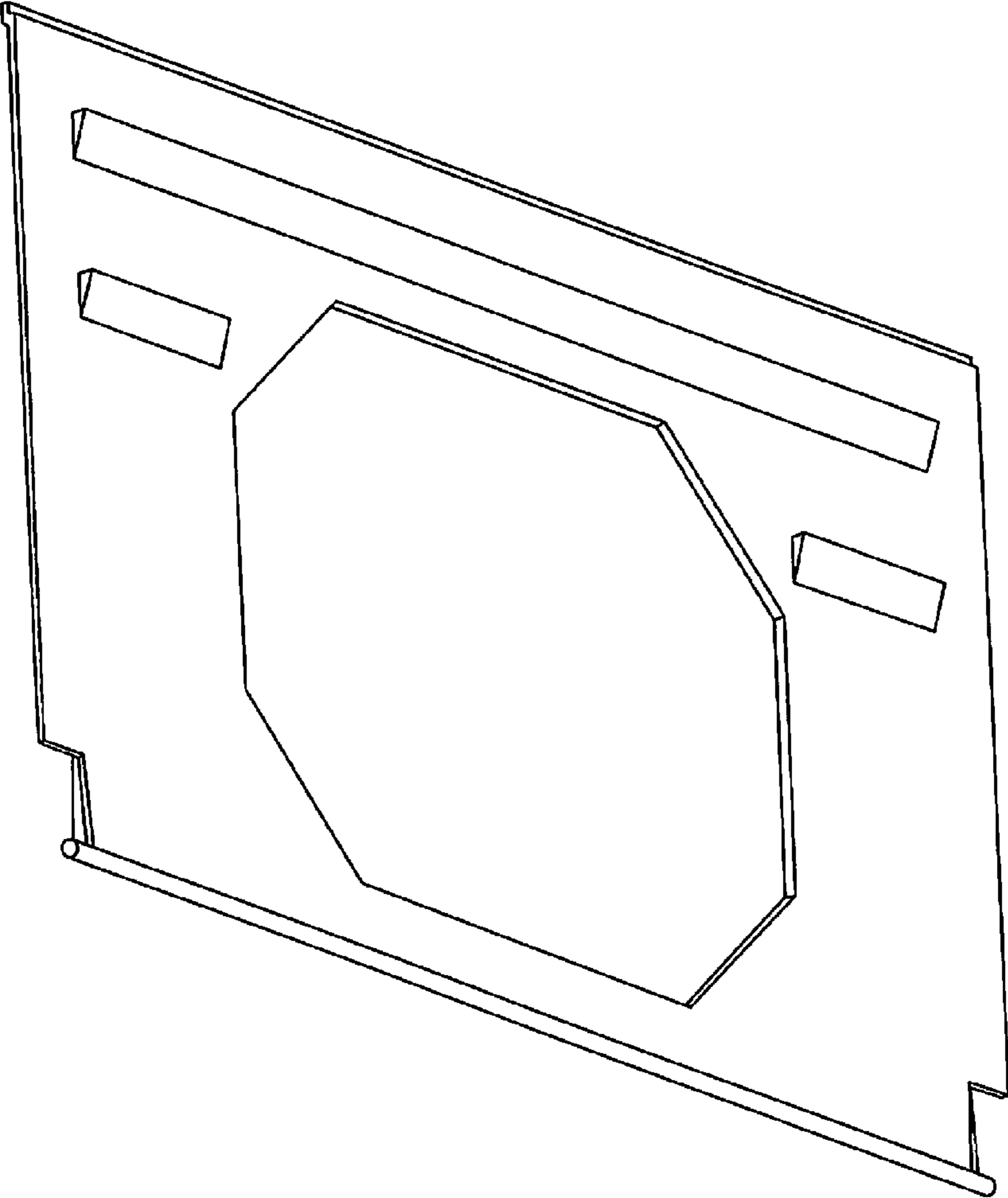


FIG. 14

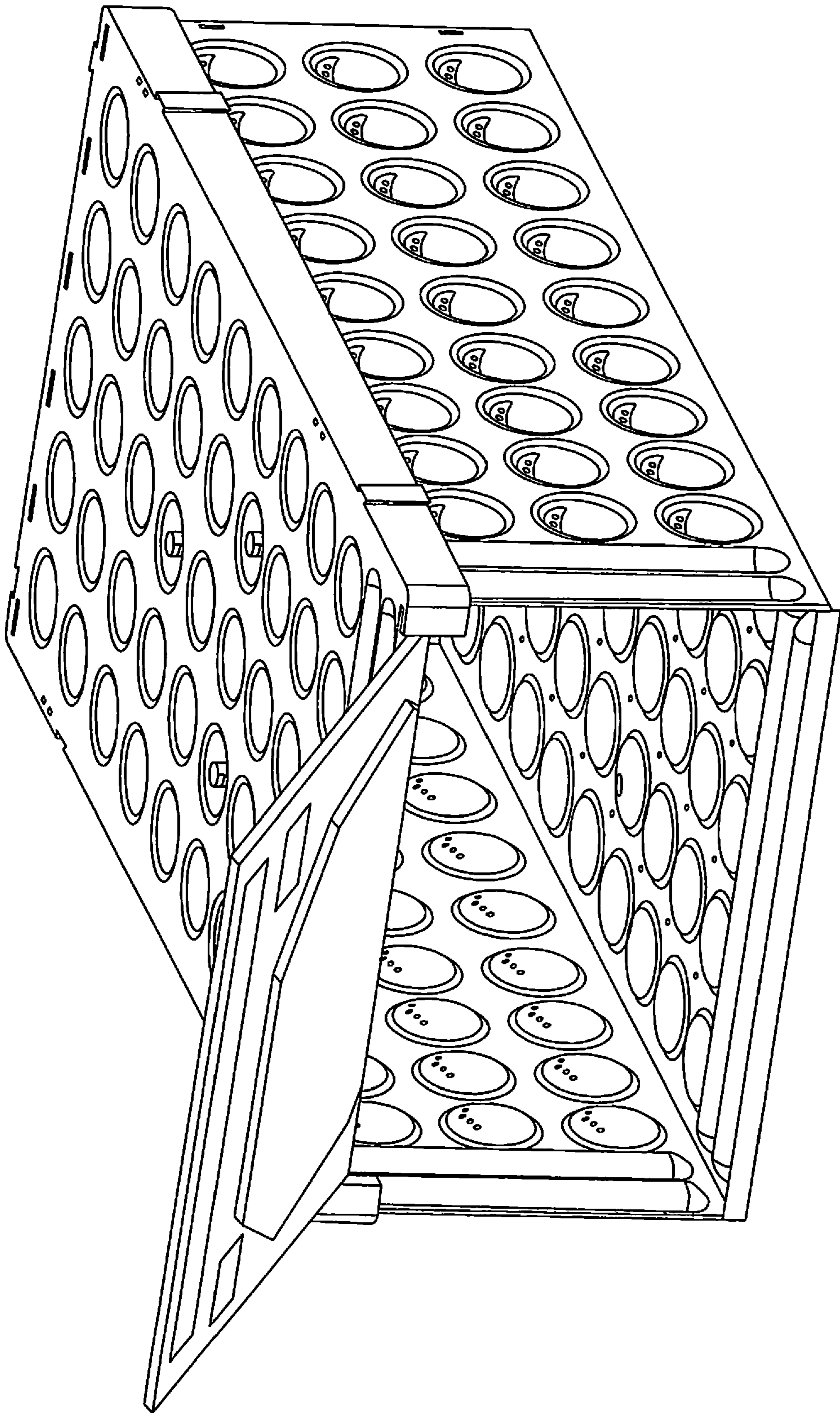


FIG. 15

UNITED STATES PATENT AND TRADEMARK OFFICE  
**CERTIFICATE OF CORRECTION**

PATENT NO. : D653,026 S  
APPLICATION NO. : 29/352819  
DATED : January 31, 2012  
INVENTOR(S) : Joseph Patrick Kelly

Page 1 of 1

It is certified that error appears in the above-identified patent and that said Letters Patent is hereby corrected as shown below:

On the Title Page

Item (30) should read,

This patent claims priority to European patent application number 1154595-001 filed on 7/15/2009.

Signed and Sealed this  
Tenth Day of April, 2012

A handwritten signature in black ink that reads "David J. Kappos". The signature is written in a cursive style with a large, stylized "D" and "K".

David J. Kappos  
*Director of the United States Patent and Trademark Office*



UNITED STATES PATENT AND TRADEMARK OFFICE  
**CERTIFICATE OF CORRECTION**

PATENT NO. : D653,026 S  
APPLICATION NO. : 29/352819  
DATED : January 31, 2012  
INVENTOR(S) : Joseph Patrick Kelly

Page 1 of 1

It is certified that error appears in the above-identified patent and that said Letters Patent is hereby corrected as shown below:

On the Title Page

Item (30) should read,

This patent claims priority to European patent application number 001154595-001 filed on 7/15/2009.

This certificate supersedes the Certificate of Correction issued April 10, 2012.

Signed and Sealed this  
Twelfth Day of June, 2012

A handwritten signature in black ink that reads "David J. Kappos". The signature is written in a cursive, slightly slanted style.

David J. Kappos  
*Director of the United States Patent and Trademark Office*

UNITED STATES PATENT AND TRADEMARK OFFICE  
**CERTIFICATE OF CORRECTION**

PATENT NO. : D653,026 S  
APPLICATION NO. : 29/352819  
DATED : January 31, 2012  
INVENTOR(S) : Joseph Patrick Kelly

Page 1 of 1

It is certified that error appears in the above-identified patent and that said Letters Patent is hereby corrected as shown below:

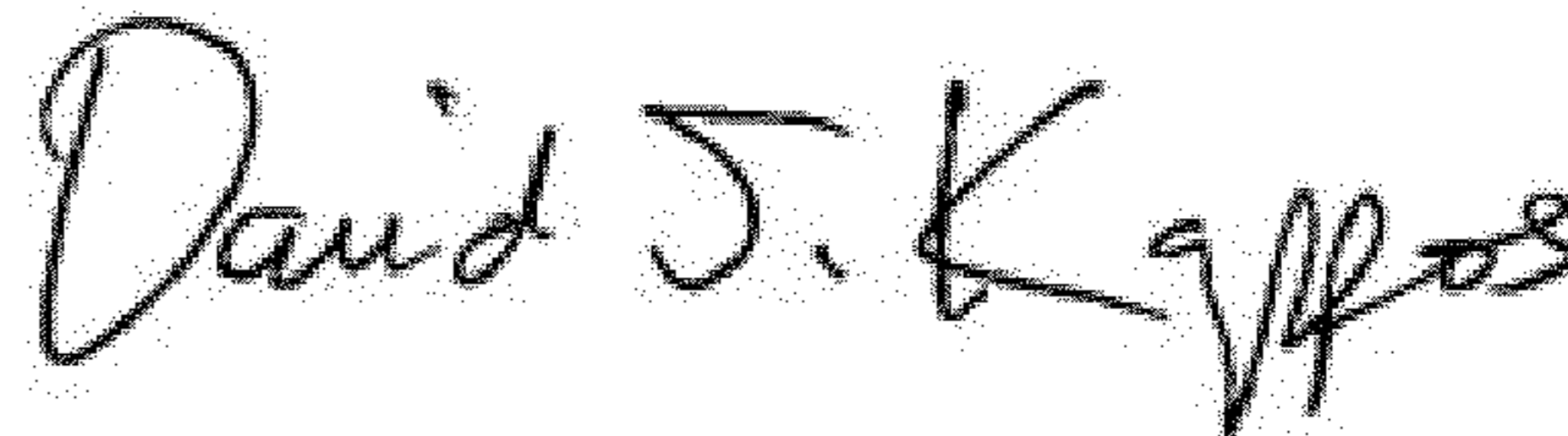
On the Title Page

Item (30) should read,

This patent claims priority to European patent application number 001154595-0001 filed on  
7/15/2009.

This certificate supersedes the Certificates of Correction issued April 10, 2012 and June 12, 2012.

Signed and Sealed this  
Thirty-first Day of July, 2012

A handwritten signature in black ink that reads "David J. Kappos". The signature is written in a cursive, slightly slanted style.

David J. Kappos  
*Director of the United States Patent and Trademark Office*

UNITED STATES PATENT AND TRADEMARK OFFICE  
**CERTIFICATE OF CORRECTION**

PATENT NO. : D653,026 S  
APPLICATION NO. : 29/352819  
DATED : January 31, 2012  
INVENTOR(S) : Joseph Patrick Kelly

Page 1 of 1

It is certified that error appears in the above-identified patent and that said Letters Patent is hereby corrected as shown below:

On the Title Page

Item (30) should read,

This patent claims priority to European Community Design Application No. 001154595-0001.

This certificate supersedes the Certificate of Correction issued April 10, 2012.

Signed and Sealed this  
Nineteenth Day of February, 2013



Teresa Stanek Rea  
*Acting Director of the United States Patent and Trademark Office*