



US00D653023S

(12) **United States Design Patent**  
**McClaskie**

(10) **Patent No.:** **US D653,023 S**  
(45) **Date of Patent:** **\*\* Jan. 31, 2012**

(54) **SHOE**  
(75) **Inventor:** **Thomas E. McClaskie**, Bethlehem, PA  
(US)  
(73) **Assignee:** **Columbia Insurance Company**,  
Omaha, NE (US)  
(\*\*) **Term:** **14 Years**

D603,591 S 11/2009 McClaskie  
D603,592 S \* 11/2009 McClaskie ..... D2/952  
D603,593 S \* 11/2009 McClaskie ..... D2/952  
D608,535 S \* 1/2010 McClaskie ..... D2/952  
D609,888 S \* 2/2010 McClaskie ..... D2/952  
D609,889 S 2/2010 McClaskie  
D609,890 S 2/2010 McClaskie  
D625,089 S \* 10/2010 McClaskie ..... D2/952  
D625,495 S \* 10/2010 McClaskie ..... D2/952  
D625,498 S \* 10/2010 McClaskie ..... D2/952  
D627,547 S \* 11/2010 McClaskie ..... D2/952

\* cited by examiner

(21) **Appl. No.:** **29/391,968**  
(22) **Filed:** **May 16, 2011**  
(51) **LOC (9) Cl.** ..... **02-04**  
(52) **U.S. Cl.** ..... **D2/952; D2/951**  
(58) **Field of Classification Search** ..... D2/902,  
D2/906, 908, 916, 918, 925, 946-962, 977;  
36/3 B, 22 R, 24.5, 25 R, 28, 32 R, 34 R,  
36/59 C, 67 A, 103  
See application file for complete search history.

*Primary Examiner* — T. Chase Nelson  
(74) *Attorney, Agent, or Firm* — St. Onge Steward Johnston  
& Reens LLC

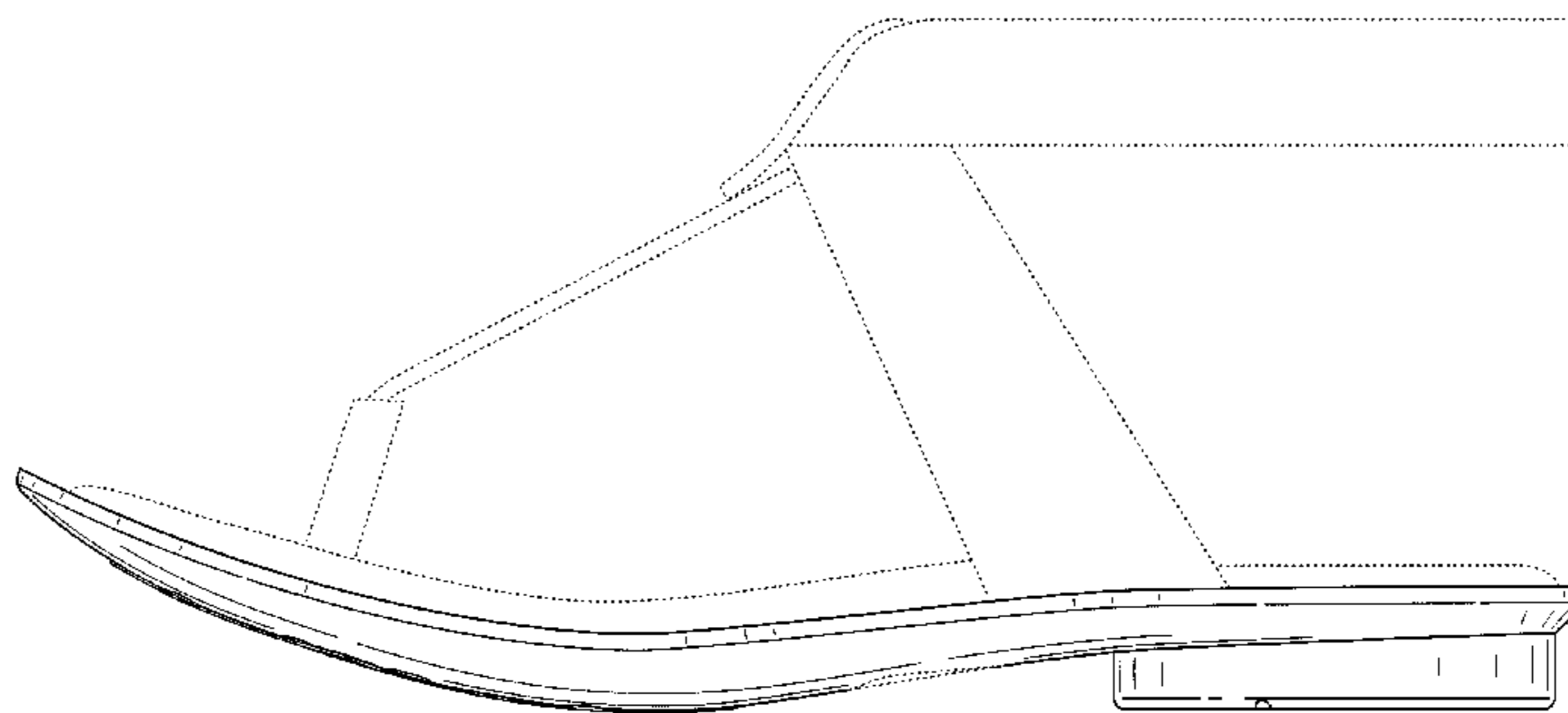
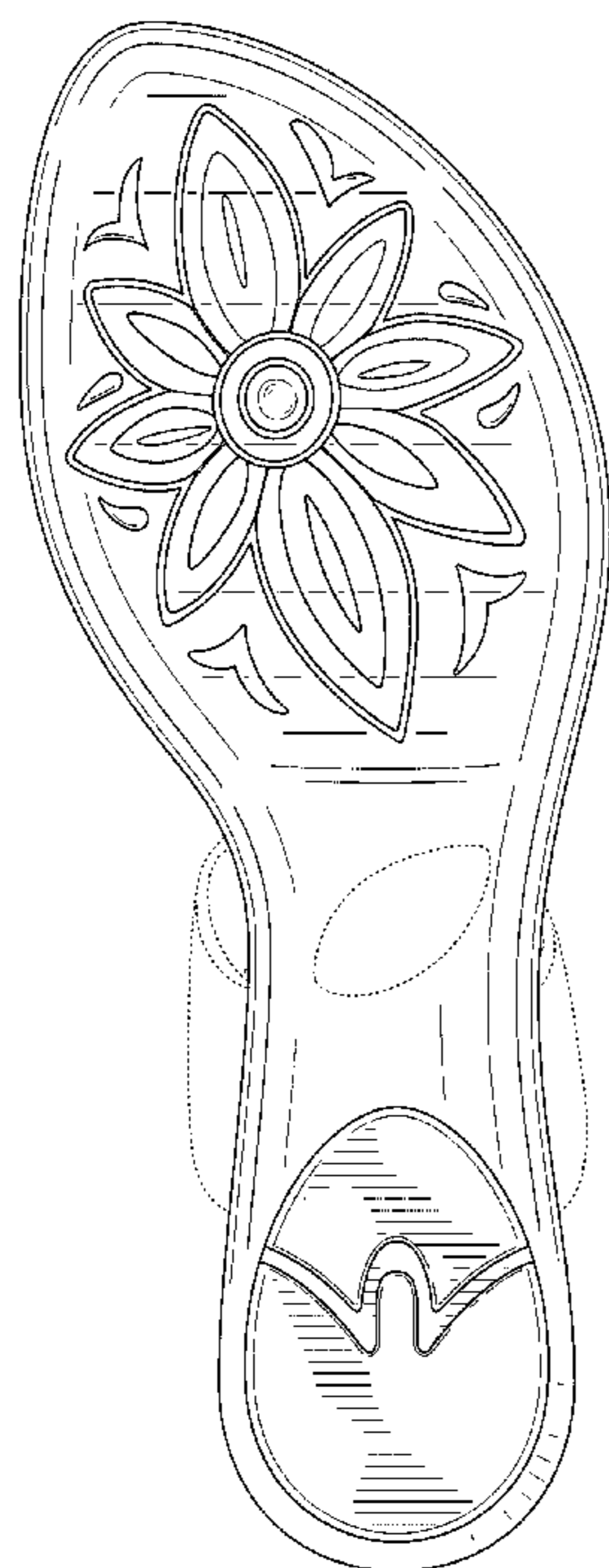
(57) **CLAIM**  
The ornamental design for a shoe, as shown and described.

**DESCRIPTION**

FIG. 1 is a bottom perspective view of a shoe in accordance with the new design;  
FIG. 2 is a bottom view thereof;  
FIG. 3 is a top view thereof;  
FIG. 4 is a right side view thereof;  
FIG. 5 is a left side view thereof;  
FIG. 6 is a front view thereof; and,  
FIG. 7 is a rear view thereof.  
The shoe upper shown in broken lines in FIGS. 1-7 is for environmental purposes only and forms no part of the claimed design. The broken lines shown in each arch area of FIGS. 1, 2, 4, and 5 represent boundaries of the design with the lines themselves and the areas within them forming no part of the claimed design.

(56) **References Cited**  
**U.S. PATENT DOCUMENTS**  
1,988,784 A \* 1/1935 Carrier ..... 36/59 C  
D168,540 S 1/1953 Friedman et al.  
D495,856 S 9/2004 McClaskie  
D525,017 S 7/2006 Ochoa  
D542,015 S \* 5/2007 McClaskie ..... D2/952  
D548,433 S 8/2007 McClaskie  
D557,883 S \* 12/2007 McClaskie ..... D2/952  
D581,639 S \* 12/2008 Roy et al. .... D2/946  
D583,138 S \* 12/2008 McClaskie ..... D2/953  
D587,439 S \* 3/2009 Issler ..... D2/952  
D590,141 S 4/2009 McClaskie  
D603,149 S \* 11/2009 McClaskie ..... D2/952

**1 Claim, 7 Drawing Sheets**



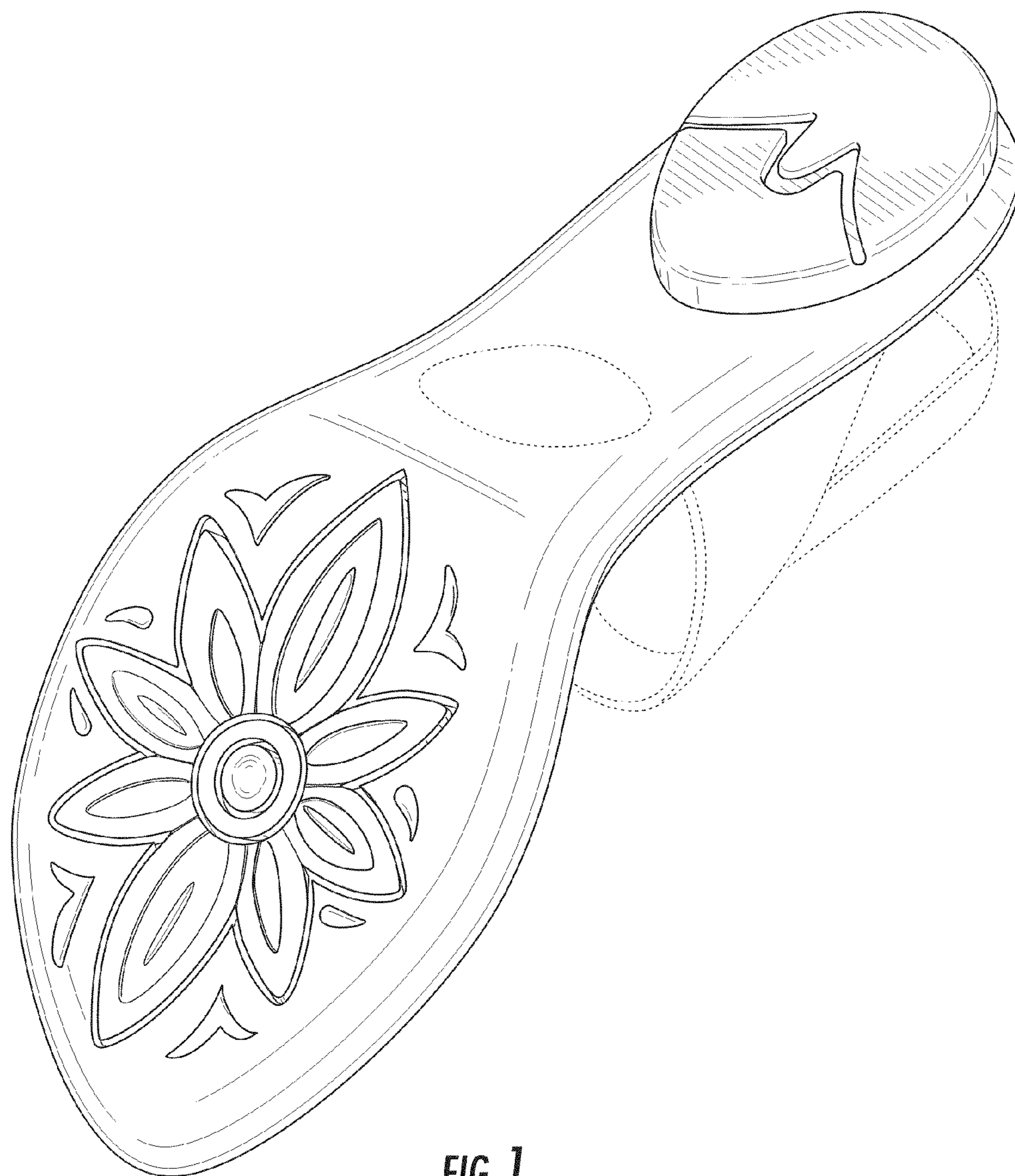


FIG. 1

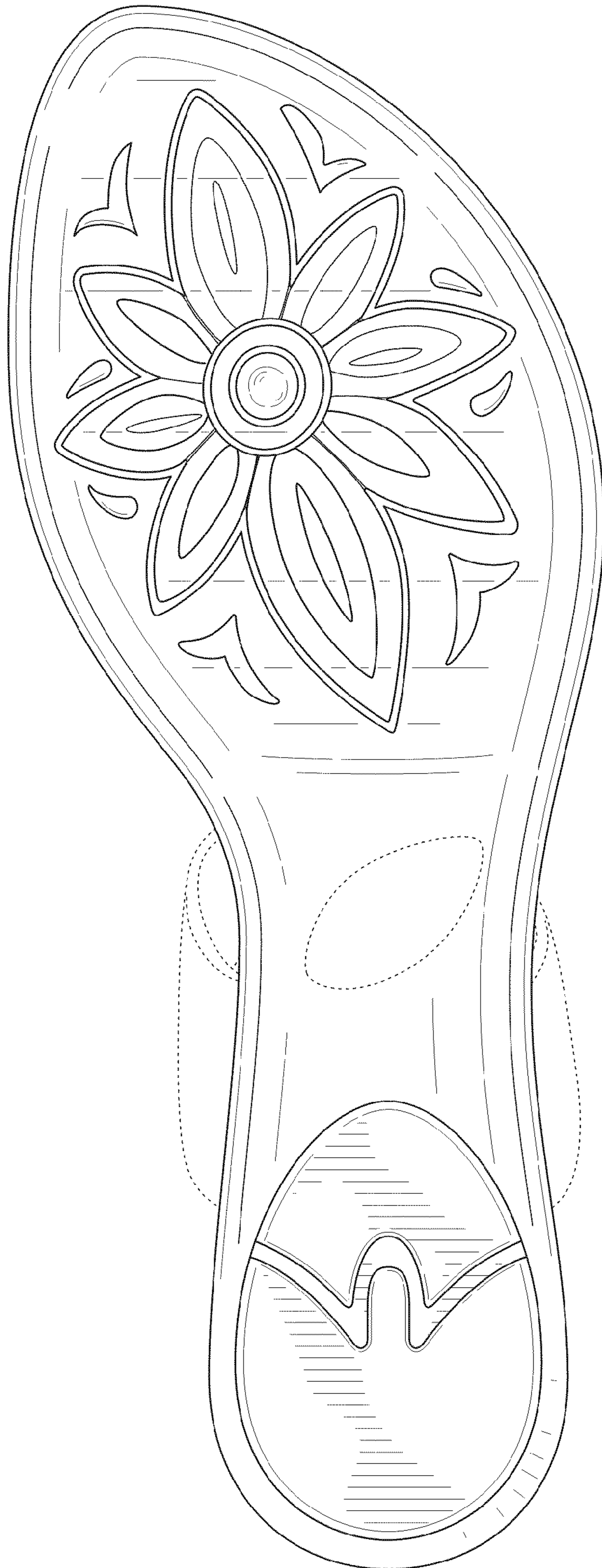
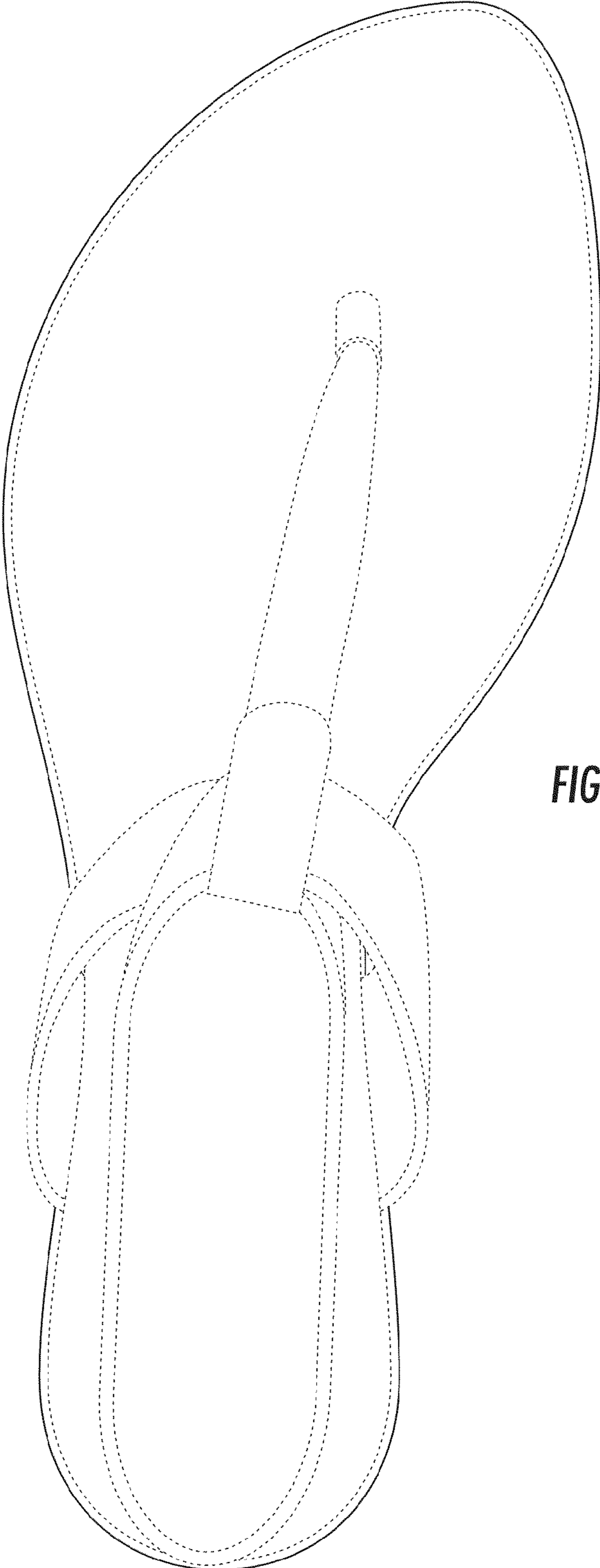


FIG. 2



**FIG. 3**

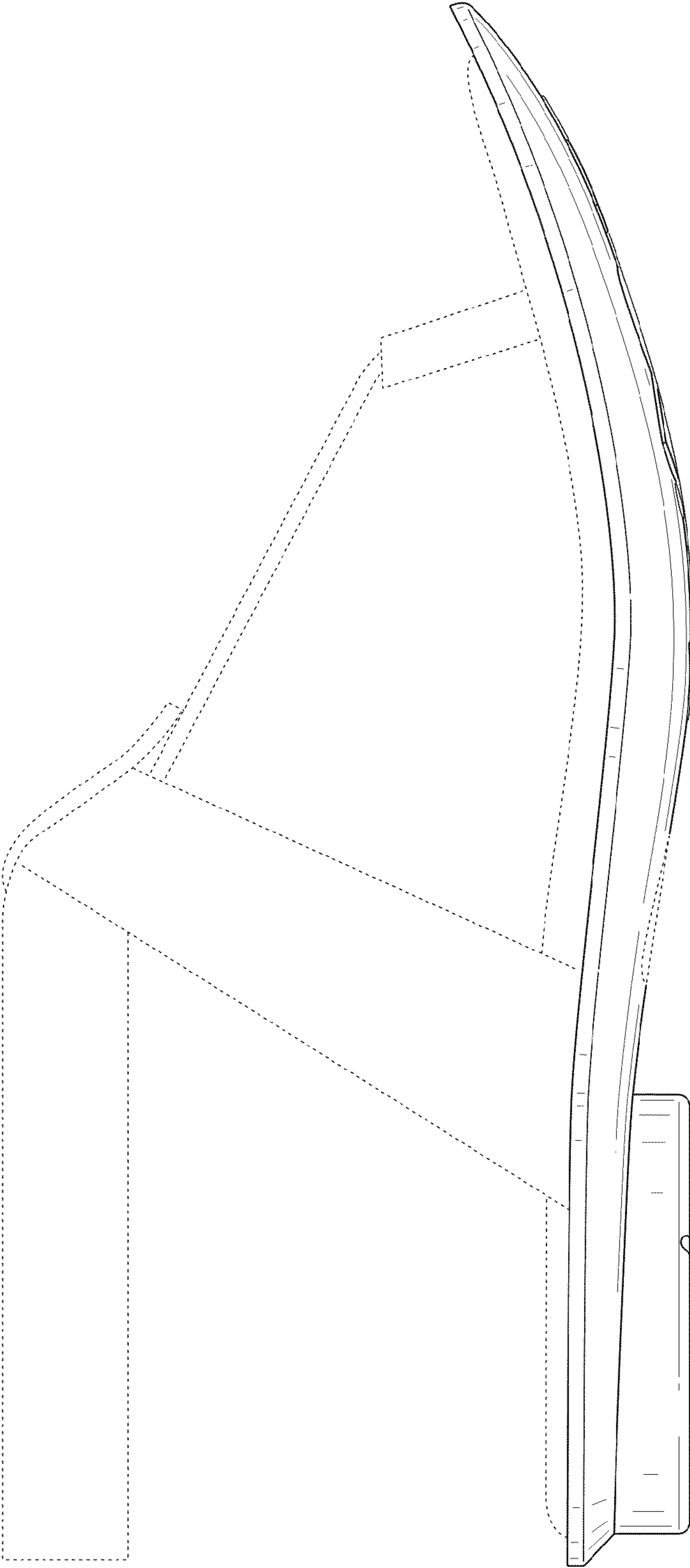


FIG. 4

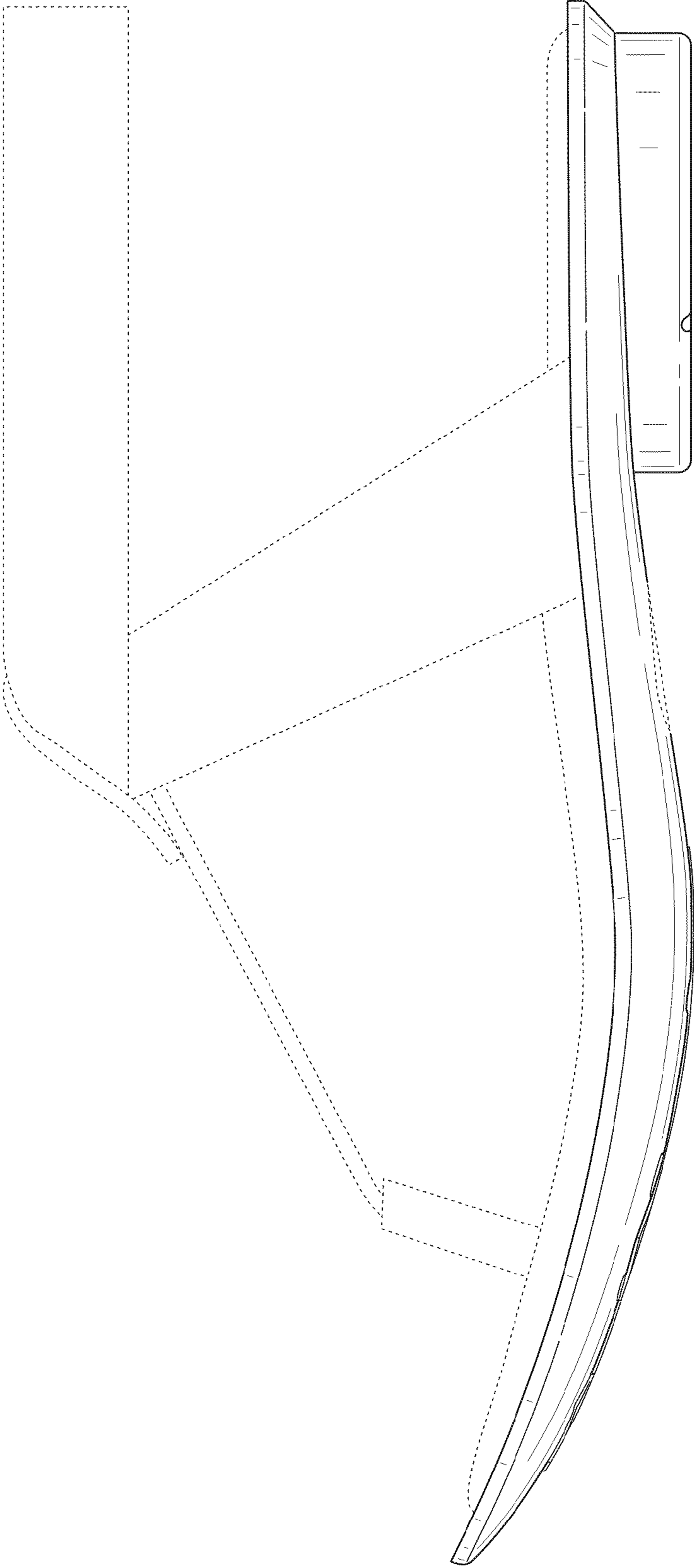
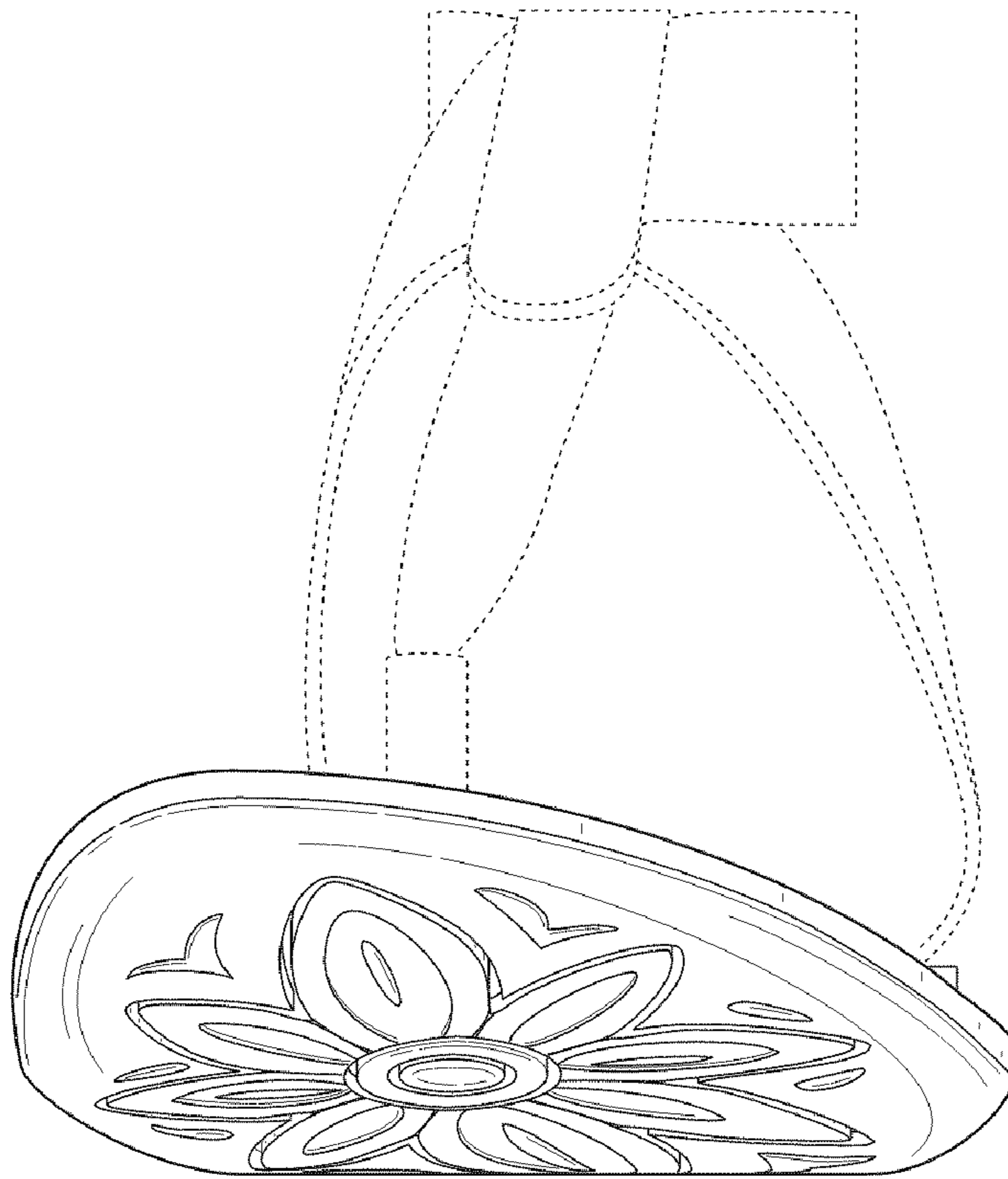
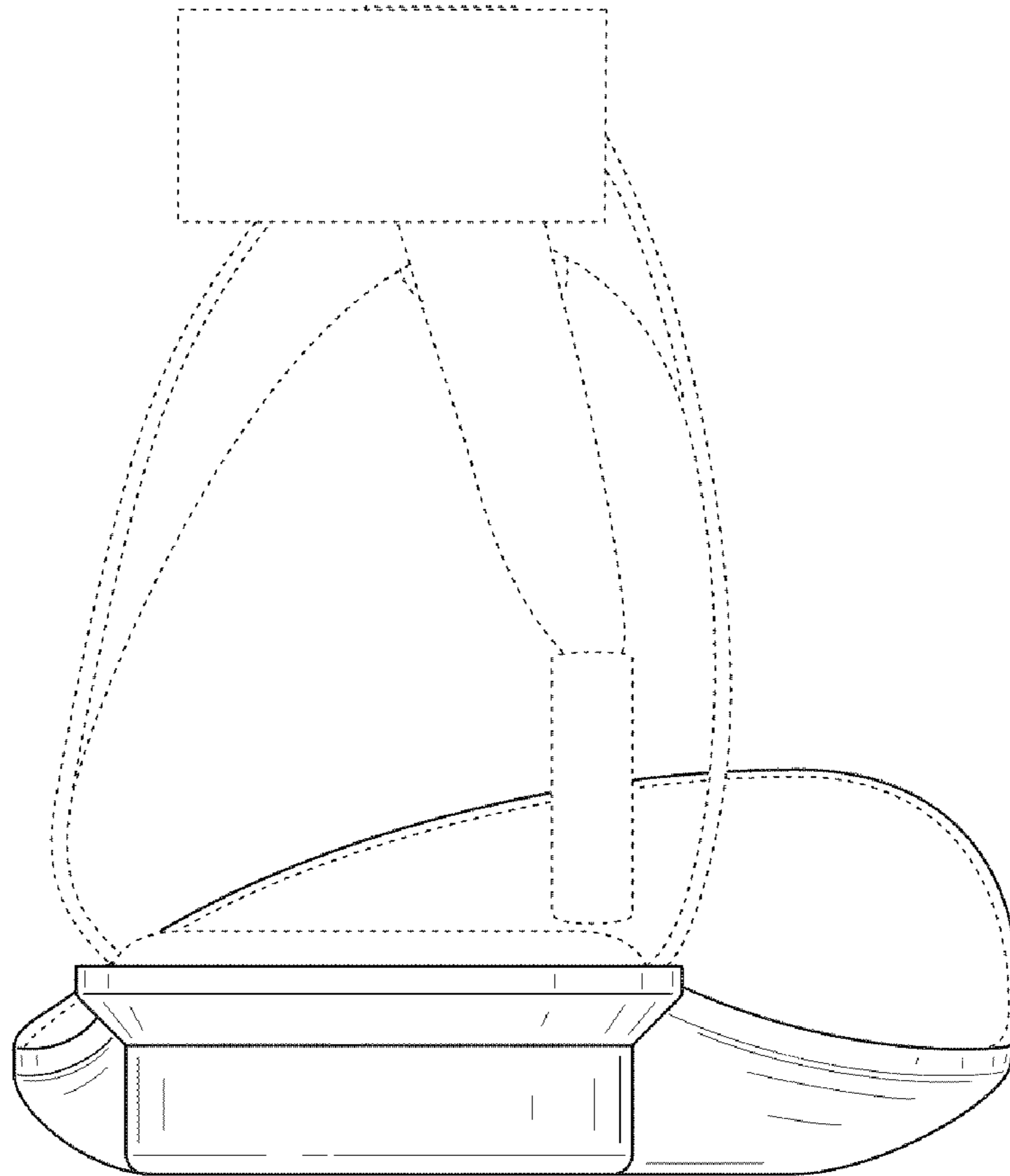


FIG. 5



**FIG. 6**



**FIG. 7**