



US00D653018S

(12) **United States Design Patent**
Webbe et al.

(10) **Patent No.:** **US D653,018 S**

(45) **Date of Patent:** **** Jan. 31, 2012**

(54) **DISPOSABLE COLLAR PROTECTOR**

(76) Inventors: **Larry J. Webbe**, Naples, FL (US);
Lauralie Webbe, Naples, FL (US)

(**) Term: **14 Years**

(21) Appl. No.: **29/341,529**

(22) Filed: **Aug. 6, 2009**

(51) **LOC (9) Cl.** **02-02**

(52) **U.S. Cl.** **D2/860; D2/602**

(58) **Field of Classification Search** D2/853,
D2/860, 602, 609; 2/46, 60, 129, 255, 256;
D28/56, 57, 59; D1/102, 105; D24/136;
132/76.4; 426/134

See application file for complete search history.

(56) **References Cited**

U.S. PATENT DOCUMENTS

297,653	A *	4/1884	Whited	2/129
3,032,775	A *	5/1962	Robitaille et al.	2/255
3,068,486	A *	12/1962	Gleeson	2/129
3,211,160	A *	10/1965	Miller	132/275
4,008,494	A	2/1977	Hicks	
4,139,644	A *	2/1979	Stephenson	426/134
4,653,119	A	3/1987	Kaiser	
4,980,927	A	1/1991	Wawiluk et al.	
D327,771	S	7/1992	Young	
D338,740	S *	8/1993	Nguyen	D28/59
D344,333	S *	2/1994	Paddock	D24/125
5,666,981	A *	9/1997	Stephens	132/76.4
5,711,030	A *	1/1998	Anderson et al.	2/60
5,813,416	A *	9/1998	Rudolph	132/76.4
5,940,882	A *	8/1999	Auguste	2/60

D430,354	S *	8/2000	La Joie et al.	D28/59
6,105,166	A	8/2000	Thomas, III et al.	
6,269,486	B1	8/2001	Nager et al.	
D490,213	S *	5/2004	Osuagwu	D2/602
6,836,901	B2	1/2005	Hippensteel	
D619,795	S *	7/2010	McBride	D2/961
D634,101	S *	3/2011	Alston	D2/860
D634,105	S *	3/2011	Cheshire et al.	D2/925
2003/0093850	A1 *	5/2003	Peterkin	2/60
2006/0021108	A1 *	2/2006	Lomas	2/129
2006/0027245	A1 *	2/2006	Spector	132/273
2007/0079841	A1 *	4/2007	Geils	132/76.4
2008/0127397	A1 *	6/2008	Toyne	2/232
2009/0235944	A1 *	9/2009	Cha	132/76.4

* cited by examiner

Primary Examiner — Rashida Johnson

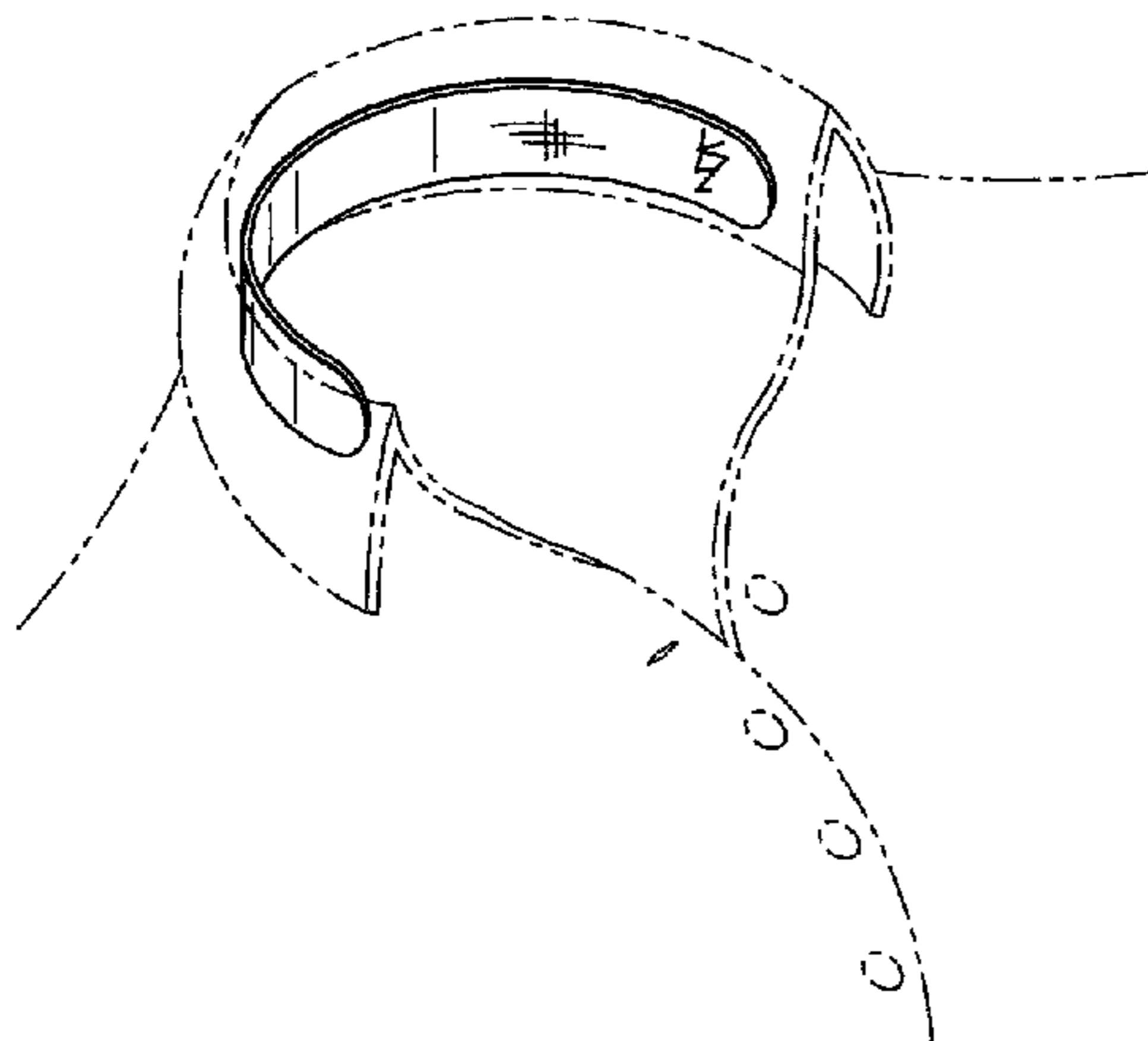
(57) **CLAIM**

The ornamental design for a disposable collar protector, as shown and described.

DESCRIPTION

FIG. 1 is a perspective view of a disposable collar protector showing my new design;
FIG. 2 is a front view thereof;
FIG. 3 is a back view thereof;
FIG. 4 is a side view (opposite side is same view) thereof; and,
FIG. 5 is a top view (bottom view is same view) thereof.
In FIG. 1, the broken lines showing of environmental structure for purposes of illustrating the disposable collar protector in a condition of use. The broken lines and the structure they depict form no part of the claimed design.

1 Claim, 2 Drawing Sheets



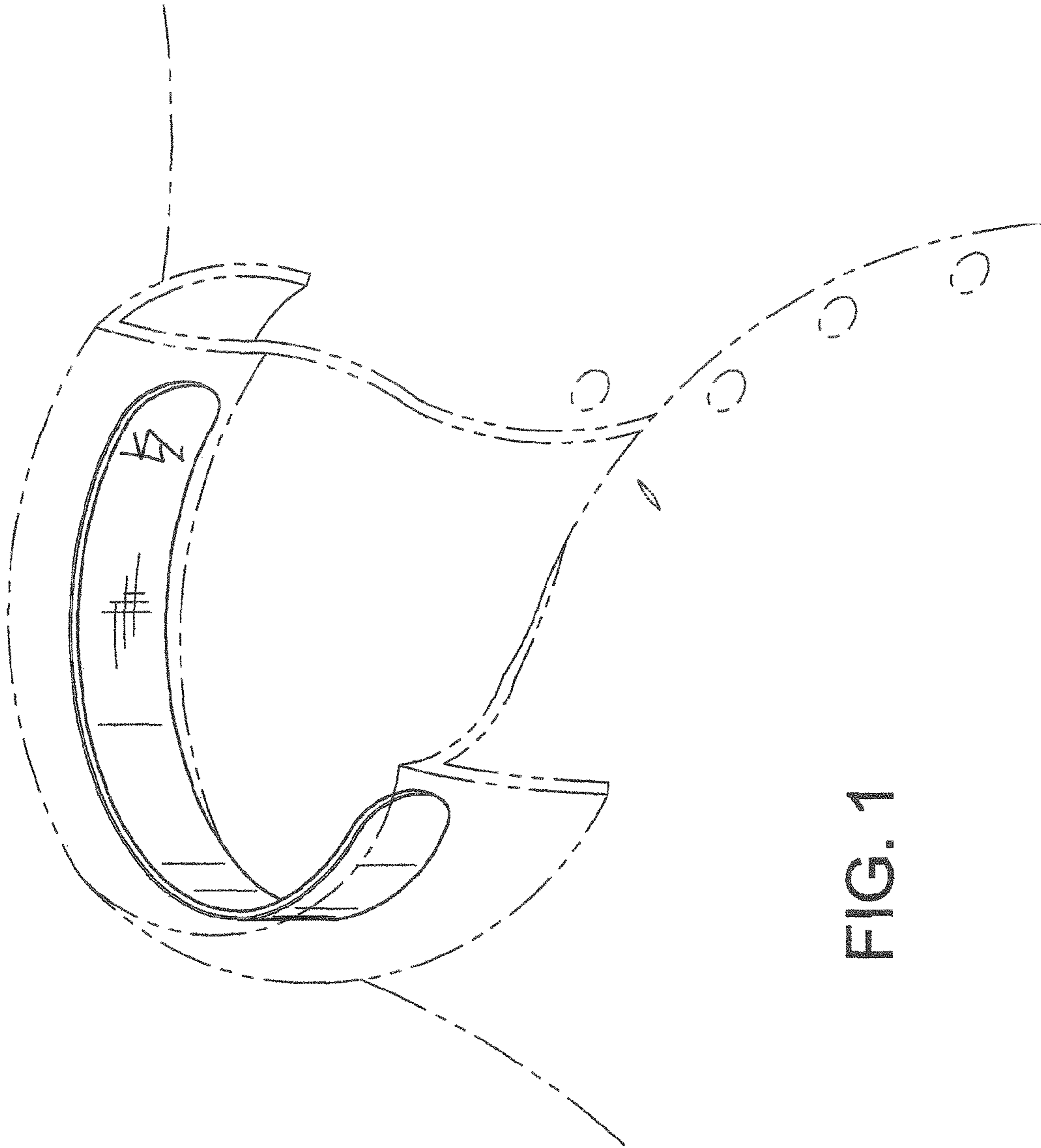


FIG. 1

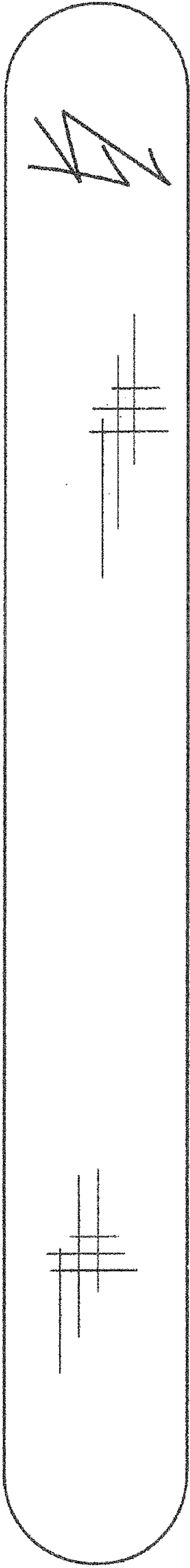


FIG. 2

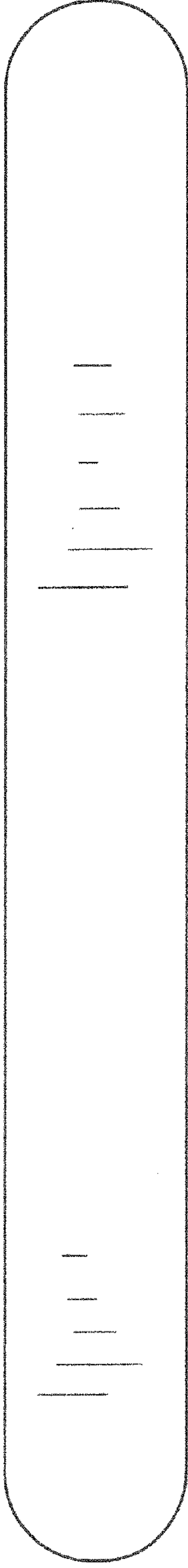


FIG. 3

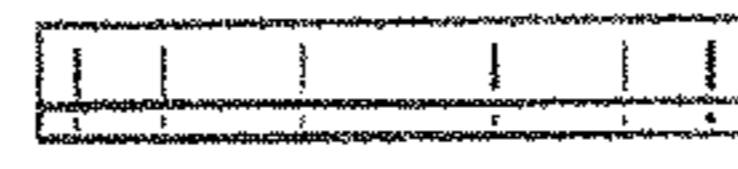


FIG. 4

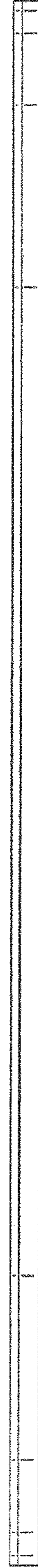


FIG. 5