



US00D653017S

(12) **United States Design Patent**  
**Hamlin**

(10) **Patent No.:** **US D653,017 S**

(45) **Date of Patent:** **\*\* Jan. 31, 2012**

(54) **BELT BUCKLE COVER**

(76) Inventor: **Neal Hamlin**, San Diego, CA (US)

(\*\*) Term: **14 Years**

(21) Appl. No.: **29/385,341**

(22) Filed: **Feb. 11, 2011**

(51) **LOC (9) Cl.** ..... **02-07**

(52) **U.S. Cl.** ..... **D2/639; D11/200**

(58) **Field of Classification Search** ..... D11/1-2,  
D11/200-201, 206-210, 214-218; 24/163 R,  
24/169-171, 173, 177-179, 191, 194-195,  
24/197, 200, 614-616, 625; 240/169-171;  
D3/318; 280/808; D2/627, 628, 639  
See application file for complete search history.

(56) **References Cited**

**U.S. PATENT DOCUMENTS**

4,741,574	A	*	5/1988	Weightman et al.	.....	297/482
D304,779	S	*	11/1989	Raphael et al.	.....	D2/639
D308,287	S	*	6/1990	Miller et al.	.....	D2/639
D345,520	S	*	3/1994	Clement	.....	D10/109.1
D387,177	S	*	12/1997	Davis	.....	D24/227
D387,887	S	*	12/1997	Jensen	.....	D2/639
D446,381	S	*	8/2001	Garfield	.....	D2/500
D604,199	S	*	11/2009	Kolasa	.....	D11/218
D616,790	S	*	6/2010	Mear	.....	D11/200

\* cited by examiner

*Primary Examiner* — Ralf Seifert

(74) *Attorney, Agent, or Firm* — San Diego IP Law Group LLP

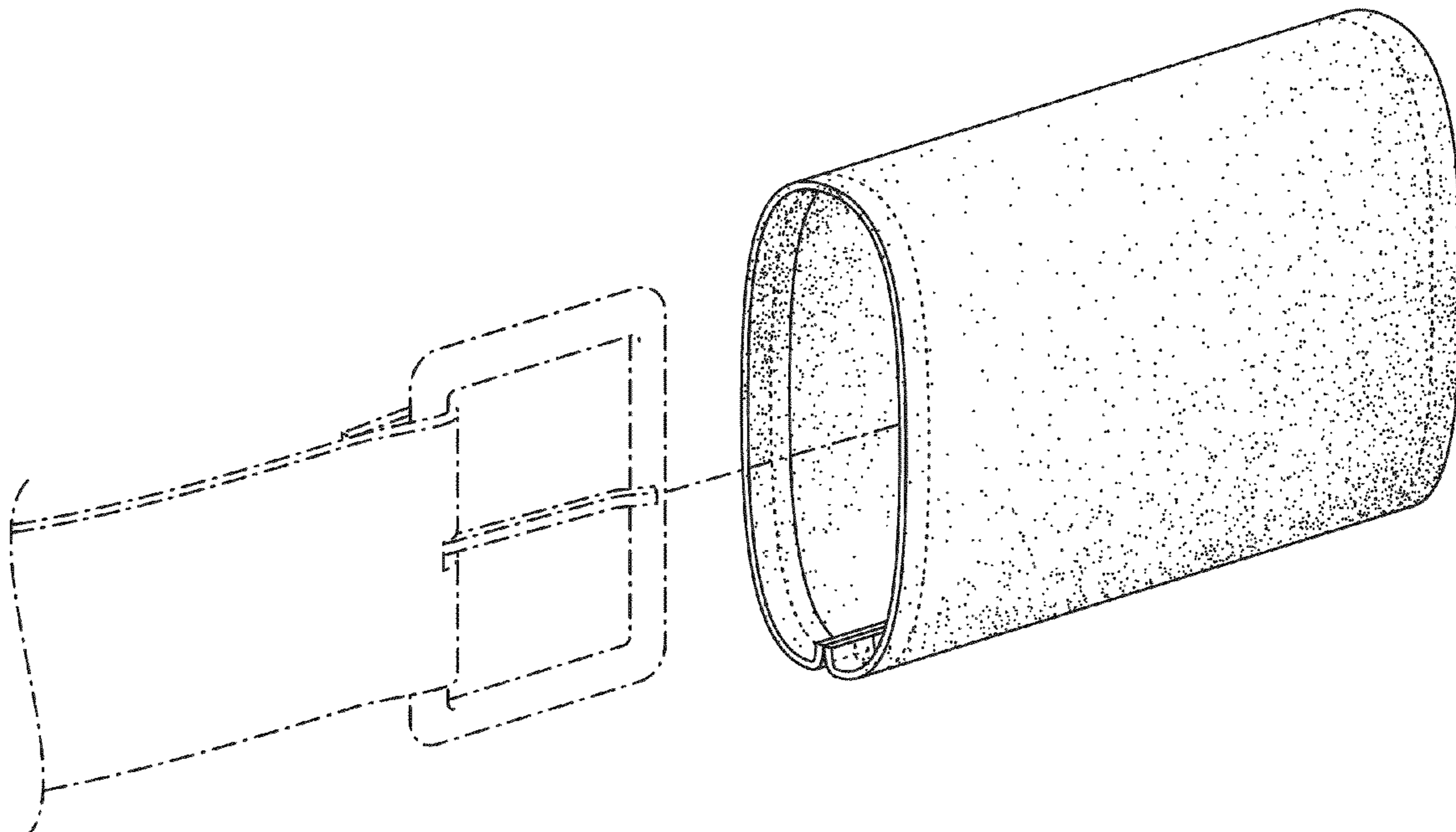
(57) **CLAIM**

I claim the ornamental design for a belt buckle cover, as shown and described.

**DESCRIPTION**

FIG. 1 is a perspective view of the belt buckle cover according to an embodiment of the invention;  
 FIG. 2 is a right side view of the belt buckle cover as shown in FIG. 1;  
 FIG. 3 is a left side view of the belt buckle cover as shown in FIG. 1;  
 FIG. 4 is an end view of the belt buckle cover as shown in FIG. 1;  
 FIG. 5 is an opposite end view of the belt buckle cover shown in FIG. 4;  
 FIG. 6 is a top view of the belt buckle cover shown in FIG. 1;  
 FIG. 7 is a bottom view of the belt buckle cover as shown in FIG. 1; and,  
 FIG. 8 is a perspective view of the belt buckle cover with a belt for insertion into the belt buckle cover.  
 The broken line showing of a belt in FIG. 8 is included for the purpose of illustrating environmental matter and forms no part of the claimed design.

**1 Claim, 4 Drawing Sheets**



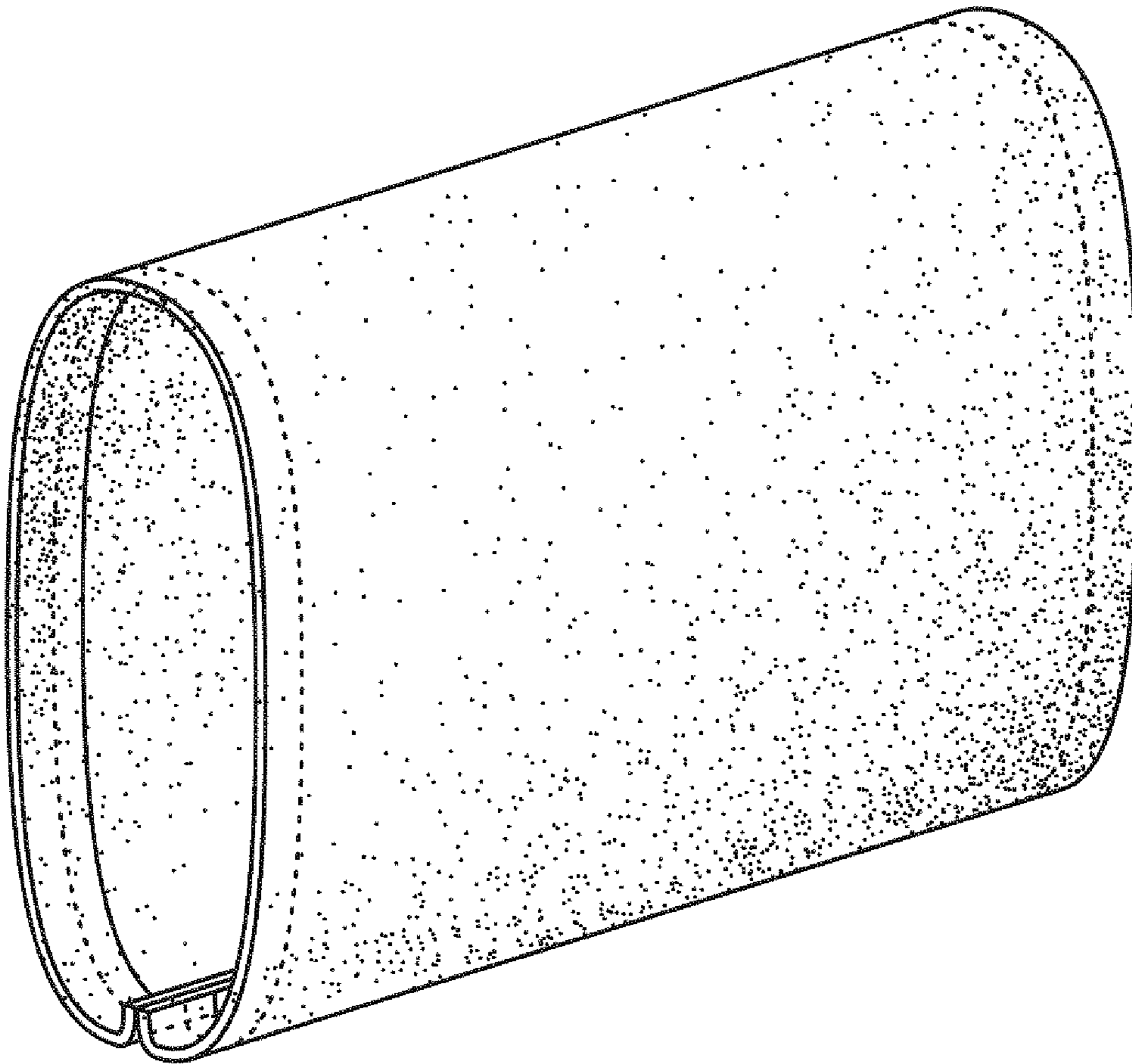


FIG. 1

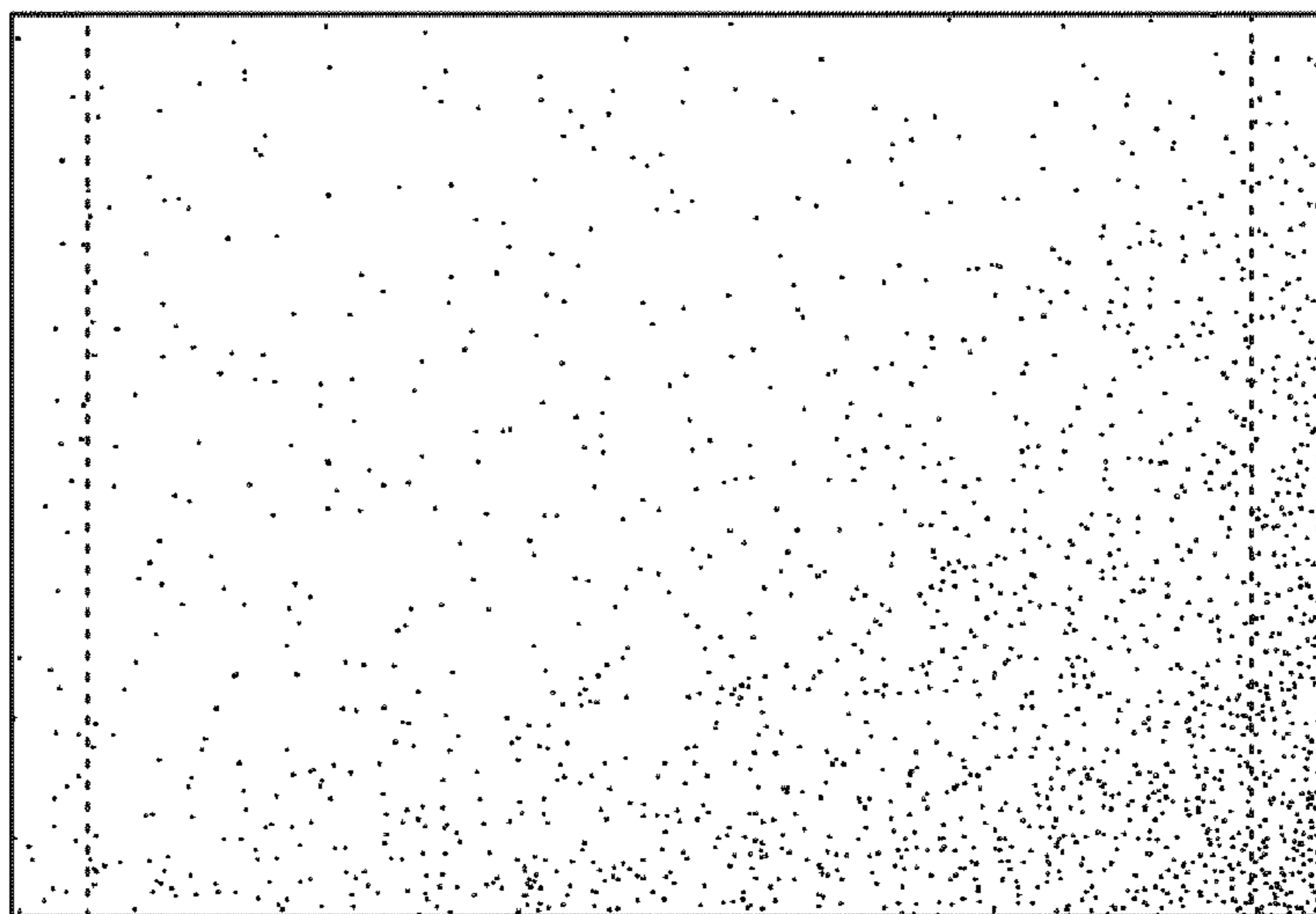


FIG. 2

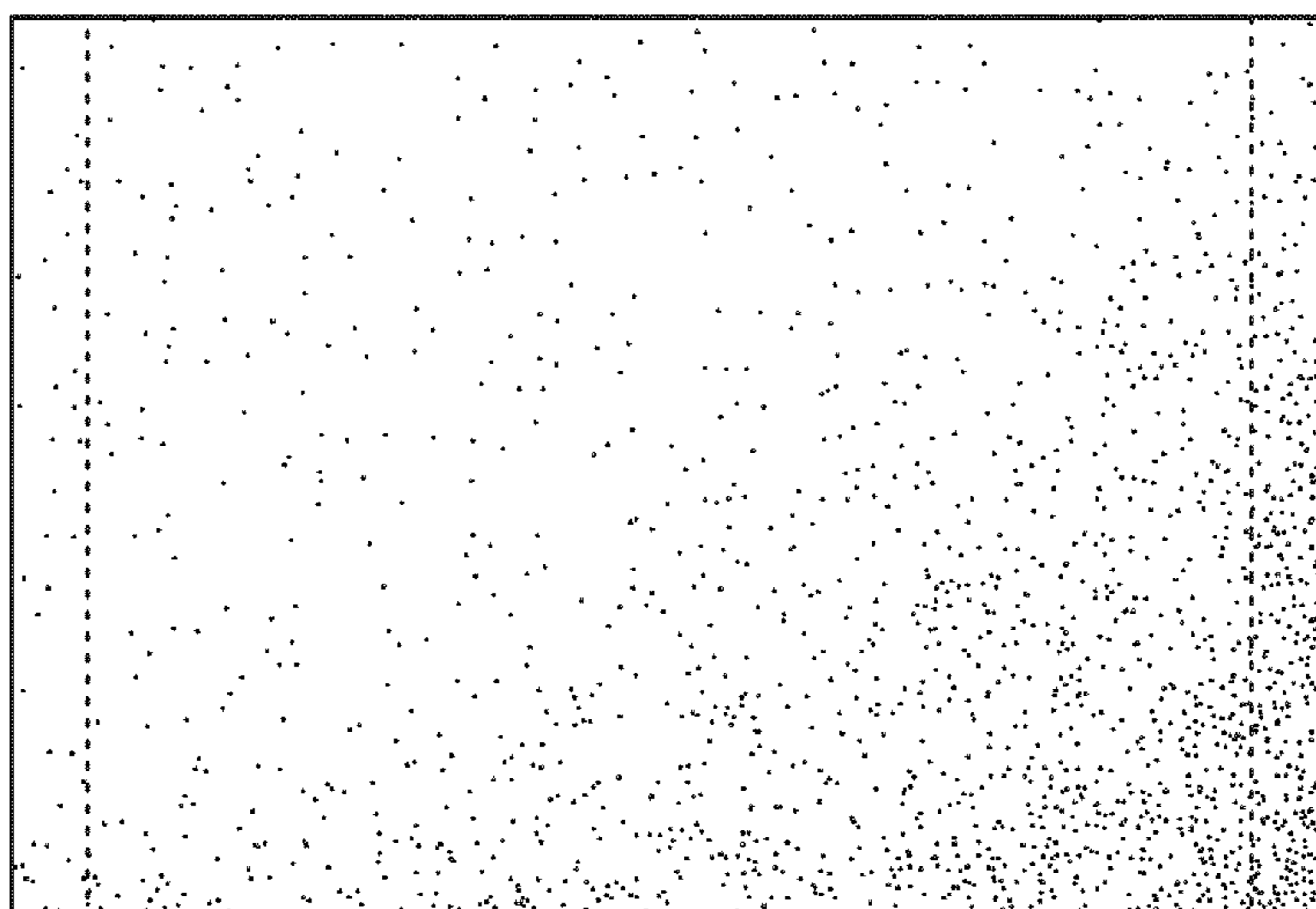


FIG. 3

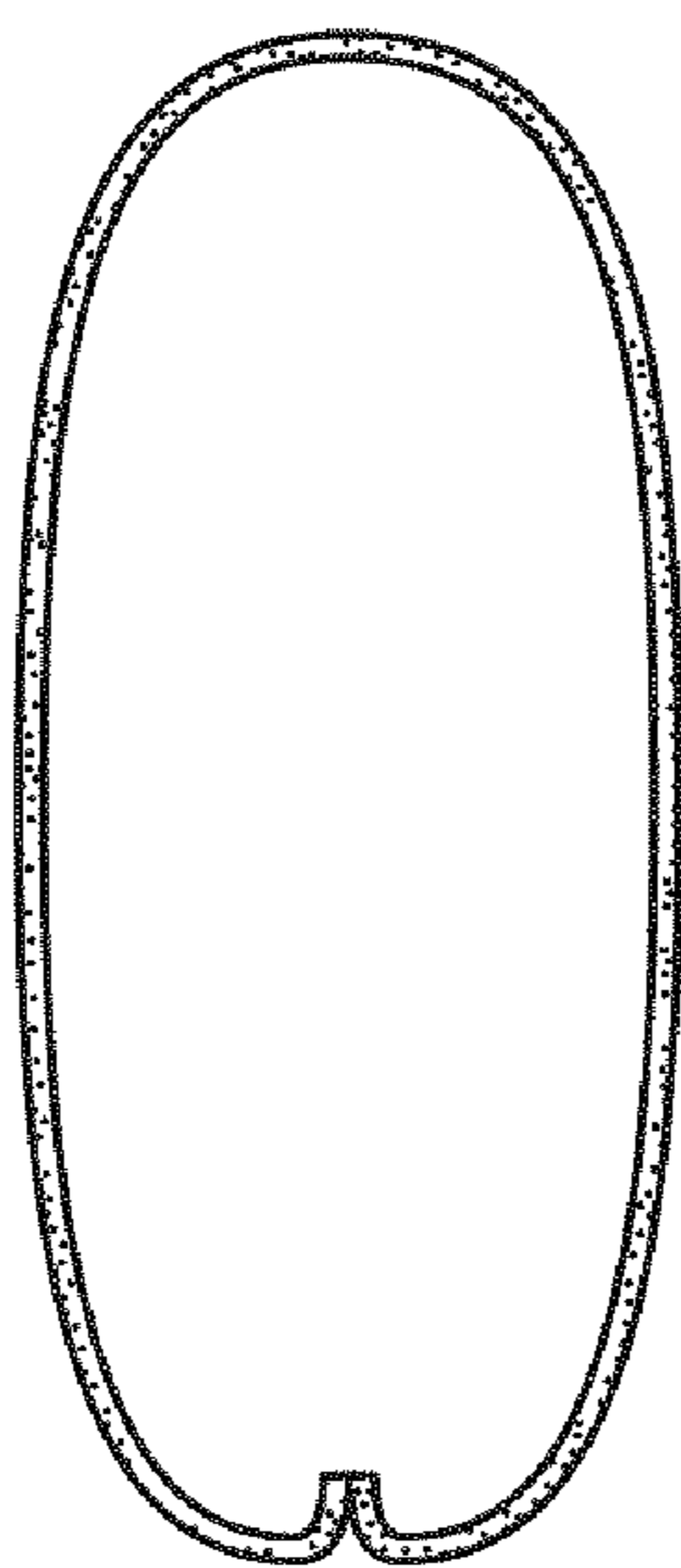


FIG. 4

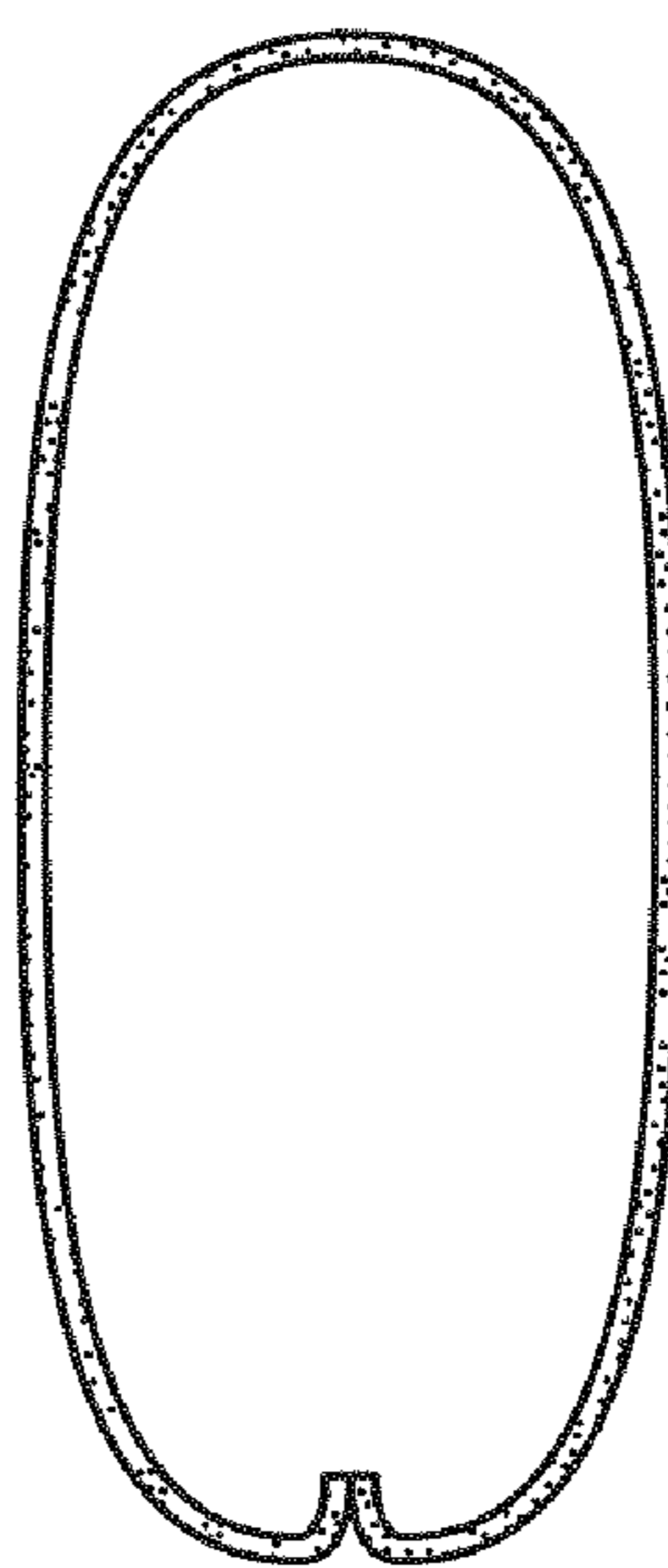


FIG. 5

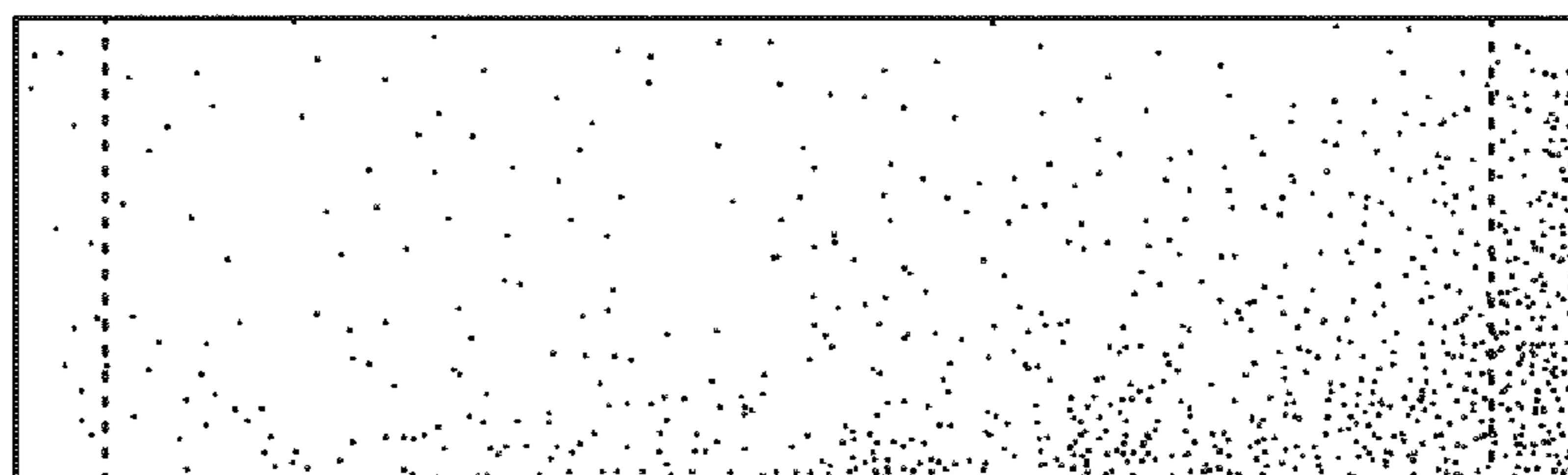


FIG. 6

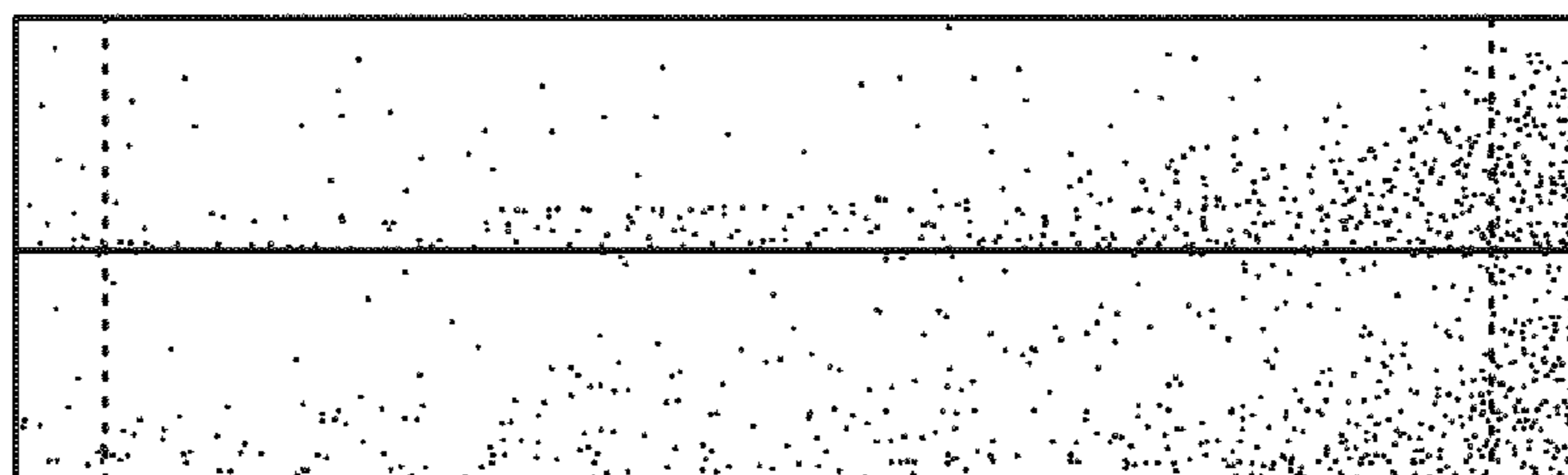


FIG. 7

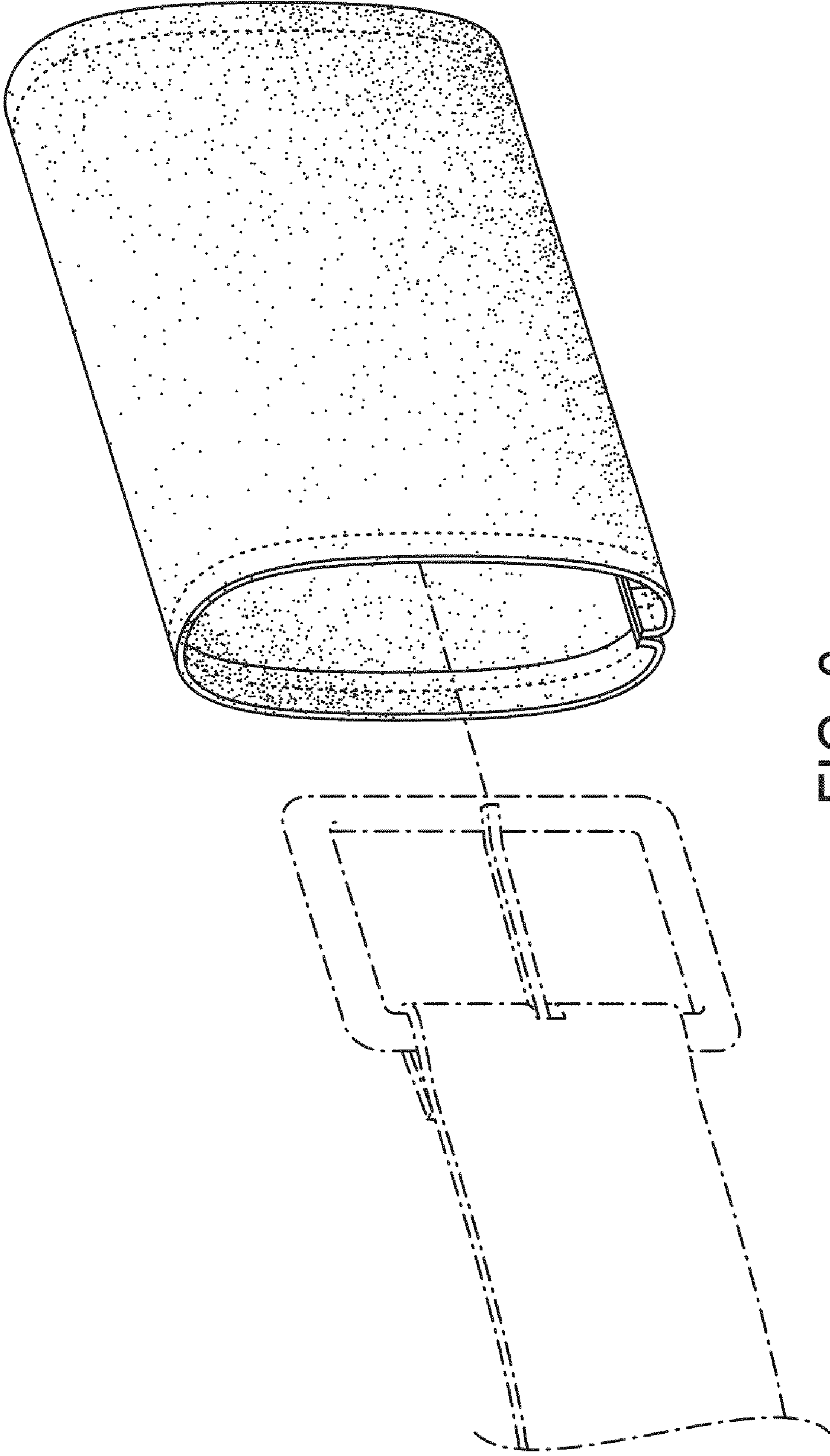


FIG. 8