



US00D653015S

(12) **United States Design Patent**
Tobias

(10) **Patent No.:** **US D653,015 S**

(45) **Date of Patent:** **** Jan. 24, 2012**

(54) **MAIL BOX FLAG**

(76) Inventor: **Stewart W. Tobias**, Palmetto, FL (US)

(**) Term: **14 Years**

(21) Appl. No.: **29/384,116**

(22) Filed: **Jan. 26, 2011**

(51) **LOC (9) Cl.** **99-00**

(52) **U.S. Cl.** **D99/43**

(58) **Field of Classification Search** D99/28,
D99/29, 31, 32, 33, 43, 99; D8/323, 325,
D8/330, 336, 343; 109/50, 52, 59 R, 64;
70/6, 431, 91, 101, 102, 94, 14; 292/346;
D3/272, 273, 294; 232/38, 39, 44, 45, 1 A;
D11/165, 166

See application file for complete search history.

(56) **References Cited**

U.S. PATENT DOCUMENTS

D32,031	S	*	12/1899	Jones	D8/323
D32,032	S	*	12/1899	Jones	D8/323
1,512,337	A		10/1924	Jackson		
2,483,992	A		6/1948	Young		
2,480,469	A	*	8/1949	Horn	232/35
2,874,895	A		3/1955	Opp et al.		
2,730,298	A		1/1956	Haserodt		
3,338,511	A	*	8/1967	Cvar	232/35
D233,730	S	*	11/1974	Burton	D8/323
4,412,646	A	*	11/1983	Hollenbach	232/34
4,491,268	A		1/1985	Faulkingham		
4,711,391	A		12/1987	Roge et al.		
4,840,307	A		6/1989	Hartman		
D314,852	S	*	2/1991	Taylor	D99/29
5,094,386	A	*	3/1992	Tabacco	232/35
D335,747	S	*	5/1993	Dearing et al.	D99/29
D350,004	S	*	8/1994	Nicholas	D99/29
D350,007	S	*	8/1994	Ferguson	D99/43

5,366,148	A	*	11/1994	Schreckengost	232/35
5,497,940	A	*	3/1996	Vogt	232/35
5,762,264	A		6/1998	Ginsberg		
6,053,404	A	*	4/2000	Jefferson et al.	232/35
D424,276	S	*	5/2000	Bolden	D99/29
6,065,671	A		5/2000	Stepleton		
6,293,461	B1	*	9/2001	Rivers, Sr.	232/35
6,425,521	B1	*	7/2002	Cooper	232/34
D478,702	S	*	8/2003	Dregney	D99/29
7,066,381	B2	*	6/2006	Bundy	232/35
7,083,080	B2	*	8/2006	McKenzie	232/35
7,229,004	B2	*	6/2007	McKenzie	232/35
D550,061	S	*	9/2007	Tang	D8/330

(Continued)

Primary Examiner — Elizabeth J Oswecki

(74) *Attorney, Agent, or Firm* — QuickPatents, Inc.; Kevin Prince

(57) **CLAIM**

I claim the ornamental design for a mail box flag, as shown and described.

DESCRIPTION

FIG. 1 is a perspective view of a mail box flag, showing the new design in a lowered position;

FIG. 2 is a perspective view thereof, illustrated in a raised position;

FIG. 3 is a top plan view of FIG. 1;

FIG. 4 is a bottom plan view of FIG. 1.

FIG. 5 is a front elevational view of FIG. 1;

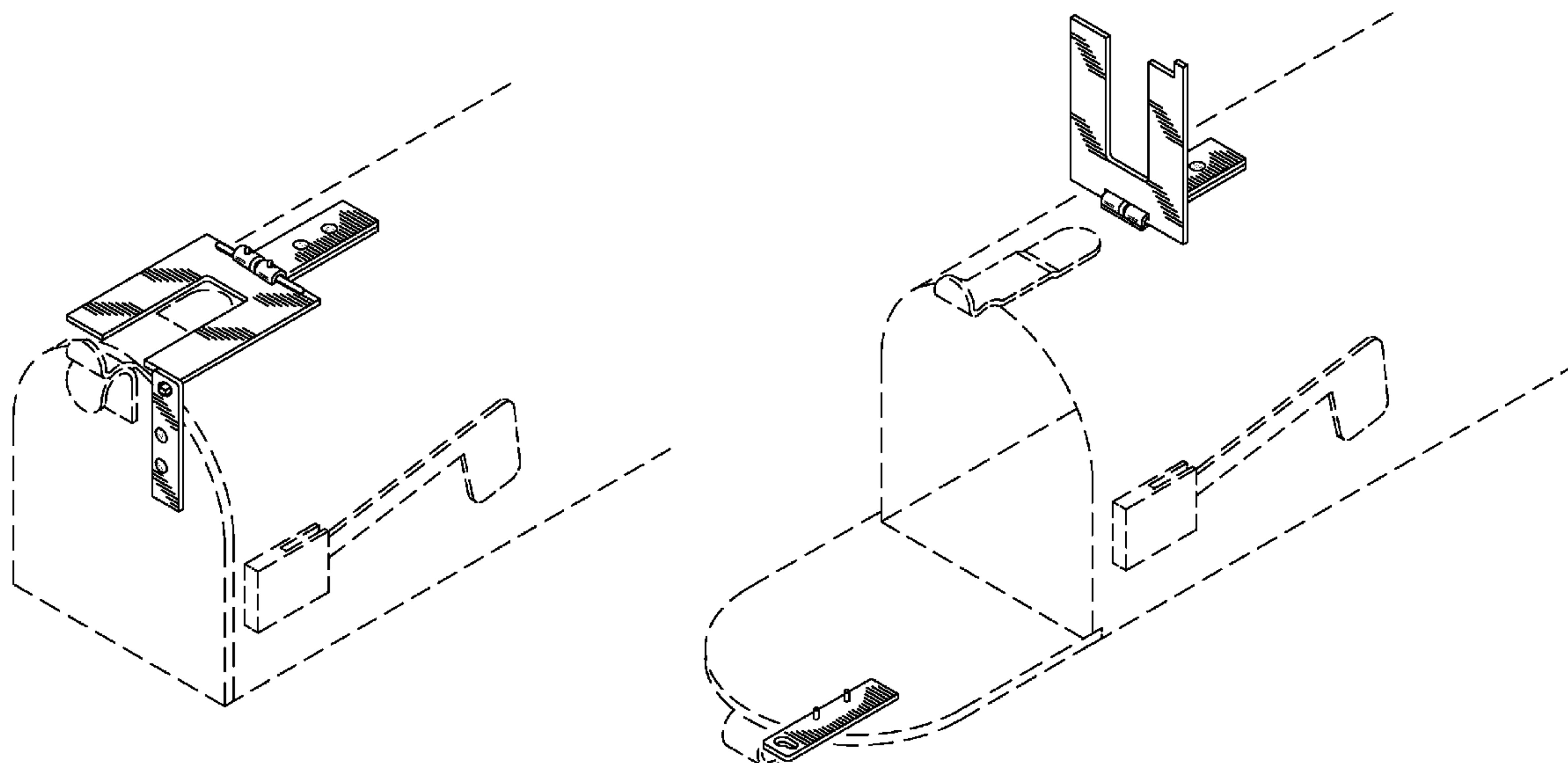
FIG. 6 is a left-side elevational view of FIG. 1;

FIG. 7 is a rear elevational view of FIG. 1; and,

FIG. 8 is a right-side elevational view of FIG. 1.

The broken lines showing a mailbox in FIGS. 1 and 2 and lines on screw fasteners in FIGS. 1-3 and 5 depict environmental matter and form no part of the claimed design.

1 Claim, 2 Drawing Sheets



US D653,015 S

Page 2

U.S. PATENT DOCUMENTS													
D552,448	S	*	10/2007	Tang	D8/330	D595,925	S	*	7/2009	Bowers	D99/43
7,357,297	B2		4/2008	Crowson			7,559,456	B1	*	7/2009	McKenzie	232/35
D569,075	S	*	5/2008	Ehrbaker	D99/43	7,905,390	B1	*	3/2011	Settle et al.	232/35
7,552,858	B1	*	6/2009	Owens	232/35	2006/0102710	A1		5/2006	Griffeth		

* cited by examiner

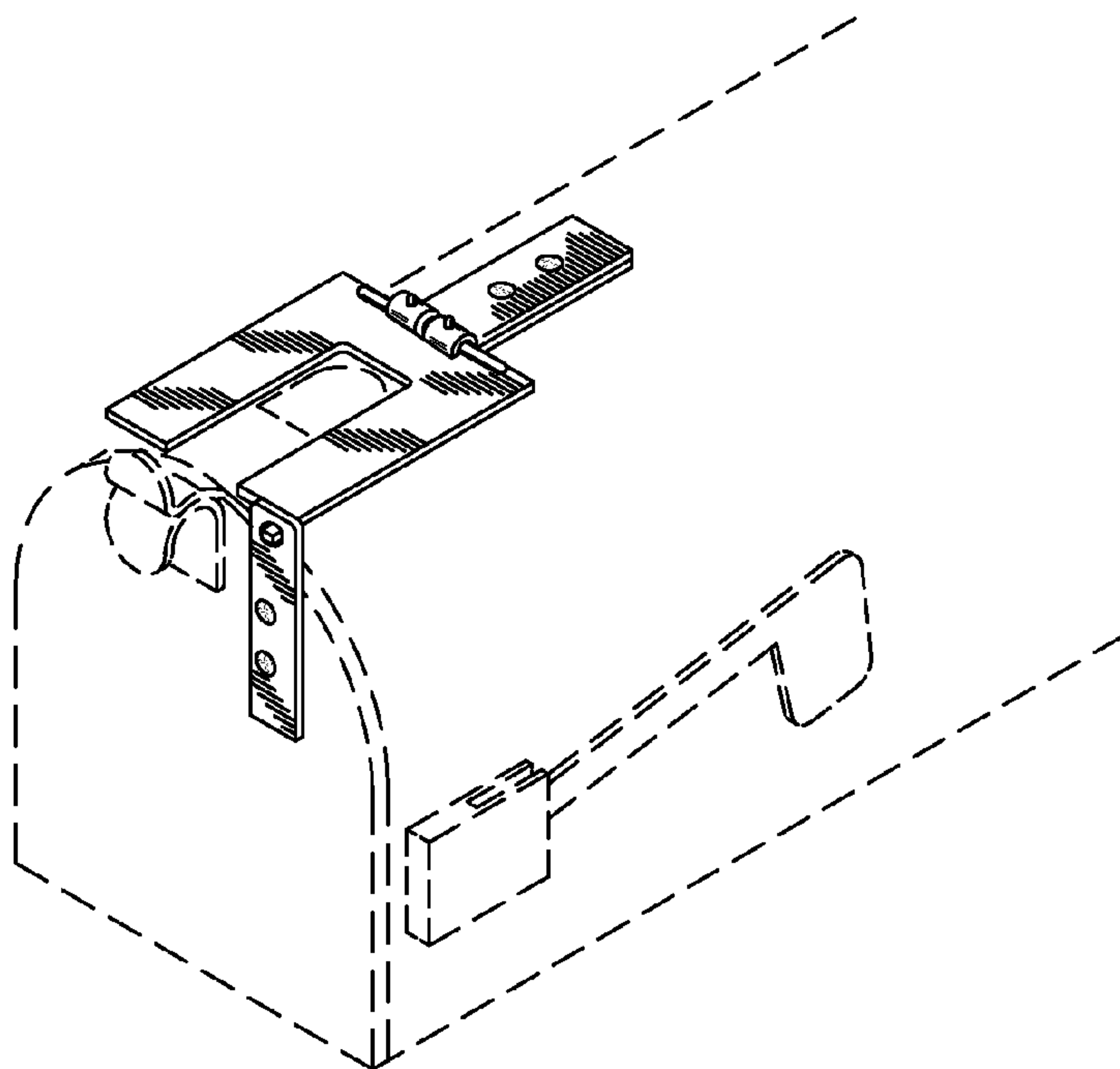


FIG. 1

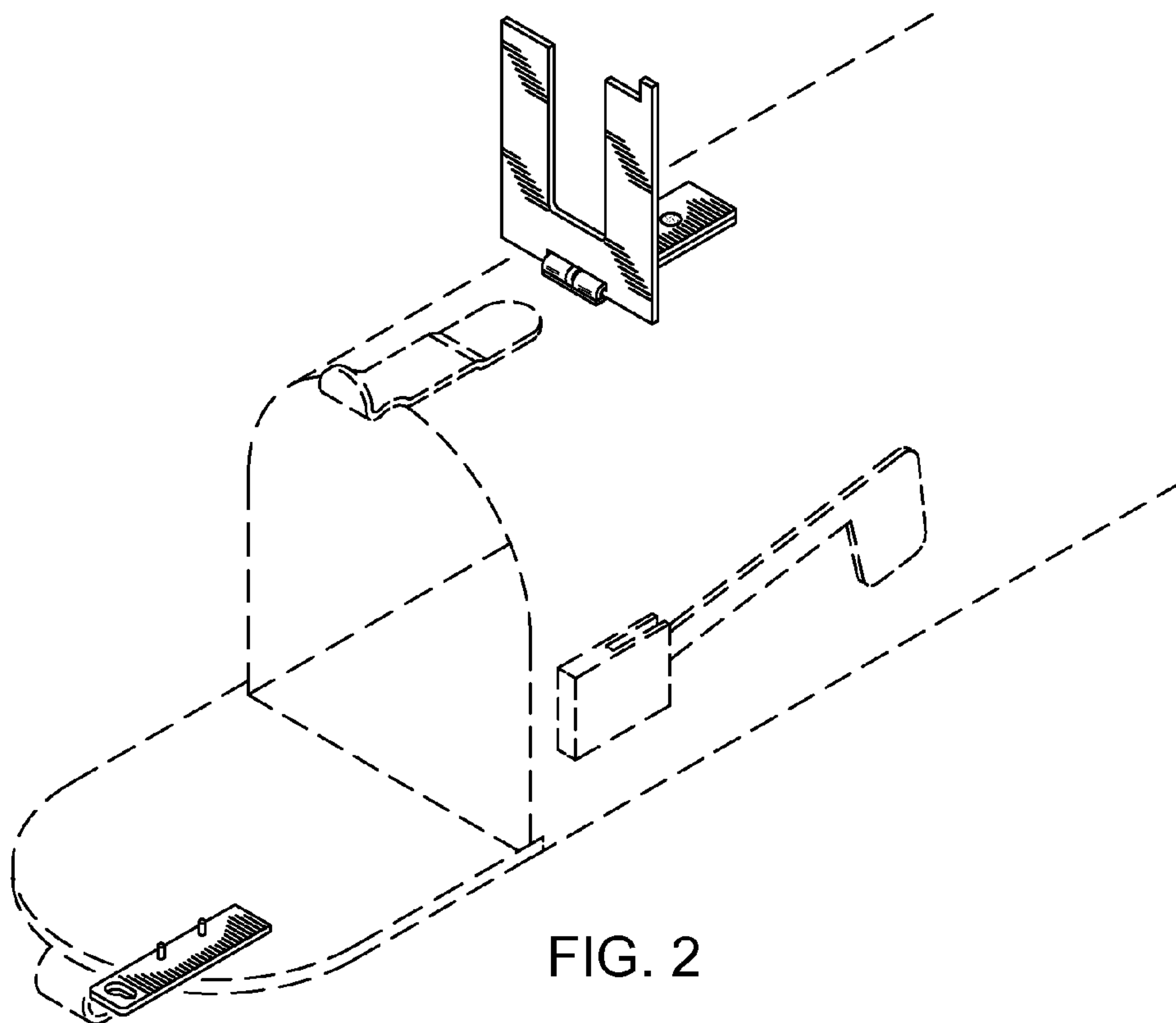


FIG. 2

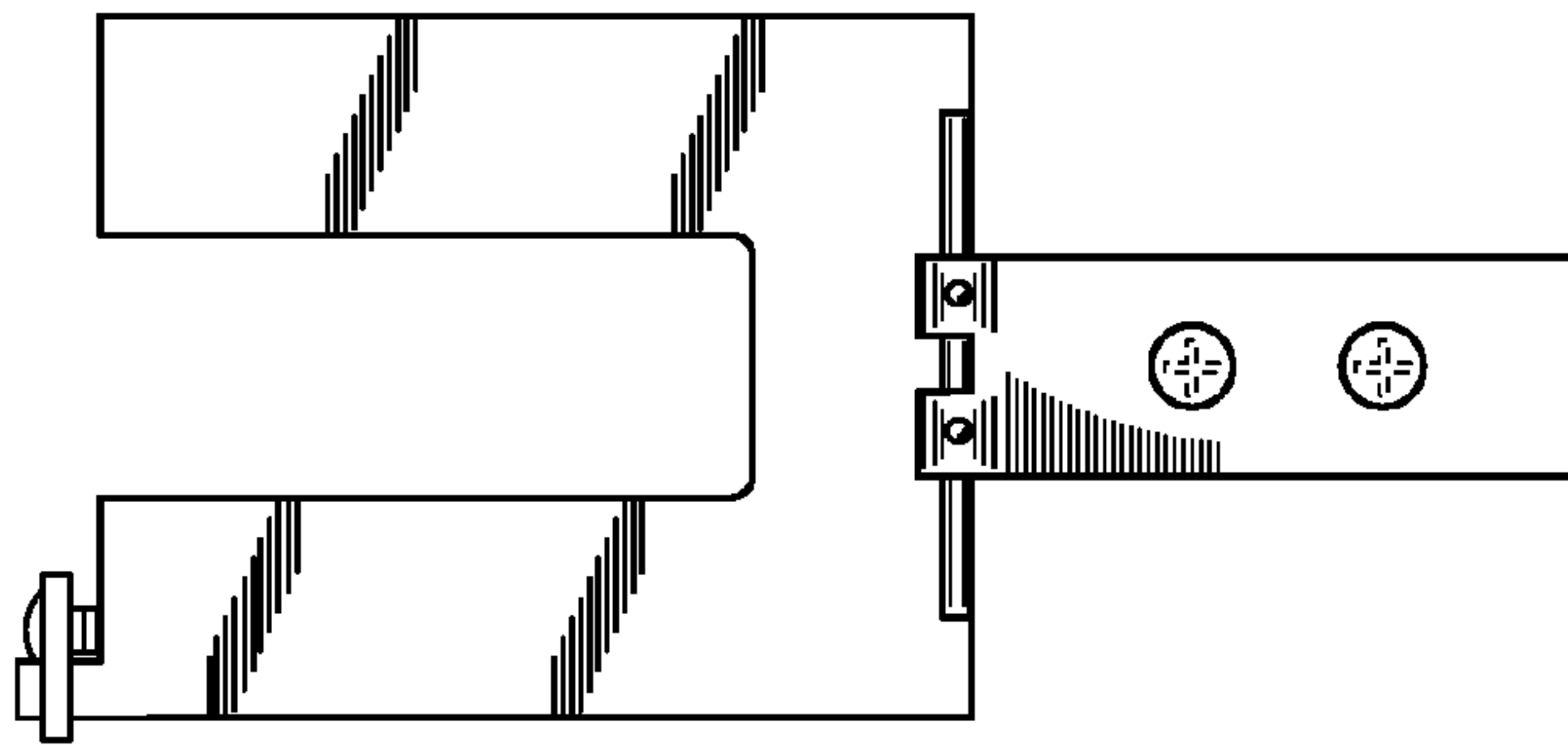


FIG. 3

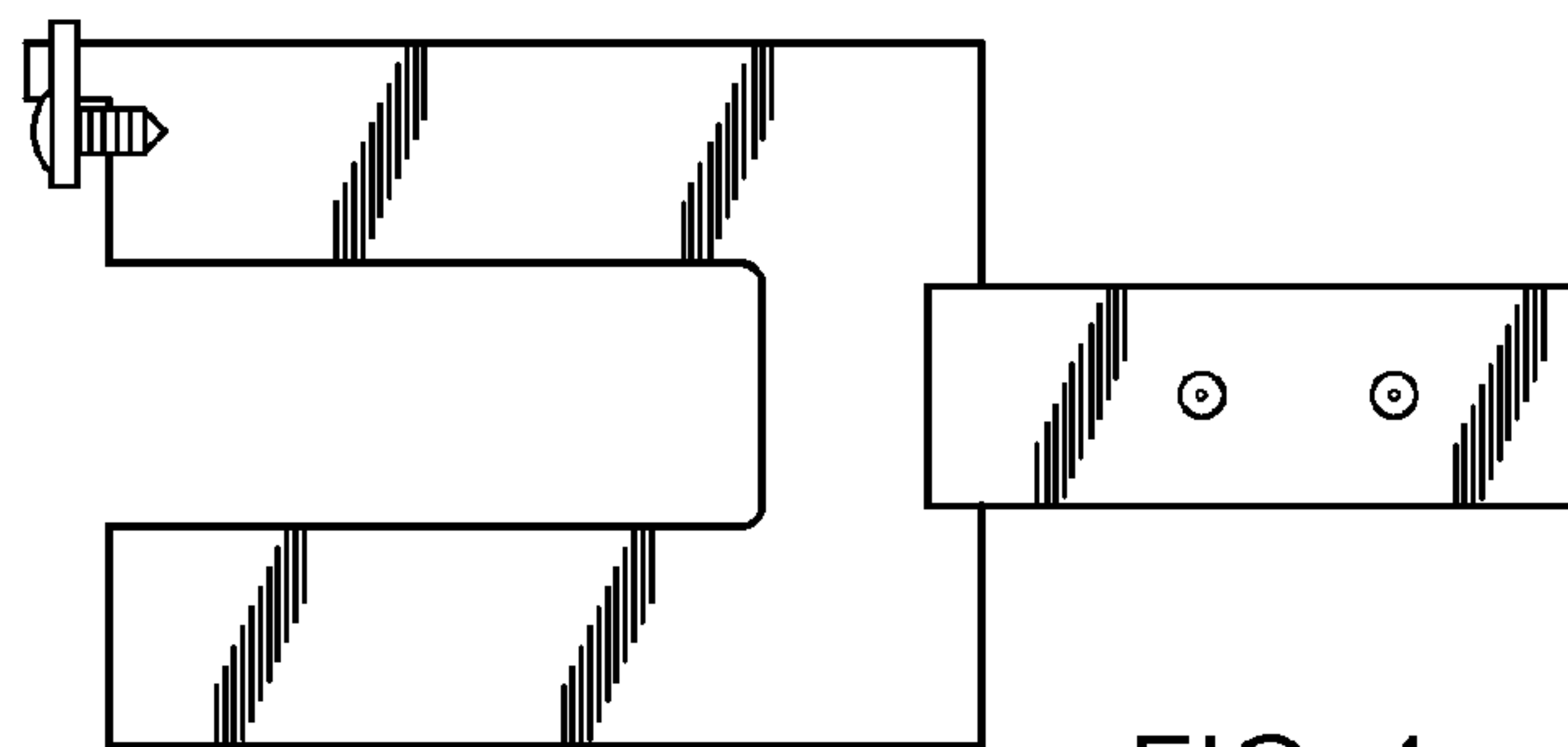


FIG. 4

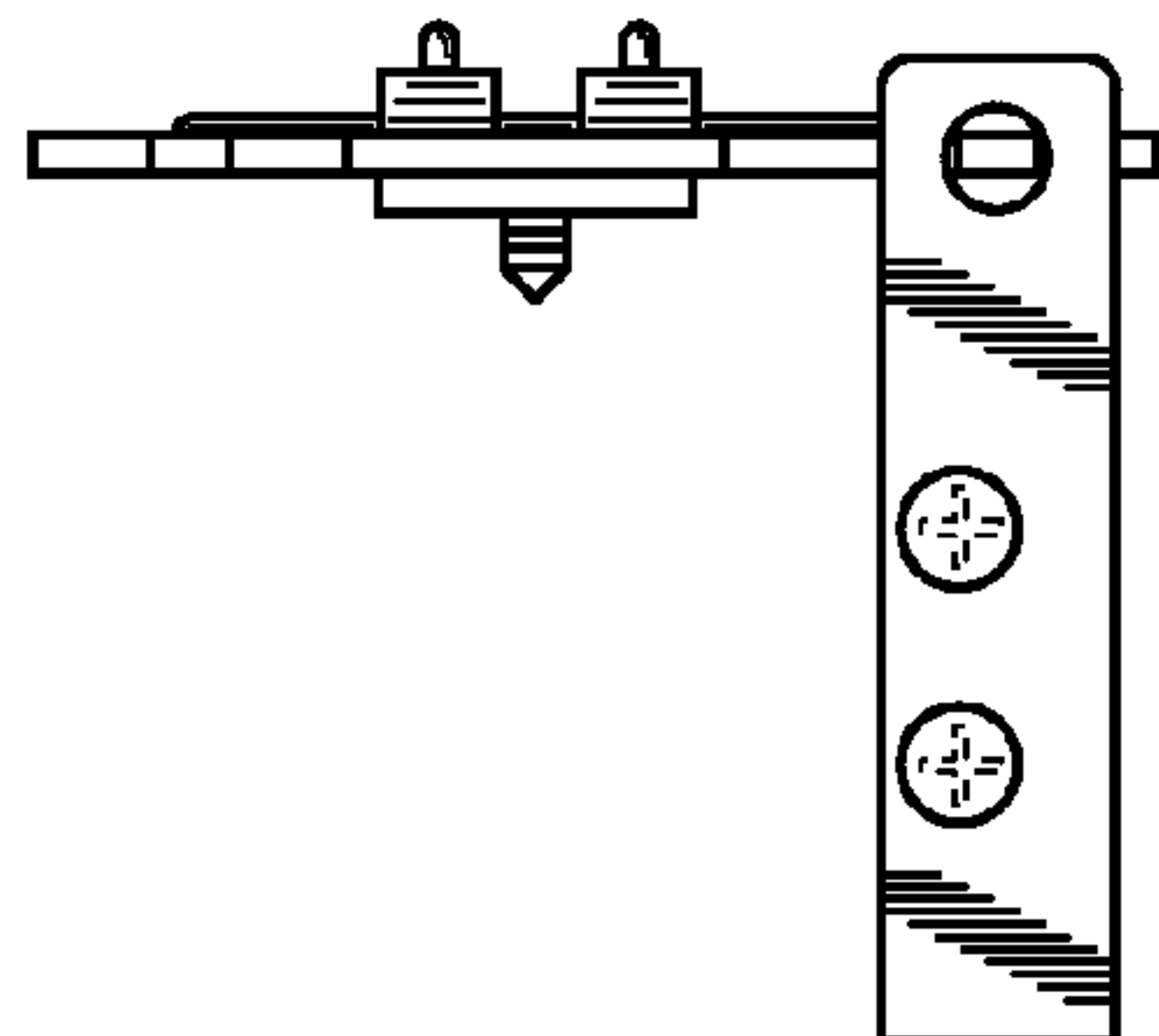


FIG. 5

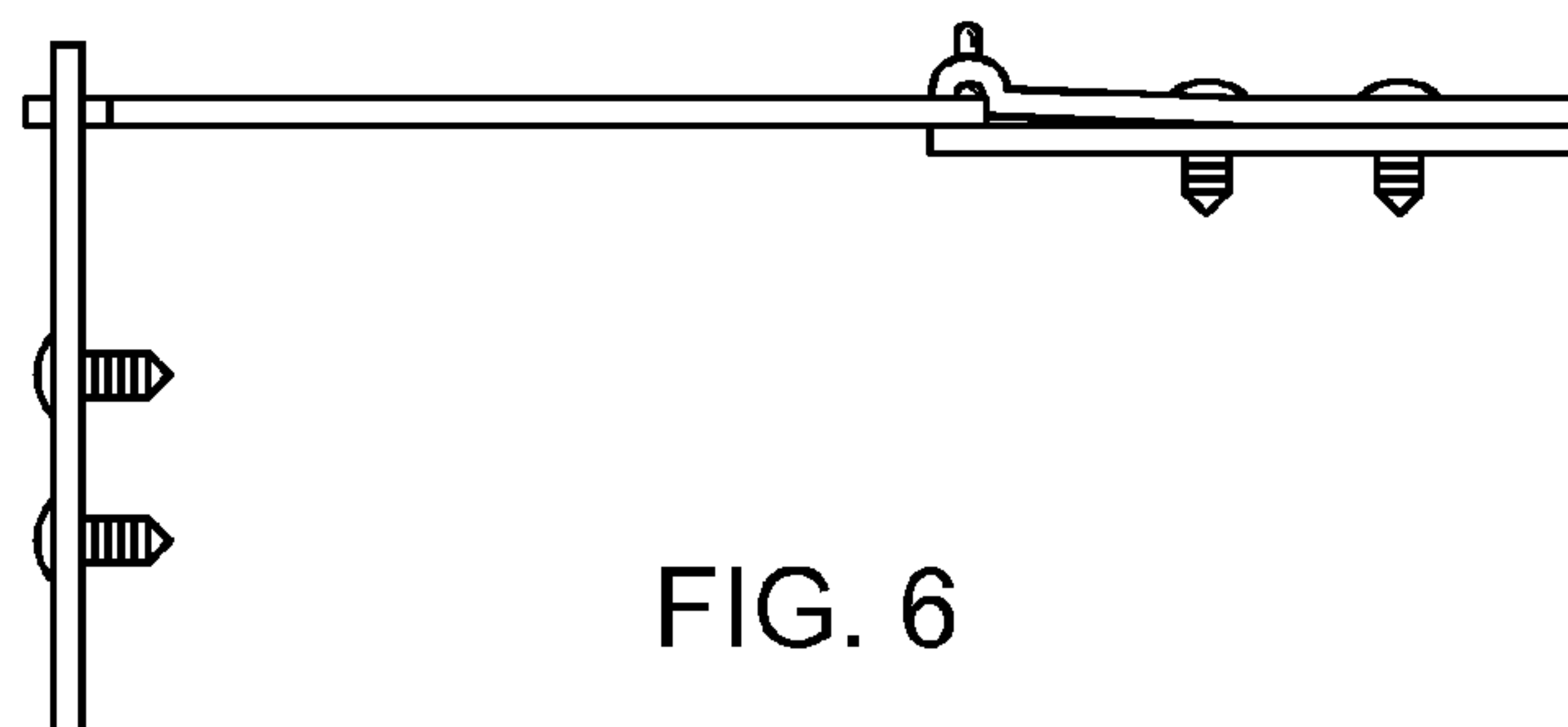


FIG. 6

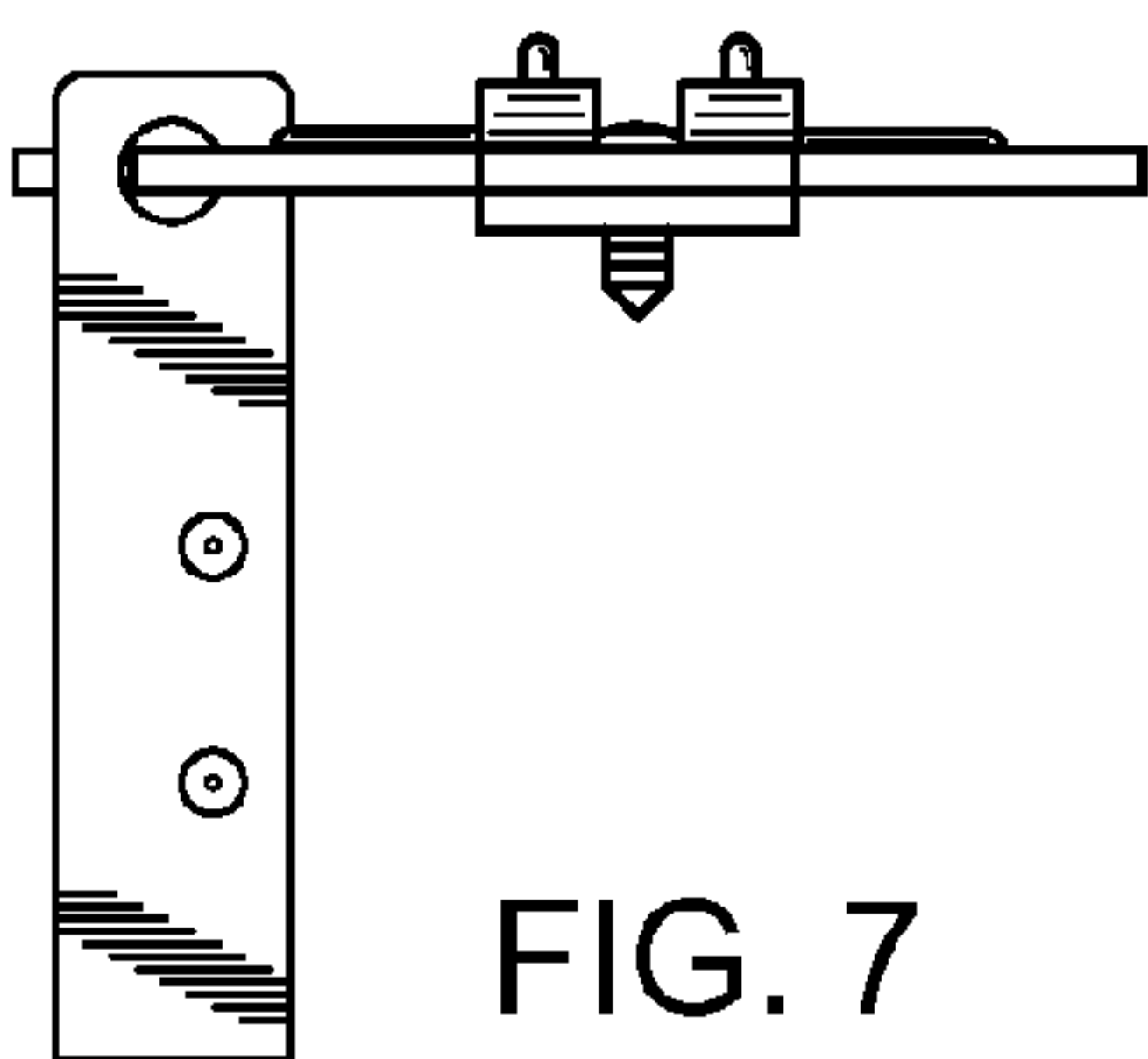


FIG. 7

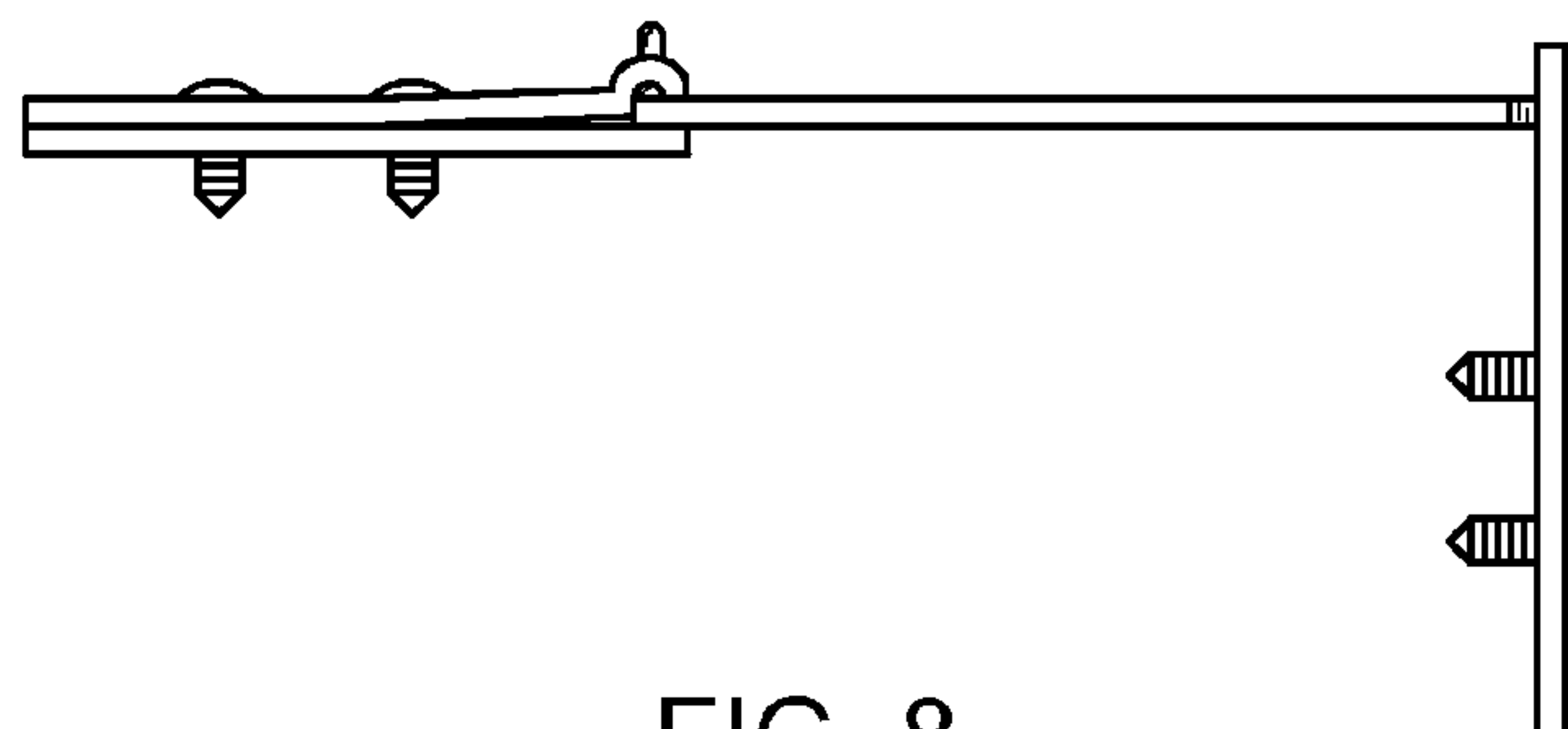


FIG. 8