



US00D653011S

(12) **United States Design Patent**
Myers

(10) **Patent No.:** **US D653,011 S**
(45) **Date of Patent:** **** Jan. 24, 2012**

(54) **CREMATION URN**
(75) Inventor: **Douglas R. Myers**, Morristown, TN
(US)
(73) Assignee: **Adams Wood Products, Inc.**,
Morristown, TN (US)
(**) Term: **14 Years**
(21) Appl. No.: **29/385,880**
(22) Filed: **Feb. 22, 2011**
(51) **LOC (9) Cl.** **99-00**
(52) **U.S. Cl.** **D99/5**
(58) **Field of Classification Search** D99/1,
D99/5; 27/1, 6, 35; D7/540, 615; D9/545,
D9/548; 52/136, 138; 220/228; D23/367;
D28/91.1; D11/154
See application file for complete search history.

D360,732 S * 7/1995 Parker D99/5
5,832,575 A * 11/1998 Sturino 27/1
D438,685 S * 3/2001 Robinson D99/5
D440,376 S * 4/2001 Robinson D99/5
D440,732 S * 4/2001 Robinson D99/5
D454,242 S * 3/2002 Dziekonski D99/5
D479,380 S * 9/2003 Robinson D99/5
D479,381 S * 9/2003 Robinson D99/5
D479,639 S * 9/2003 Robinson D99/5
D479,640 S * 9/2003 Robinson D99/5
D479,641 S * 9/2003 Robinson D99/5
D479,900 S * 9/2003 Robinson D99/5

* cited by examiner

Primary Examiner — Paula Greene

(74) *Attorney, Agent, or Firm* — Pitts, Lake & Bell, P.C.

(57) **CLAIM**

I claim the ornamental design for a cremation urn, as shown and described.

DESCRIPTION

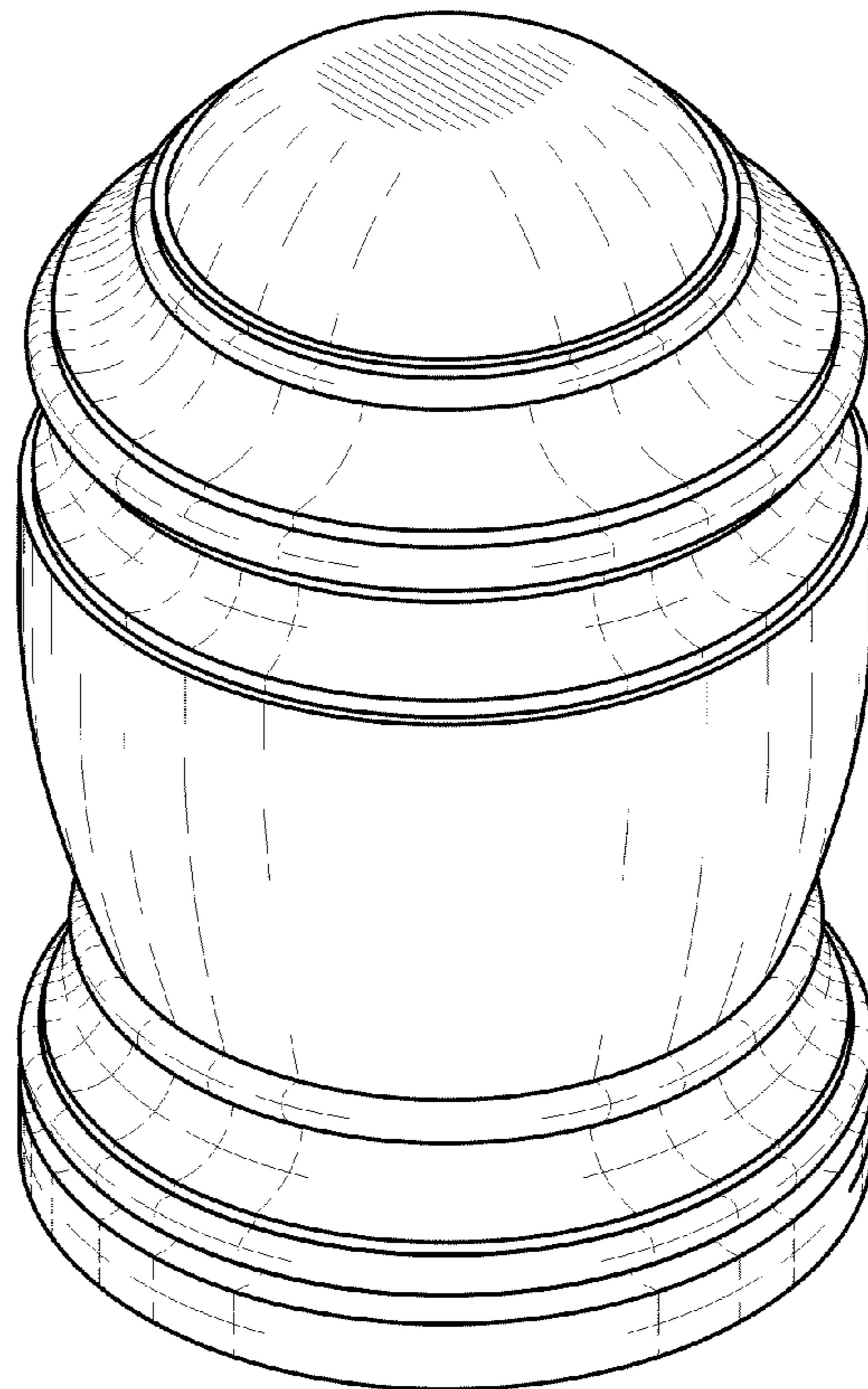
FIG. 1 is a perspective view of the design of the present invention for a cremation urn;
FIG. 2 is a front elevation view of the cremation urn of FIG. 1, the back, left and right elevation views being identical thereto;
FIG. 3 is a top end view of the cremation urn of FIG. 1; and,
FIG. 4 is a bottom end view of the cremation urn of FIG. 1.

1 Claim, 2 Drawing Sheets

(56) **References Cited**

U.S. PATENT DOCUMENTS

D75,124 S * 5/1928 Jenkins D9/545
D98,914 S * 3/1936 Briscoe D99/5
D108,081 S * 1/1938 Kahn D9/504
2,235,617 A * 3/1941 Klinzing 220/288
3,051,303 A * 8/1962 Daanen et al. 206/776
5,383,558 A * 1/1995 Wilkinson et al. 206/508
D356,422 S * 3/1995 Parker D99/5



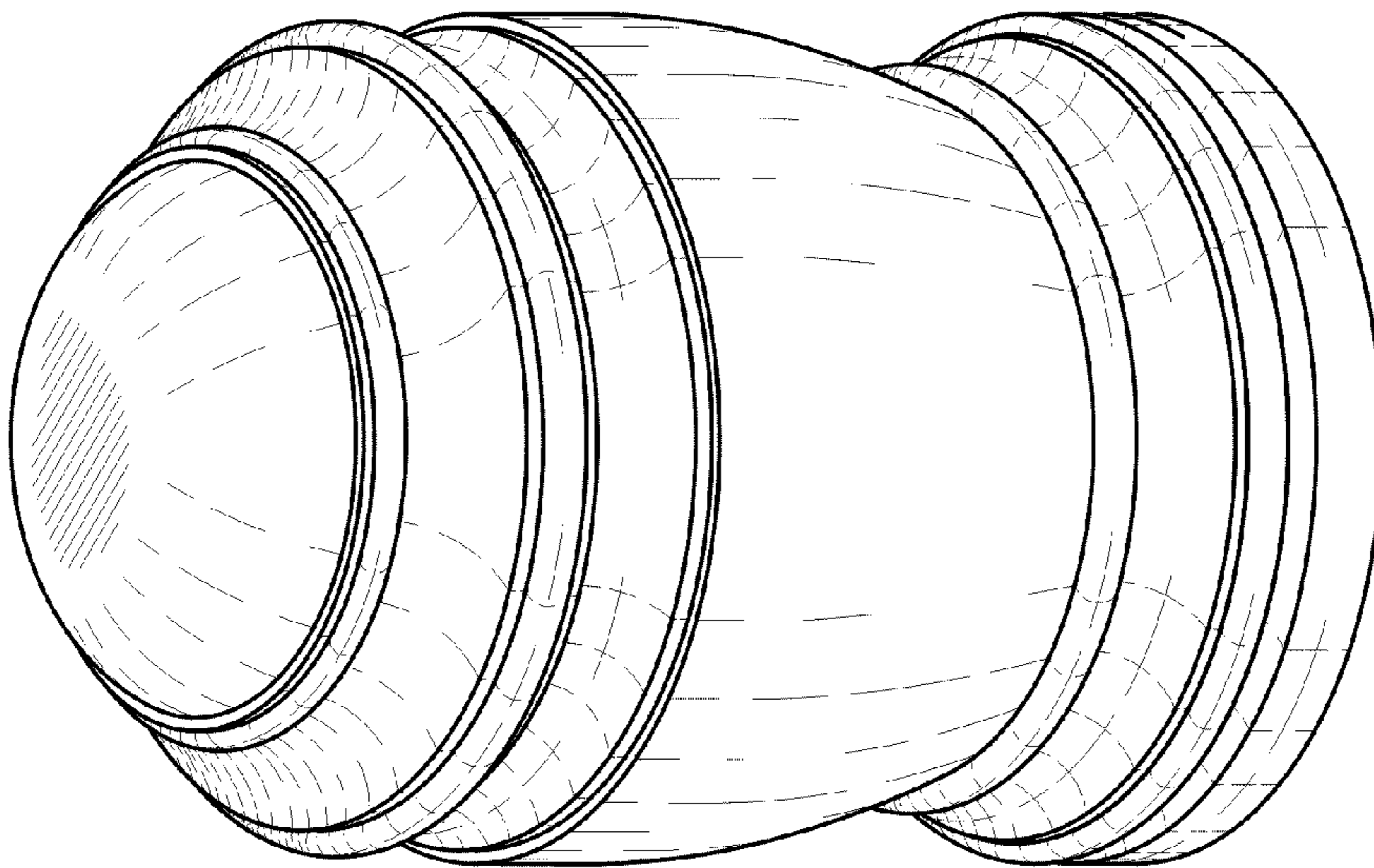


Fig. 1

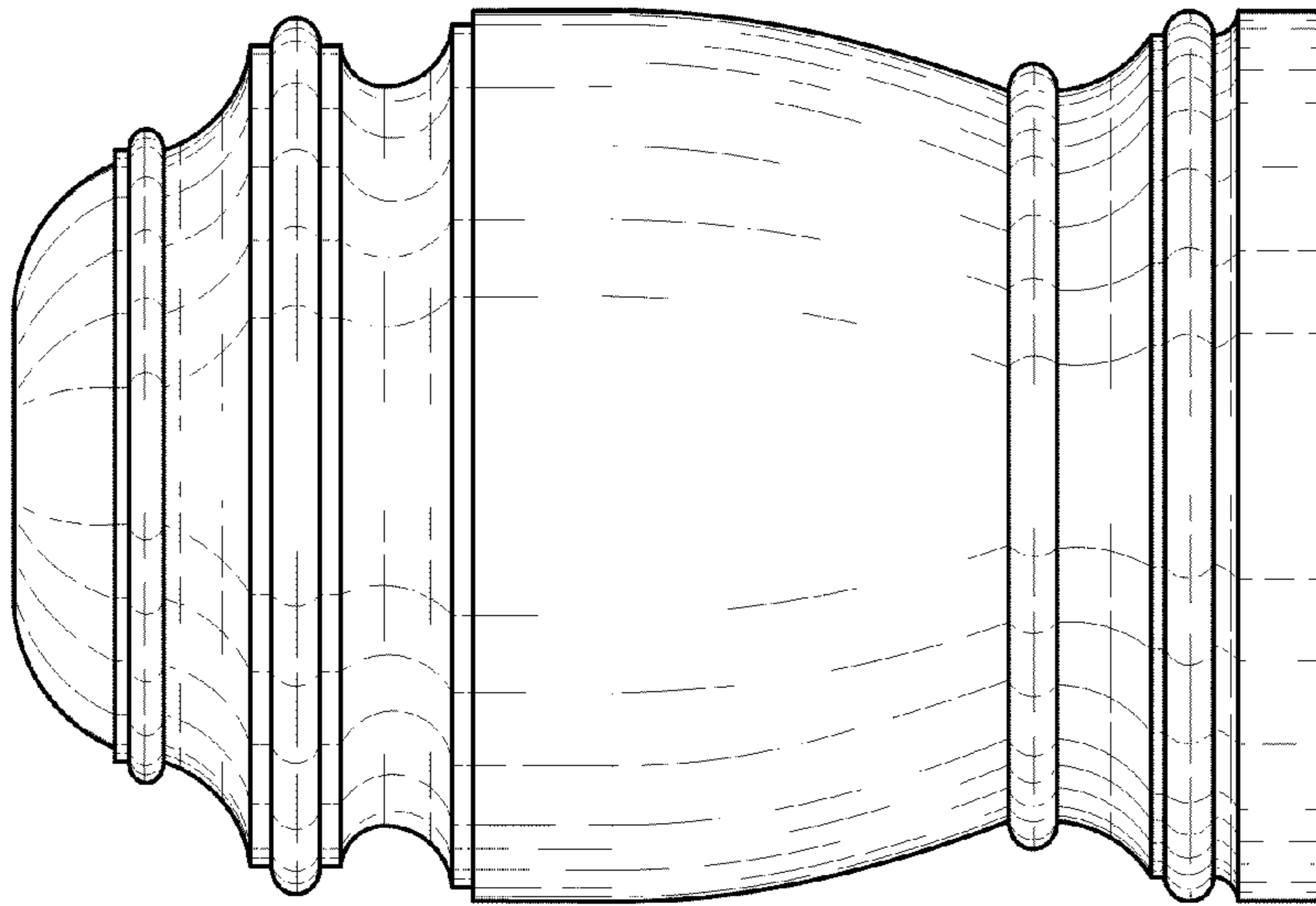


Fig. 2

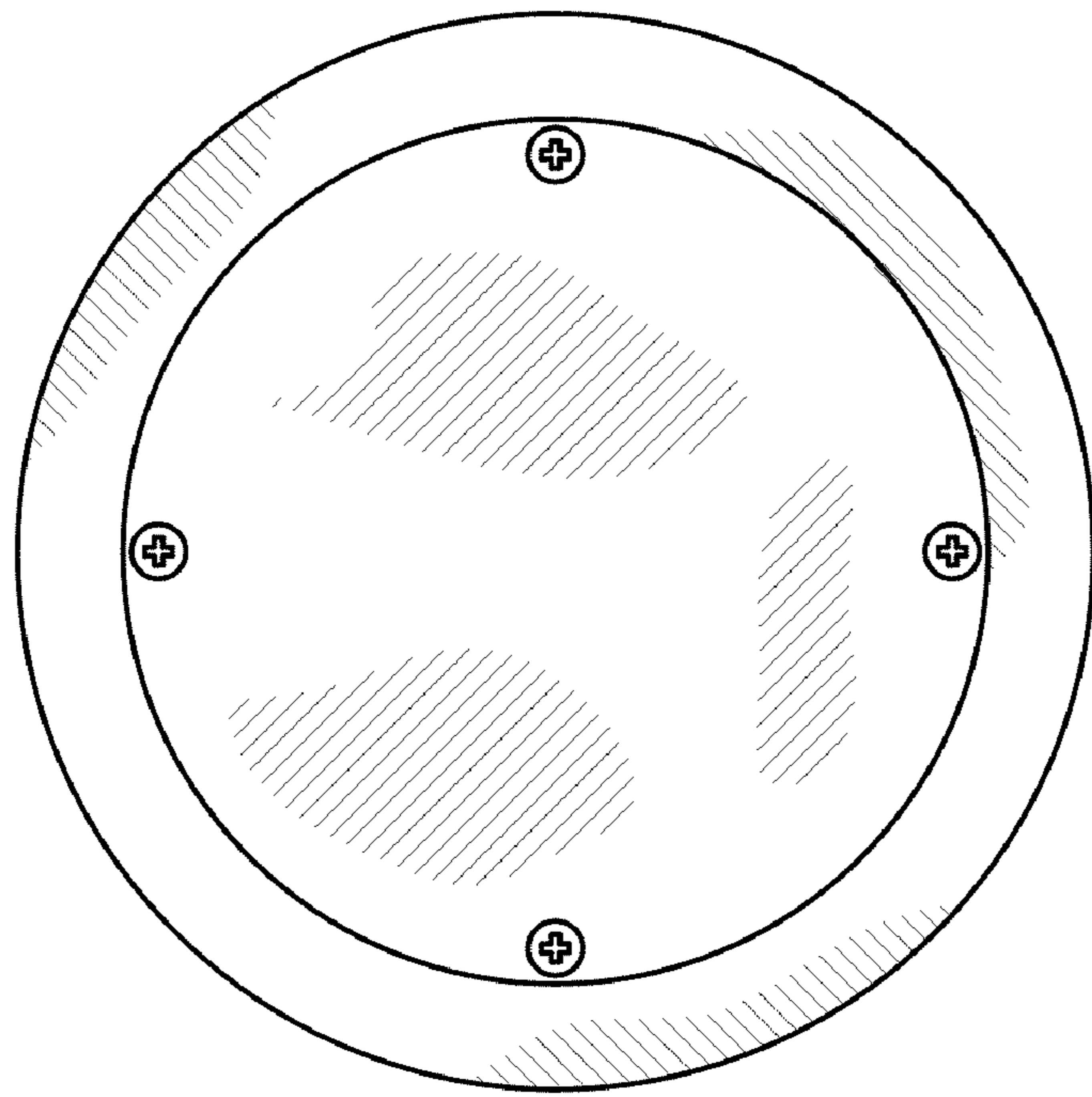


Fig. 4

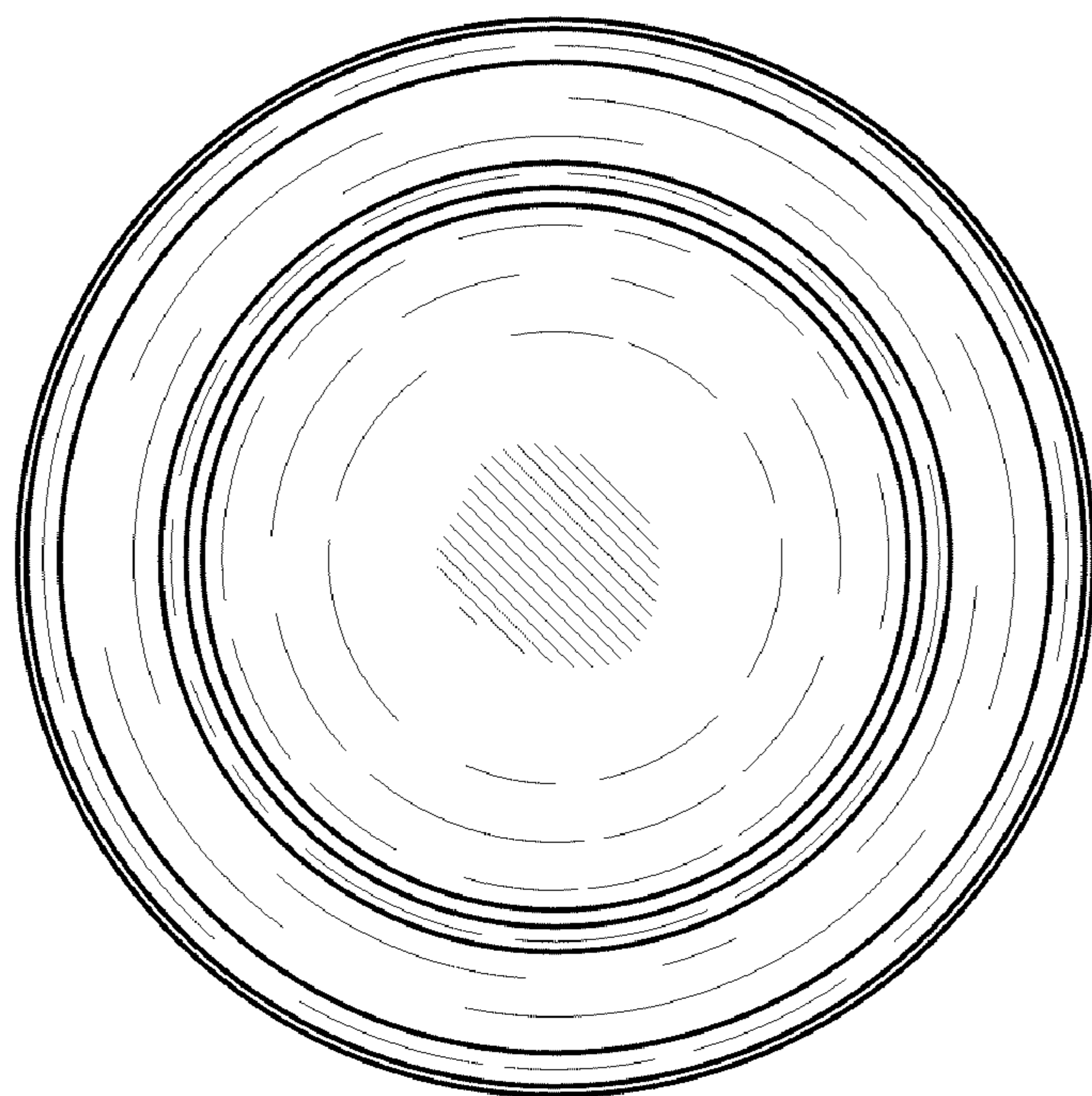


Fig. 3