



US00D653008S

(12) **United States Design Patent**  
**Houghton**

(10) **Patent No.:** **US D653,008 S**

(45) **Date of Patent:** **\*\* \*Jan. 24, 2012**

(54) **HAND-HELD VACUUM CLEANER**

(75) Inventor: **Stephen Houghton**, Newcastle upon Tyne (GB)

(73) Assignee: **Black & Decker Inc.**, Newark, DE (US)

(\*) Notice: This patent is subject to a terminal disclaimer.

(\*\*) Term: **14 Years**

(21) Appl. No.: **29/363,205**

(22) Filed: **Jun. 7, 2010**

(30) **Foreign Application Priority Data**

Dec. 11, 2009 (GB) ..... 001183933

(51) **LOC (9) Cl.** ..... **15-05**

(52) **U.S. Cl.** ..... **D32/18**

(58) **Field of Classification Search** ..... D32/17-18,  
D32/31-33; 15/344, 329, 338, 335, 414,  
15/415.1, 418-422, 409, 300.1, 322, 320  
See application file for complete search history.

(56) **References Cited**

**U.S. PATENT DOCUMENTS**

D480,846 S \* 10/2003 Ki ..... D32/18  
D501,065 S \* 1/2005 Ma ..... D32/18  
D504,985 S \* 5/2005 Buzzi ..... D32/17

D506,297 S \* 6/2005 Buzzi ..... D32/17  
D507,385 S \* 7/2005 Ma ..... D32/18  
D526,752 S \* 8/2006 Rosenzweig ..... D32/18  
D569,059 S \* 5/2008 Stratford ..... D32/18  
D569,060 S \* 5/2008 Stratford ..... D32/18  
D579,161 S \* 10/2008 Crawley ..... D32/18  
D595,017 S \* 6/2009 Baxter et al. .... D32/18

\* cited by examiner

*Primary Examiner* — Ruth McInroy

(74) *Attorney, Agent, or Firm* — John Yun

(57) **CLAIM**

The ornamental design for a hand-held vacuum cleaner, as shown and described.

**DESCRIPTION**

FIG. 1 is a perspective view of a hand-held vacuum cleaner with showing my new design.

FIG. 2 is a right side view of the hand-held vacuum cleaner according to FIG. 1.

FIG. 3 is a left side view of the hand-held vacuum cleaner according to FIG. 1.

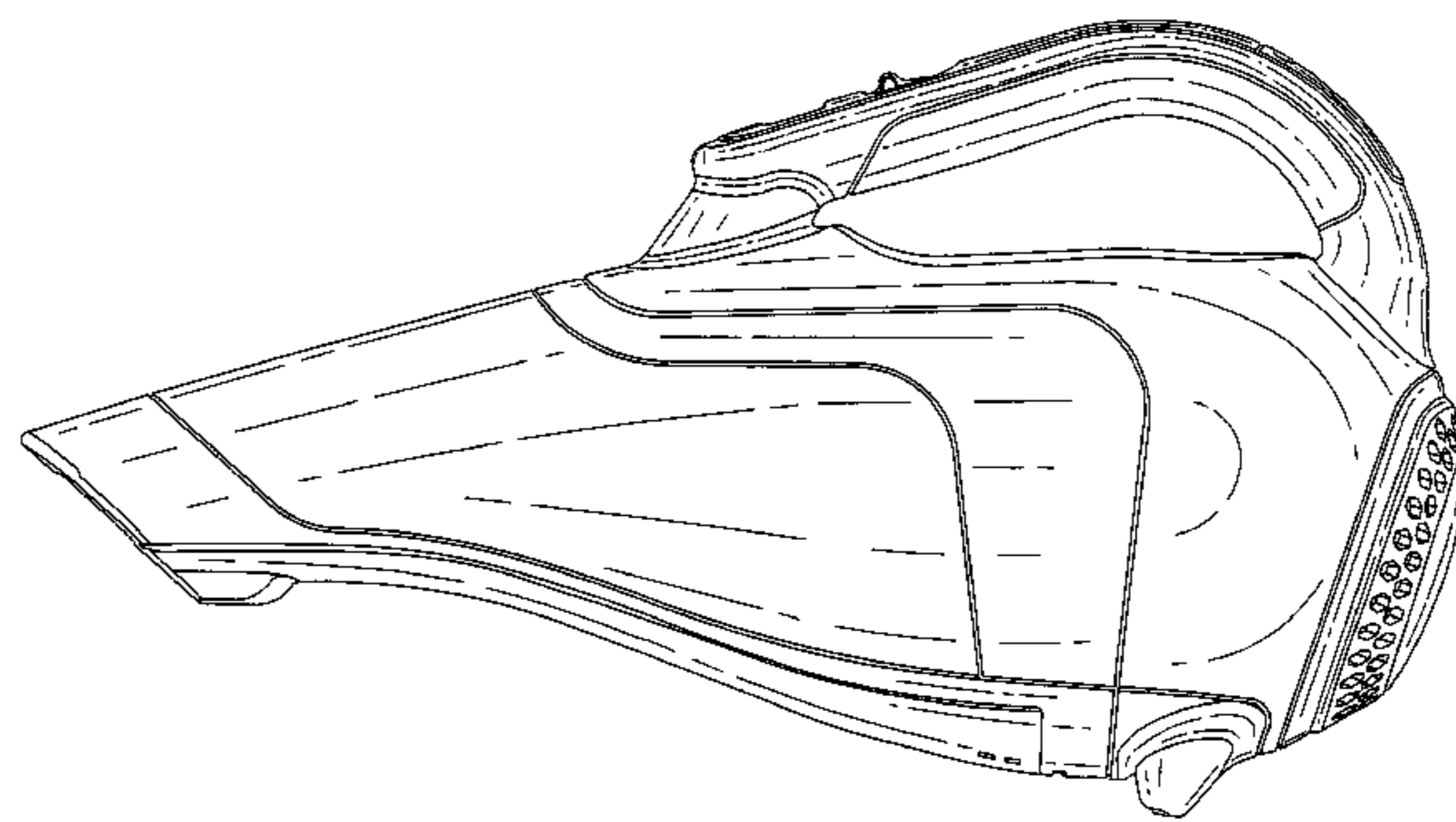
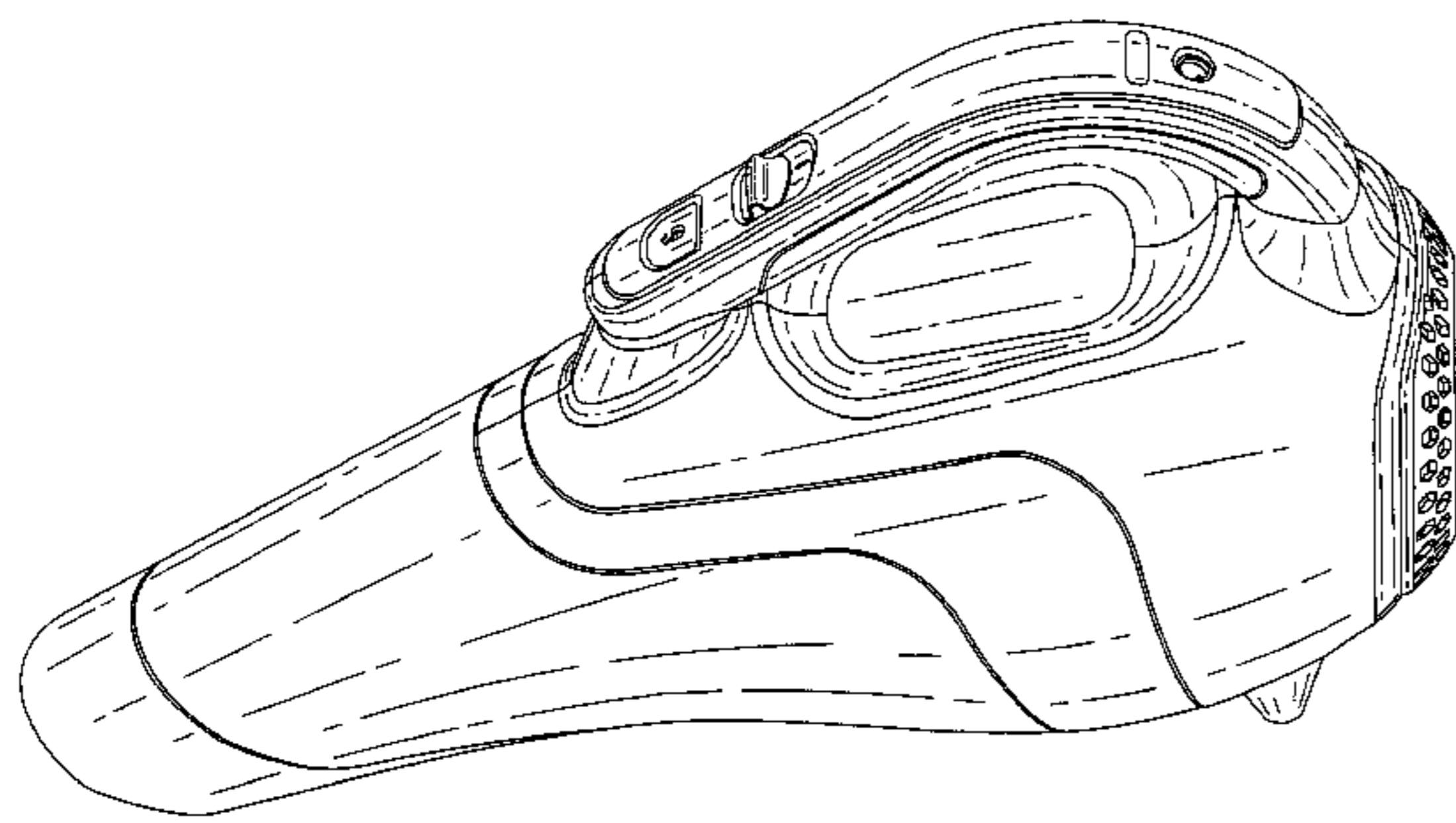
FIG. 4 is a front view of the hand-held vacuum cleaner according to FIG. 1.

FIG. 5 is a rear view of the hand-held vacuum cleaner according to FIG. 1.

FIG. 6 is a top view of the hand-held vacuum cleaner according to FIG. 1; and,

FIG. 7 is a bottom view of the hand-held vacuum cleaner according to FIG. 1.

**1 Claim, 6 Drawing Sheets**



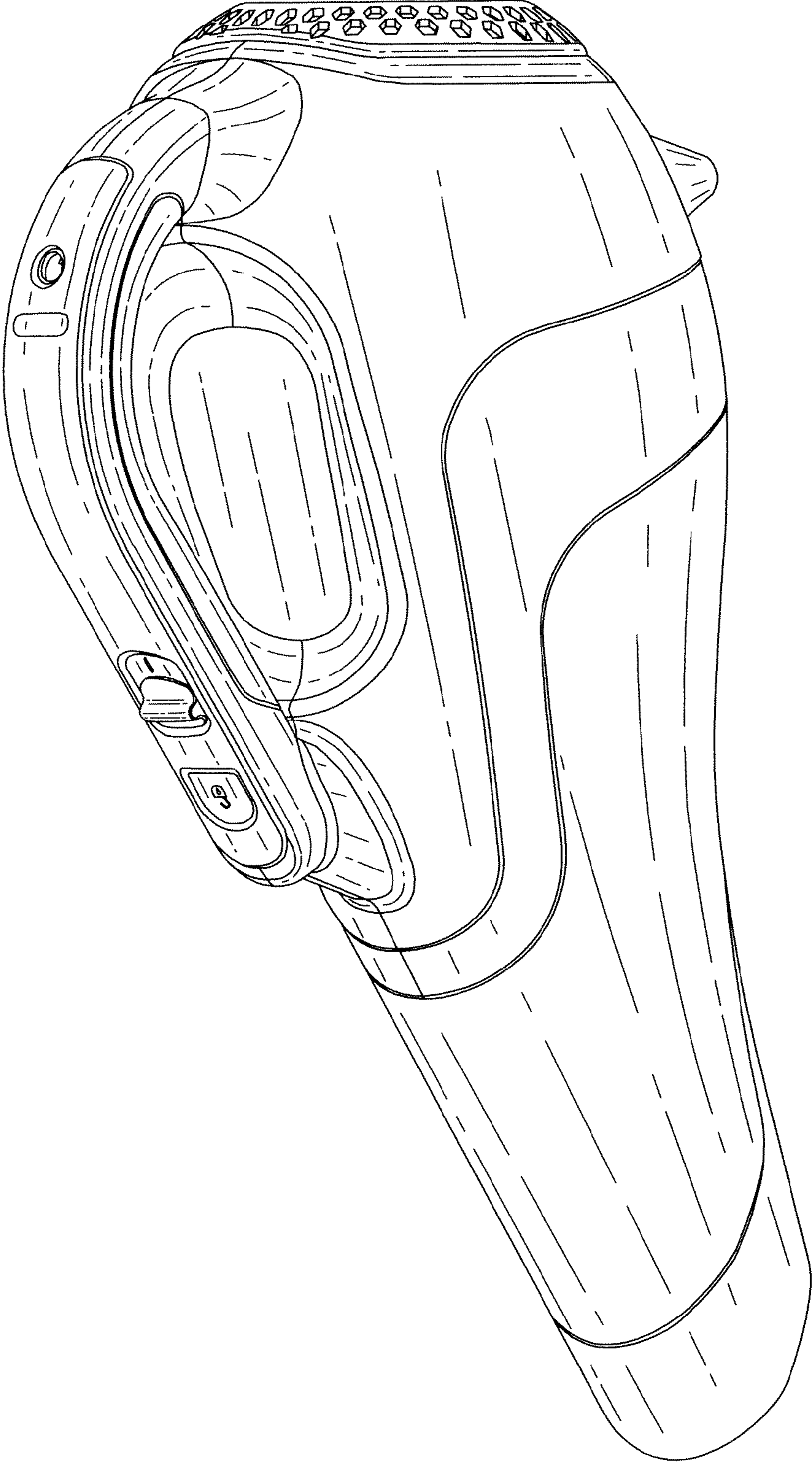


FIG.1

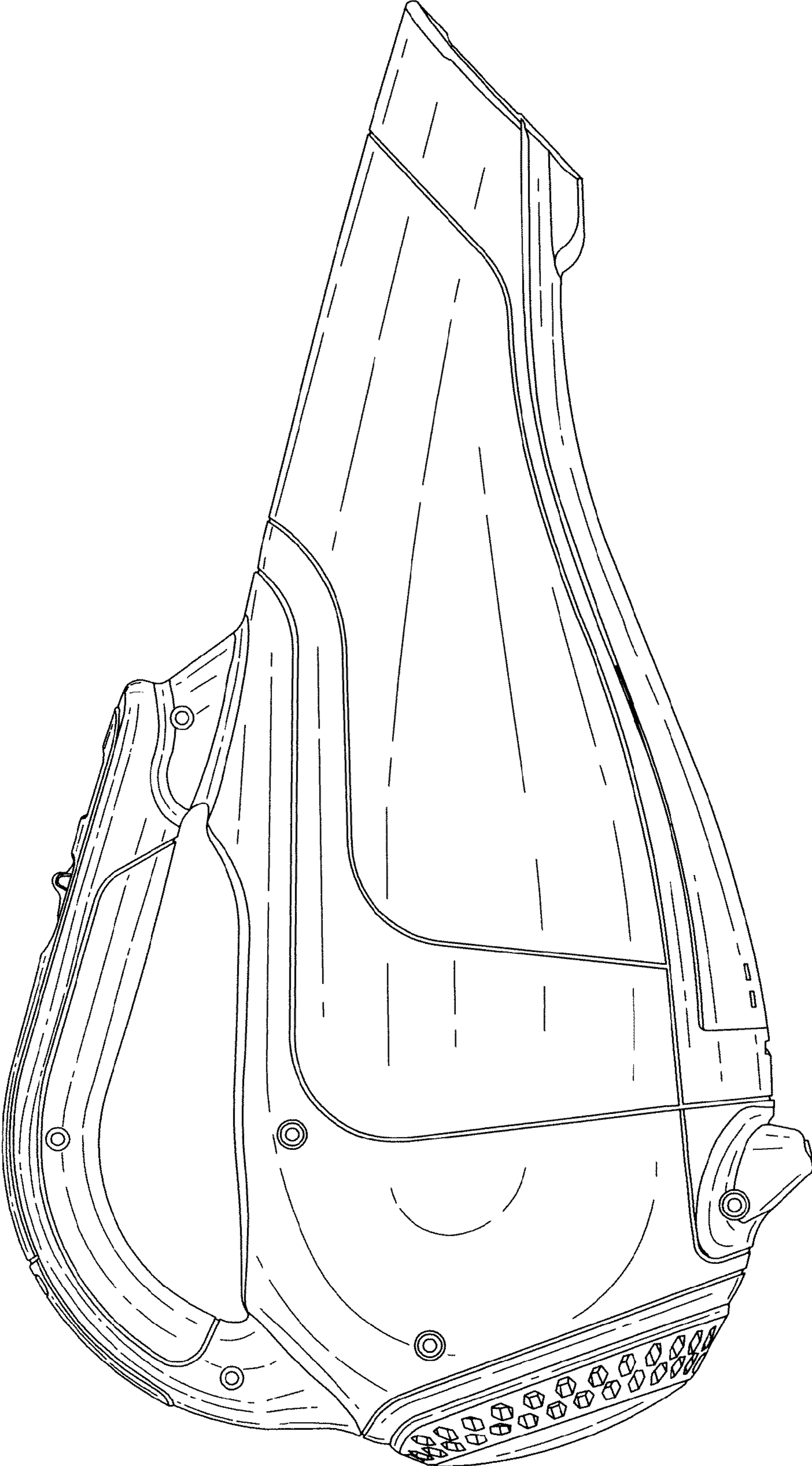


FIG.2



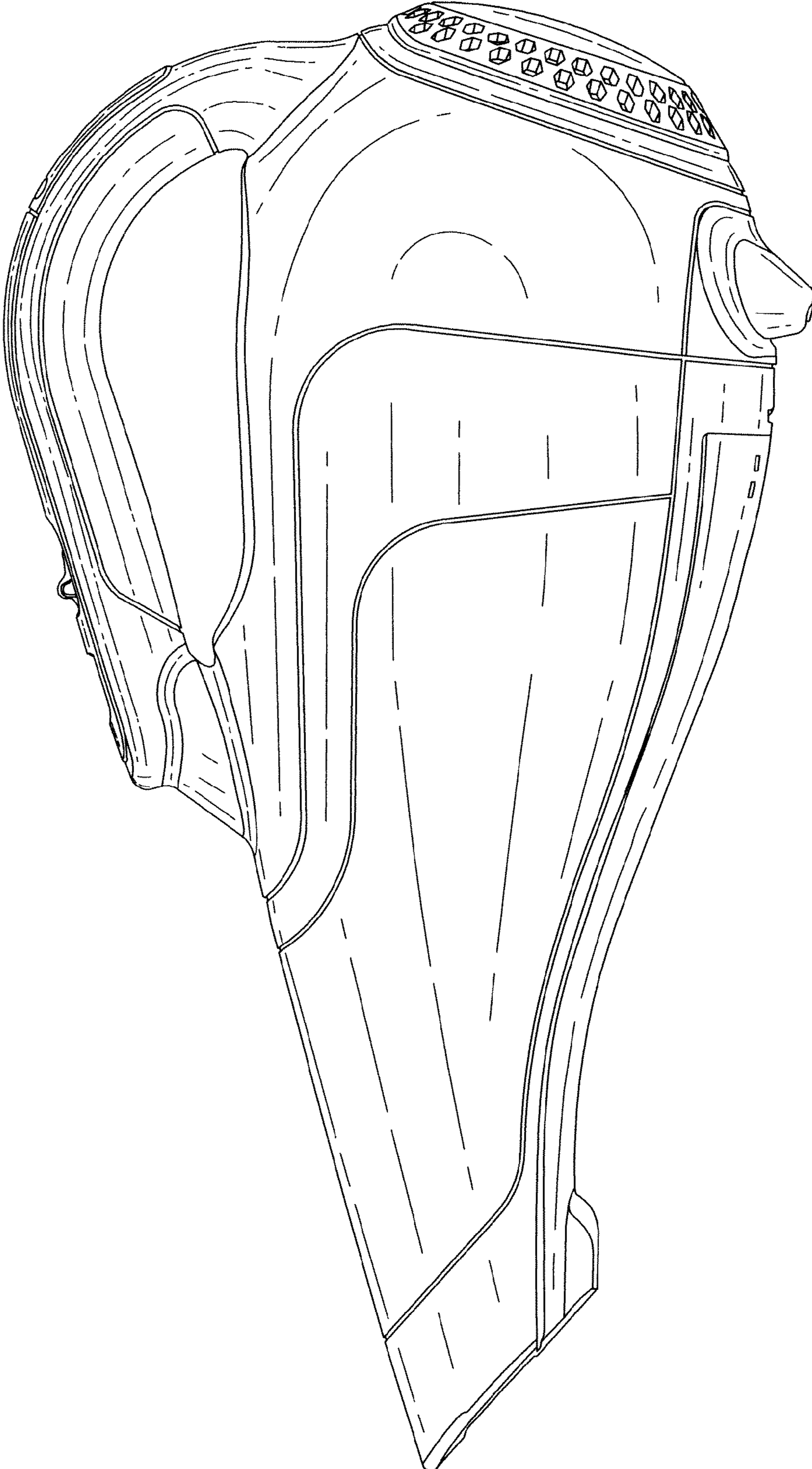


FIG.3

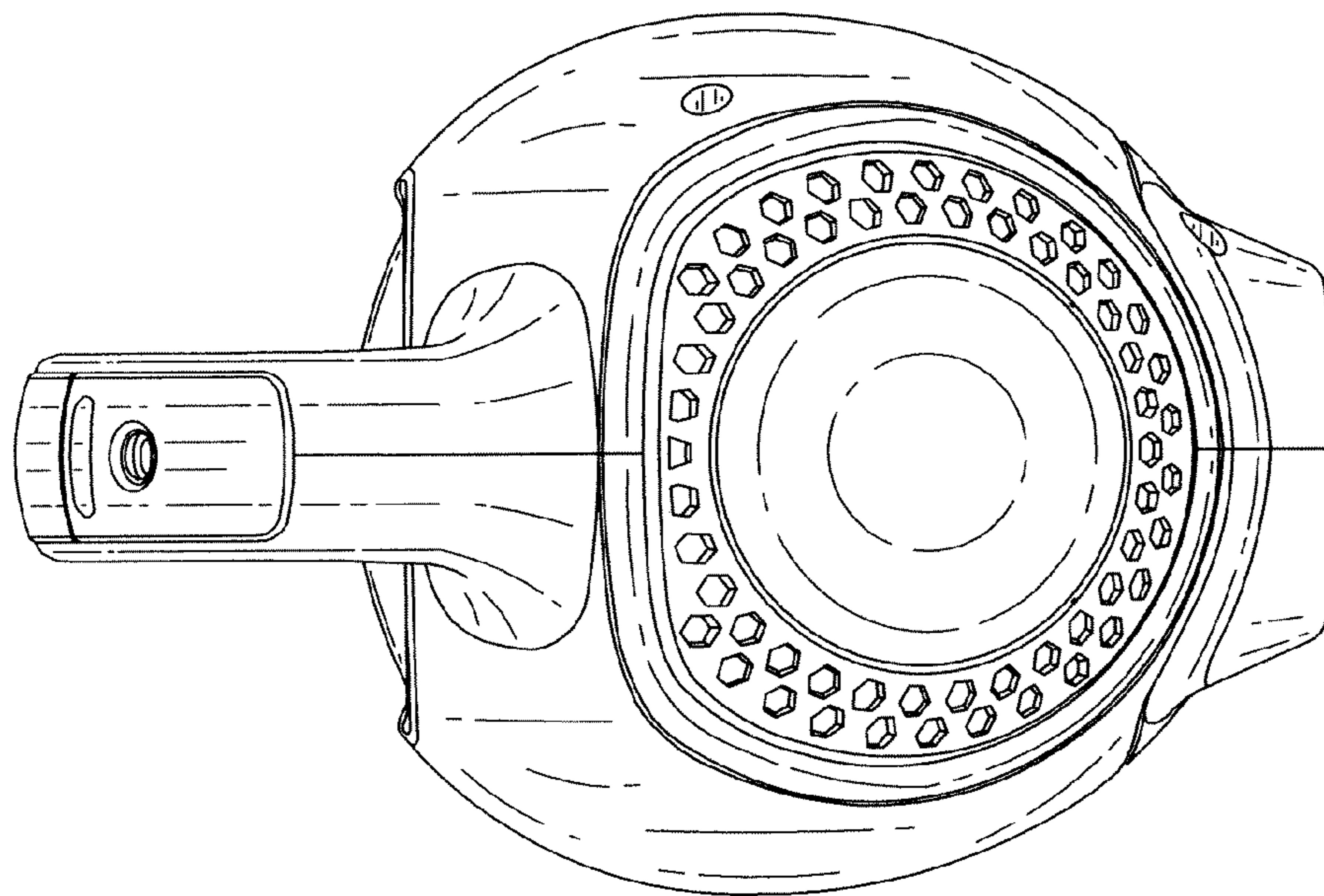


FIG.5

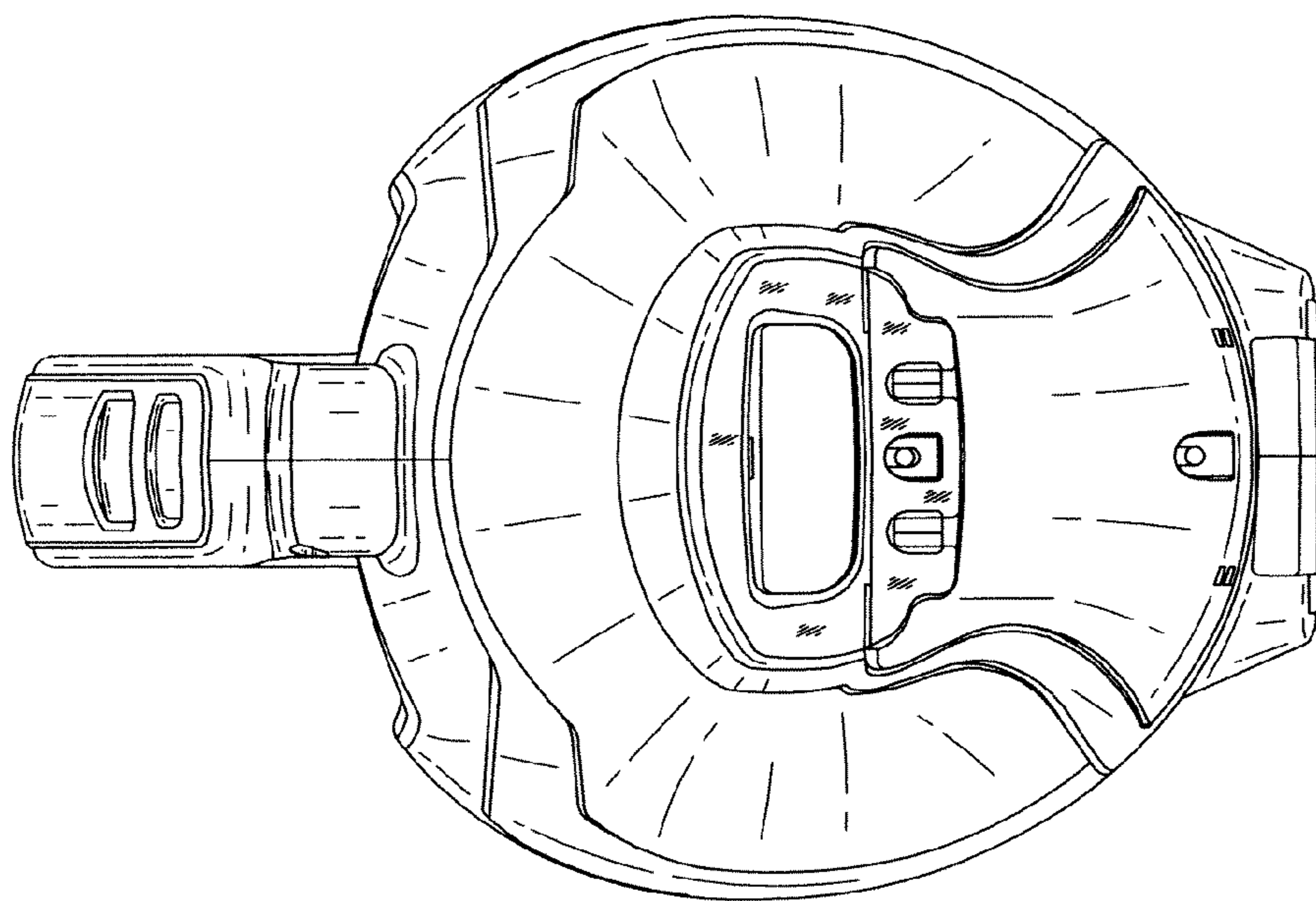


FIG.4

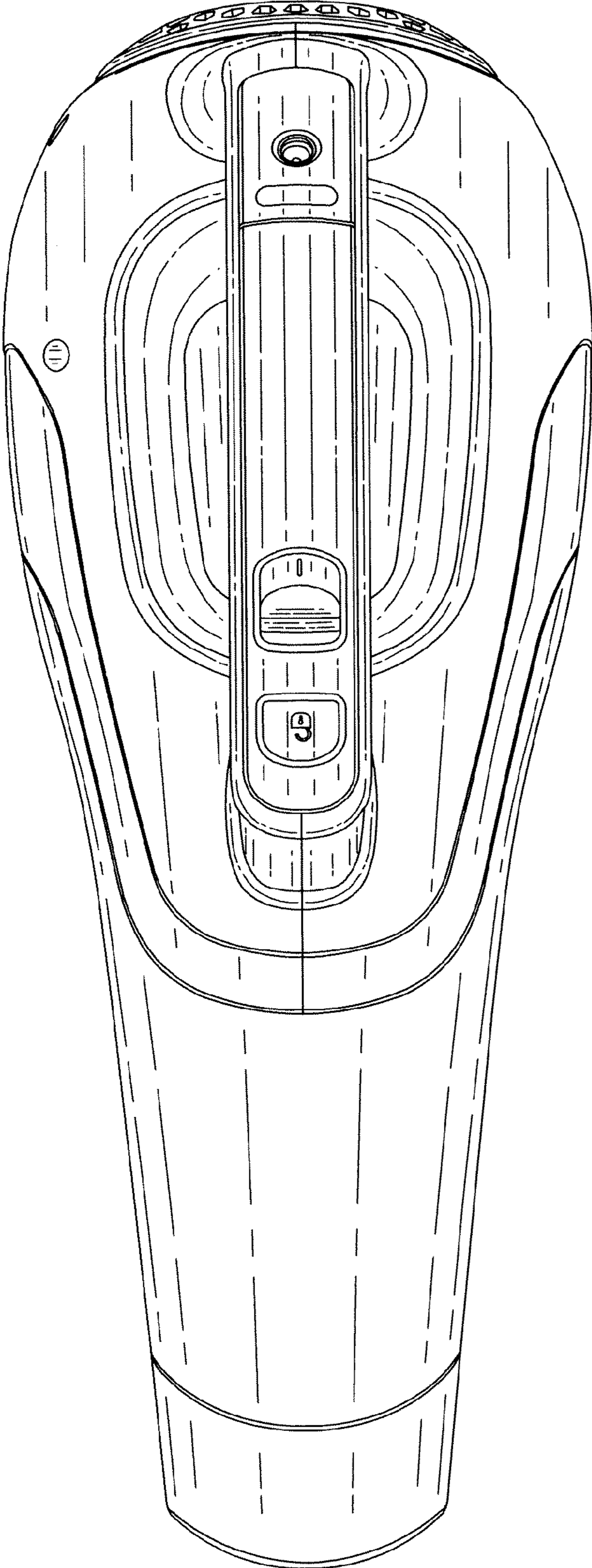


FIG.6



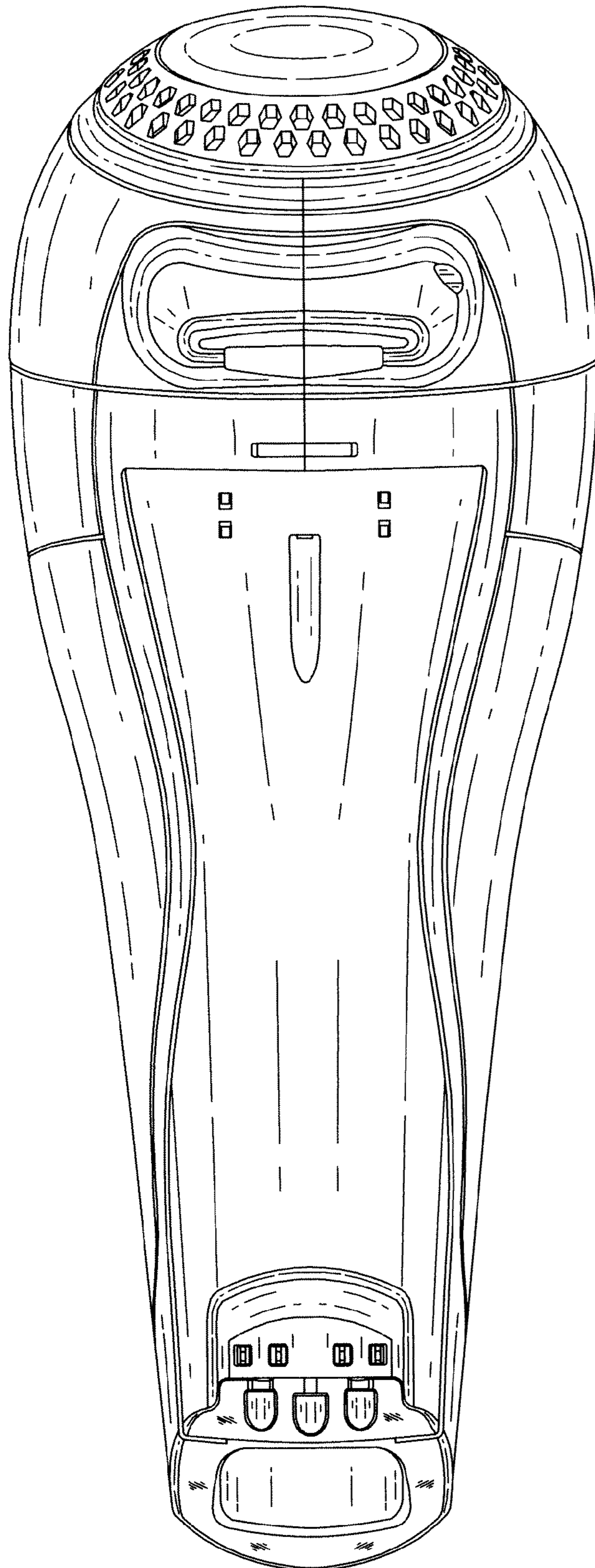


FIG.7