



US00D653006S

(12) **United States Design Patent**
Takahashi

(10) **Patent No.:** **US D653,006 S**
(45) **Date of Patent:** **** Jan. 24, 2012**

(54) **CLOTHES DRYER**

7,685,848 B2 * 3/2010 Jeong et al. 68/3 R
D631,622 S * 1/2011 Chung et al. D32/6
D635,727 S * 4/2011 Jeon et al. D32/6

(75) Inventor: **Kyoji Takahashi**, Shiga (JP)

(73) Assignee: **Panasonic Corporation**, Osaka (JP)

(**) Term: **14 Years**

(21) Appl. No.: **29/399,169**

(22) Filed: **Aug. 10, 2011**

(51) **LOC (9) Cl.** **15-05**

(52) **U.S. Cl.** **D32/6**

(58) **Field of Classification Search** D32/1,
D32/5, 6, 8, 10; 68/3 R, 5 R, 12.01, 12.08;
34/87-88, 524, 534; 312/31

See application file for complete search history.

(56) **References Cited**

U.S. PATENT DOCUMENTS

D528,712 S *	9/2006	Ha et al.	D32/6
D528,713 S *	9/2006	Ha et al.	D32/6
D529,242 S *	9/2006	Ha et al.	D32/6
D544,658 S *	6/2007	Kim et al.	D32/6
D549,901 S *	8/2007	Kwon et al.	D32/6
D563,062 S *	2/2008	Eicher et al.	D32/6
D565,809 S *	4/2008	Eicher et al.	D32/6
D575,463 S *	8/2008	Mao et al.	D32/6
D595,908 S *	7/2009	Park et al.	
D611,207 S *	3/2010	Yalcin et al.	D32/6

FOREIGN PATENT DOCUMENTS

CN 301348108 S 9/2010
EM 001261085-0001 3/2011

* cited by examiner

Primary Examiner — T. Chase Nelson

Assistant Examiner — Kathleen M Sims

(74) *Attorney, Agent, or Firm* — Brink Hoffer Gilson & Lione

(57) **CLAIM**

I claim the ornamental design for a clothes dryer, as shown and described.

DESCRIPTION

FIG. 1 is a top perspective view of a clothes dryer of the present invention;

FIG. 2 is a front view thereof;

FIG. 3 is a rear view thereof;

FIG. 4 is a first side view thereof;

FIG. 5 is a second side view thereof;

FIG. 6 is a top view thereof; and,

FIG. 7 is a bottom view thereof.

The broken line showing of details in FIG. 3 is included for the purpose of showing environmental portions of the clothes dryer and forms no part of the claimed design.

1 Claim, 7 Drawing Sheets

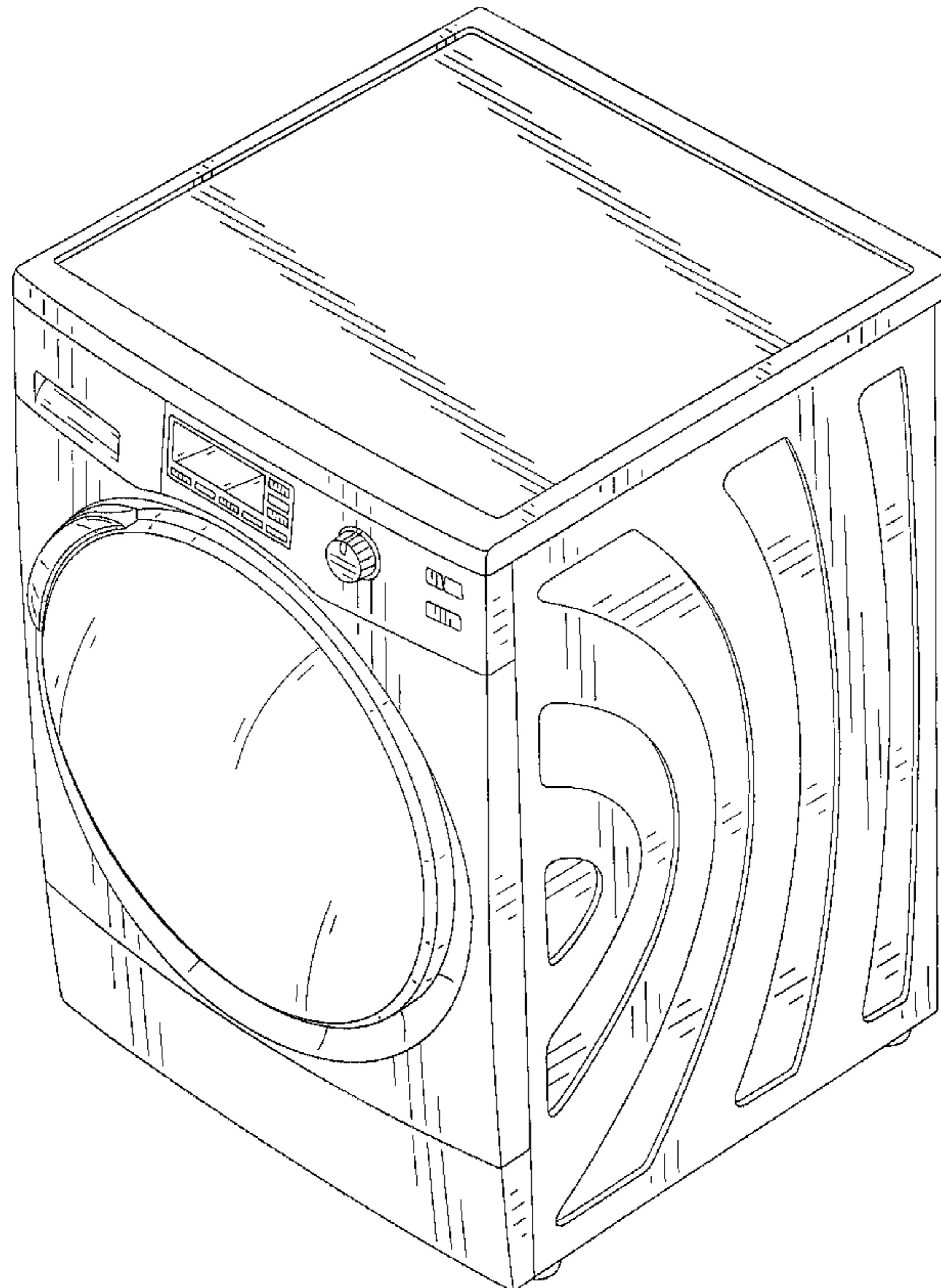


FIG.1

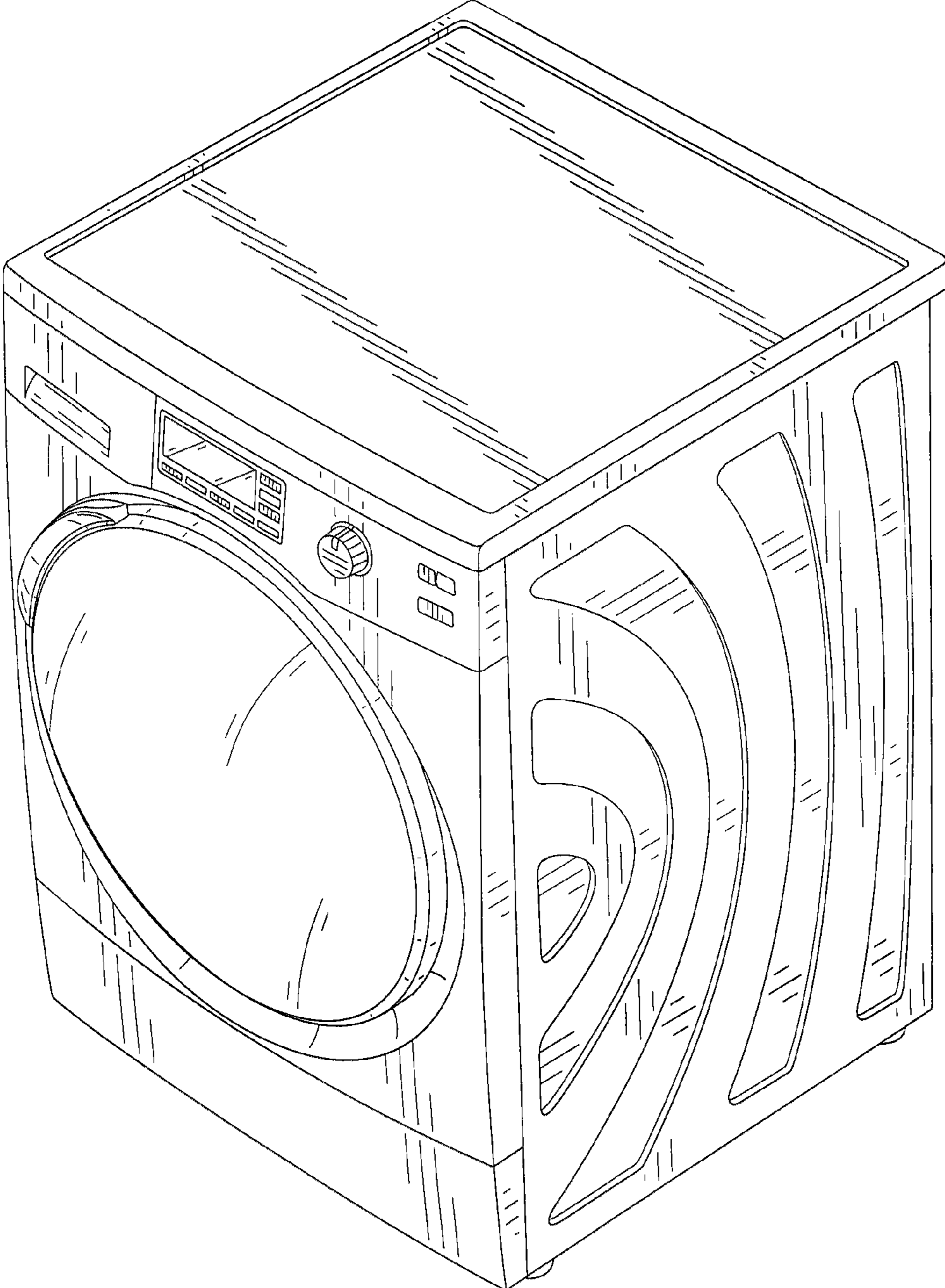


FIG.2

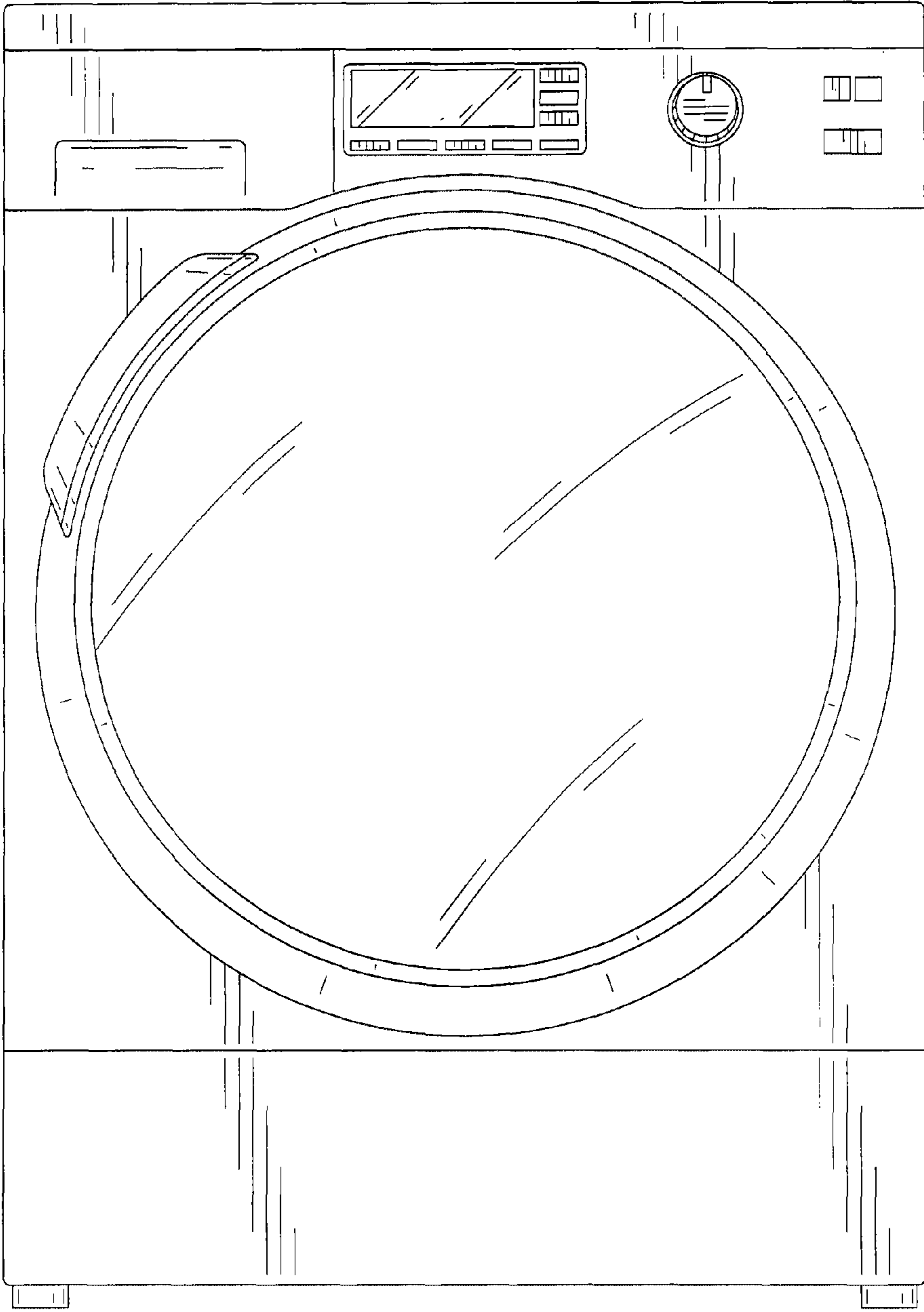


FIG.3

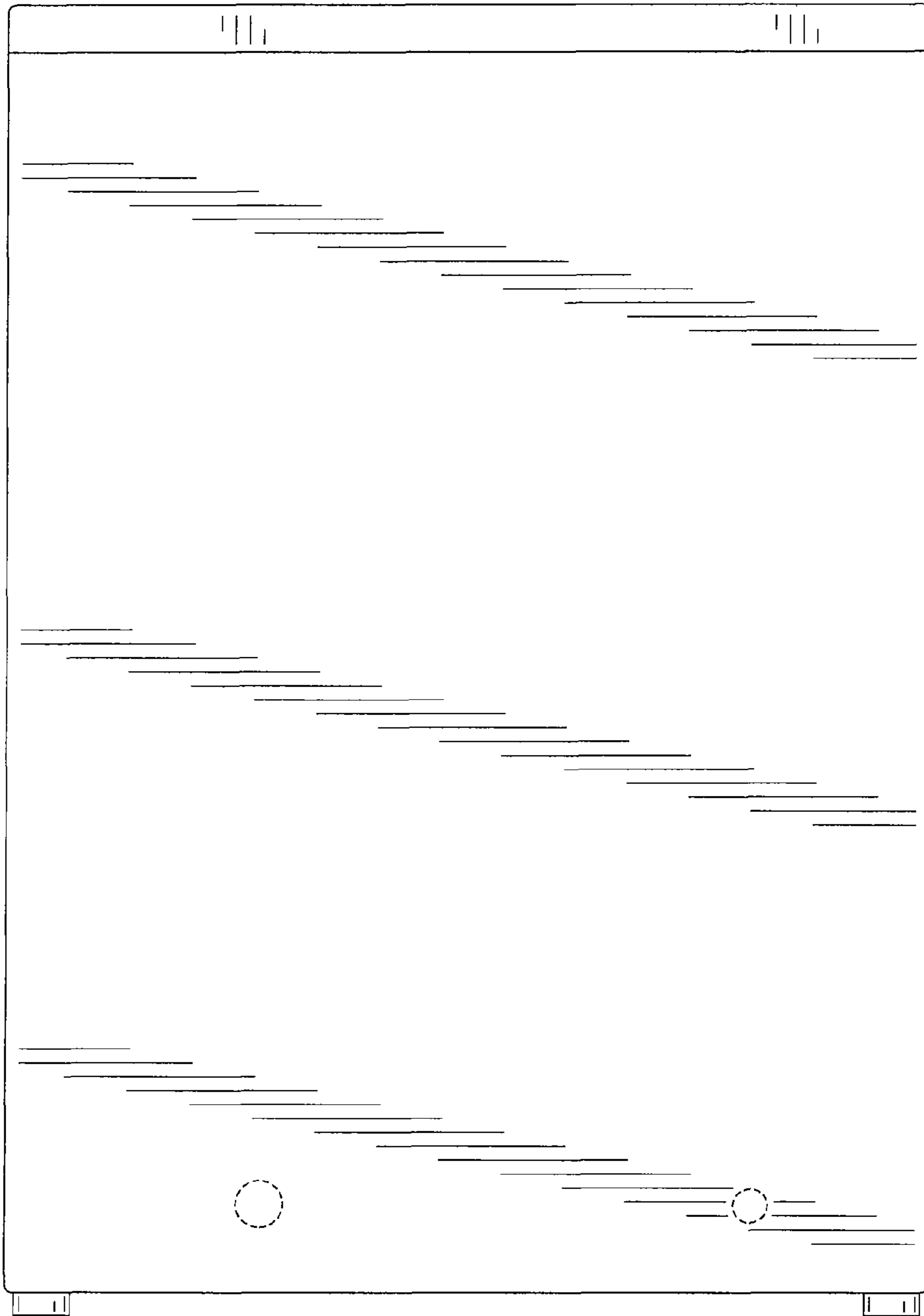


FIG.4

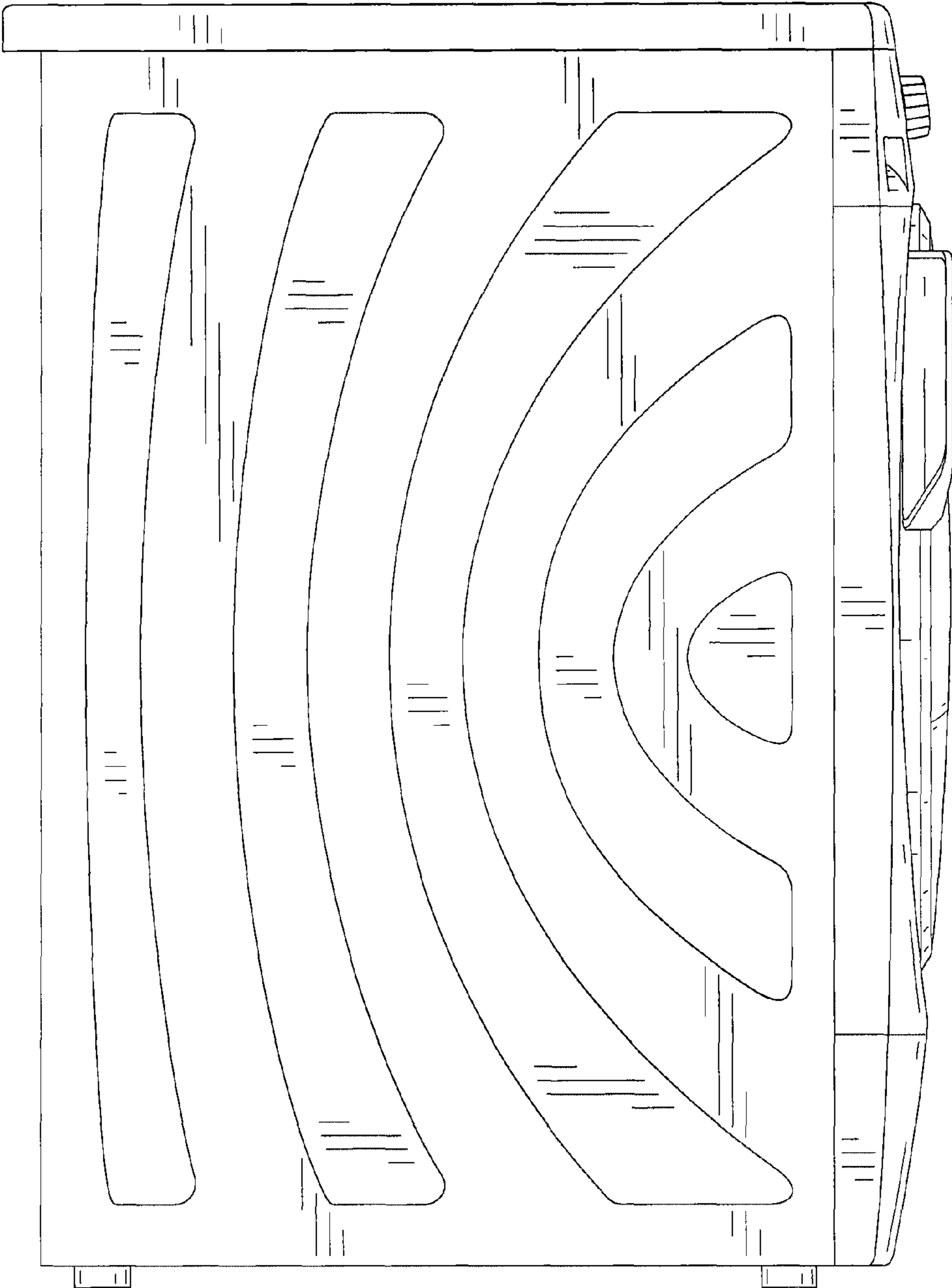


FIG.5

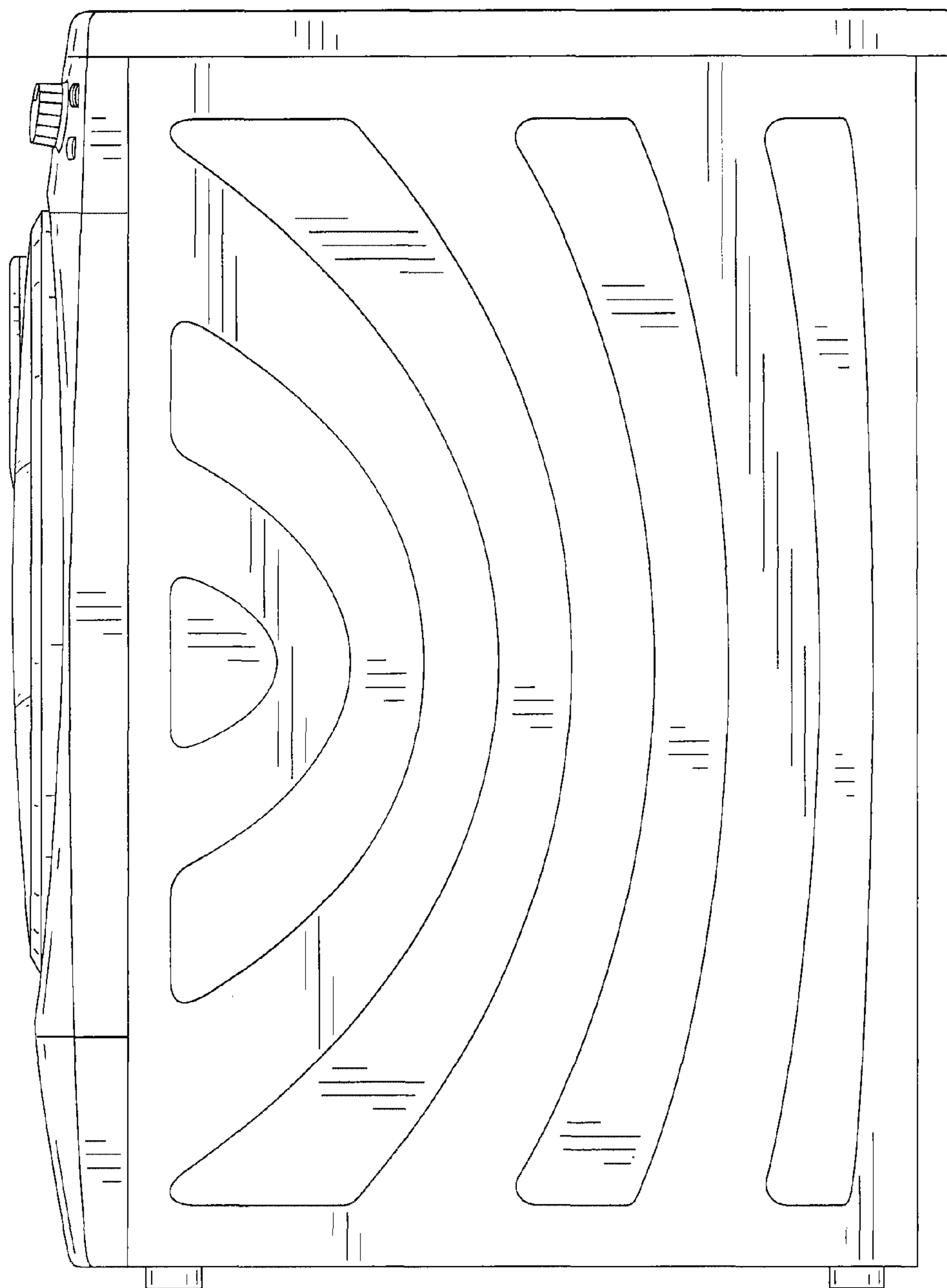


FIG.6

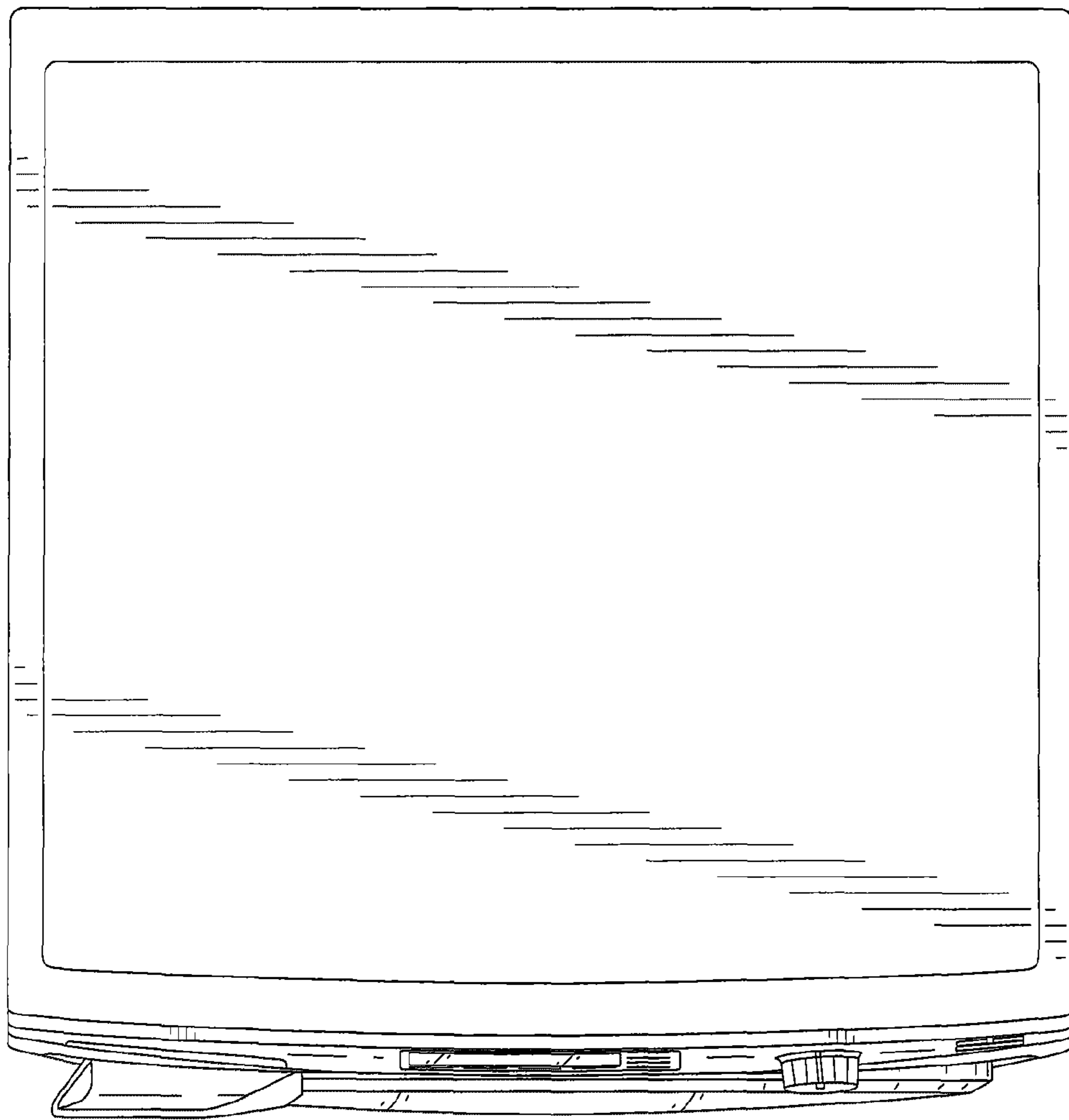


FIG. 7

