



US00D653001S

(12) **United States Design Patent**
Tsengas

(10) **Patent No.:** **US D653,001 S**
(45) **Date of Patent:** **** Jan. 24, 2012**

(54) **PET FEEDER STAND WITH DUAL PET FEEDER BOWLS**

(75) Inventor: **Steven Tsengas**, Fairport Harbor, OH (US)

(73) Assignee: **OurPet's Company**, Fairport Harbor, OH (US)

(**) Term: **14 Years**

(21) Appl. No.: **29/378,409**

(22) Filed: **Nov. 4, 2010**

(51) **LOC (9) Cl.** **30-03**

(52) **U.S. Cl.** **D30/133; D30/130; D30/131**

(58) **Field of Classification Search** D30/133, D30/121, 128, 130, 132; 119/52.1, 55, 61.5-61.56; D6/480-485; 248/188; 312/204; 108/153.1-157
See application file for complete search history.

(56) **References Cited**

U.S. PATENT DOCUMENTS

D89,262	S *	2/1933	Nunimaker	D30/130
D105,450	S *	7/1937	Clifton	D30/130
2,841,114	A *	7/1958	Grant	119/52.4
D237,787	S *	11/1975	Weyrich, Jr.	D34/24
4,044,723	A *	8/1977	Fitzpatrick	119/61.5
D257,914	S *	1/1981	Wooters	D12/419
D258,018	S *	1/1981	Venditto et al.	D30/130
D267,901	S *	2/1983	Johnstonbaugh	D27/135
4,658,759	A *	4/1987	Brown	119/61.5
D315,974	S *	4/1991	Steiner	D30/131
D340,552	S *	10/1993	Smith	D30/121
5,509,376	A *	4/1996	Tsengas	119/51.5
D377,244	S *	1/1997	Steininger	D30/133
D393,107	S *	3/1998	Tsengas	D30/121
5,730,081	A *	3/1998	Tsengas	119/51.5
D412,377	S *	7/1999	Sharon	D30/130
D414,303	S *	9/1999	Sharon	D30/130
D477,691	S *	7/2003	Crowley	D30/131
D506,294	S *	6/2005	Boje	D30/133
D551,400	S *	9/2007	Tsengas	D30/133
7,341,019	B1 *	3/2008	Tsengas	119/61.5
D577,466	S *	9/2008	Shamoon	D30/133
D592,814	S *	5/2009	Uffner et al.	D30/133
D597,262	S *	7/2009	Shamoon et al.	D30/130

D618,862	S *	6/2010	Shamoon et al.	D30/133
D642,338	S *	7/2011	Becattini et al.	D30/133
2005/0115508	A1 *	6/2005	Little	119/61.5
2007/0199511	A1 *	8/2007	Weinblatt	119/61.5
2008/0190372	A1 *	8/2008	Horvath	119/61.56
2010/0162961	A1 *	7/2010	Hove et al.	119/51.5
2010/0300365	A1 *	12/2010	Weinblatt	119/61.5

* cited by examiner

Primary Examiner — Susan Moon Lee

(74) *Attorney, Agent, or Firm* — John D. Gugliotta, Esq

(57) **CLAIM**

The ornamental design for a pet feeder stand with dual pet feeder bowls, as shown and described.

DESCRIPTION

FIG. 1 is a perspective view of a pet feeder stand with dual pet feeder bowls showing my new design according to a first embodiment.

FIG. 2 is a top plan view thereof;

FIG. 3 is a bottom plan view thereof;

FIG. 4 is a side elevational view thereof, the opposite side being a mirror image thereof

FIG. 5 is a front elevational view, the opposite side being a mirror image thereof;

FIG. 6 is a perspective view of a pet feeder stand with dual pet feeder bowls showing my new design according to a second embodiment.

FIG. 7 is a top plan view thereof;

FIG. 8 is a bottom plan view thereof;

FIG. 9 is a side elevational view thereof, the opposite side being a mirror image thereof;

FIG. 10 is a front elevational view, the opposite side being a mirror image thereof;

FIG. 11 is a perspective view of a pet feeder stand with dual pet feeder bowls showing my new design according to a third embodiment.

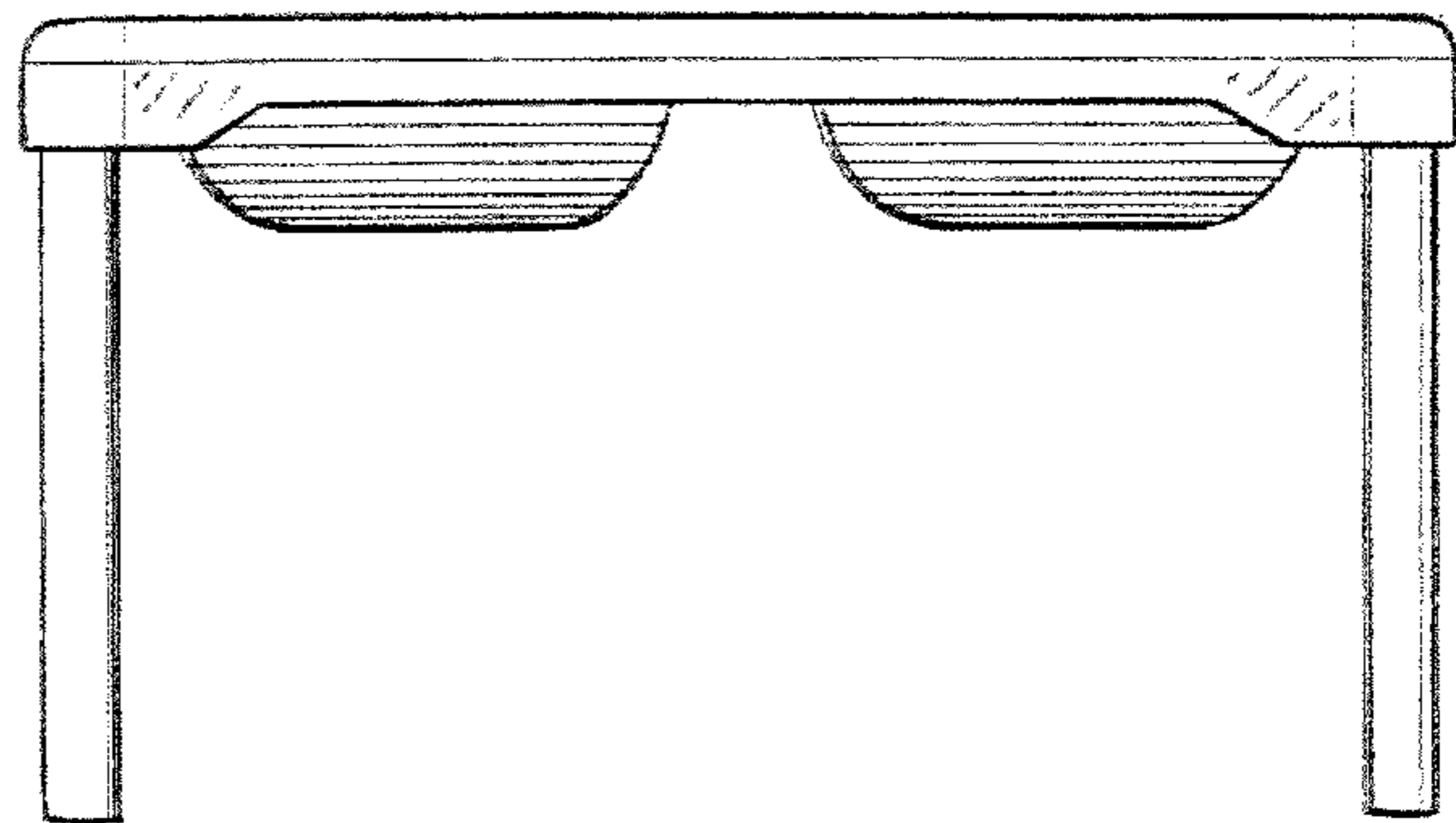
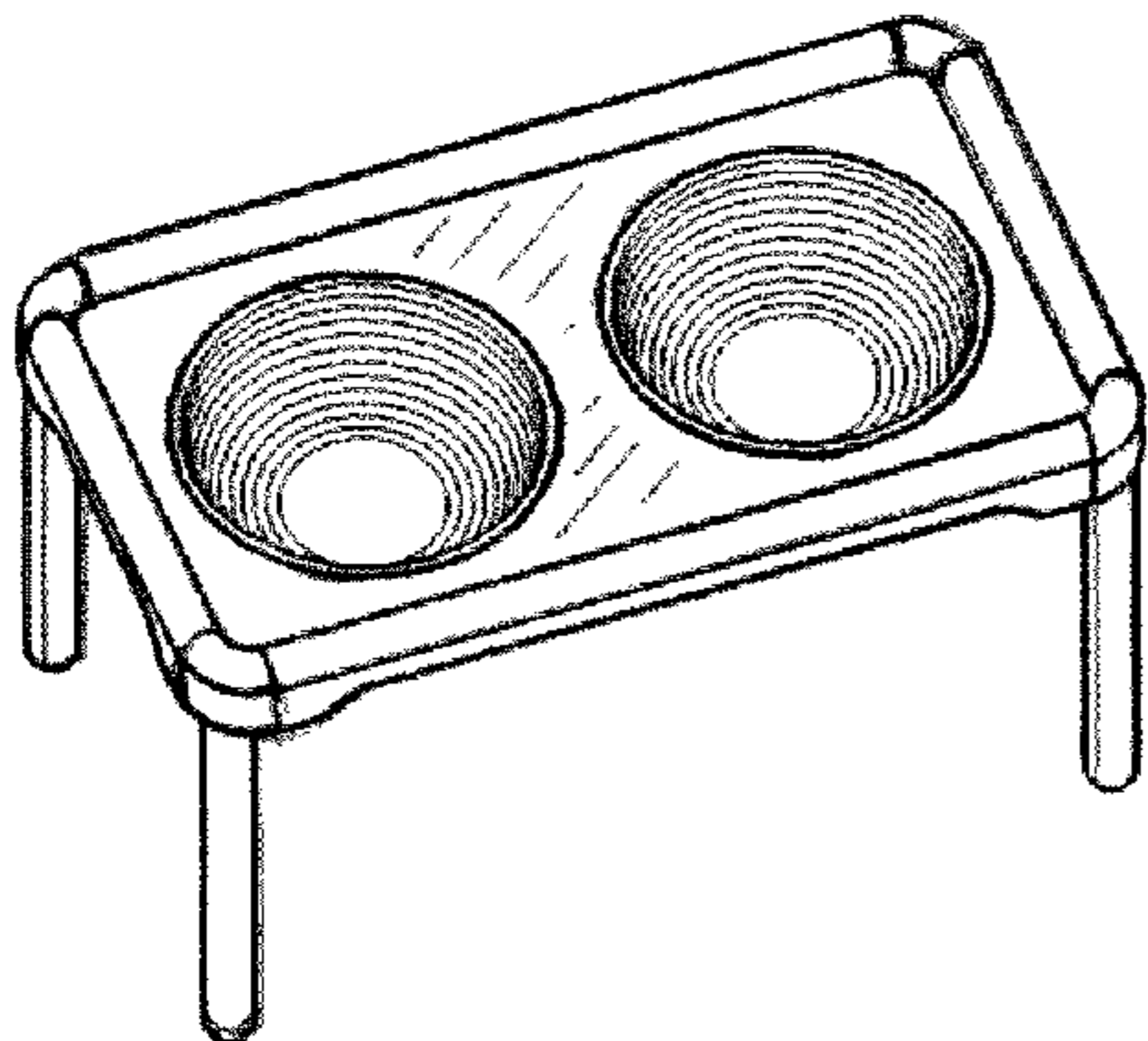
FIG. 12 is a top plan view thereof;

FIG. 13 is a bottom plan view thereof;

FIG. 14 is a side elevational view thereof, the opposite side being a mirror image thereof; and,

FIG. 15 is a front elevational view, the opposite side being a mirror image thereof.

1 Claim, 7 Drawing Sheets



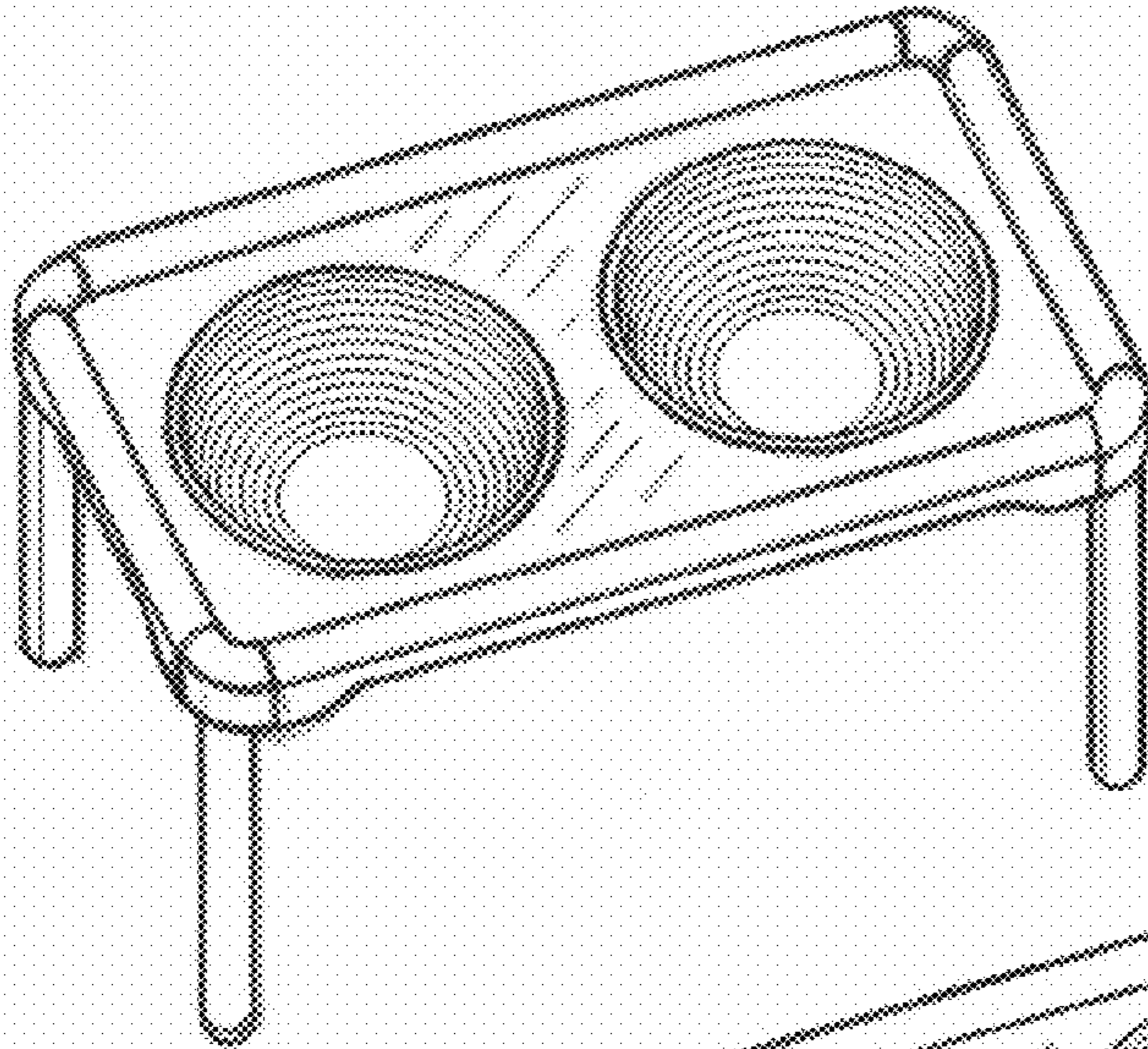


Fig 1

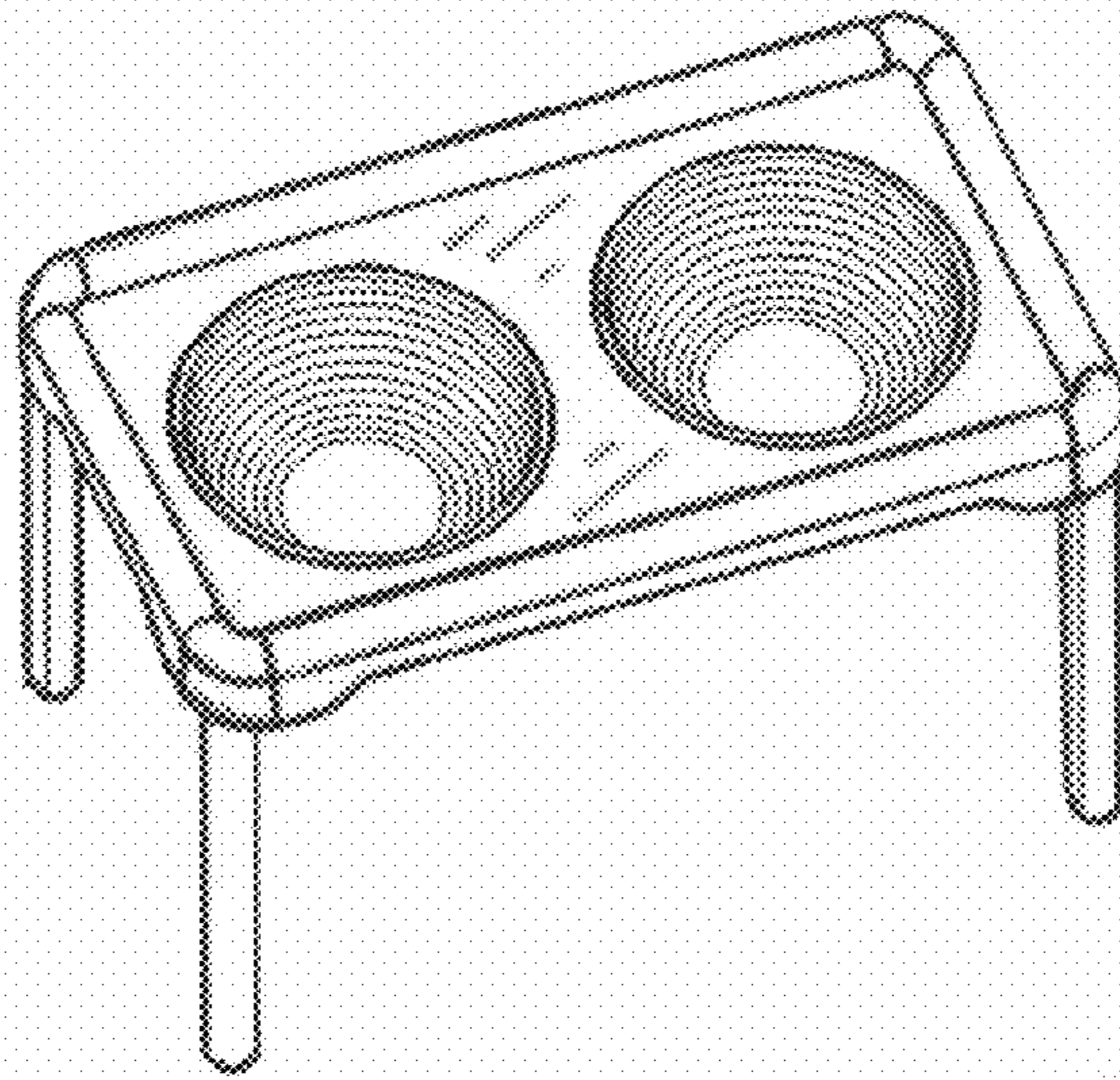


Fig 6

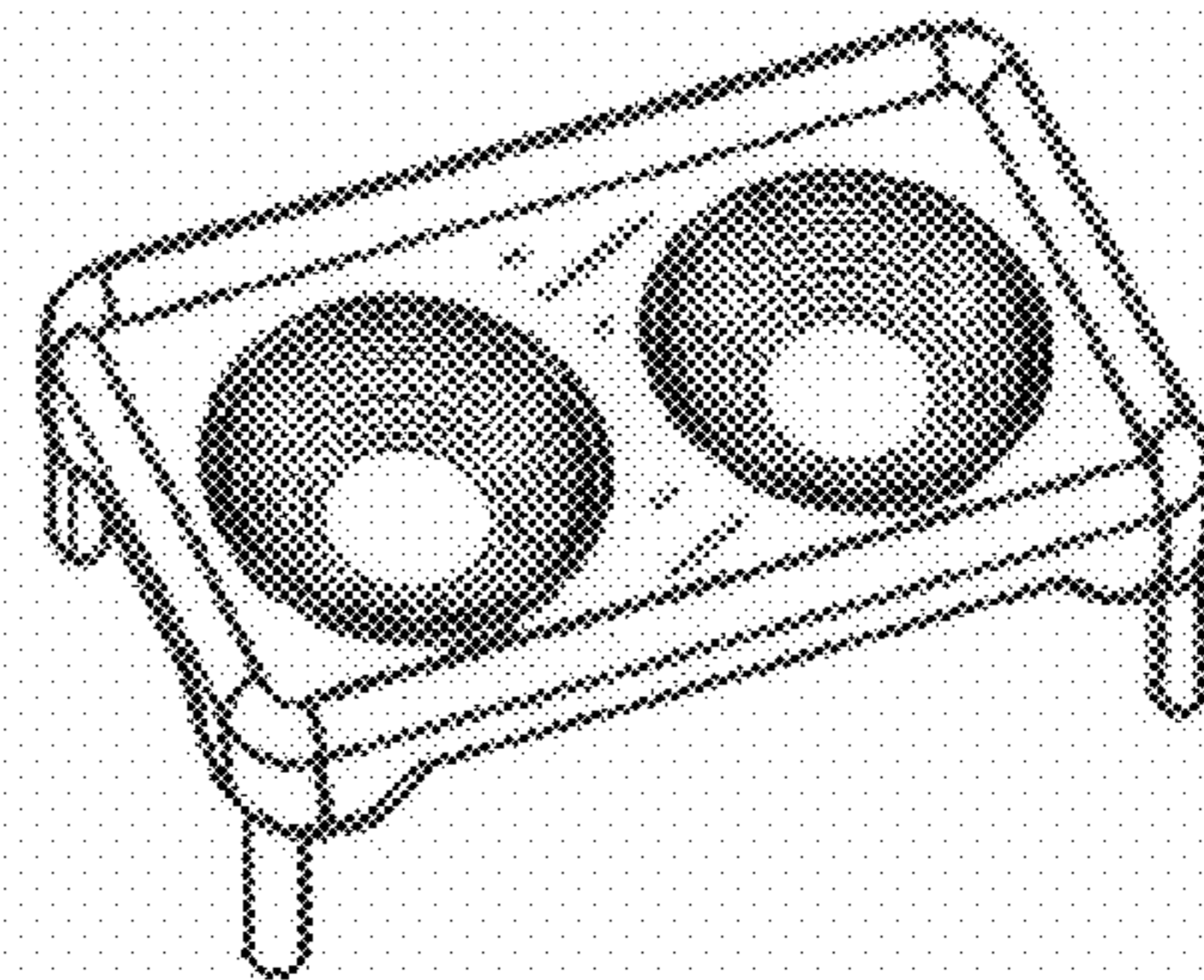


Fig 11

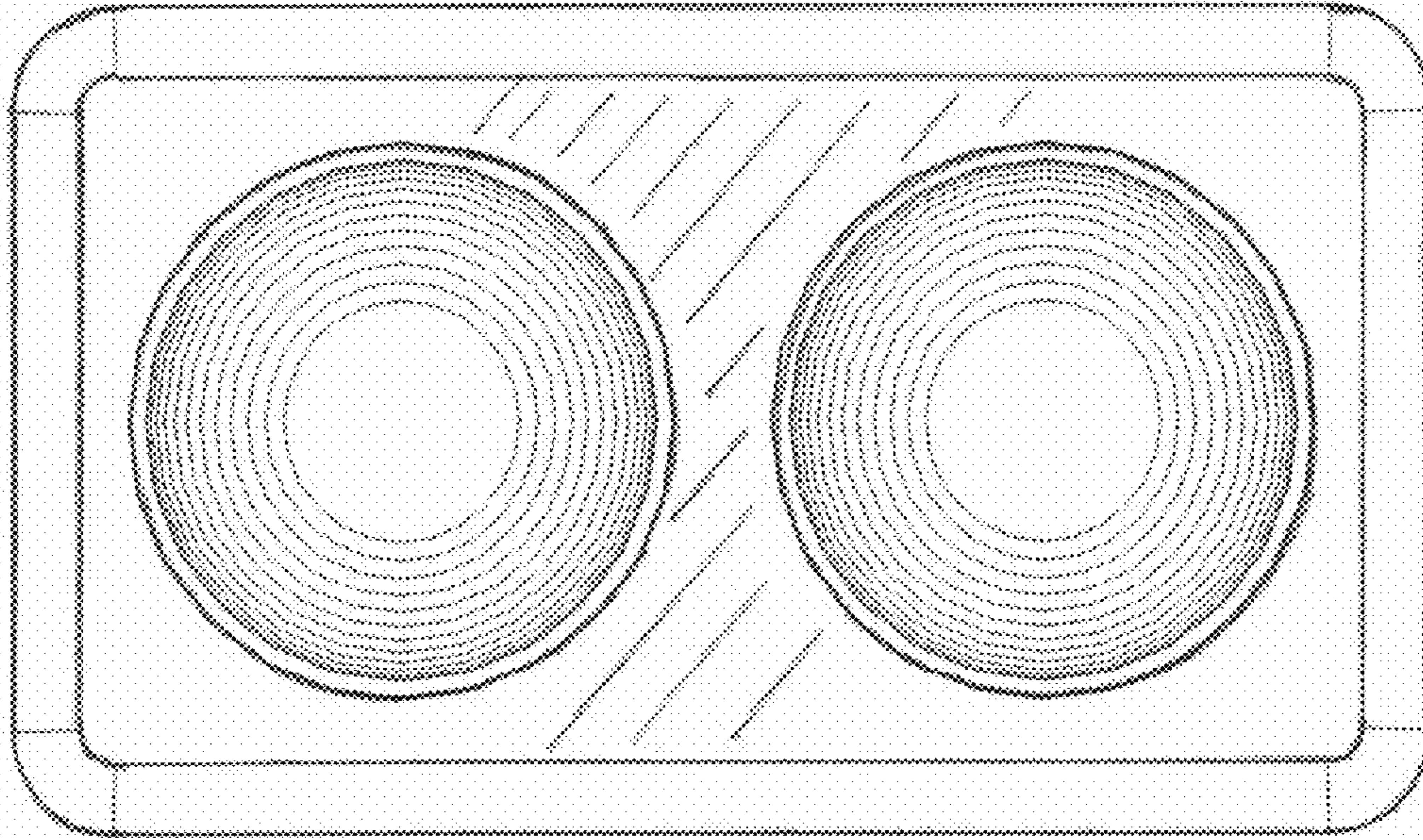


Fig 2

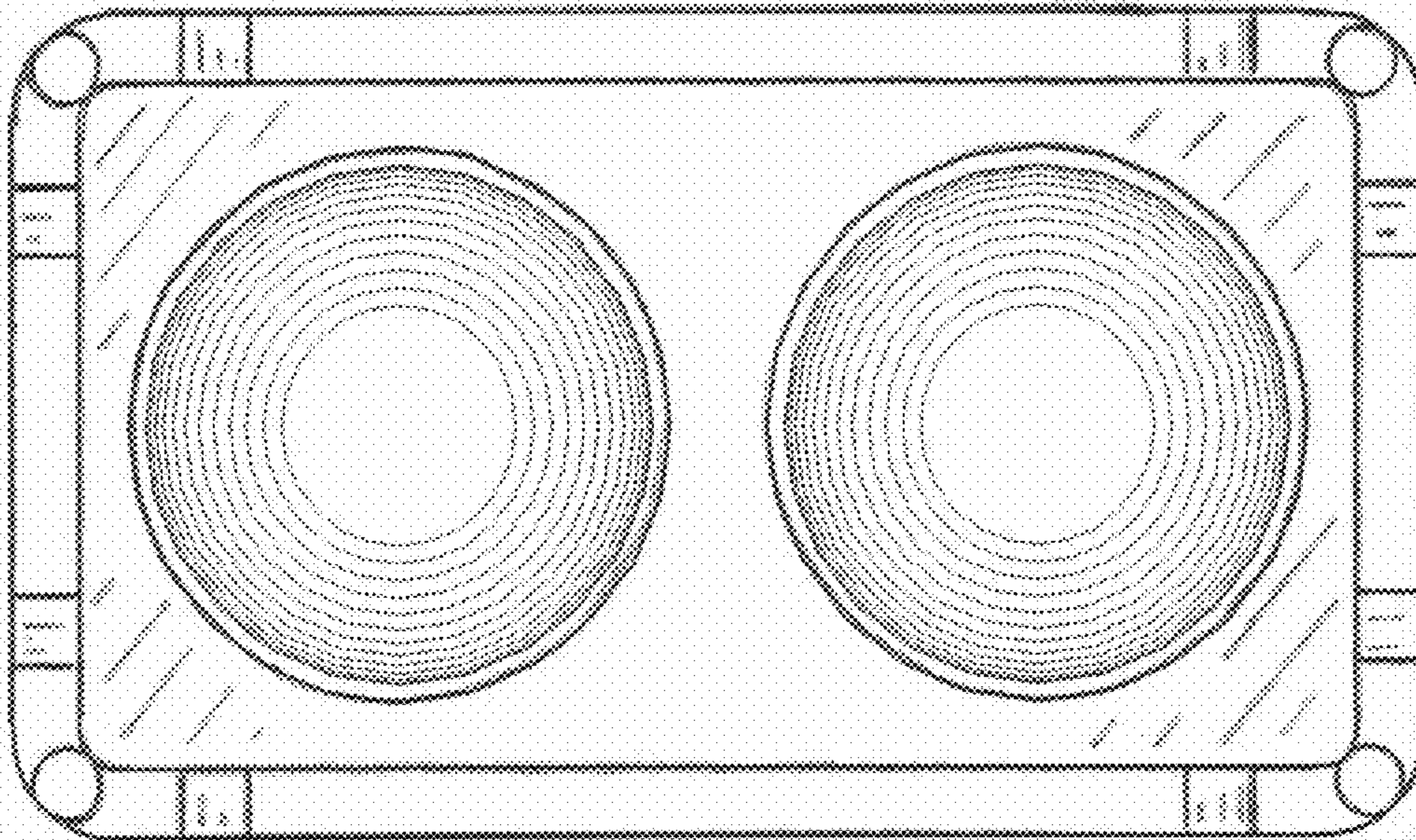


Fig 3

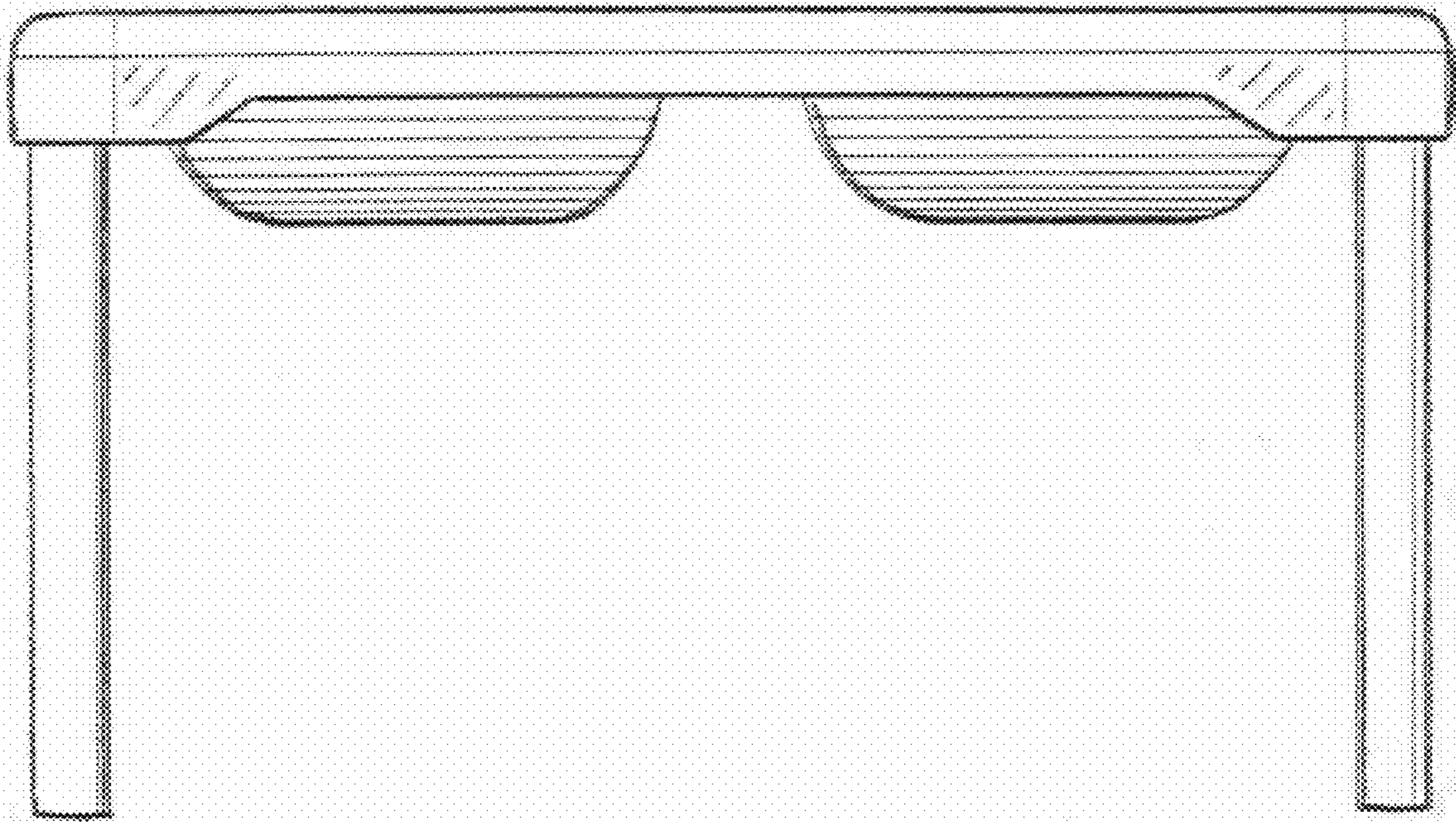


Fig 4

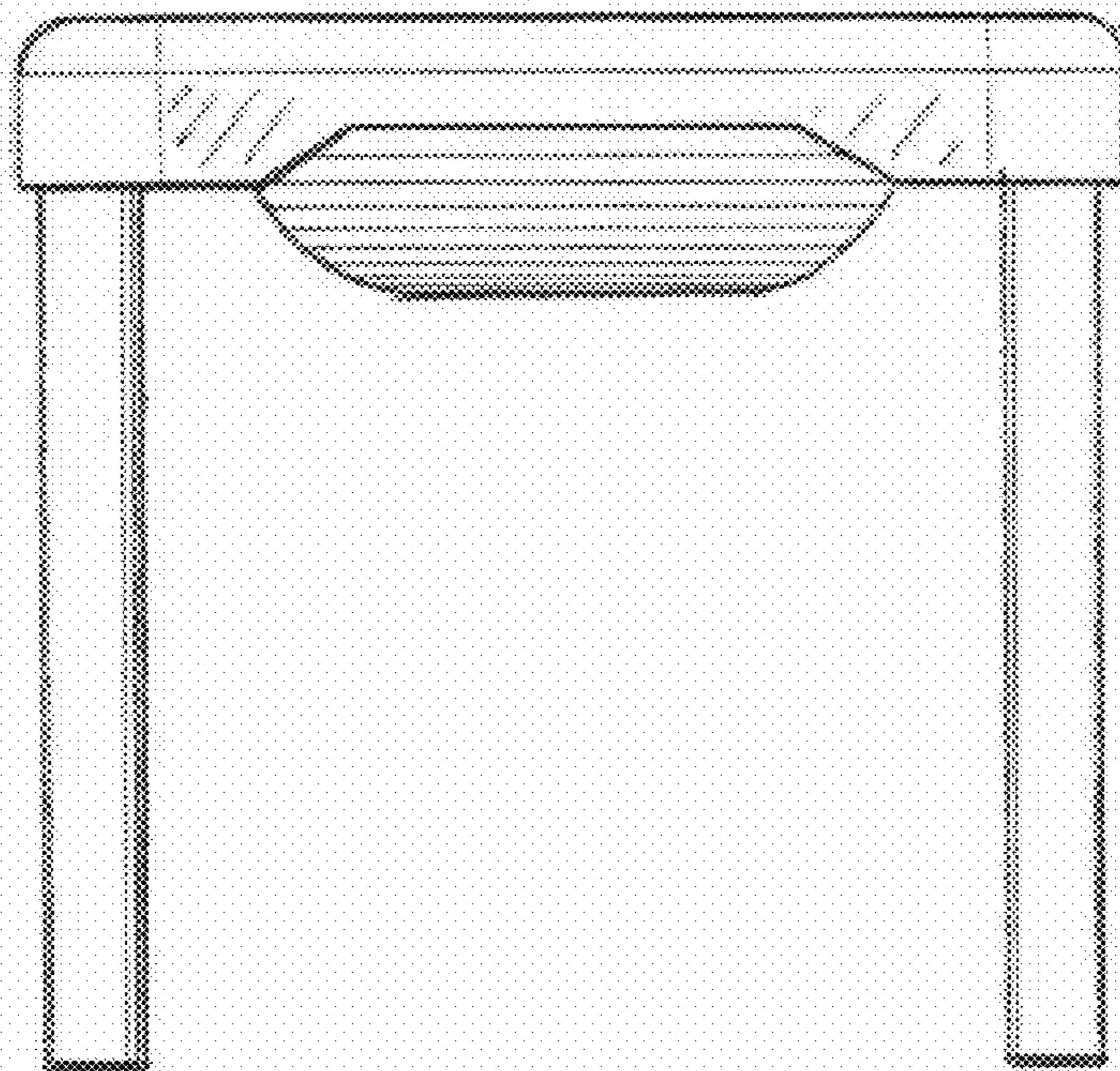


Fig 5

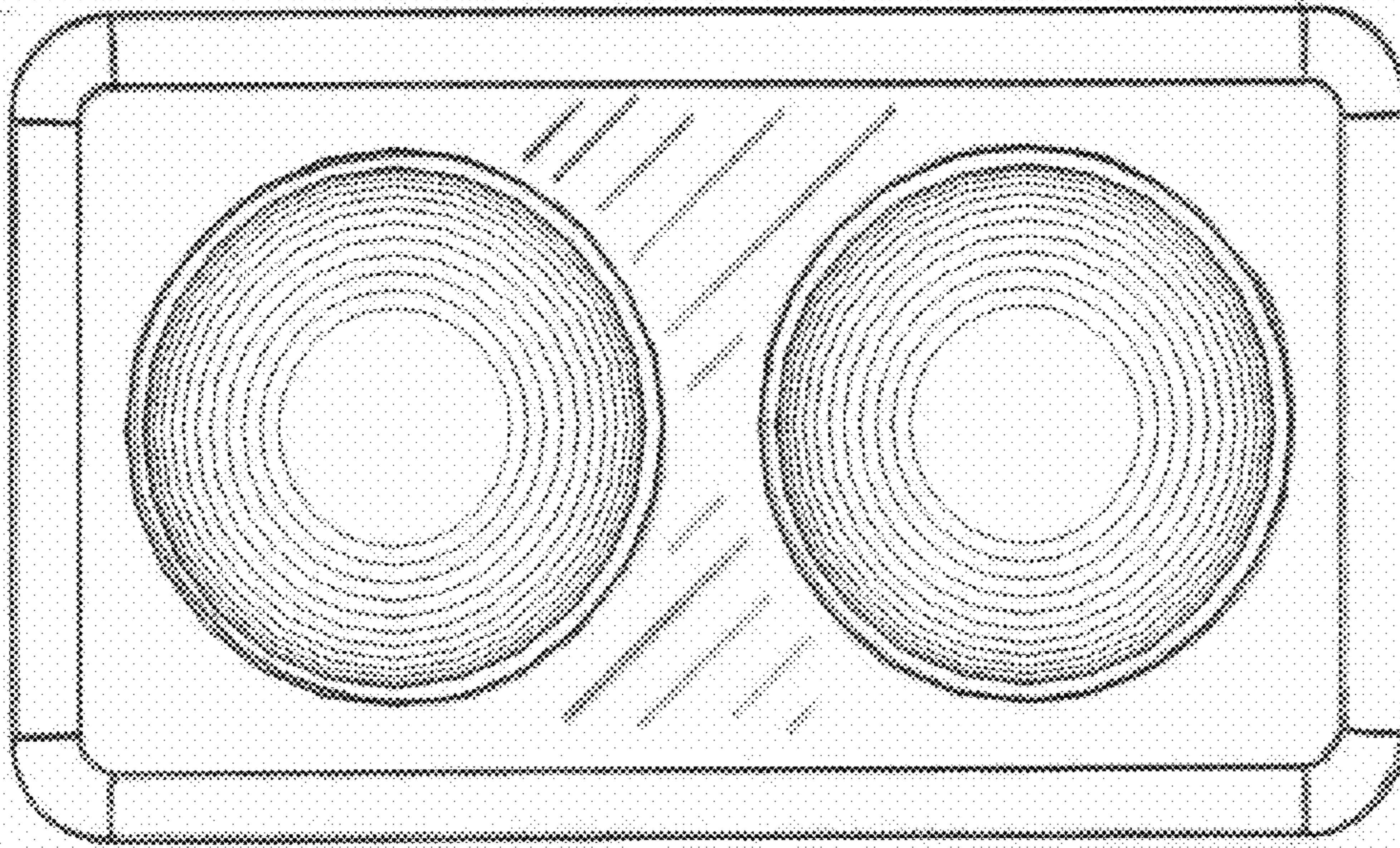


Fig 7

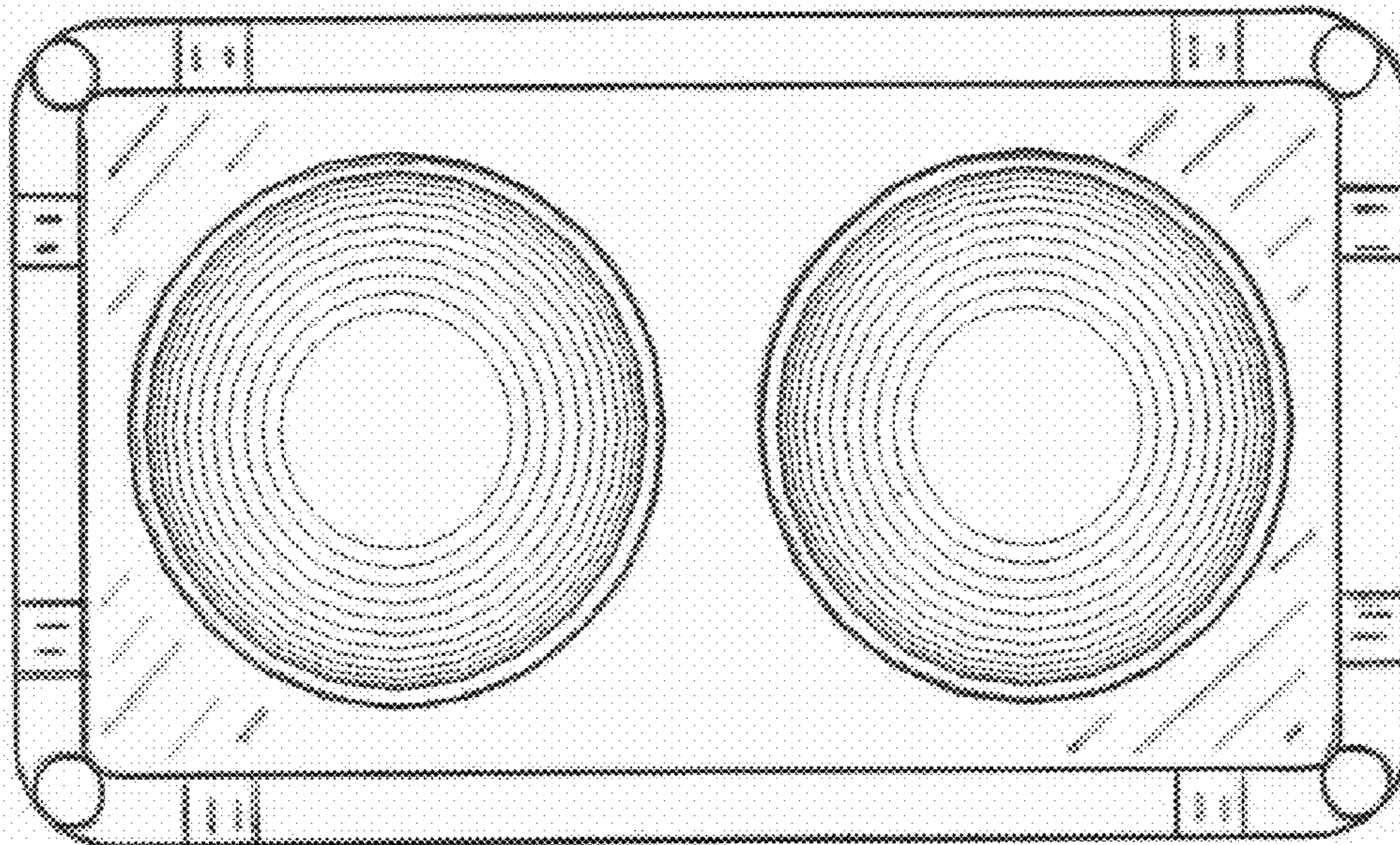


Fig 8

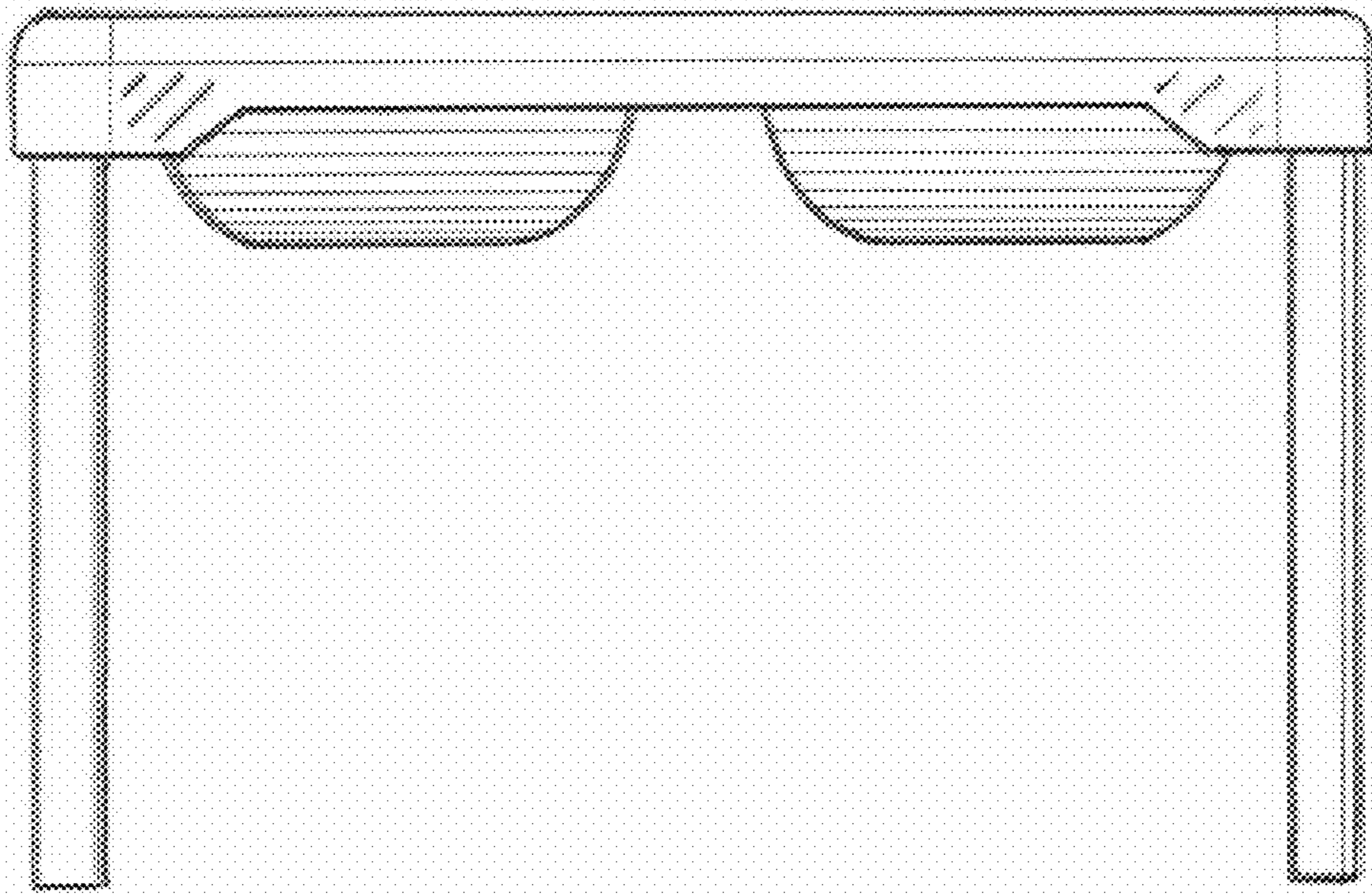


Fig 9

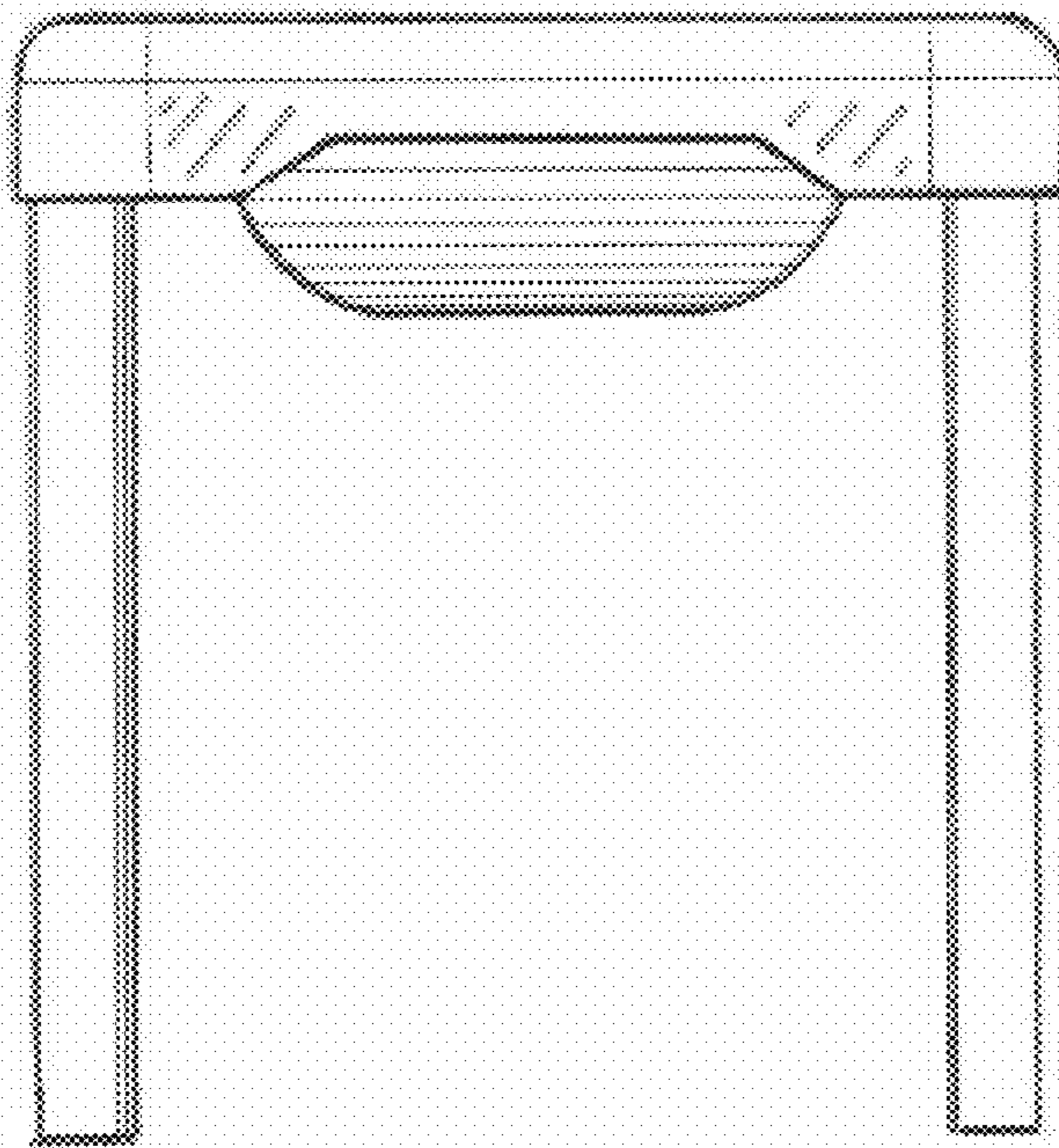


Fig 10

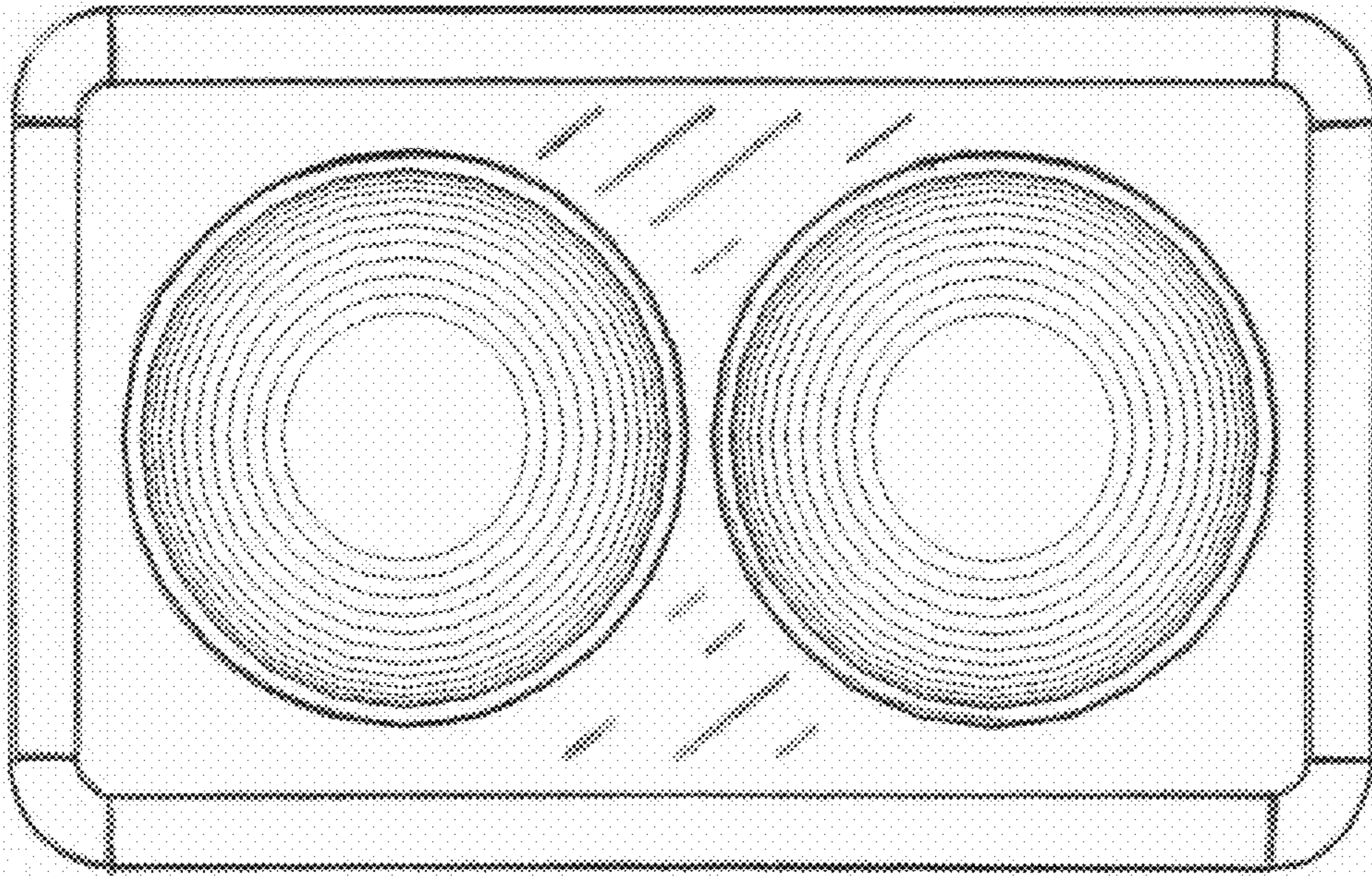


Fig 12

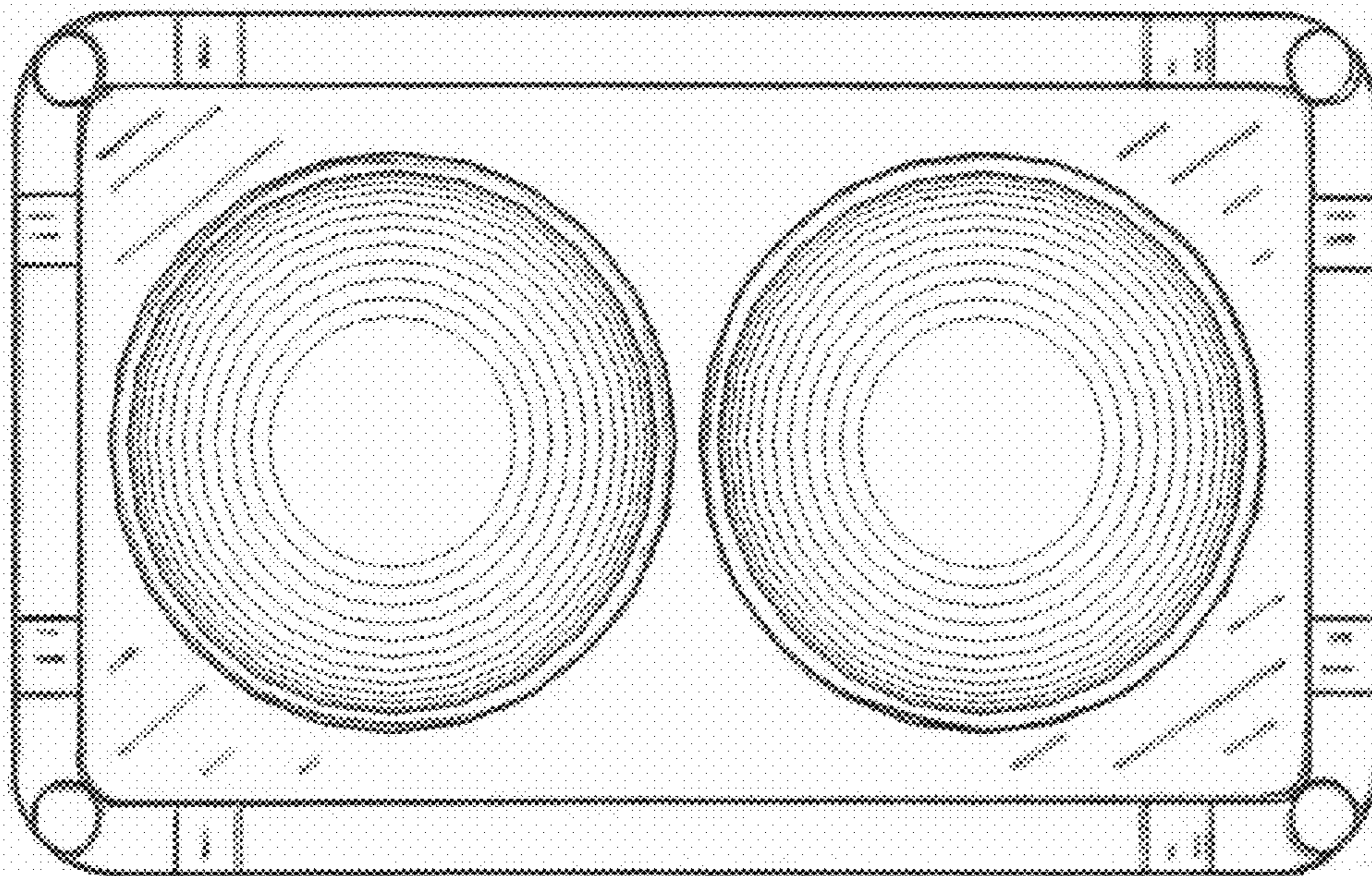


Fig 13

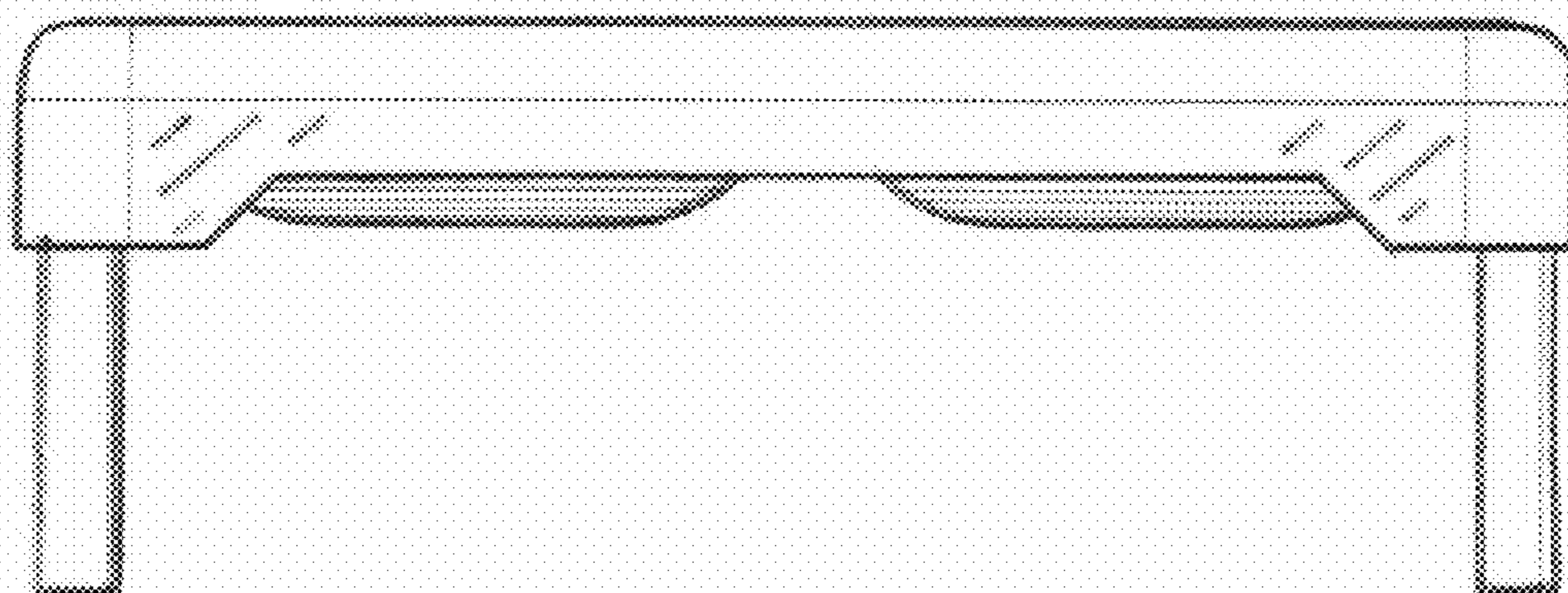


Fig 14

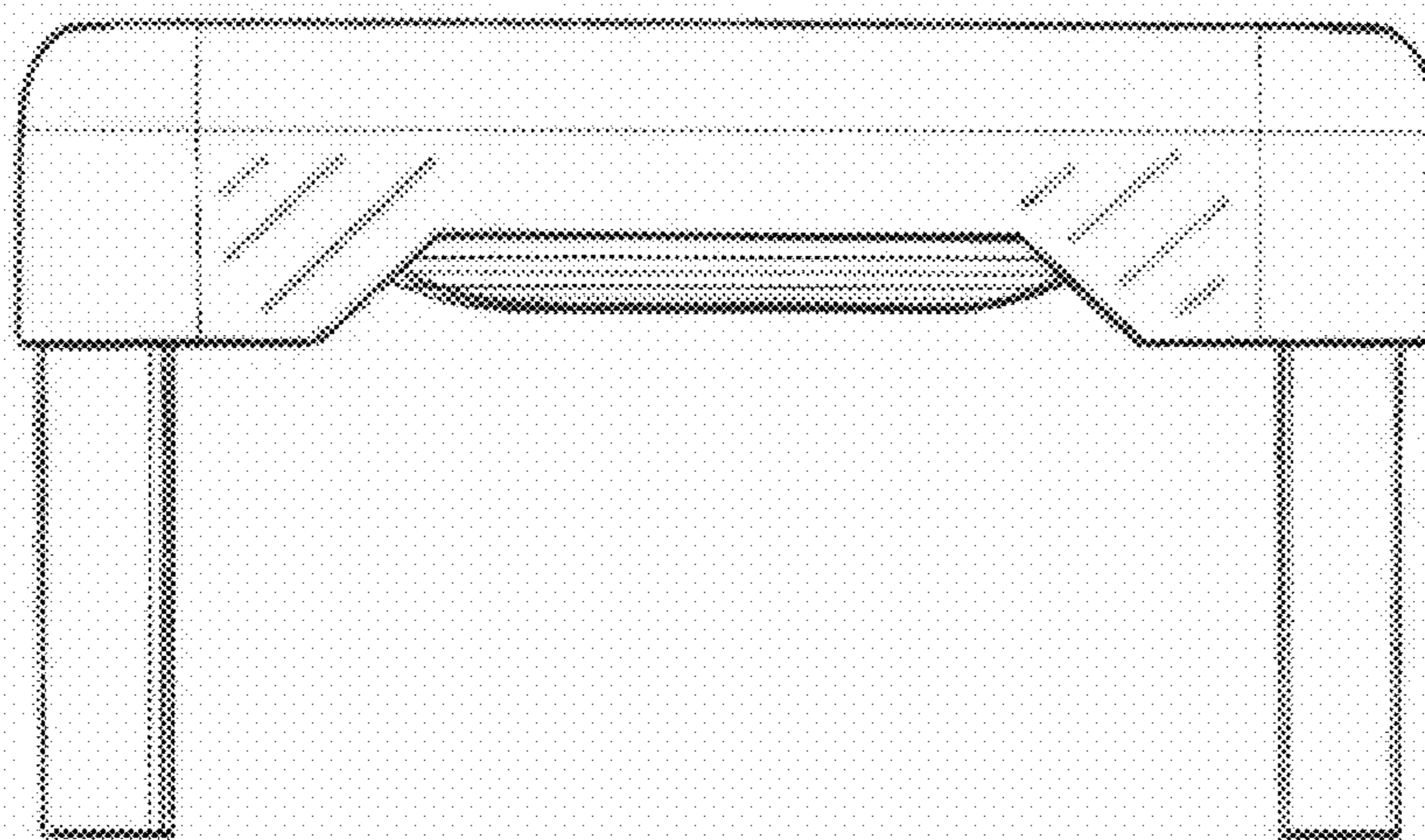


Fig 15