



US00D653000S

(12) **United States Design Patent**
Rutherford

(10) **Patent No.:** **US D653,000 S**
(45) **Date of Patent:** **** Jan. 24, 2012**

(54) **PET BOWL**

(56) **References Cited**

(75) Inventor: **Ryan Rutherford**, Belleville, NJ (US)

U.S. PATENT DOCUMENTS

(73) Assignee: **J.W. Pet Company, Inc.**, Teterboro, NJ (US)

(**) Term: **14 Years**

(21) Appl. No.: **29/385,947**

(22) Filed: **Feb. 23, 2011**

75,673 A	3/1868	Gibson	
472,316 A	4/1892	Smith	
495,872 A	4/1893	Ball	
603,492 A	5/1898	Waterer	
D56,761 S	12/1920	Miller	
1,600,055 A	9/1926	Meyer	
2,053,949 A	9/1936	Emery	
D105,450 S *	7/1937	Clifton	D30/130
2,259,682 A	10/1941	Collins	
2,554,086 A	5/1951	Block	
2,584,301 A	2/1952	Sinclair	
2,672,697 A *	3/1954	La Tour	434/258
2,677,350 A	5/1954	Prestidge et al.	
2,813,509 A	11/1957	Bruno	
2,905,351 A	9/1959	Lerner	
2,928,372 A	3/1960	Farley	
3,076,579 A	2/1963	Kuhlman	
D197,574 S	2/1964	Gulotta	
D201,670 S	7/1965	Moore	
3,195,510 A	7/1965	Bernstein	
D209,677 S *	12/1967	Robert	D30/133
D209,678 S *	12/1967	Robert	D30/133
3,491,724 A	1/1970	Sunner	

Related U.S. Application Data

(60) Continuation of application No. 29/360,766, filed on Apr. 30, 2010, now Pat. No. Des. 636,944, and a continuation of application No. 29/360,767, filed on Apr. 30, 2010, now Pat. No. Des. 636,945, and a continuation of application No. 29/360,769, filed on Apr. 30, 2010, now Pat. No. Des. 642,341, said application No. 29/360,766 is a division of application No. 29/354,995, filed on Feb. 1, 2010, now Pat. No. Des. 626,705, said application No. 29/360,767 is a division of application No. 29/354,995, filed on Feb. 1, 2010, now Pat. No. Des. 626,705, said application No. 29/360,769 is a division of application No. 29/354,995, which is a continuation of application No. 11/940,623, filed on Nov. 15, 2007, now abandoned.

(51) **LOC (9) Cl.** **30-03**

(52) **U.S. Cl.** **D30/130**

(58) **Field of Classification Search** D30/121, D30/122, 129-133; 119/61.5, 51.01, 61.56, 119/51.03, 59, 62, 63, 51.5, 57.8, 74, 61.54, 119/61.55, 61; 312/204; 248/151, 188; 108/156, 108/153.1-157; 220/23.87, 630, 737, 743, 220/9.4, 495.01, 574, 212, 255, 23.83, 575; 206/515; D7/586, 543, 550.1, 587, 505, D7/584, 545, 500, 553.1-553.8, 546, 555, D7/556, 504, 565, 562, 602, 507, 549, 558, D7/552.2, 560, 566, 548, 681; D9/429; 43/109; D22/122; 99/430, DIG. 15

See application file for complete search history.

(Continued)

Primary Examiner — Susan Moon Lee

(74) *Attorney, Agent, or Firm* — Katten Muchin Rosenman LLP

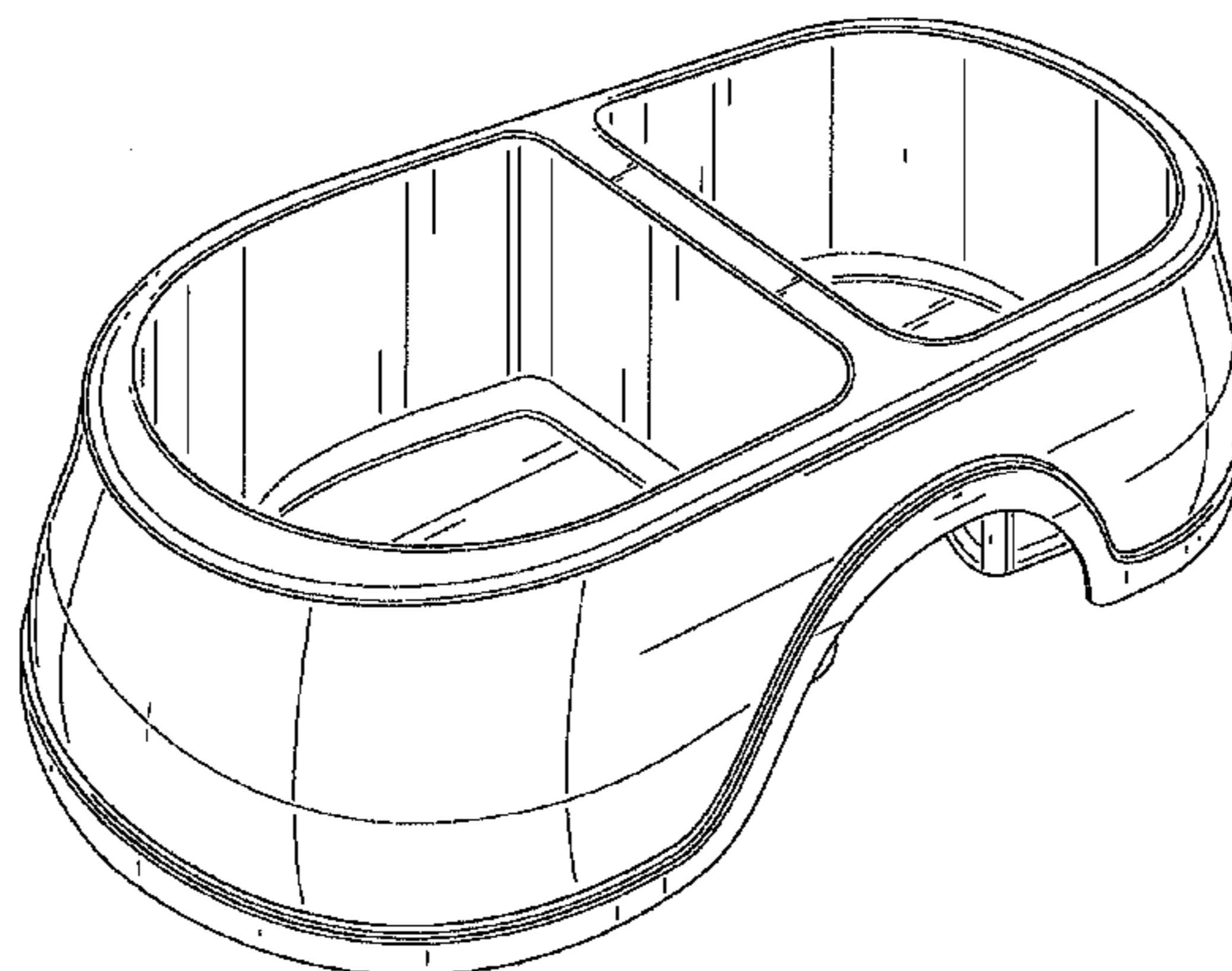
(57) **CLAIM**

The ornamental design for a pet bowl, as shown and described.

DESCRIPTION

FIG. 1 is a perspective view of first embodiment of a pet bowl; FIG. 2 is a front view thereof; FIG. 3 is a rear view thereof; FIG. 4 is a left side view thereof; FIG. 5 is a right side view thereof; FIG. 6 is a top view thereof; and, FIG. 7 is a bottom view thereof.

1 Claim, 4 Drawing Sheets



US D653,000 S

Page 2

U.S. PATENT DOCUMENTS					
3,498,268 A	3/1970	Sleith et al.	5,546,894 A	8/1996	St-Pierre
3,578,524 A	5/1971	Ignell	D374,513 S *	10/1996	Melvin D30/121
3,653,362 A	4/1972	Davis	5,560,732 A	10/1996	Kulp et al.
3,664,304 A	5/1972	Carter	5,564,363 A	10/1996	Soffici
3,693,555 A *	9/1972	Holtzmann 108/25	5,570,655 A	11/1996	Targa
3,722,476 A	3/1973	Van Ness et al.	5,638,638 A	6/1997	Moskowitz
3,776,193 A	12/1973	Post, Sr.	D383,031 S	9/1997	Cousins
D230,034 S	1/1974	Goldman et al.	5,676,275 A	10/1997	Khattar
3,810,446 A	5/1974	Kightlinger et al.	D390,418 S	2/1998	Jagger
3,838,772 A	10/1974	Lang et al.	D391,440 S	3/1998	Cousins
D237,787 S *	11/1975	Weyrich, Jr. D34/24	5,724,914 A	3/1998	Nemeth
D239,724 S *	4/1976	Kuzara et al. D30/130	5,743,210 A	4/1998	Lampe
3,958,504 A	5/1976	Levin	5,775,255 A	7/1998	Louviere, III
4,085,706 A	4/1978	Evans	5,787,839 A	8/1998	Magnant et al.
4,089,498 A	5/1978	Woodruff	5,813,638 A	9/1998	Morris
D248,076 S	6/1978	Christian	5,857,427 A	1/1999	Kelley
4,106,658 A	8/1978	Brandon	D405,561 S	2/1999	Willinger et al.
4,127,189 A	11/1978	Shumrak et al.	5,904,264 A	5/1999	Yamada et al.
4,208,836 A	6/1980	Kramer	D412,605 S	8/1999	Sharon
4,270,490 A	6/1981	Kopp	5,979,361 A	11/1999	Willinger
D267,221 S	12/1982	Williams	D424,757 S	5/2000	Cooper et al.
D270,323 S	8/1983	Powers	6,119,628 A	9/2000	Lorenzana et al.
4,428,325 A	1/1984	Koch	6,145,474 A	11/2000	Lemkin
D274,781 S	7/1984	Baker et al.	6,152,319 A	11/2000	Kamachi et al.
D278,167 S	3/1985	Kilham	6,209,487 B1 *	4/2001	Quinlan et al. 119/51.01
D283,496 S	4/1986	Pisarkiewicz	6,230,653 B1	5/2001	Tobin
4,603,851 A	8/1986	Russell	D446,362 S	8/2001	Choi et al.
4,721,063 A	1/1988	Atchley	6,330,956 B1	12/2001	Willinger
D296,020 S	5/1988	McCarroll	6,339,899 B1	1/2002	Lehmann
D296,371 S *	6/1988	Lorenzana et al. D30/122	D458,419 S	6/2002	Ross
4,756,420 A	7/1988	Deaton	D467,045 S *	12/2002	Tsengas D30/130
4,803,954 A	2/1989	Welch et al.	D467,125 S	12/2002	Orr et al.
4,886,016 A	12/1989	Atchley	6,516,747 B1	2/2003	Willinger
4,905,629 A	3/1990	Hand et al.	D477,171 S	7/2003	Gabbour
D313,486 S	1/1991	Conner	D485,208 S	1/2004	Fan
D313,488 S	1/1991	Conner	D485,784 S	1/2004	Fan
D313,489 S	1/1991	Conner	D486,273 S *	2/2004	Tsengas D30/130
4,981,108 A	1/1991	Faeroe	6,705,249 B2 *	3/2004	Quinlan et al. 119/51.01
4,986,433 A	1/1991	Davis	D490,745 S	6/2004	Fan
5,037,084 A	8/1991	Flor	D491,697 S *	6/2004	Tsengas D30/130
D325,684 S	4/1992	Deare	D529,838 S	10/2006	Boling
5,105,769 A	4/1992	Smith et al.	D531,081 S	10/2006	Fan
5,125,184 A	6/1992	Anderson	D558,931 S *	1/2008	Hood et al. D30/130
5,147,980 A	9/1992	Ferguson, Jr.	D563,608 S	3/2008	Kitchen
5,169,023 A	12/1992	Heiberg et al.	D581,604 S	11/2008	Ragonetti et al.
D344,370 S	2/1994	Dryden et al.	D590,109 S	4/2009	Anderson et al.
5,341,596 A	8/1994	Kao	D597,262 S *	7/2009	Shamoon et al. D30/130
5,366,103 A	11/1994	Abernathy et al.	D603,106 S	10/2009	Ragonetti et al.
D353,232 S *	12/1994	Chrisco D30/130	D625,887 S *	10/2010	Becattini et al. D30/133
5,392,948 A	2/1995	McEntee	D642,338 S *	7/2011	Becattini et al. D30/133
5,419,454 A	5/1995	Stowell et al.	2002/0185073 A1	12/2002	Fullerton et al.
5,423,452 A	6/1995	Tardif	2004/0244703 A1	12/2004	Lehman
D364,998 S	12/1995	Held	2005/0039689 A1	2/2005	Mossmer
5,478,034 A	12/1995	Cunningham et al.	2006/0005774 A1	1/2006	Newman Bornhofen
5,485,937 A	1/1996	Tseng	2006/0213447 A1	9/2006	Kitchen et al.
5,501,176 A	3/1996	Tully	2006/0283397 A1 *	12/2006	Loeffelholz 119/61.56

* cited by examiner

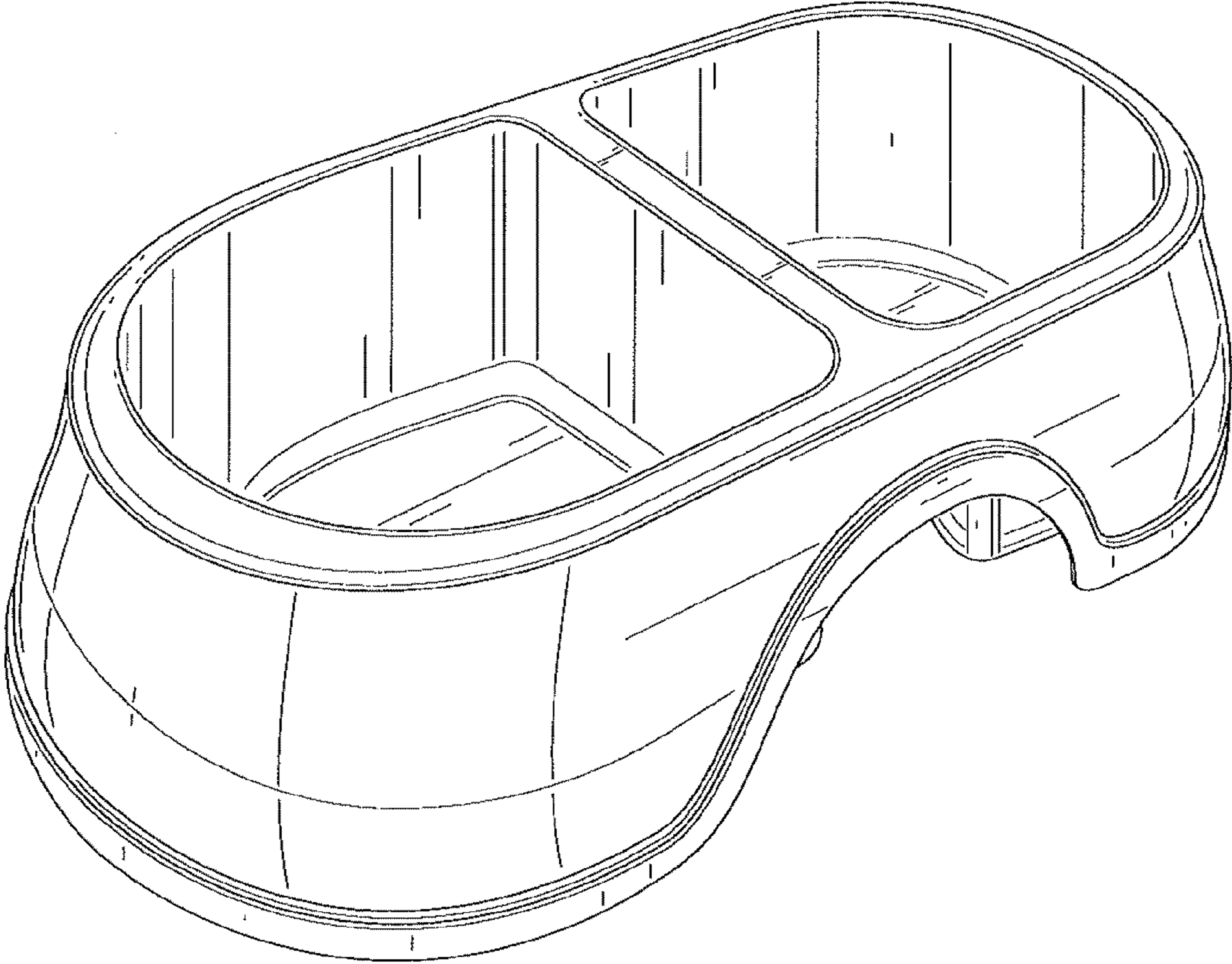


FIG. 1

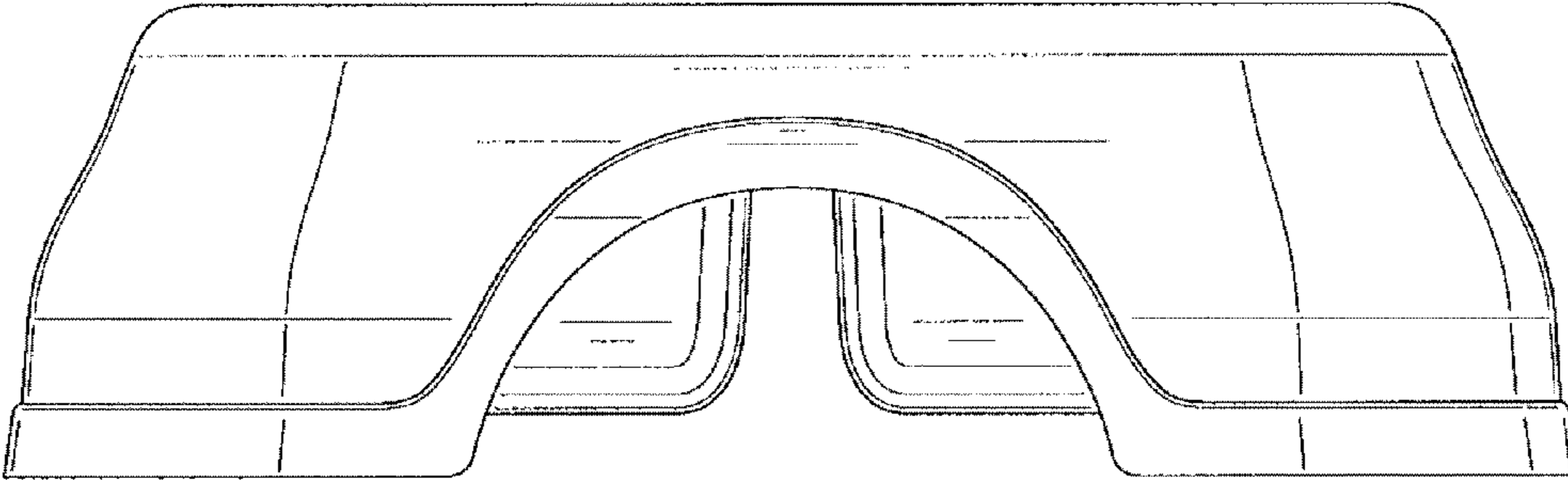


FIG. 2

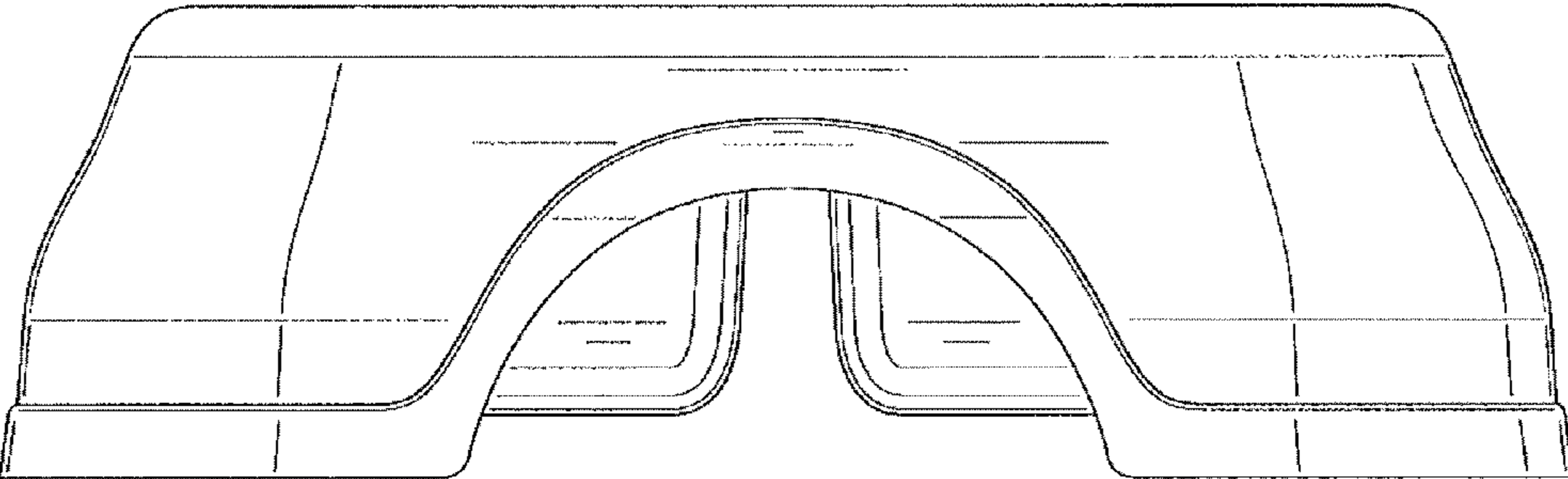


FIG. 3

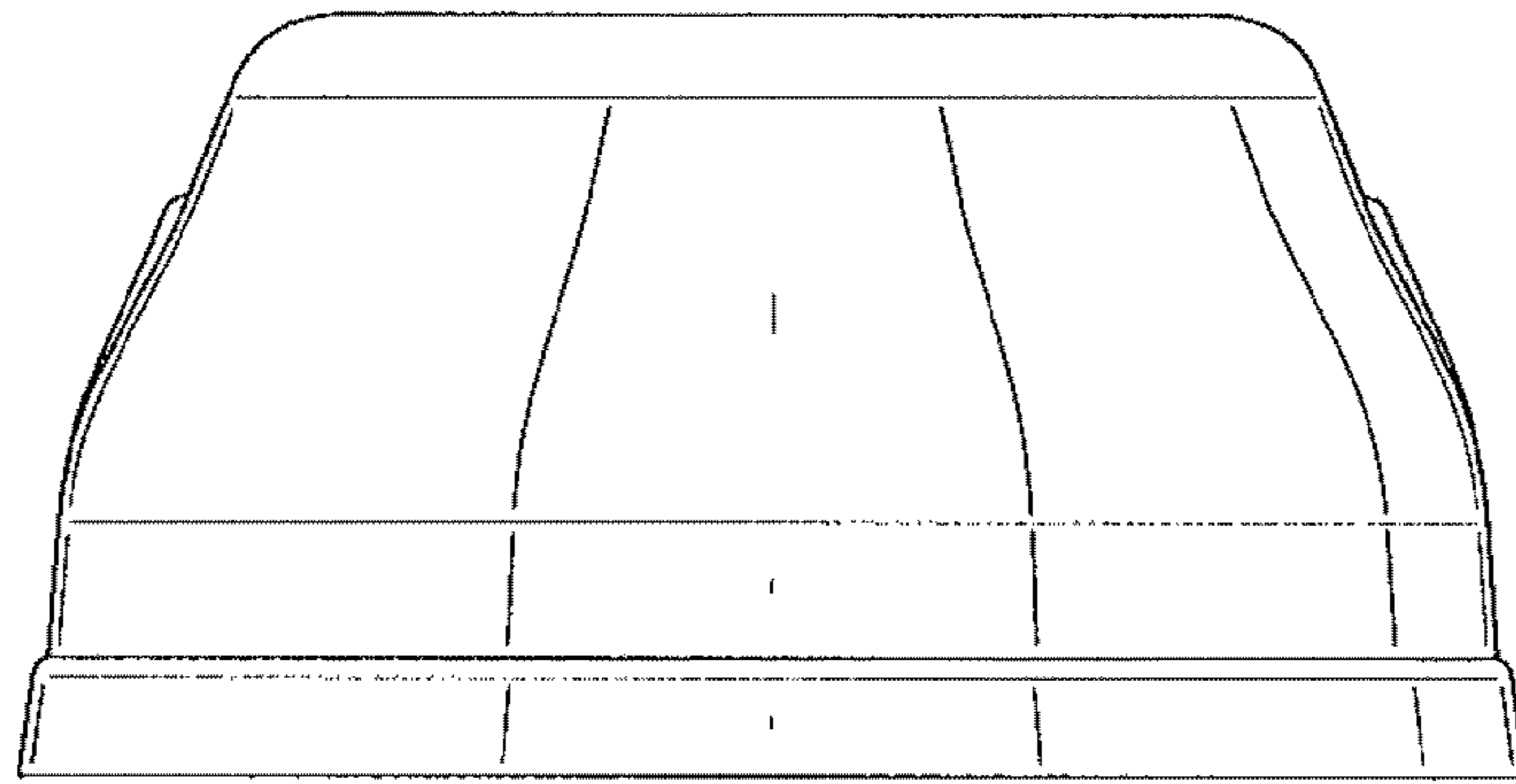


FIG. 4

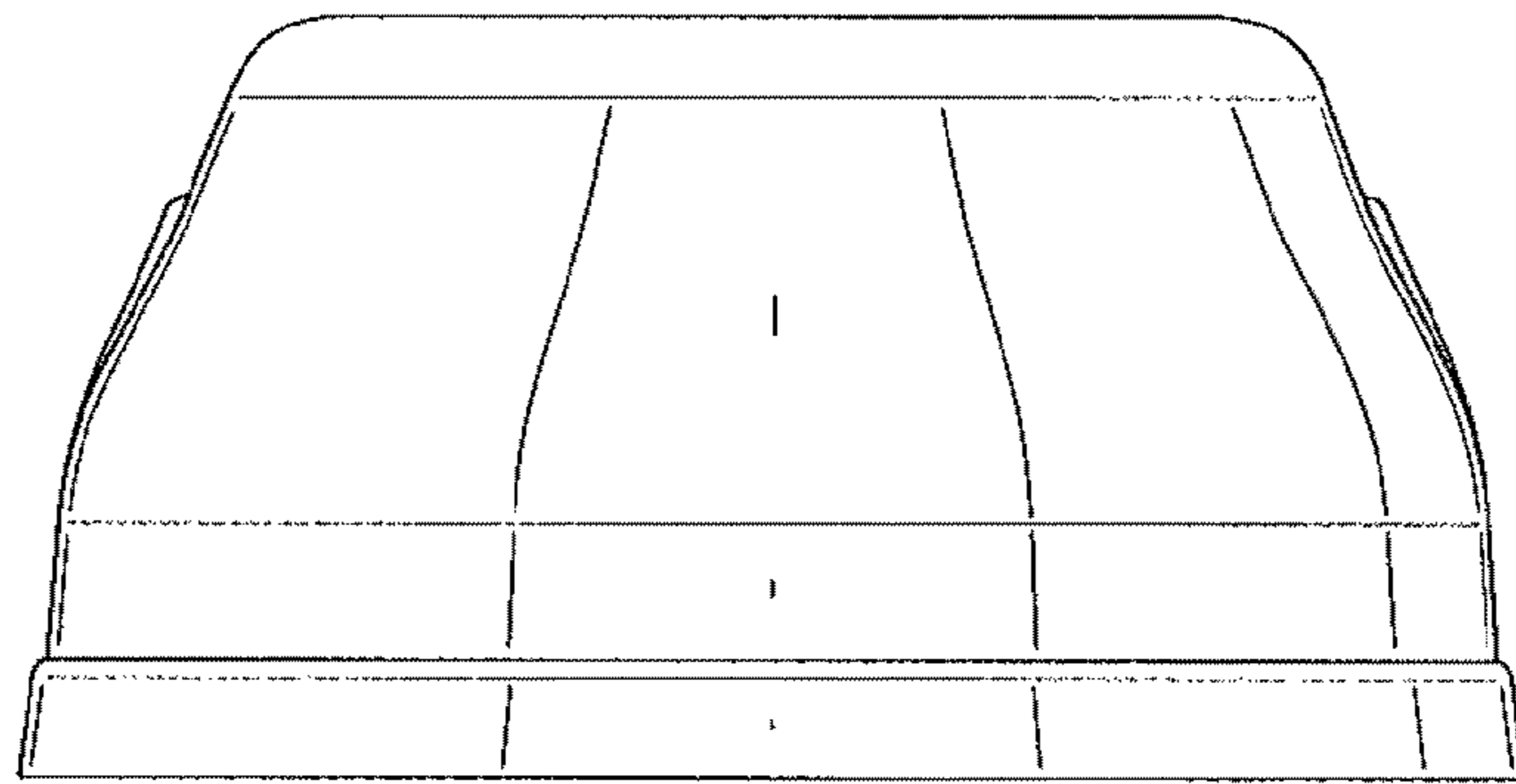


FIG. 5

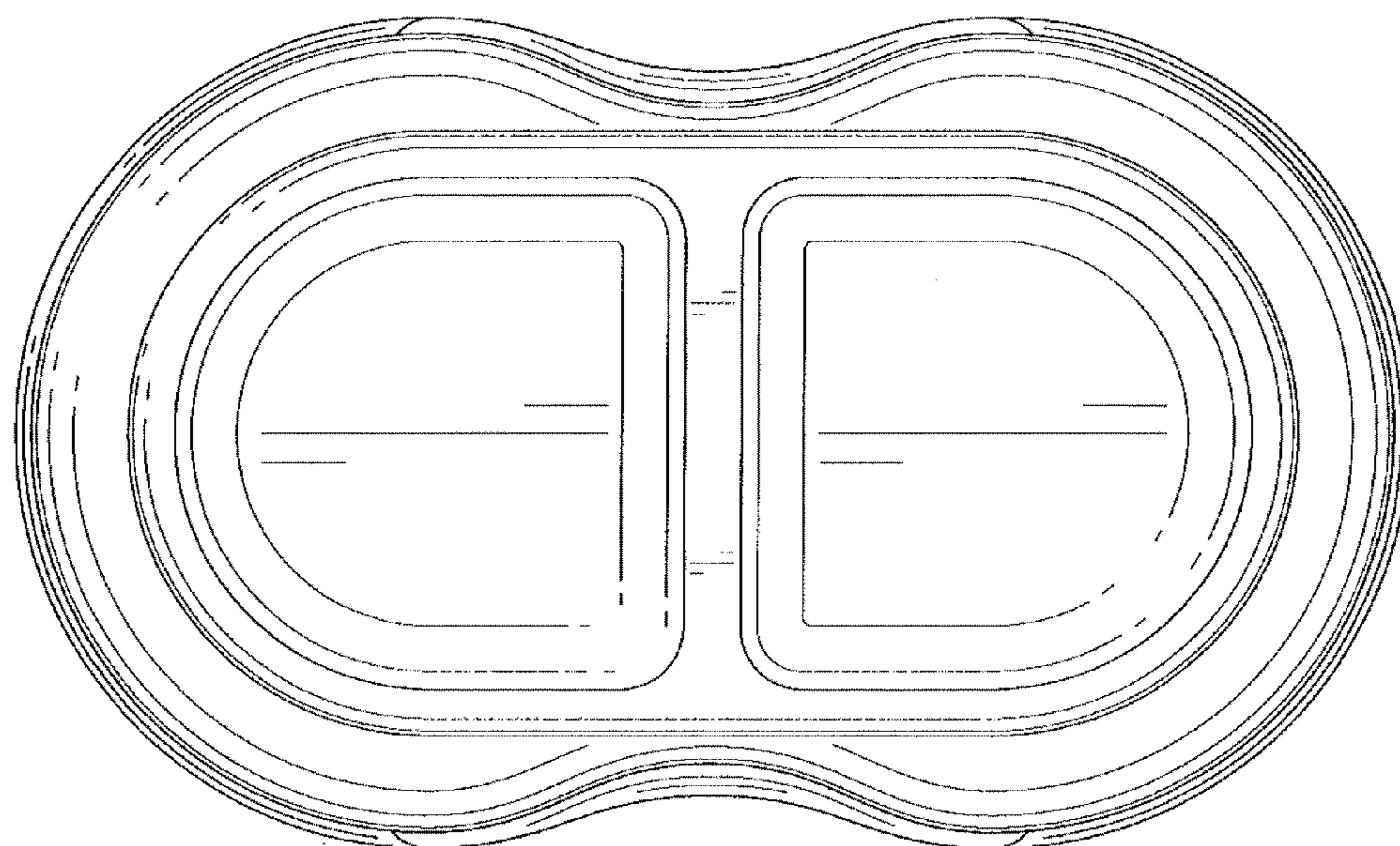


FIG. 6

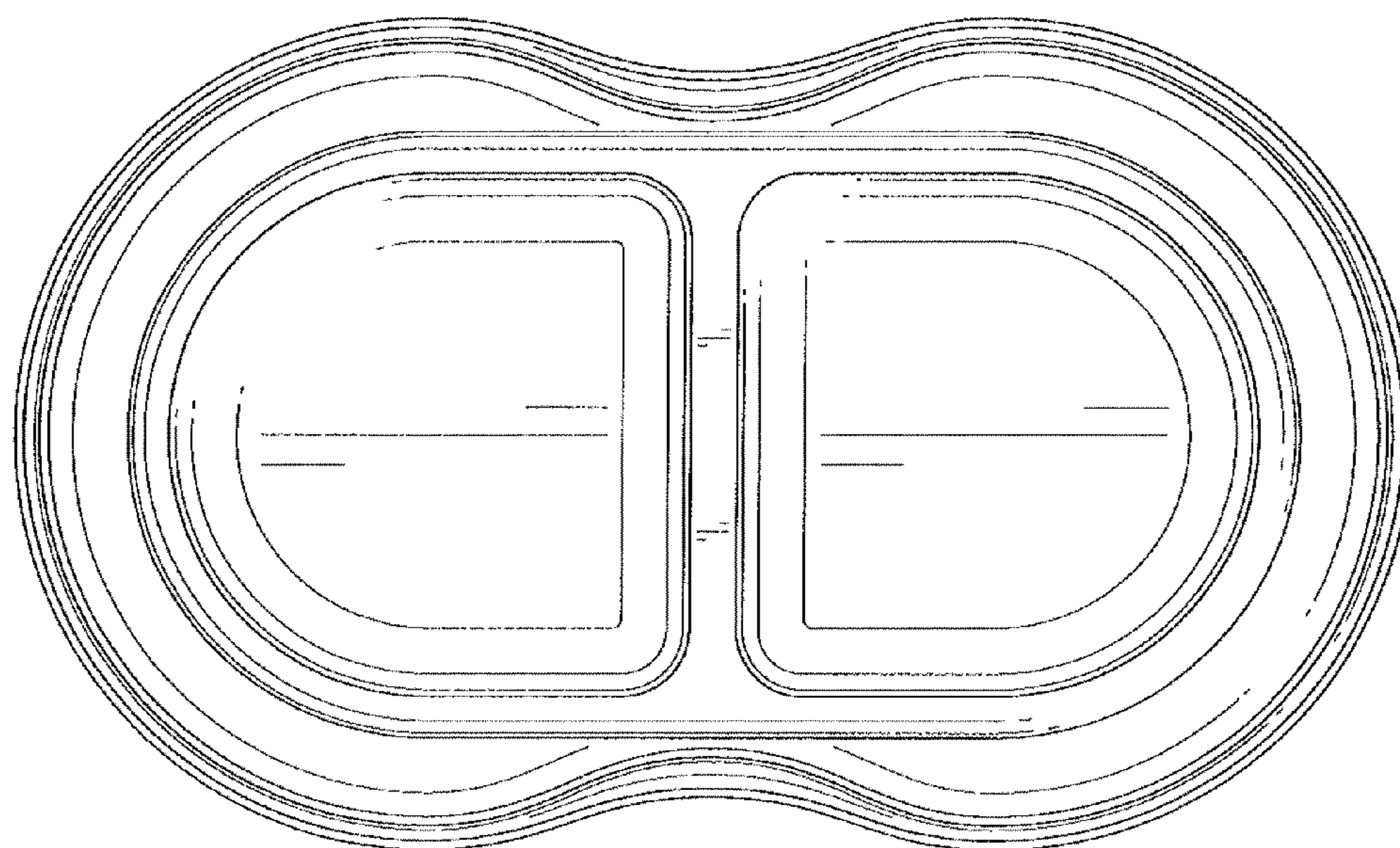


FIG. 7