



US00D652995S

(12) **United States Design Patent**
VanBuuren et al.

(10) **Patent No.:** **US D652,995 S**
(45) **Date of Patent:** **** Jan. 24, 2012**

(54) **ANIMAL HOUSING UNIT**

(75) Inventors: **Darren VanBuuren**, Grassie (CA);
Marc Jean-Luc Beaudry, Boucherville
(CA)

(73) Assignee: **Poly Dome Ontario, Inc.**, Grassie,
Ontario (CA)

(**) Term: **14 Years**

(21) Appl. No.: **29/380,180**

(22) Filed: **Dec. 1, 2010**

(51) **LOC (9) Cl.** **30-02**

(52) **U.S. Cl.** **D30/108**

(58) **Field of Classification Search** D30/108-120,
D30/161; 119/28.5, 161-170, 482, 496-499,
119/502, 512-513, 712

See application file for complete search history.

(56) **References Cited**

U.S. PATENT DOCUMENTS

D240,051 S *	5/1976	Mayfield	D30/113
D267,904 S *	2/1983	Hampel et al.	D30/108
D267,905 S *	2/1983	Keith	D30/108
D320,479 S *	10/1991	Cheval et al.	D30/108
D363,367 S *	10/1995	Hampel	D30/108
D426,351 S *	6/2000	Hampel	D30/108
D450,890 S *	11/2001	Van Buuren	D30/108
2009/0229534 A1 *	9/2009	Fredericks	119/484

* cited by examiner

Primary Examiner — T. Chase Nelson

Assistant Examiner — Ania Aman

(74) *Attorney, Agent, or Firm* — Steven Greenberg, Esq.;
Carey, Rodriguez, Greenberg & O’Keefe, LLP

(57) **CLAIM**

The ornamental design for an animal housing unit, as shown and described.

DESCRIPTION

FIG. 1 is a top front perspective view of a first embodiment of an animal housing unit according to our new design.

FIG. 2 is a top rear perspective view thereof.

FIG. 3 is a bottom rear perspective view thereof.

FIG. 4 is a right side view thereof.

FIG. 5 is a front view thereof.

FIG. 6 is a left side view thereof.

FIG. 7 is a rear view thereof.

FIG. 8 is a top view thereof.

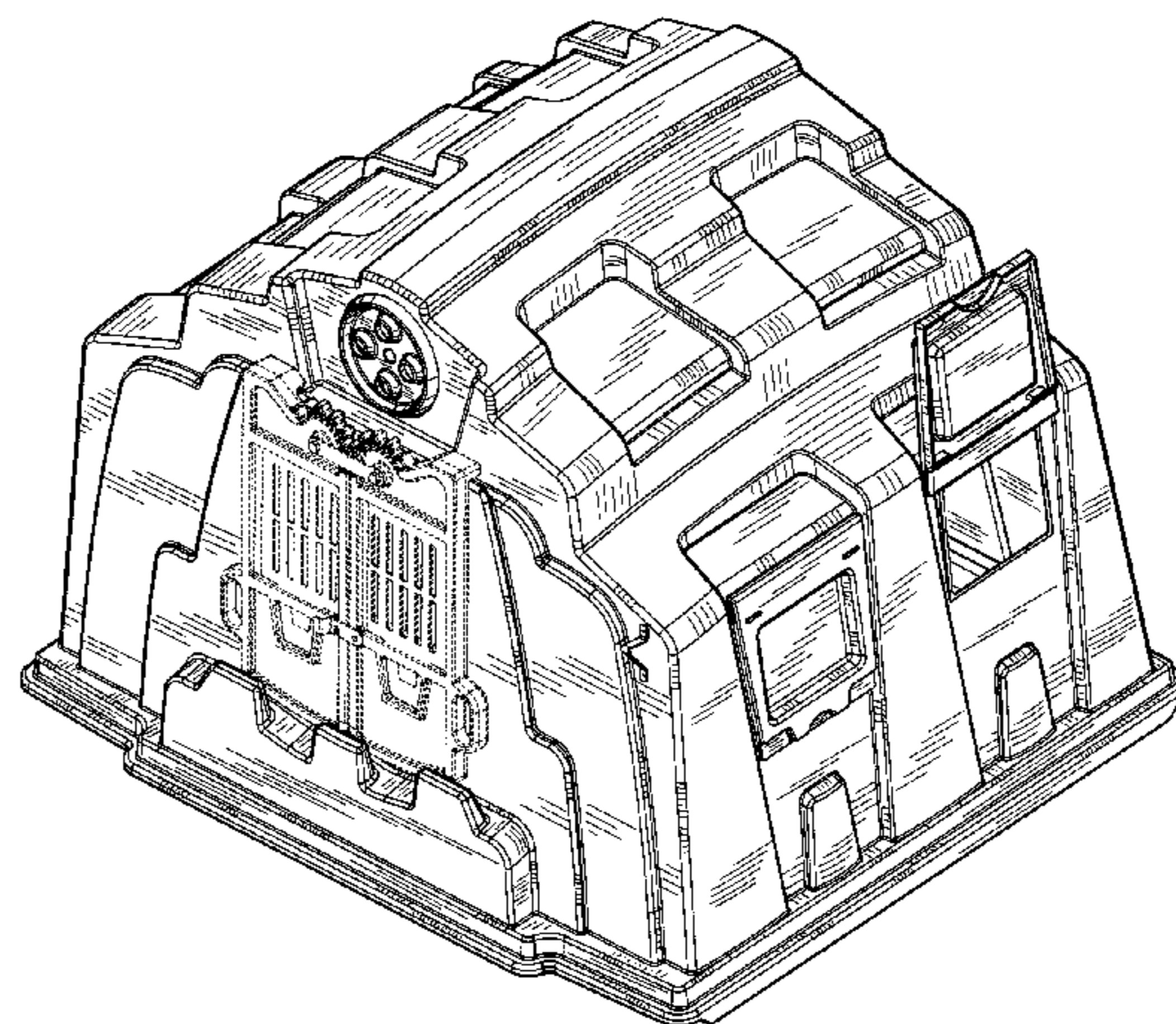
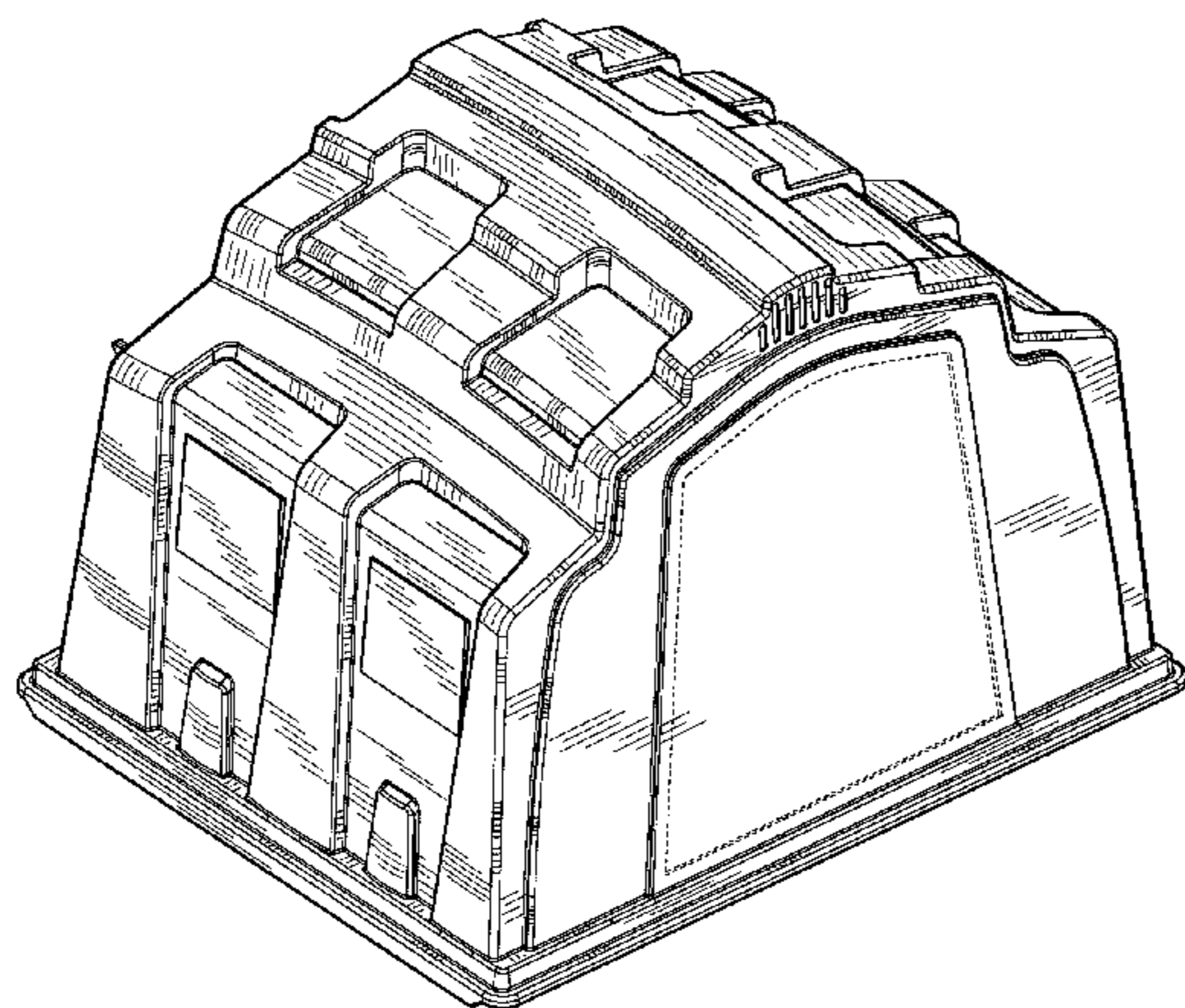
FIG. 9 is a bottom view thereof.

FIG. 10 is a top rear perspective view showing a rear opening thereof; and,

FIG. 11 is a top rear perspective view of a second embodiment of an animal housing unit according to our new design which is identical to the first embodiment except for the inclusion of side access ports on the right and left sides thereof, one of which is shown open and one of which is shown closed on the right side of the animal housing unit.

In the drawings, the broken lines depict portions of the animal housing unit that form no part of the claimed design.

1 Claim, 11 Drawing Sheets



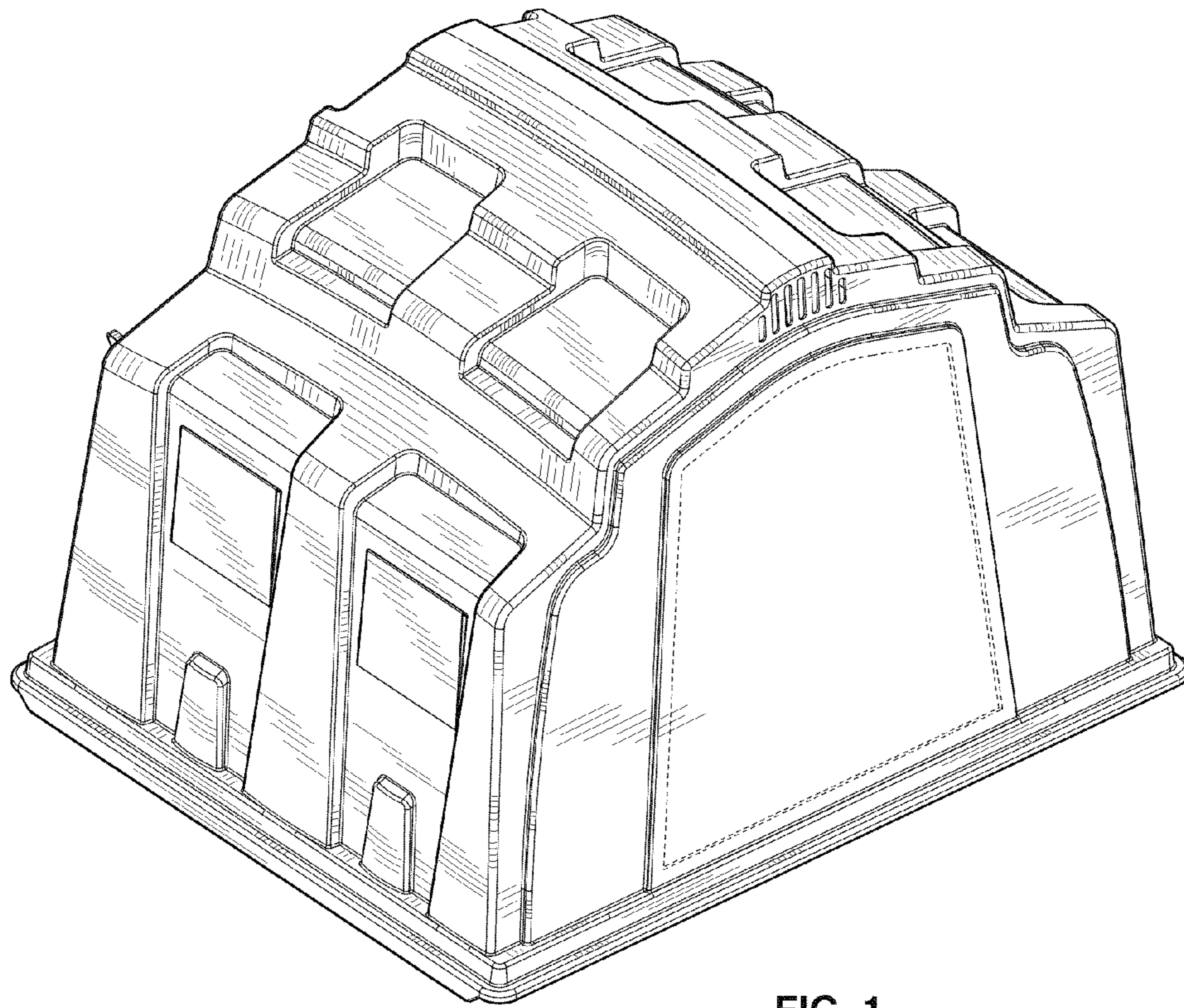


FIG. 1

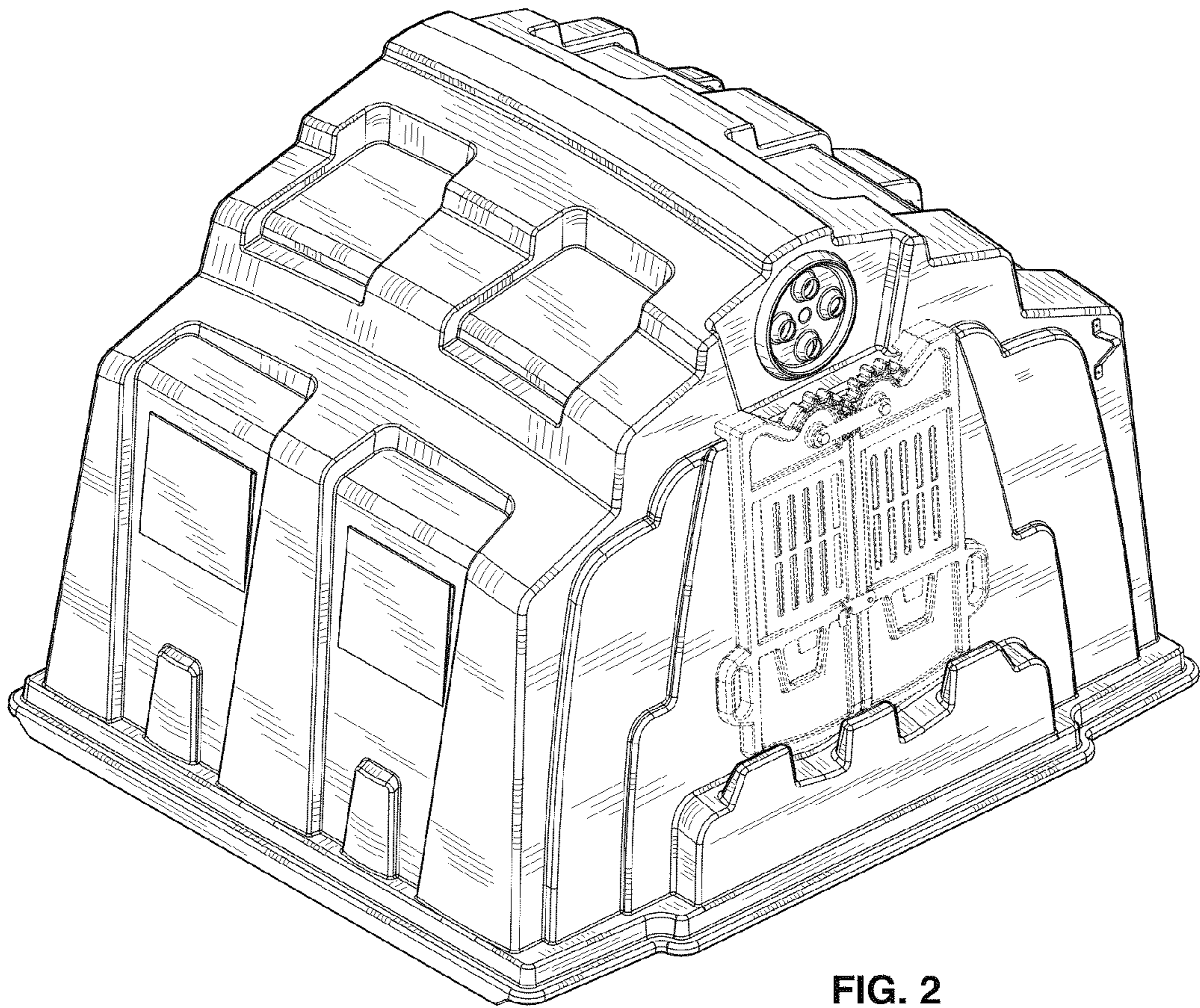


FIG. 2

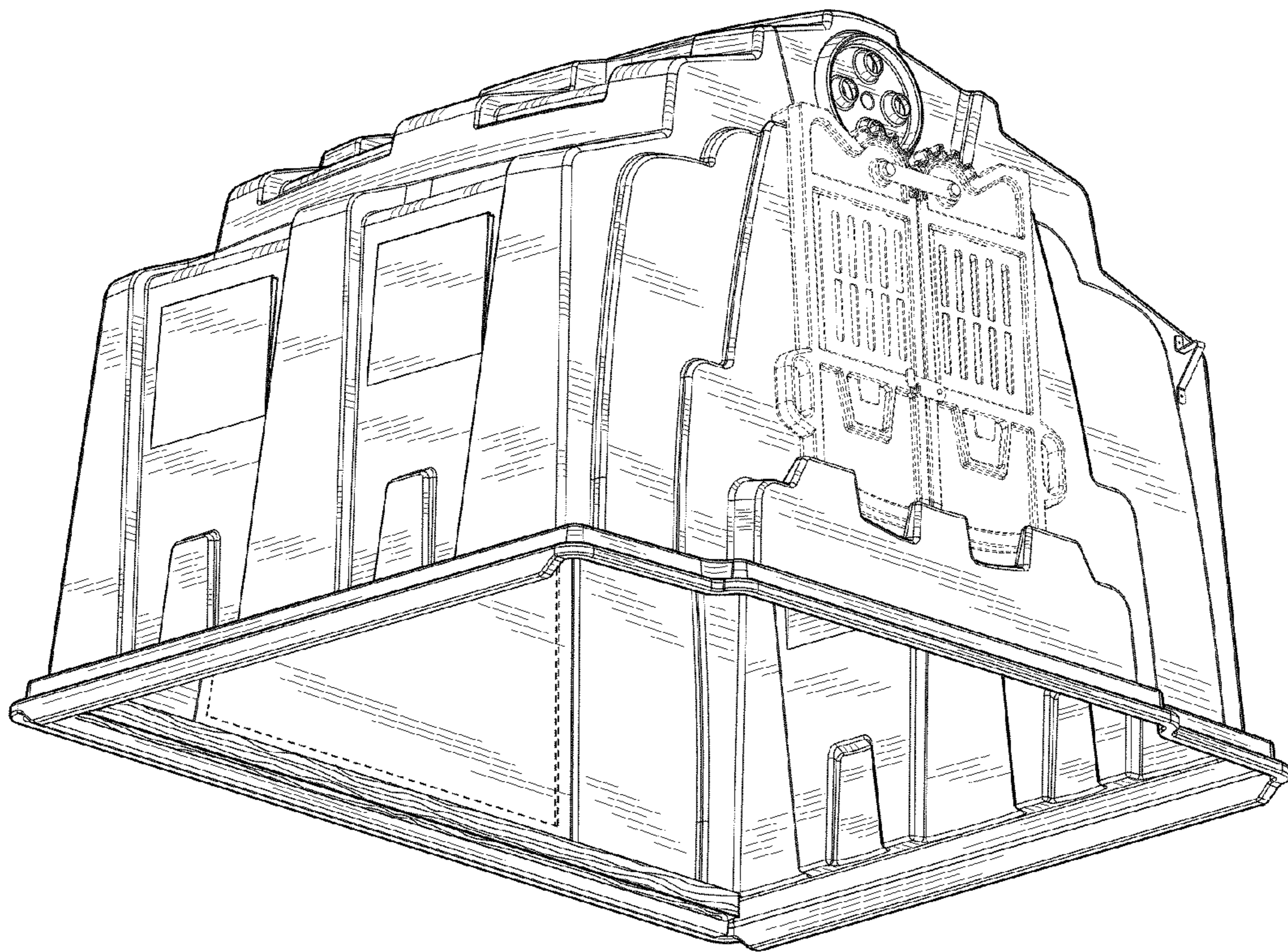


FIG. 3

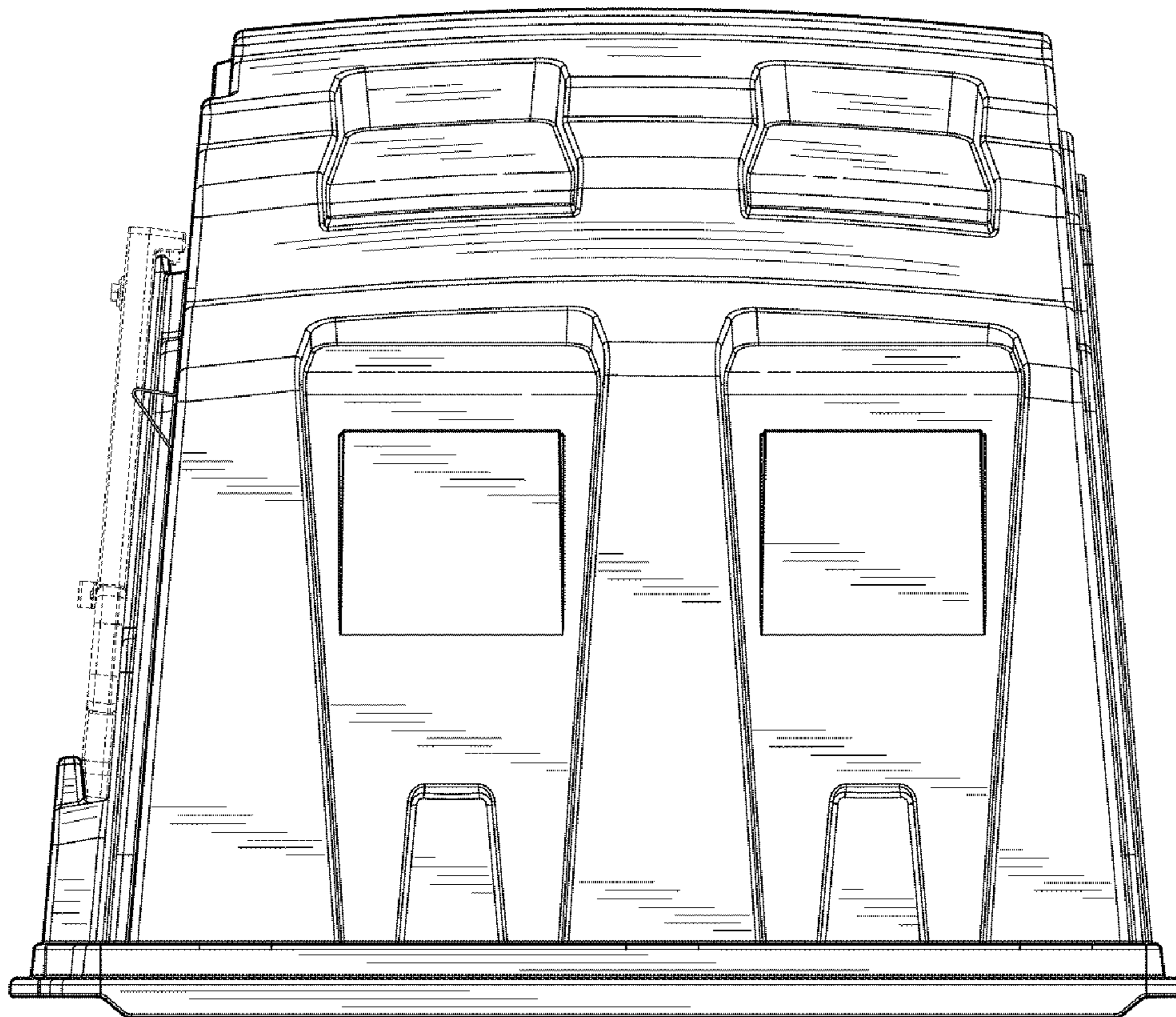


FIG. 4

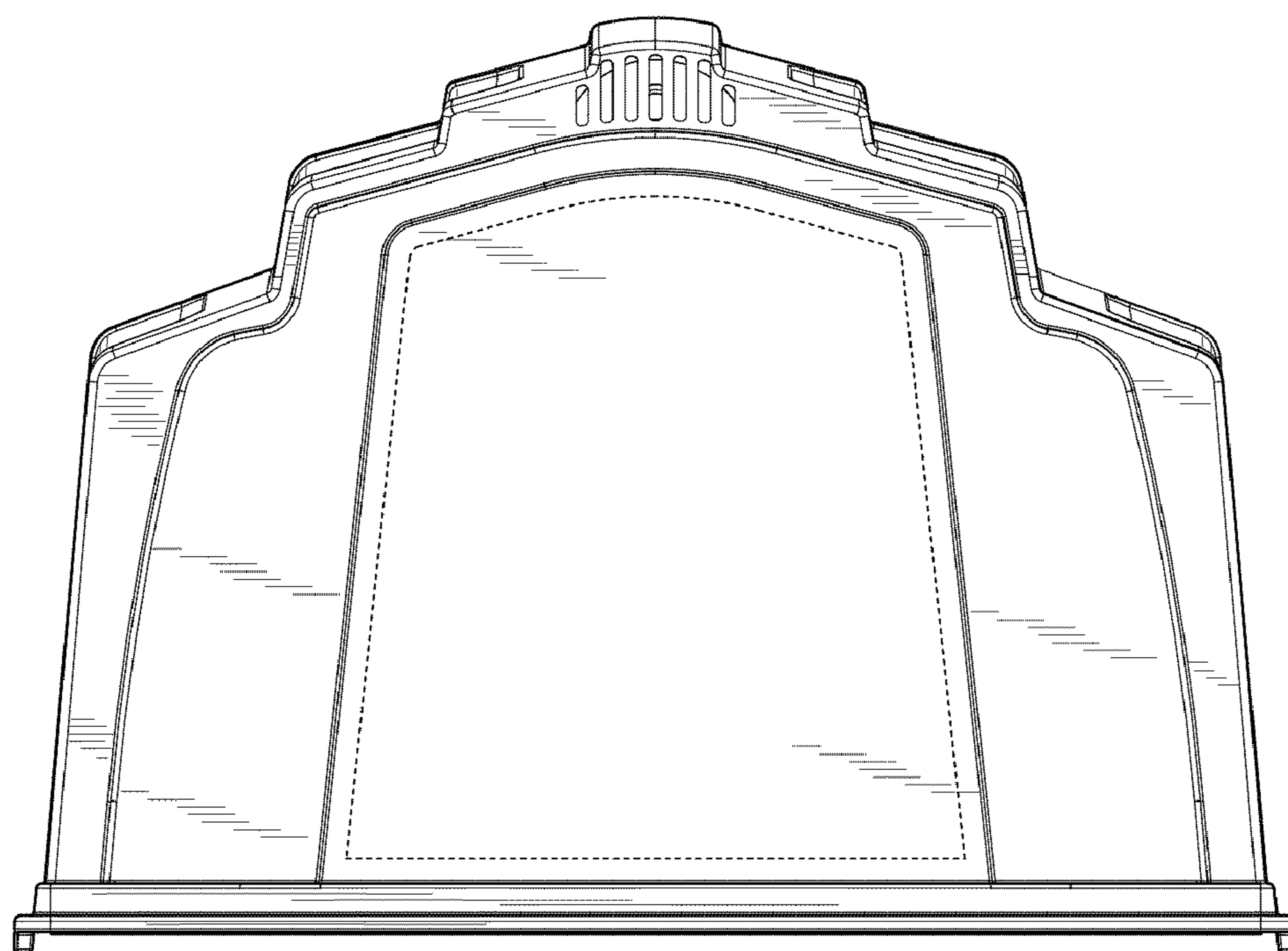


FIG. 5

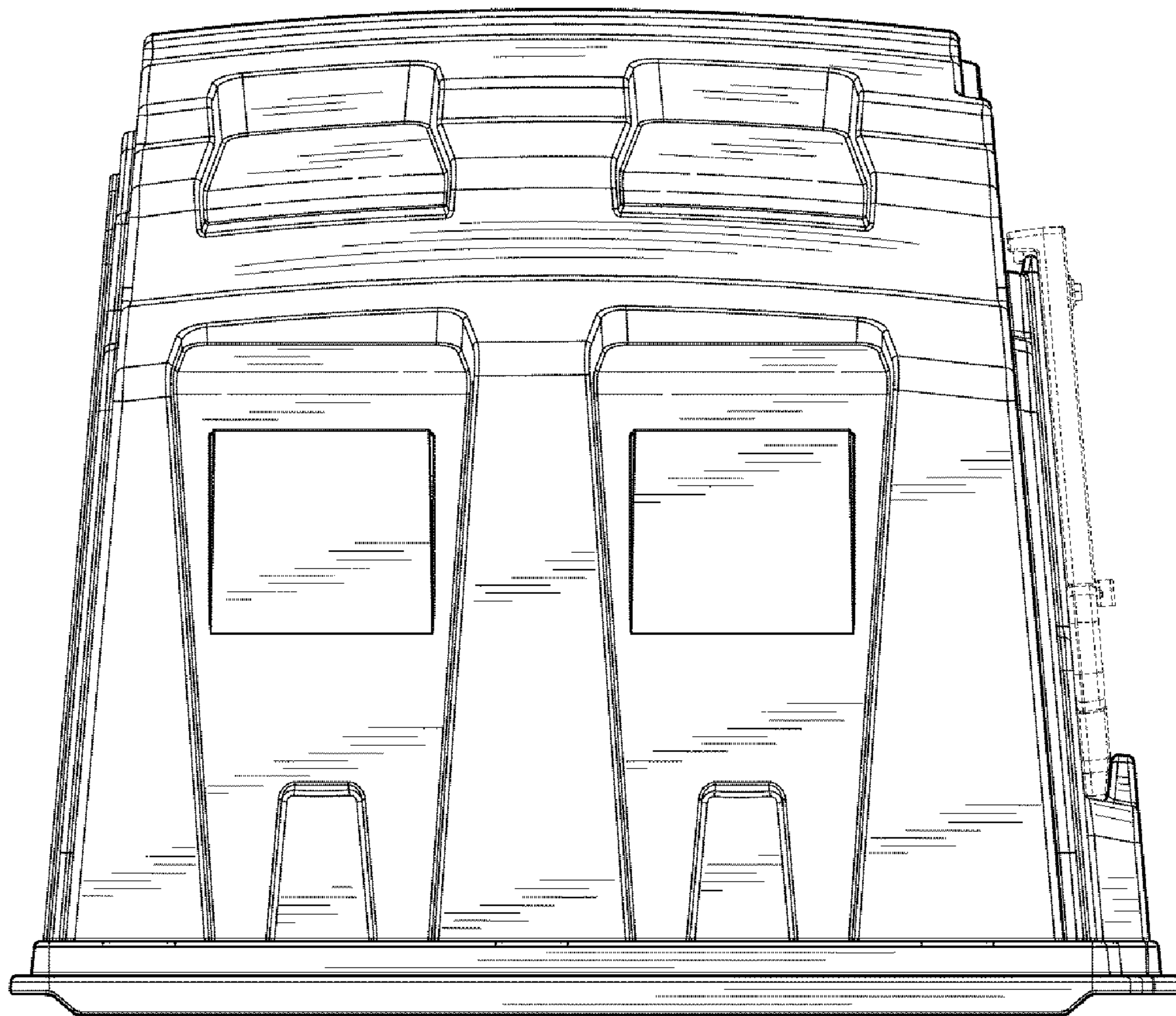


FIG. 6

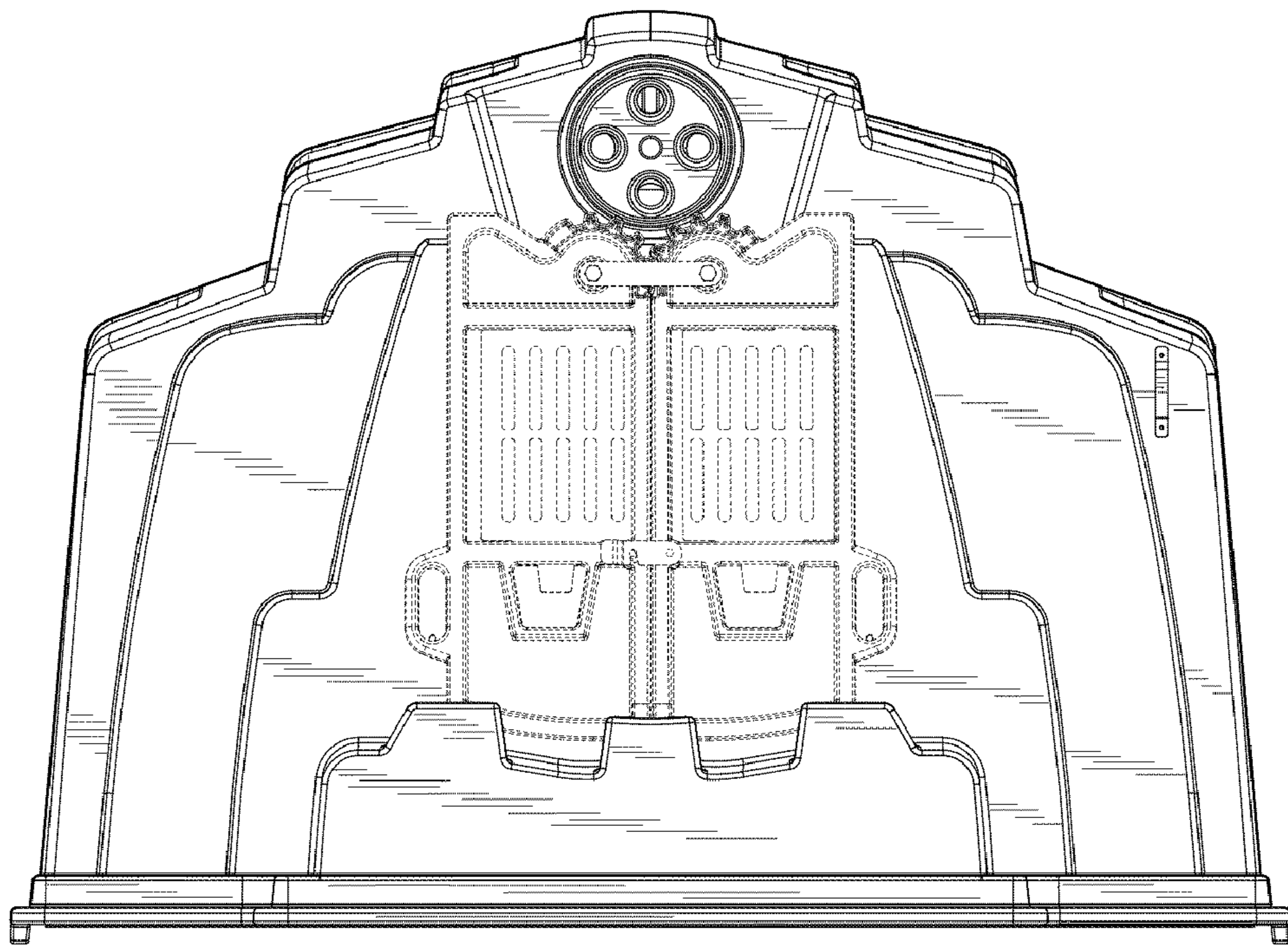


FIG. 7

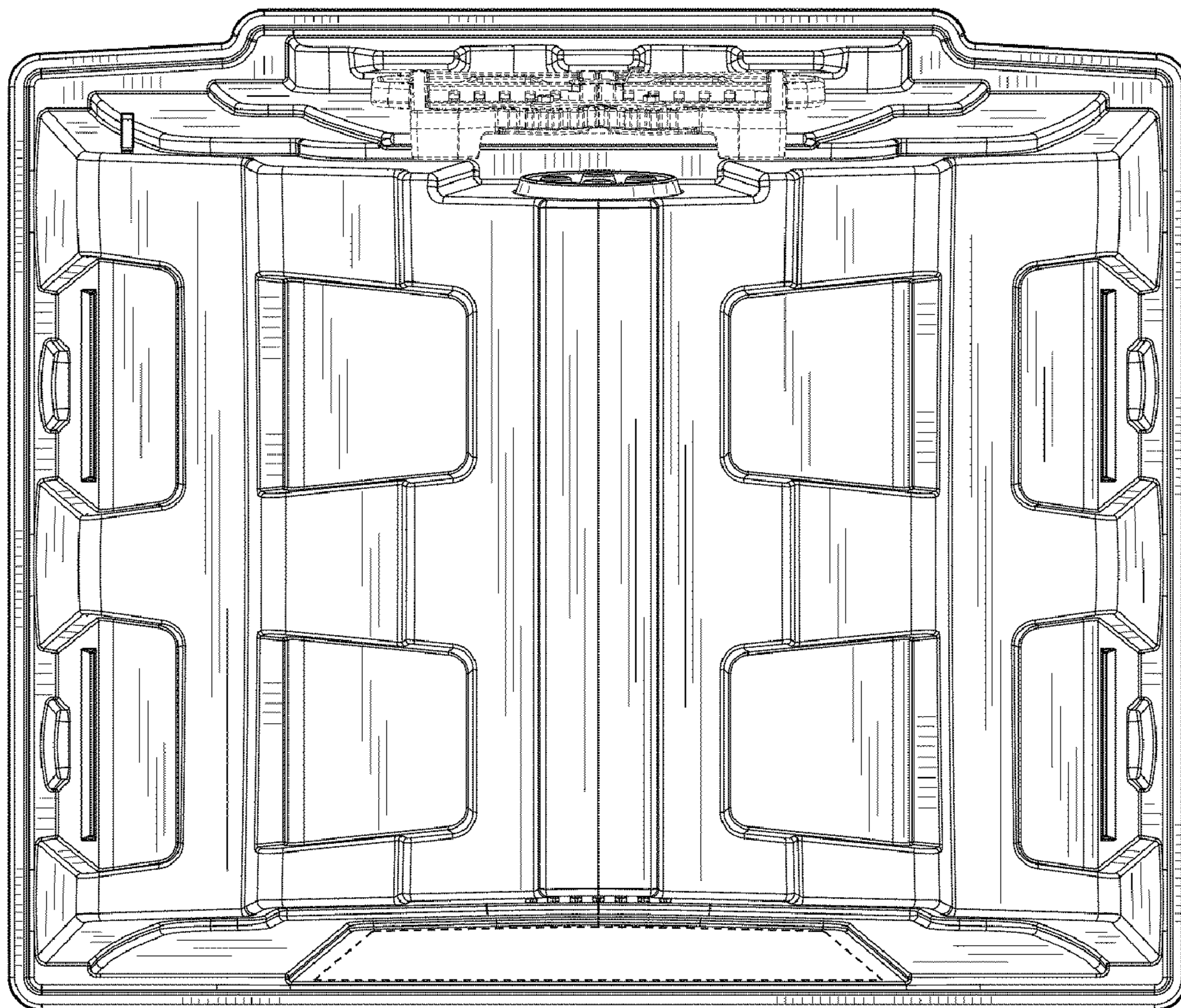


FIG. 8

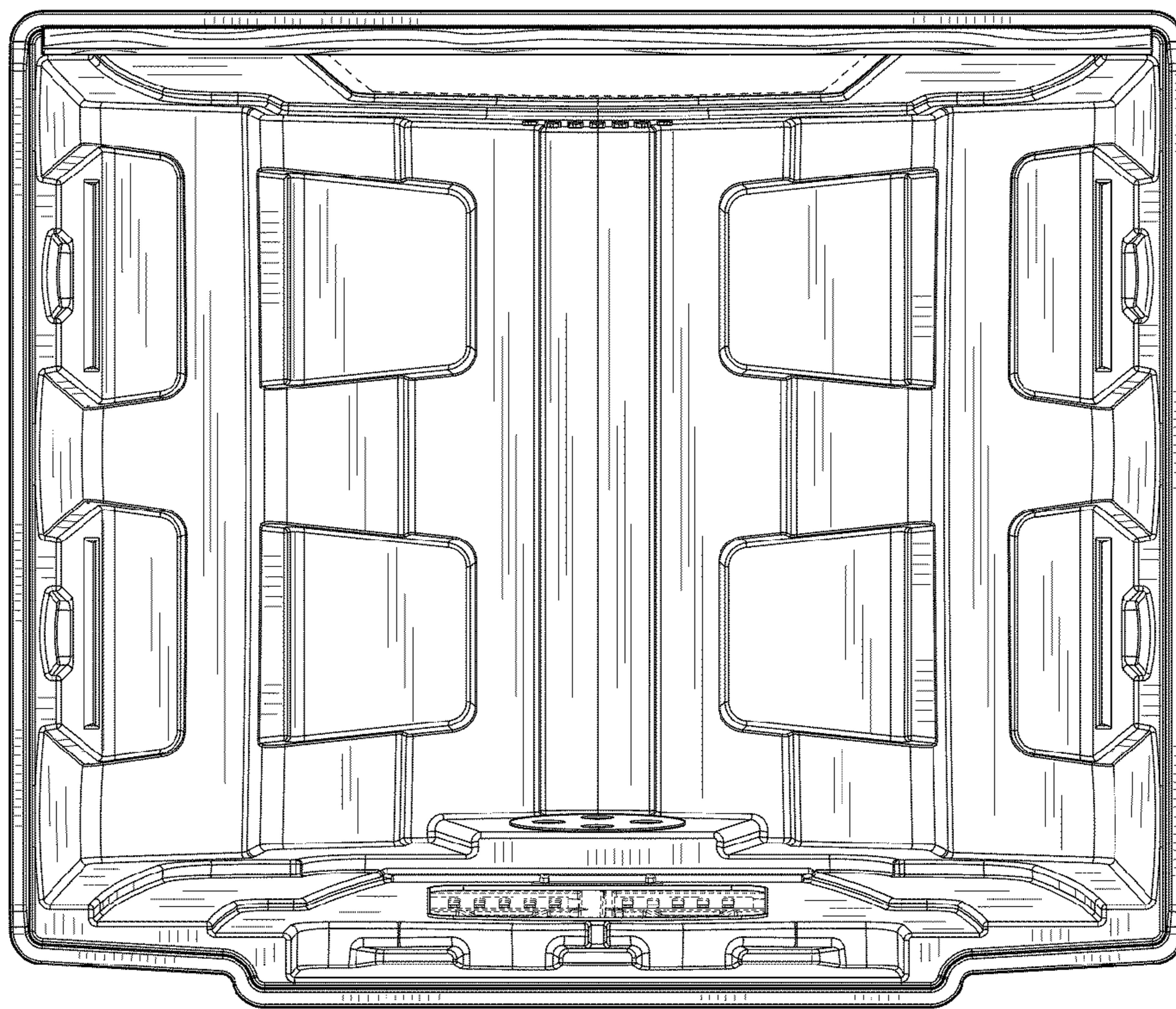


FIG. 9

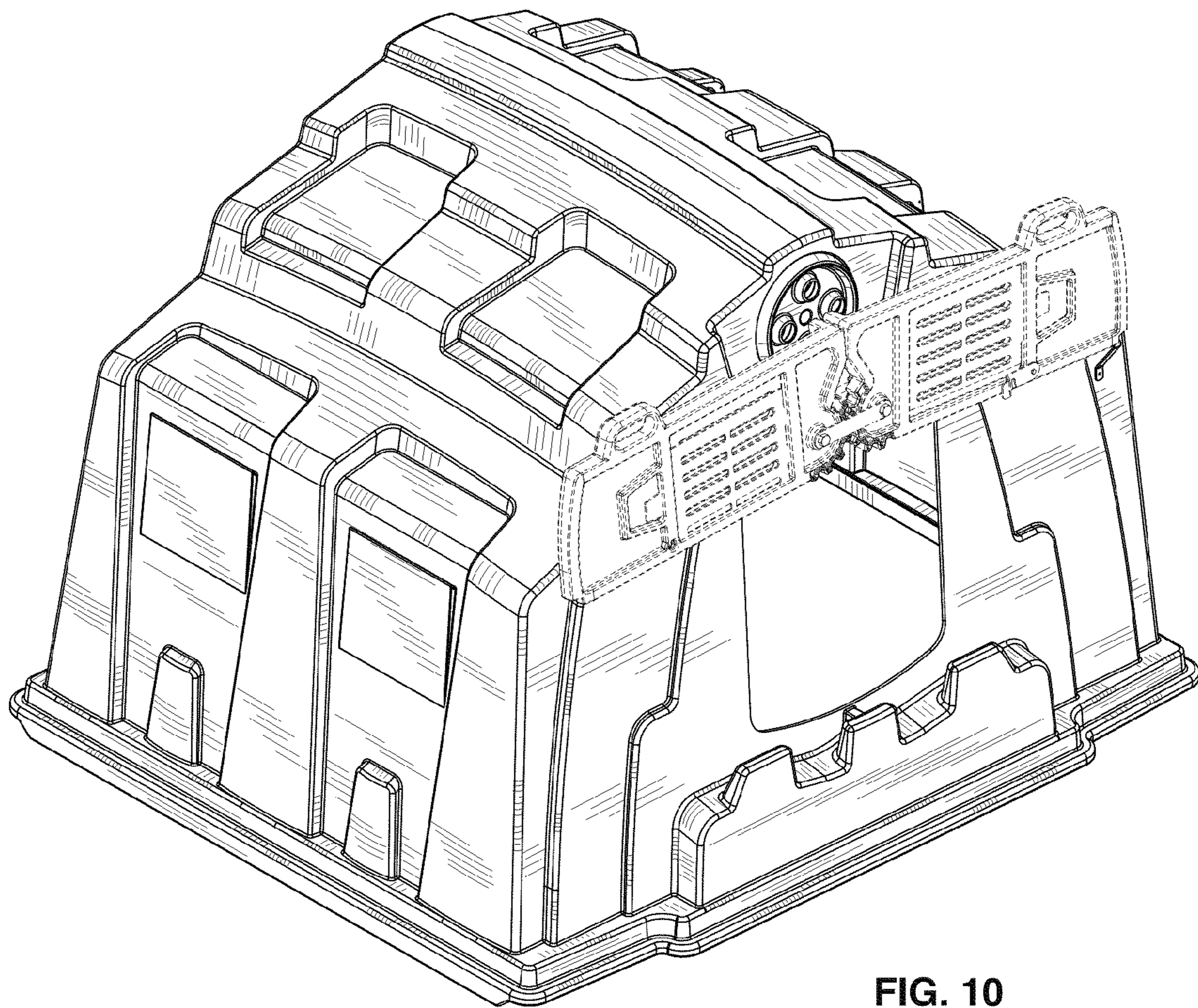


FIG. 10

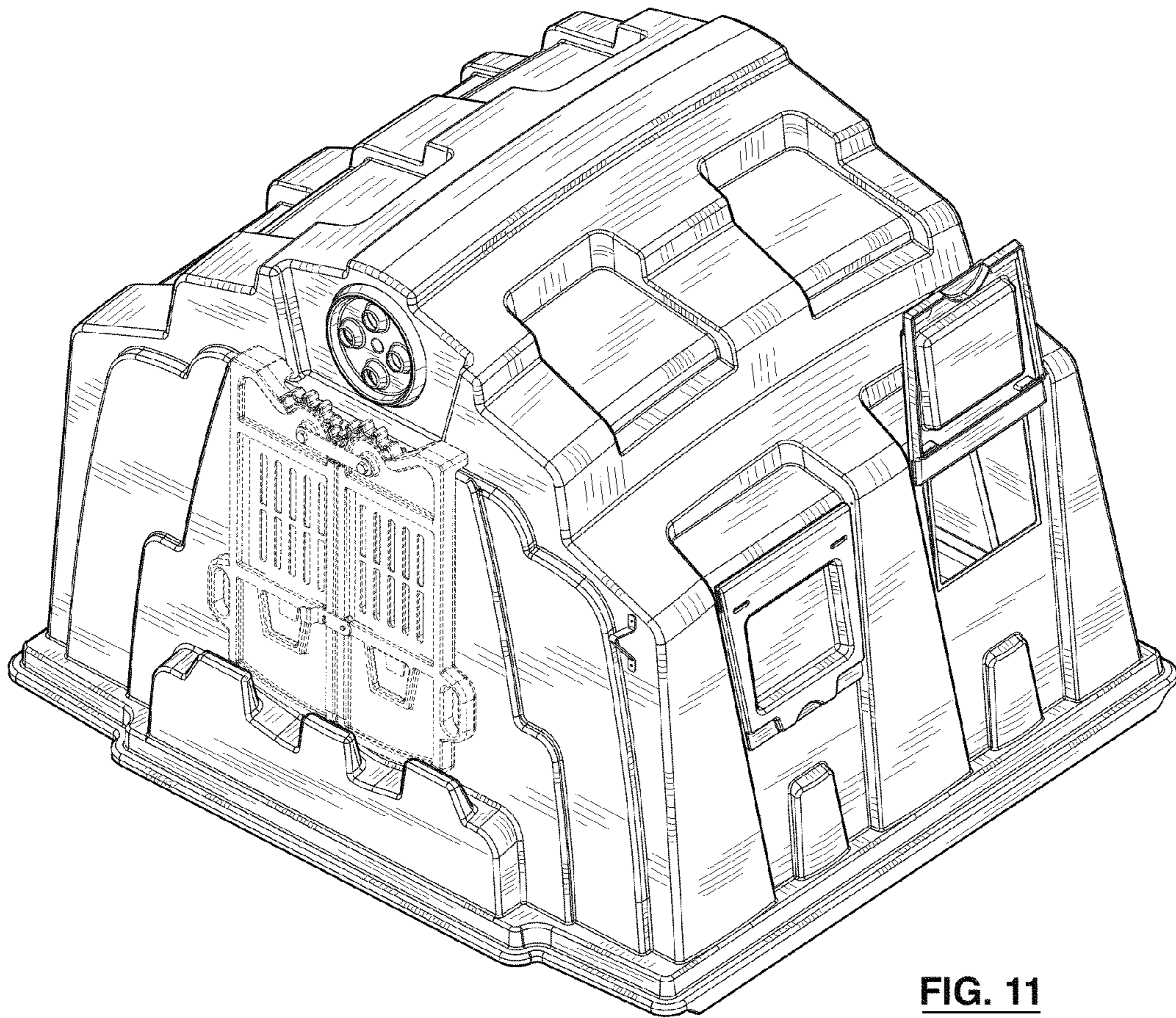


FIG. 11