



US00D652987S

(12) **United States Design Patent**  
**Kaljura**

(10) **Patent No.:** **US D652,987 S**

(45) **Date of Patent:** **\*\* Jan. 24, 2012**

(54) **SMOKING ARTICLE**

(75) Inventor: **Karl Kaljura**, Southampton (GB)

(73) Assignee: **British American Tobacco (Investments) Limited**, London (GB)

(\*\*) Term: **14 Years**

(21) Appl. No.: **29/356,615**

(22) Filed: **Mar. 1, 2010**

**Related U.S. Application Data**

(62) Division of application No. 29/303,173, filed on Feb. 1, 2008, now Pat. No. Des. 613,902.

(30) **Foreign Application Priority Data**

Aug. 10, 2007 (EM) ..... 000778220

(51) **LOC (9) Cl.** ..... **27-01**

(52) **U.S. Cl.** ..... **D27/101**

(58) **Field of Classification Search** ..... D27/100-101;  
131/88-95, 360-365

See application file for complete search history.

(56) **References Cited**

**U.S. PATENT DOCUMENTS**

2,584,060 A 1/1952 Stephano  
D229,788 S \* 1/1974 Berger ..... D27/101  
D229,789 S \* 1/1974 Berger ..... D27/101  
D229,790 S 1/1974 Berger

4,552,158 A \* 11/1985 Berger ..... 131/94  
4,995,407 A 2/1991 Kosiakoff et al.  
5,044,381 A 9/1991 Thomas  
D453,854 S \* 2/2002 Verhoeven-Koster ..... D27/101  
2008/0029106 A1 2/2008 Mishra et al.  
2008/0115794 A1 5/2008 Oglesby  
2008/0156336 A1 \* 7/2008 Wyss-Peters et al. .... 131/88  
2008/0173320 A1 7/2008 Dunlap et al.  
2008/0202542 A1 8/2008 Hampl et al.

**FOREIGN PATENT DOCUMENTS**

JP 02-46585 3/1990

\* cited by examiner

*Primary Examiner* — Jennifer Rivard

(74) *Attorney, Agent, or Firm* — Chadbourne & Parke LLP;  
Walter G. Hanchuk

(57) **CLAIM**

The ornamental design for a smoking article, as shown and described.

**DESCRIPTION**

FIG. 1 is a left end, perspective view of of the smoking article showing the design of the disclosed invention;

FIG. 2 is a plan view thereof, the opposite plan view being a mirror image;

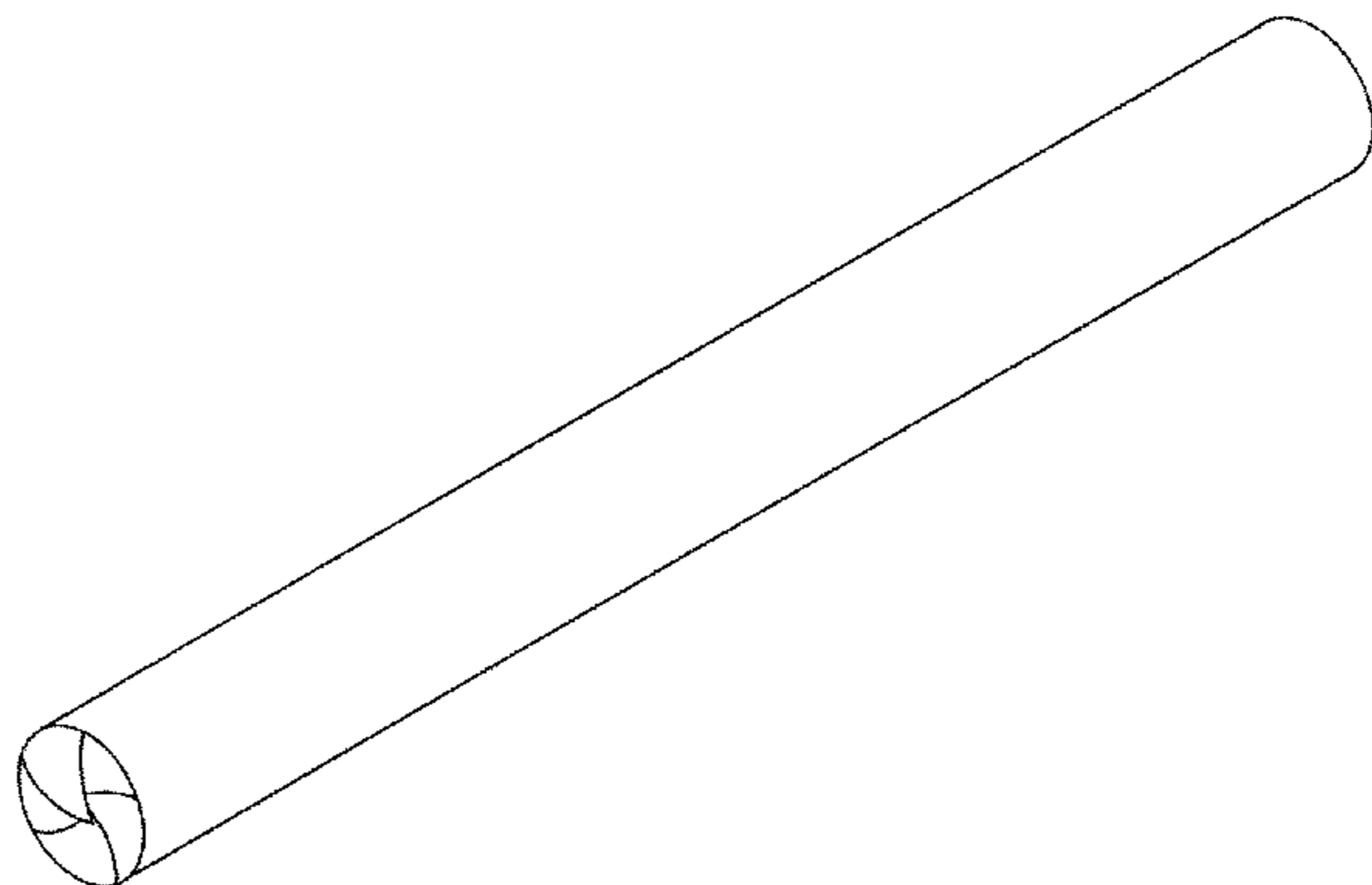
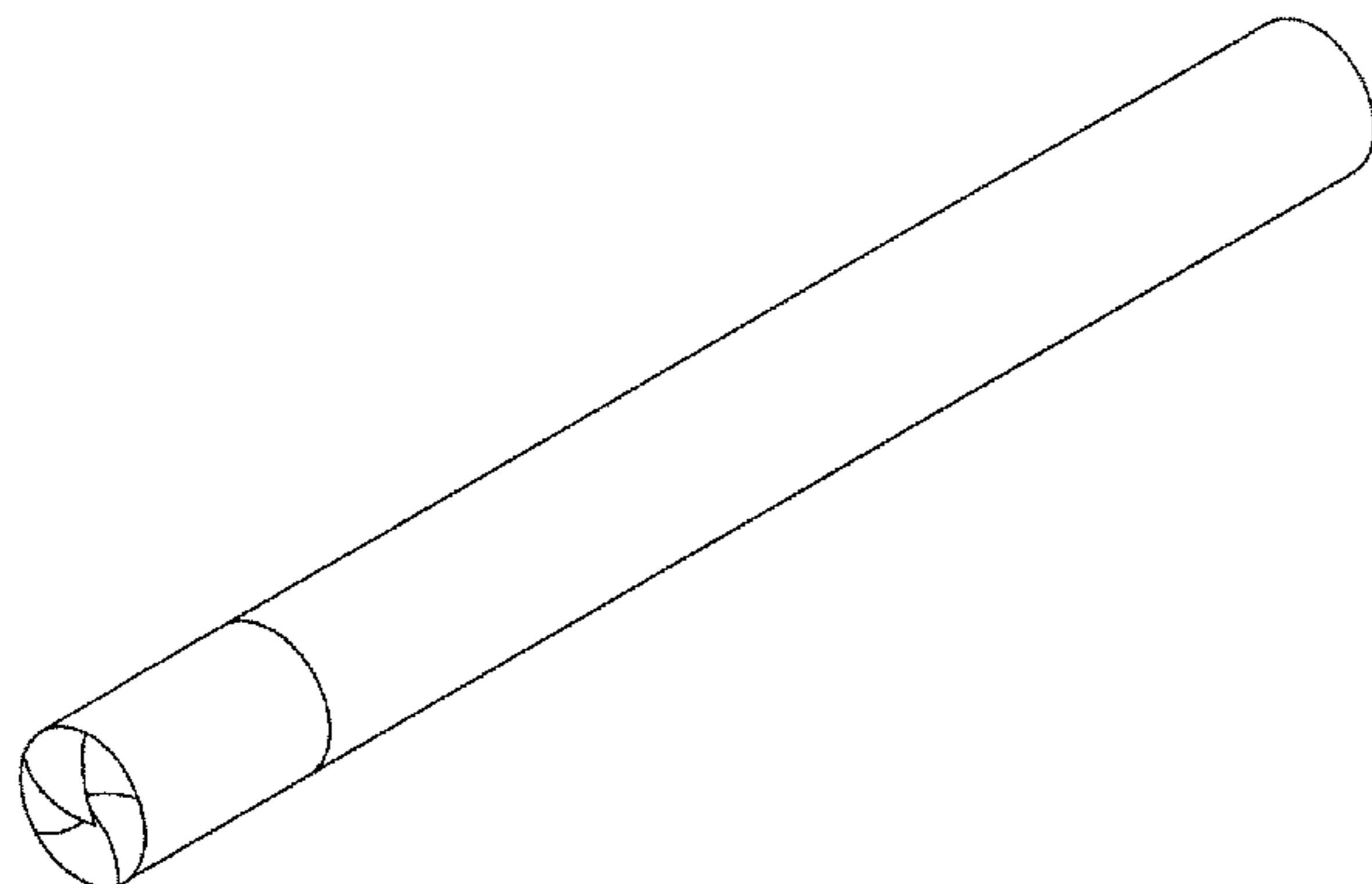
FIG. 3 is a left end view thereof;

FIG. 4 is a left end, perspective view of a second embodiment of the smoking article;

FIG. 5 is a plan view of the second embodiment thereof, the opposite plan view being a mirror image; and,

FIG. 6 is a left end view of the second embodiment thereof.

**1 Claim, 4 Drawing Sheets**



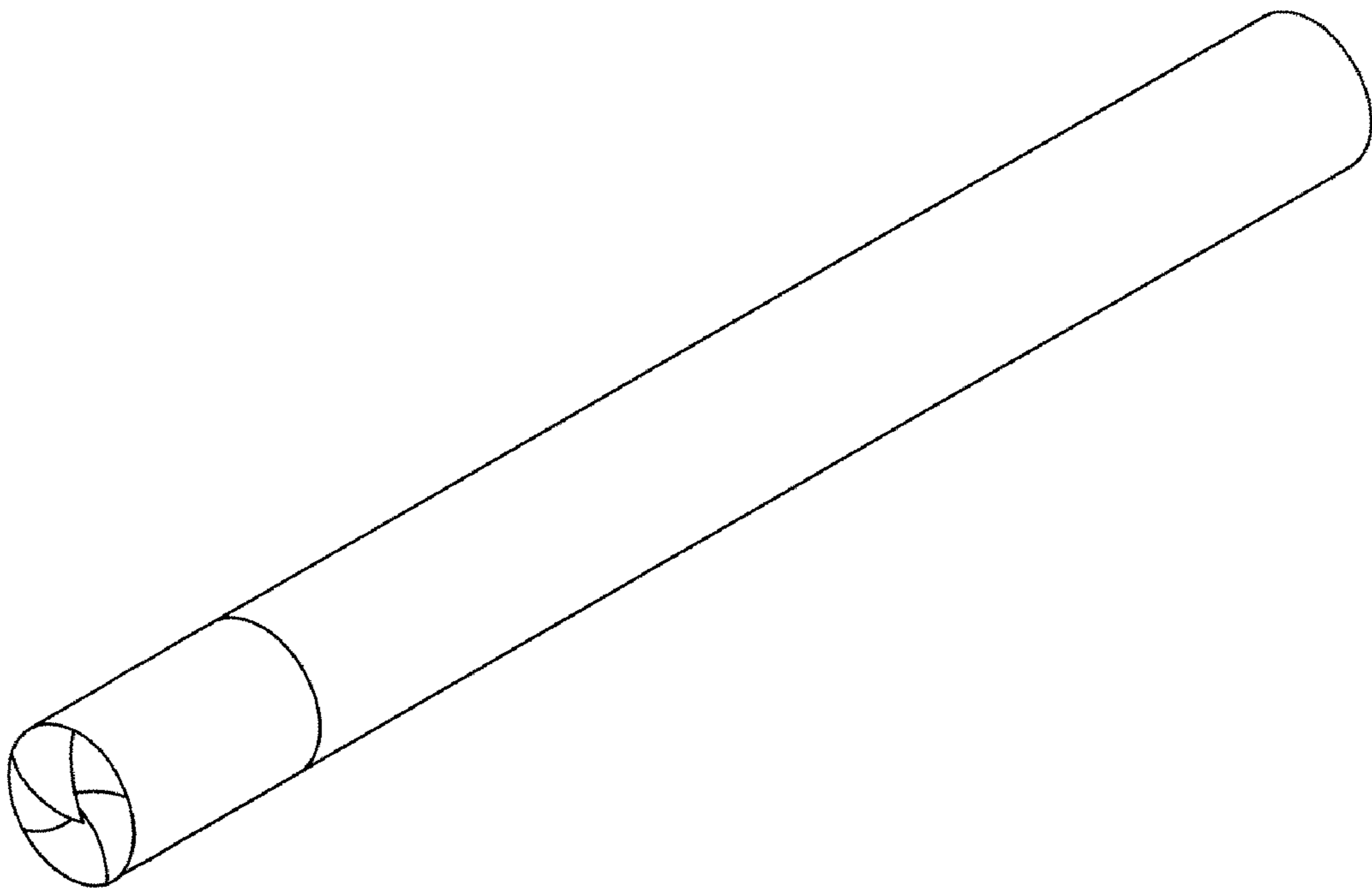


FIGURE 1



FIGURE 2

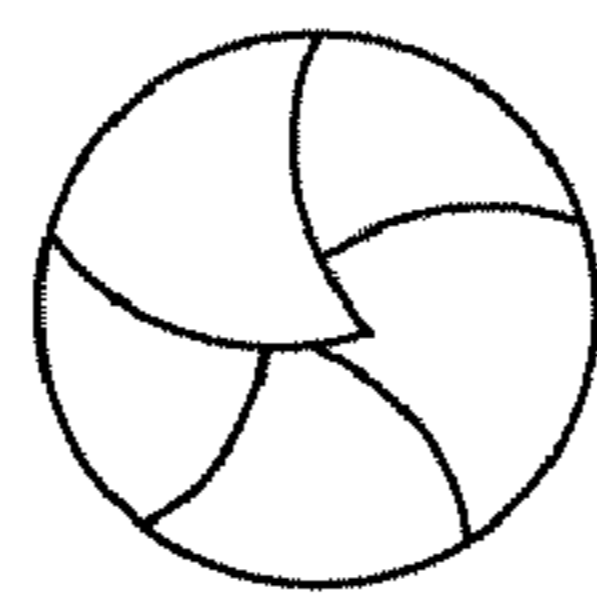


FIGURE 3

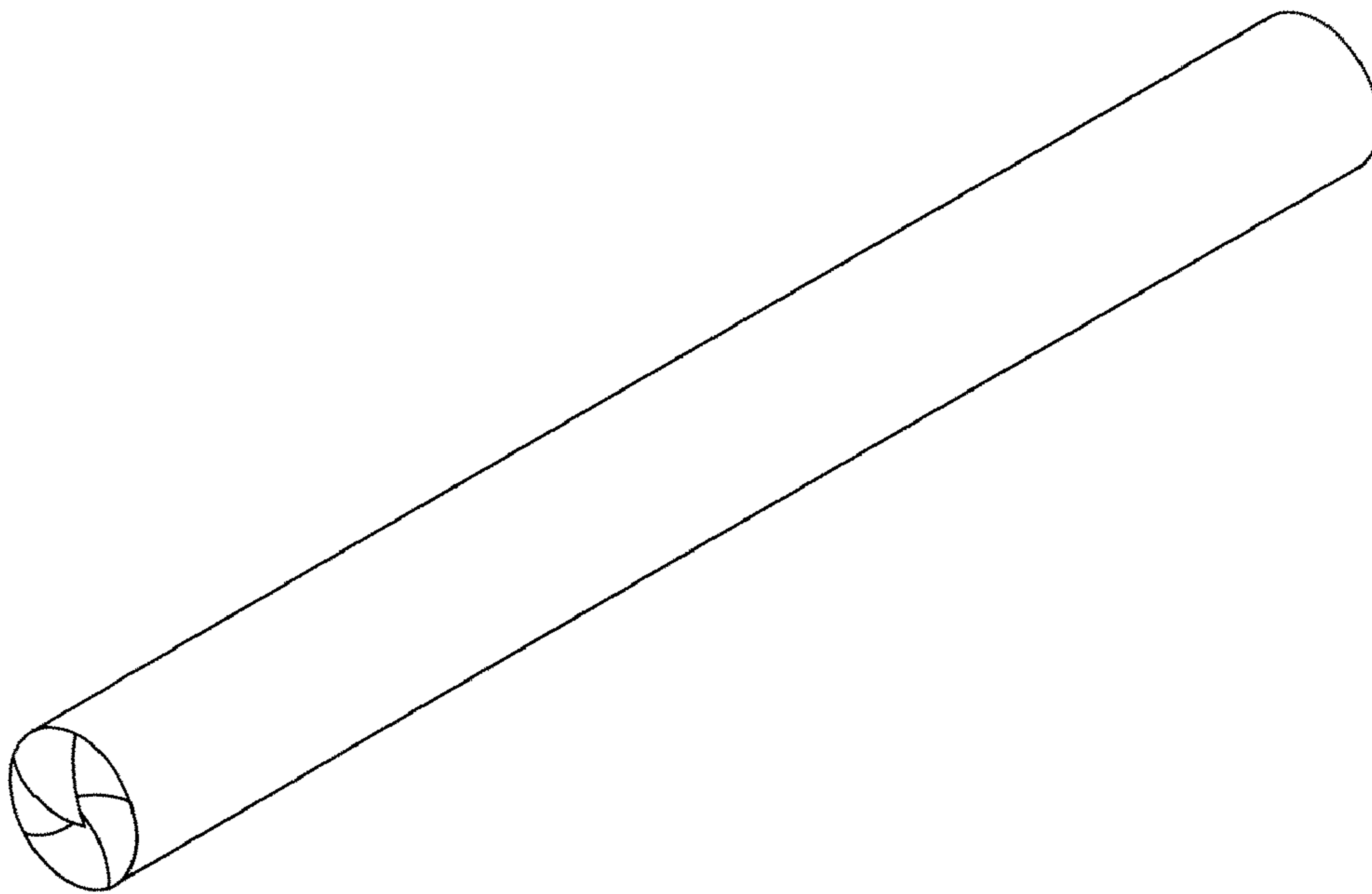


FIGURE 4



FIGURE 5

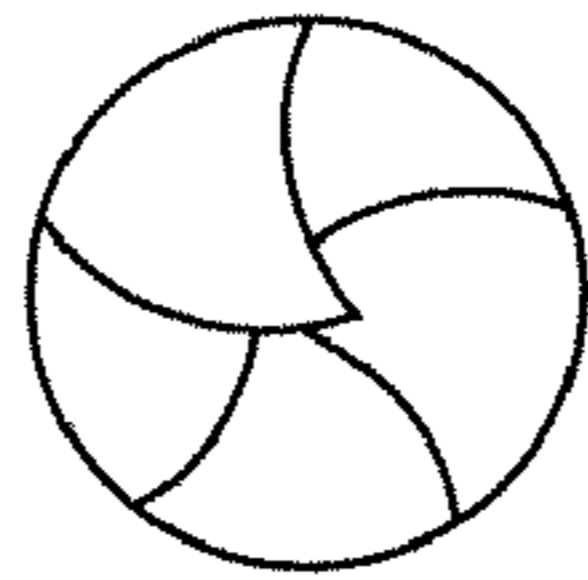


FIGURE 6