



US00D652983S

(12) **United States Design Patent**  
**Quadri**

(10) **Patent No.:** **US D652,983 S**  
(45) **Date of Patent:** **\*\* Jan. 24, 2012**

(54) **LIGHT PROJECTOR**

(75) Inventor: **Pasquale Quadri, Torre De' Roveri (IT)**

(73) Assignee: **Clay Paky S.p.A., Seriate (IT)**

(\*\*) Term: **14 Years**

(21) Appl. No.: **29/387,114**

(22) Filed: **Mar. 9, 2011**

(30) **Foreign Application Priority Data**

Sep. 10, 2010 (EM) ..... 1234009

(51) **LOC (9) Cl.** ..... **26-99**

(52) **U.S. Cl.** ..... **D26/118**

(58) **Field of Classification Search** ..... D26/38,

D26/36, 46, 73, 76, 81, 84, 88, 118, 138,  
D26/120, 13, 154, 155, 145, 86, 87, 85, 142,  
D26/61, 24, 93, 92, 153, 91, 74, 121, 122,  
D26/71, 110, 105, 111, 131, 83, 80, 1, 2,  
D26/3, 4, 5, 26, 89, 123, 125, 128, 63, 62,  
D26/64, 65, 41, 69, 139, 152, 150, 151, 141,  
D26/143, 144, 51, 140; 362/269, 648, 238,  
362/111, 105, 86, 373, 294, 362, 297, 346,  
362/341, 356, 352, 433, 404, 235, 240, 249.01-249.11,  
362/321, 287, 374, 427, 190, 281, 324, 272,  
362/244, 555, 147, 348, 263, 350; D10/11,  
D10/114.1; D22/108; 42/146, 117, 114,  
42/115, 116, 142, 1.01; 439/110; 403/92,  
403/97; 285/69, 78, 65; 257/89; D16/221;  
D13/110, 133, 134, 179, 180, 182; 160/332;  
D11/90, 89, 121, 125, 131; D25/119, 124,  
D25/125, 138; D23/386; D8/373, 354, 349,  
D8/389, 382, 363, 356, 377

See application file for complete search history.

(56) **References Cited**

**U.S. PATENT DOCUMENTS**

D158,200 S \* 4/1950 Kliegl ..... D26/65  
D217,096 S \* 4/1970 Birns ..... D26/63

4,061,912 A \* 12/1977 Levasseur ..... 362/287  
D247,689 S \* 4/1978 LeVasseur ..... D26/63  
D257,743 S \* 12/1980 Tedesco ..... D26/104  
D279,928 S \* 7/1985 McNabb et al. .... D26/63  
4,554,621 A \* 11/1985 Corrigan ..... 362/382  
D316,156 S \* 4/1991 Gecchelin ..... D26/63  
D316,304 S \* 4/1991 Court ..... D26/63  
D322,488 S \* 12/1991 Lindsay et al. .... D26/45  
D335,193 S \* 4/1993 Shaanan et al. .... D26/63  
5,345,371 A \* 9/1994 Cunningham et al. .... 362/297  
D359,574 S \* 6/1995 Bornhorst et al. .... D26/65  
5,440,462 A \* 8/1995 Kim et al. .... 362/105  
D372,550 S \* 8/1996 Stultz ..... D26/63  
5,882,107 A \* 3/1999 Bornhorst et al. .... 362/281  
D417,300 S \* 11/1999 Stacy et al. .... D26/63  
D439,356 S \* 3/2001 Martinson et al. .... D26/63  
D442,717 S \* 5/2001 Binsukor ..... D26/63  
D443,707 S \* 6/2001 Poon ..... D26/41  
D457,673 S \* 5/2002 Martinson et al. .... D26/63  
D486,259 S \* 2/2004 Crawford et al. .... D26/51  
6,695,452 B2 \* 2/2004 Panasewicz et al. .... 353/119  
6,744,693 B2 \* 6/2004 Brockmann et al. .... 362/321  
D496,744 S \* 9/2004 Smith et al. .... D26/63  
6,902,302 B2 \* 6/2005 Foster ..... 362/324

(Continued)

*Primary Examiner* — Kevin Rudzinski

(74) *Attorney, Agent, or Firm* — Leason Ellis LLP

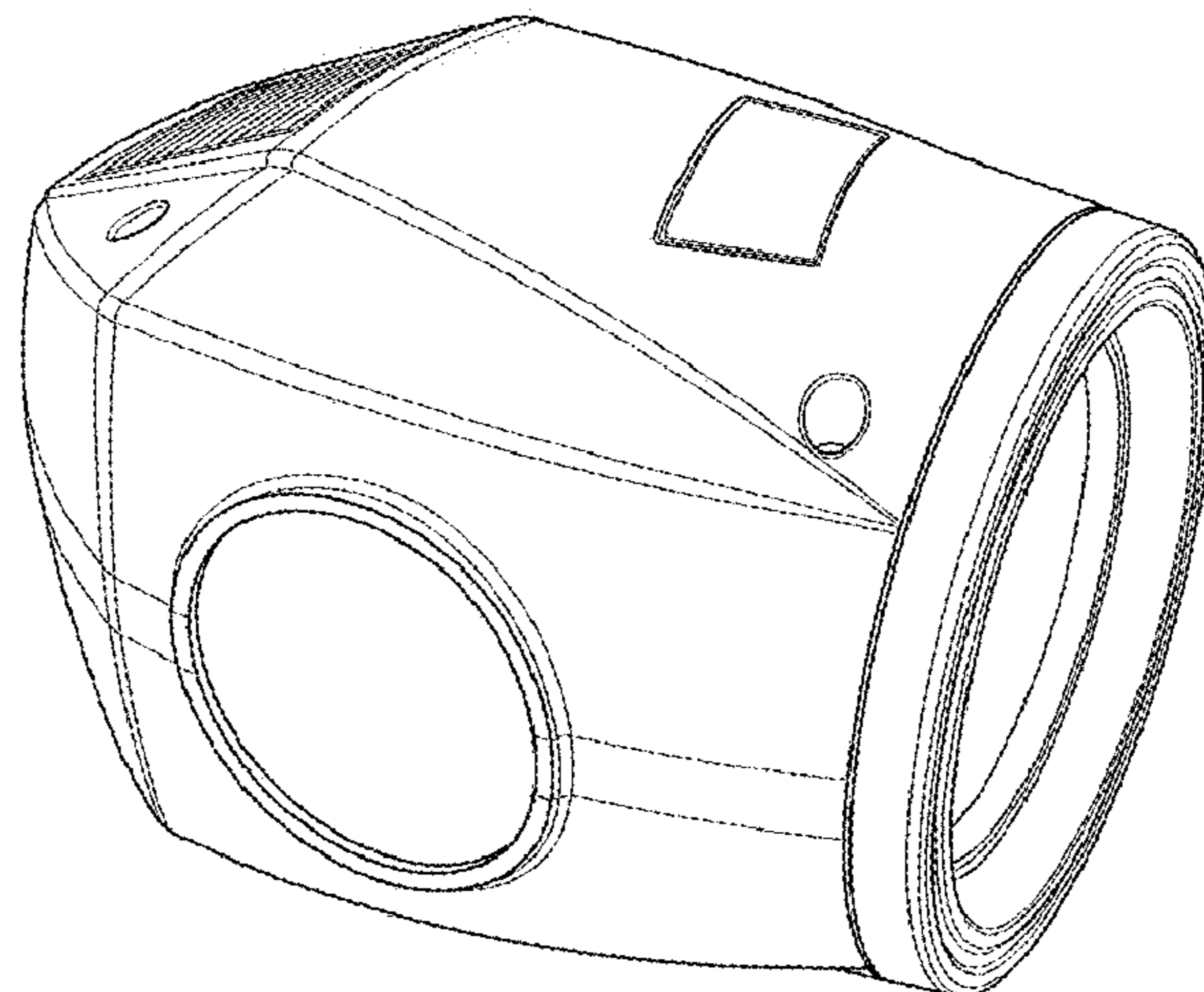
(57) **CLAIM**

The ornamental design for a light projector, as shown and described.

**DESCRIPTION**

FIG. 1 is a front and side perspective view of a light projector showing my new design;  
FIG. 2 is a front elevation view thereof;  
FIG. 3 is a rear elevation view thereof;  
FIG. 4 is a left side view thereof;  
FIG. 5 is a right side view thereof;  
FIG. 6 is a top plan view thereof; and,  
FIG. 7 is a bottom plan view thereof.

**1 Claim, 7 Drawing Sheets**



# US D652,983 S

Page 2

## U.S. PATENT DOCUMENTS

6,964,503	B2 *	11/2005	Smith et al. ....	362/371	D618,377	S *	6/2010	Toft .....	D26/93
D537,549	S *	2/2007	Bleicher .....	D26/24	D620,187	S *	7/2010	Quadri .....	D26/113
D547,895	S *	7/2007	Yifei .....	D26/63	7,789,525	B2 *	9/2010	Vinther .....	362/190
D551,374	S *	9/2007	Korpi .....	D26/63	D634,871	S *	3/2011	WooH .....	D26/63
D552,782	S *	10/2007	Korpi .....	D26/63	D639,983	S *	6/2011	Quadri .....	D26/24
D564,119	S *	3/2008	Metlen .....	D26/63	7,972,054	B2 *	7/2011	Alexander et al. ....	362/652
D573,285	S *	7/2008	Zettl .....	D26/63	7,985,005	B2 *	7/2011	Alexander et al. ....	362/294
D575,891	S *	8/2008	Calleja .....	D26/63	2004/0070984	A1 *	4/2004	Smith et al. ....	362/427
D585,588	S *	1/2009	Alexander et al. ....	D26/118	2004/0095761	A1 *	5/2004	Esakoff .....	362/226
D587,832	S *	3/2009	Bergmann et al. ....	D26/63	2008/0062692	A1 *	3/2008	Andersen et al. ....	362/275
D605,339	S *	12/2009	Quadri .....	D26/118	2009/0154165	A1 *	6/2009	Salm et al. ....	362/272
D606,690	S *	12/2009	Orrom et al. ....	D26/61	2010/0157604	A1 *	6/2010	Quadri et al. ....	362/293
D612,532	S *	3/2010	Toft .....	D26/138	2010/0246184	A1 *	9/2010	Quadri et al. ....	362/282
7,703,953	B2 *	4/2010	Muller .....	362/398					

\* cited by examiner

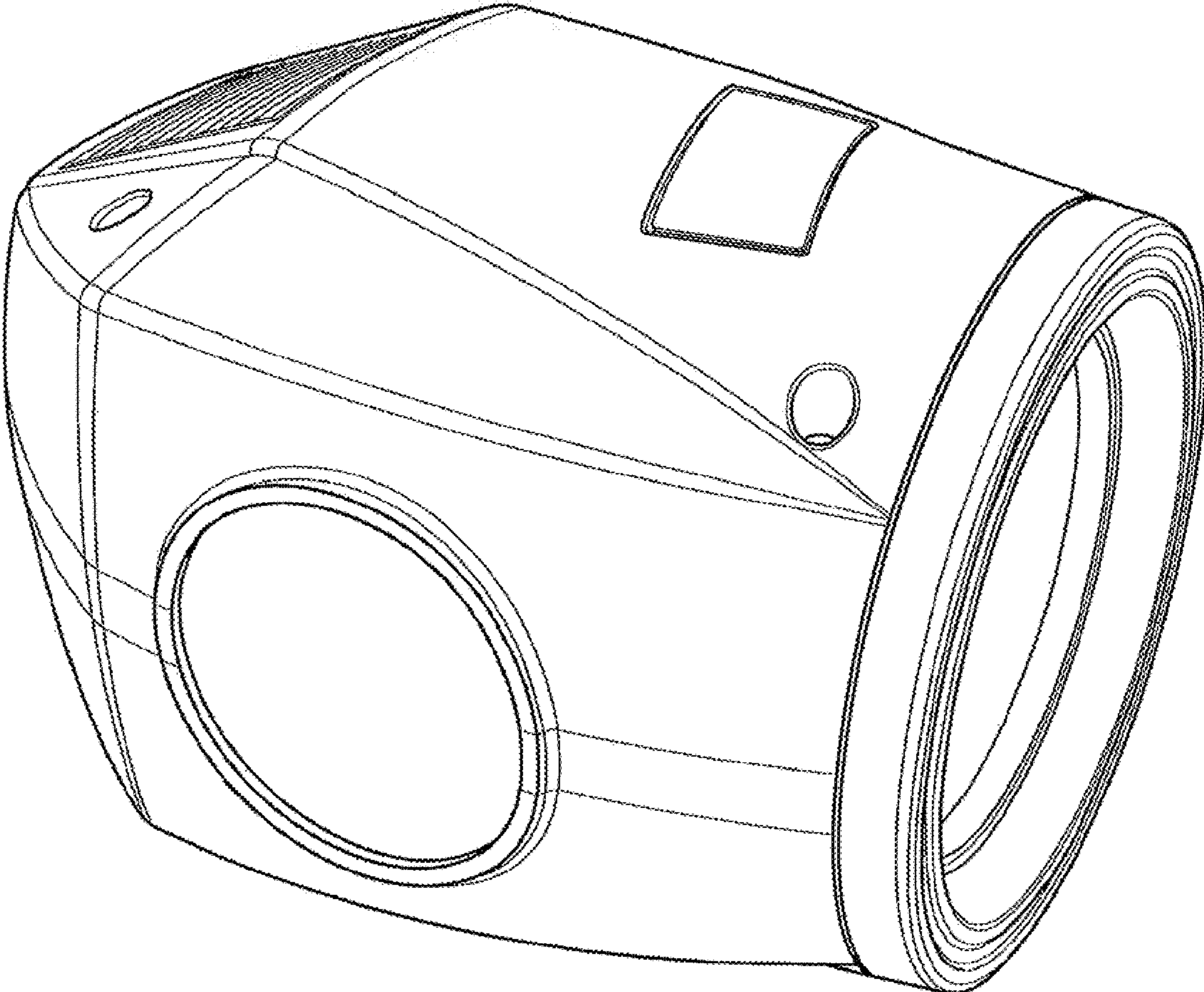


Figure 1

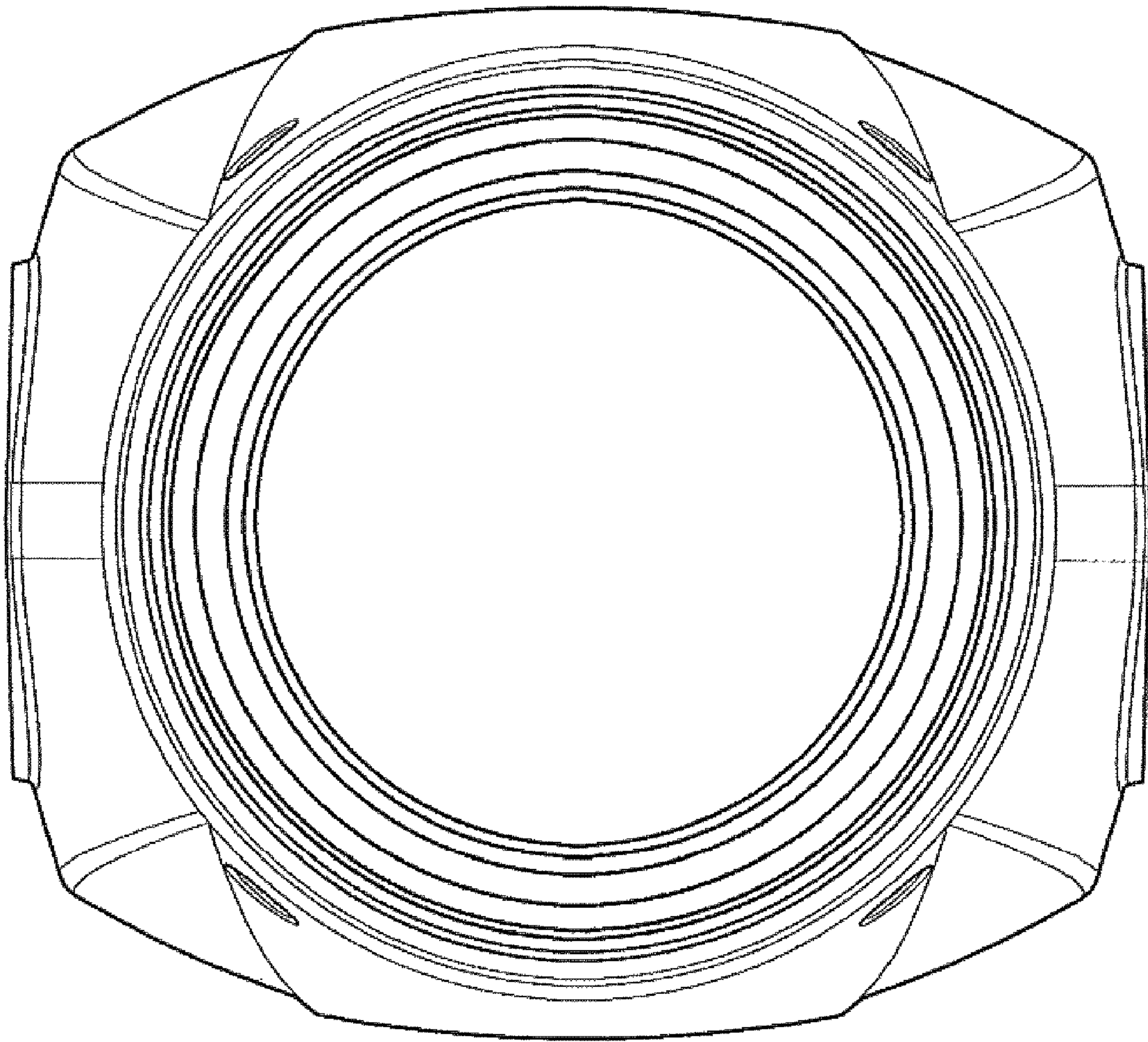


Figure 2

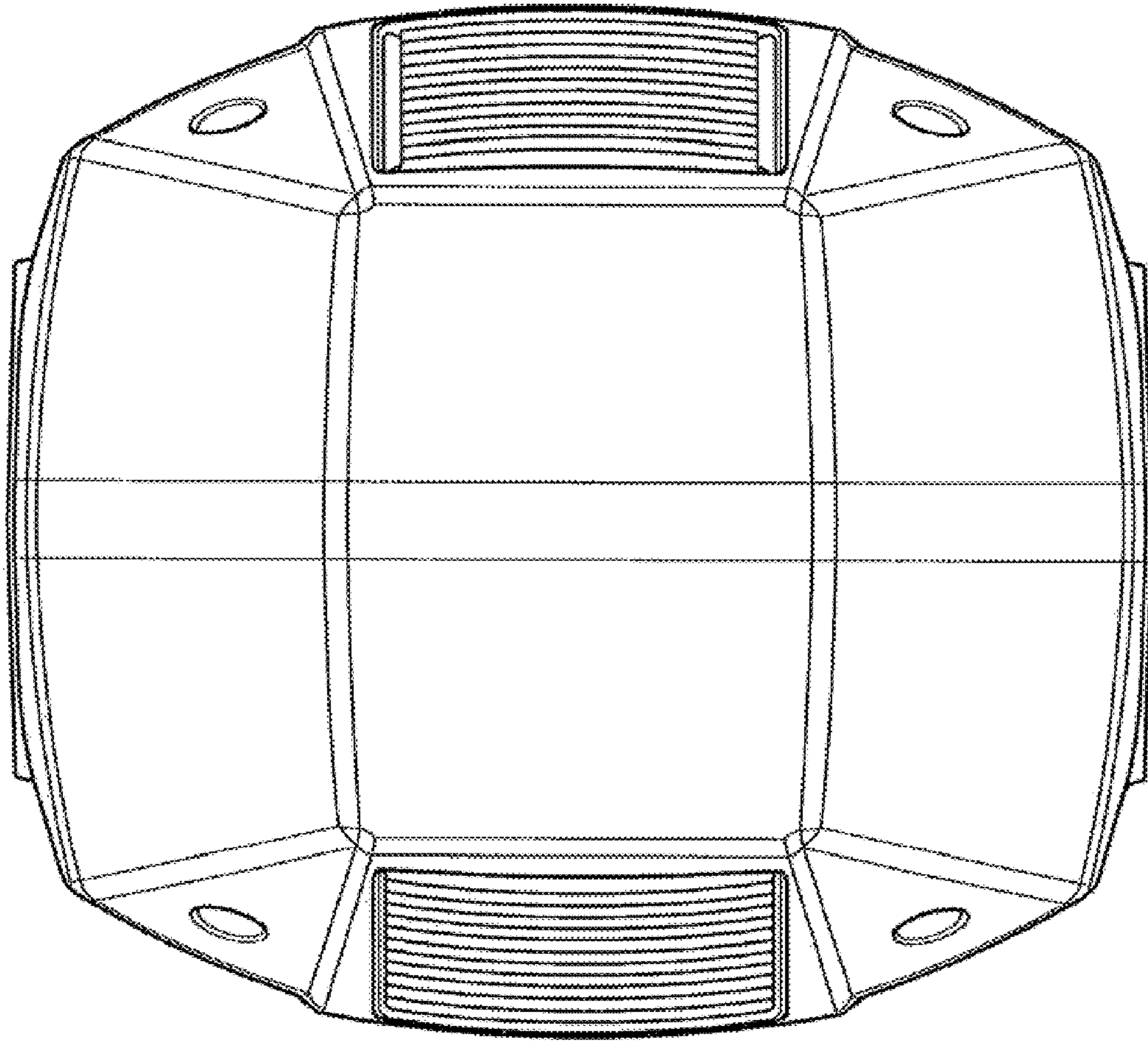


Figure 3

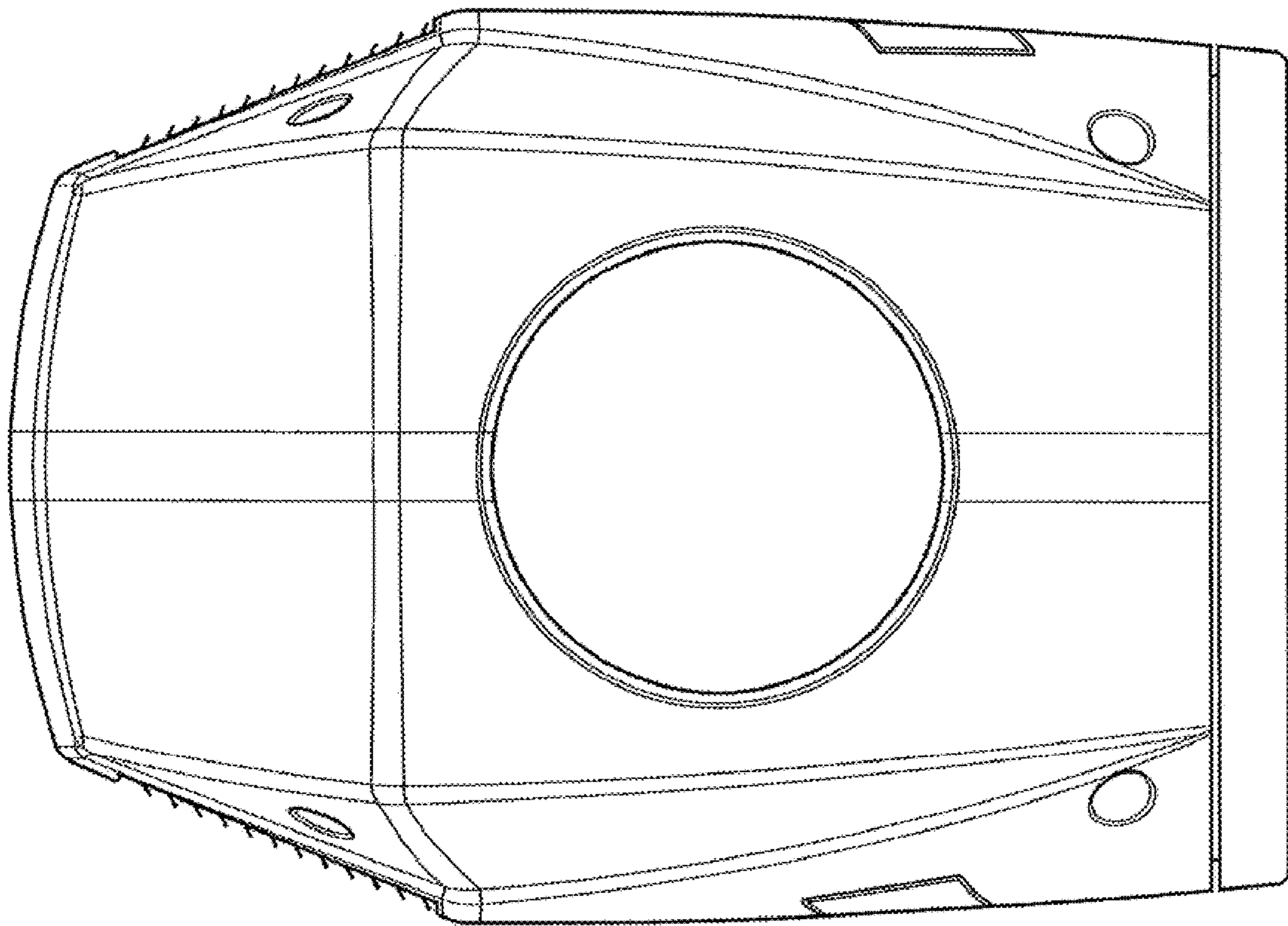


Figure 4

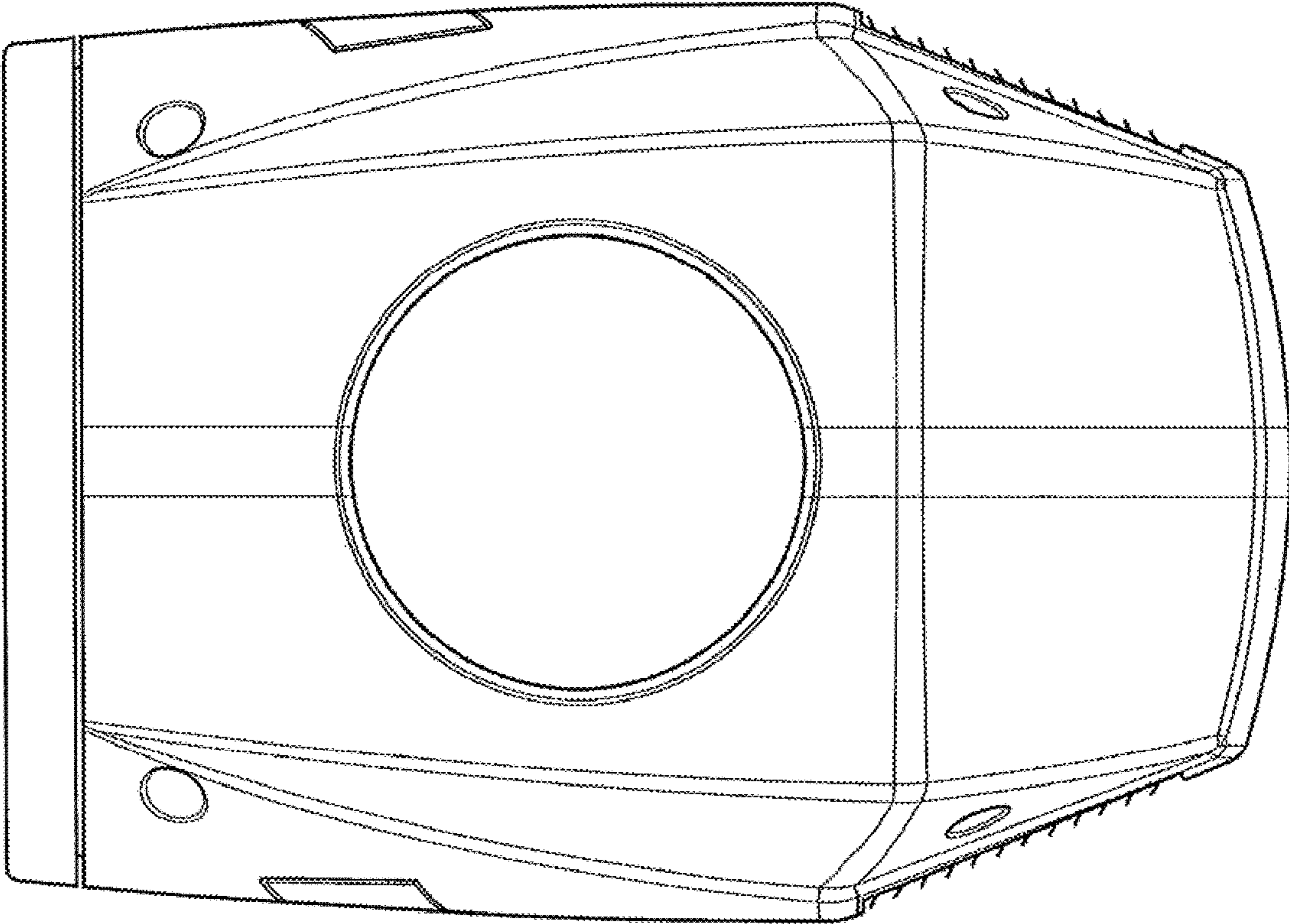


Figure 5

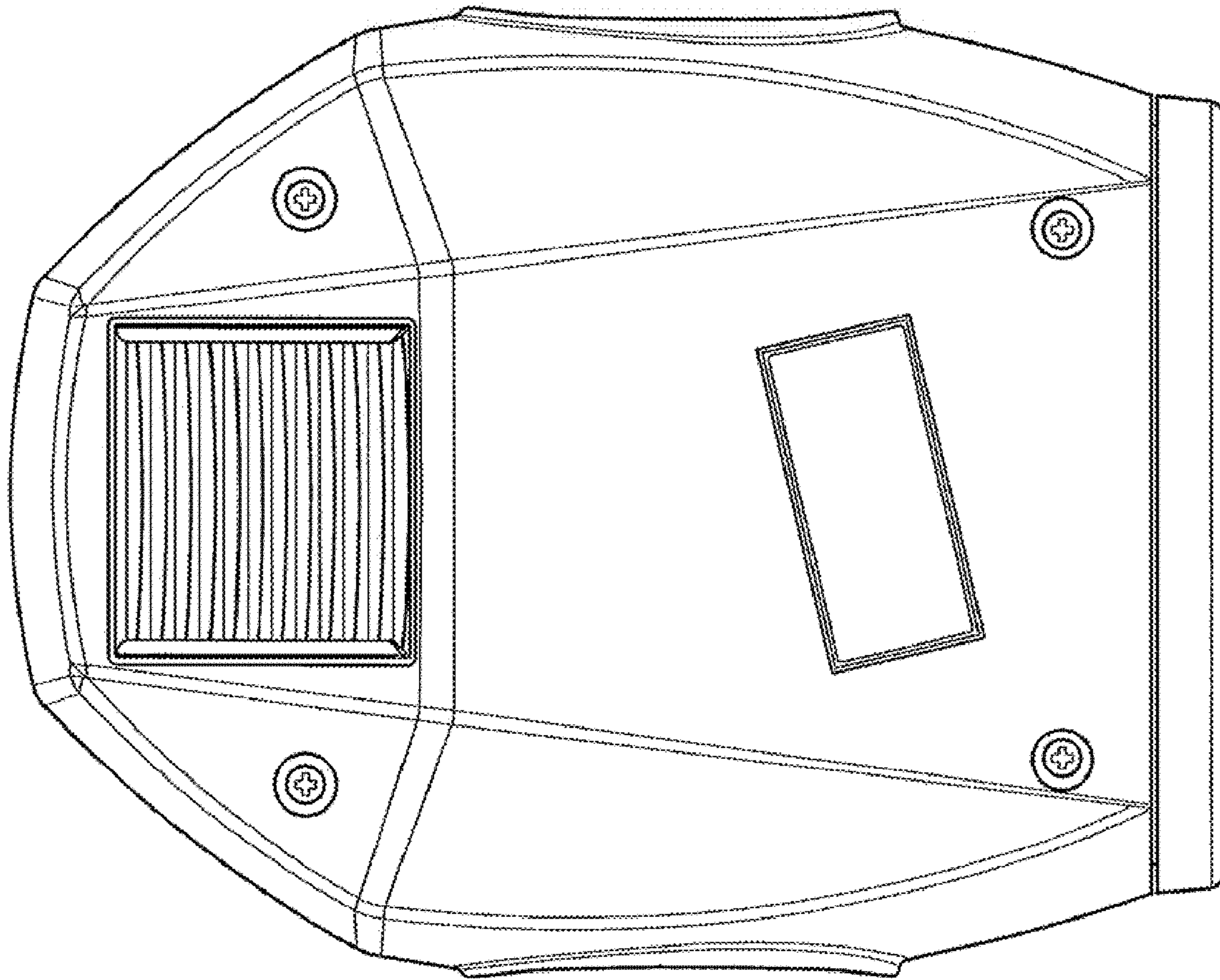


Figure 6



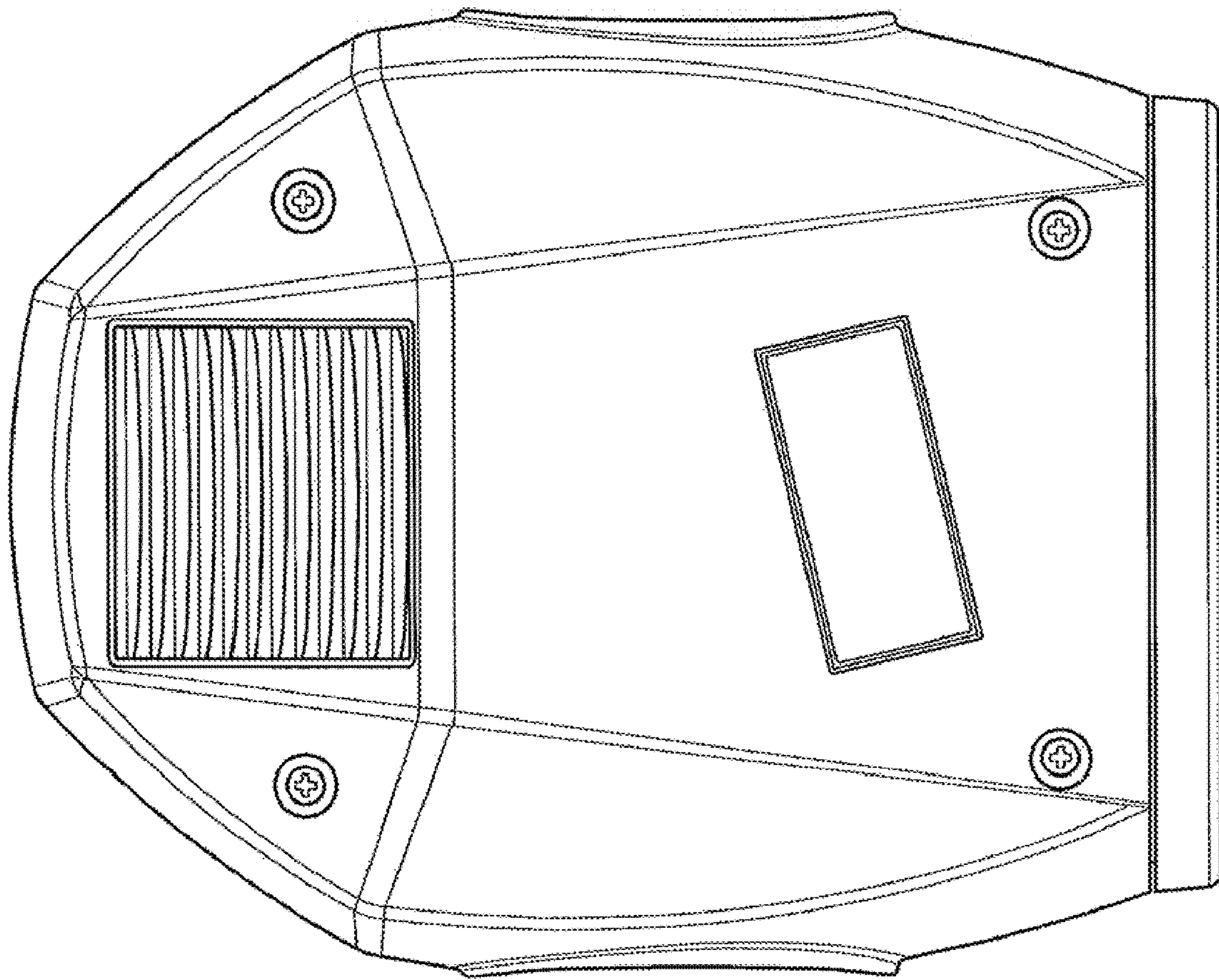


Figure 7