



US00D652979S

(12) **United States Design Patent**
Laukhuf et al.

(10) **Patent No.:** **US D652,979 S**

(45) **Date of Patent:** **** Jan. 24, 2012**

(54) **FLUORESCENT LAMPHOLDER**

(75) Inventors: **Gregg E. Laukhuf**, Bryan, OH (US);
Shanguo Wu, Ruian Zehjiang (CN)

(73) Assignee: **Allied Moulded Products, Inc.**, Bryan,
OH (US)

(**) Term: **14 Years**

(21) Appl. No.: **29/359,132**

(22) Filed: **Apr. 6, 2010**

(51) **LOC (9) Cl.** **26-03**

(52) **U.S. Cl.** **D26/79**

(58) **Field of Classification Search** D26/24,
D26/1, 2, 25, 26, 37, 72, 73, 74, 77, 93, 104,
D26/113, 118, 75, 76, 78, 79; D13/180,
D13/182; 362/555, 563, 576, 145, 147, 148,
362/153, 157, 186, 290, 294, 317, 335, 351,
362/364, 373, 800, 805, 806, 260

See application file for complete search history.

(56) **References Cited**

U.S. PATENT DOCUMENTS

2,145,787	A	1/1939	Reamer	
2,163,902	A	6/1939	Wertzheiser	
2,298,824	A	10/1942	Darley	
2,449,394	A	9/1948	Kulka	
2,511,155	A	6/1950	Gaynor	
D177,294	S	3/1956	Willis	
3,511,179	A	5/1970	Breunig	
4,460,944	A	7/1984	Gordbegli et al.	
4,974,131	A	11/1990	Paradiso	
D348,249	S	6/1994	Hester	
D353,910	S	12/1994	Hayman et al.	
D397,233	S *	8/1998	Bassford	D26/67
D403,100	S	12/1998	Bartasevich et al.	
5,842,780	A	12/1998	Causby et al.	
D442,323	S *	5/2001	McBride	D26/113
D443,713	S *	6/2001	Benensohn	D26/72
D448,096	S	9/2001	Choi	
6,447,145	B1 *	9/2002	Thomas et al.	362/267
D476,769	S *	7/2003	Pilkington	D26/72

D480,498	S *	10/2003	McBride	D26/113
D491,890	S	6/2004	Henrici et al.	
D544,979	S *	6/2007	Hartmann et al.	D26/74
D561,374	S *	2/2008	Hartmann et al.	D26/74

(Continued)

Primary Examiner — Angela J Lee

(74) *Attorney, Agent, or Firm* — Fraser Clemens Martin &
Miller LLC; J. Douglas Miller

(57) **CLAIM**

The ornamental design for a fluorescent lampholder, as
shown and described.

DESCRIPTION

FIG. 1 is a top perspective view of a fluorescent lampholder
incorporating our new design;

FIG. 2 is an exploded top perspective view of the fluorescent
lampholder illustrated in FIG. 1, showing a lens portion and a
base portion thereof;

FIG. 3 is a top plan view of the fluorescent lampholder illus-
trated in FIG. 1, showing the lens portion and the base portion
thereof separated;

FIG. 4 is a bottom plan view of the fluorescent lampholder
illustrated in FIG. 1, showing the lens portion and the base
portion thereof;

FIG. 5 is a front elevational view of the fluorescent
lampholder illustrated in FIG. 1;

FIG. 6 is a rear elevational view thereof;

FIG. 7 is a right side elevational view thereof;

FIG. 8 is a left side elevational view thereof;

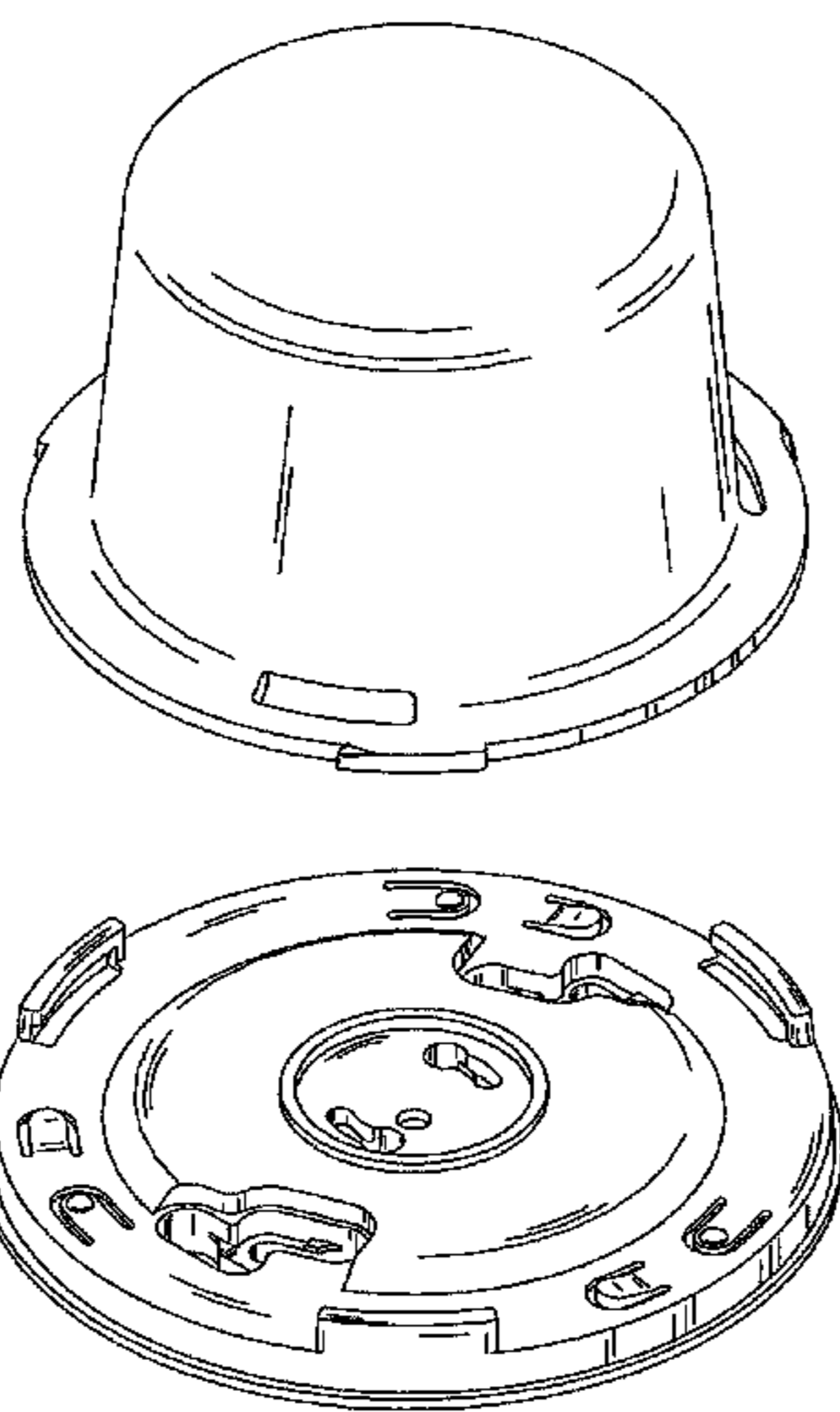
FIG. 9 is a front elevational view of the fluorescent lam-
pholder illustrated in FIG. 1, showing the lens portion and the
base portion thereof separated;

FIG. 10 is a rear elevational view of the fluorescent lam-
pholder illustrated in FIG. 9;

FIG. 11 is a right side elevational view of the fluorescent
lampholder illustrated in FIG. 9; and,

FIG. 12 is a left side elevational view of the fluorescent
lampholder illustrated in FIG. 9.

1 Claim, 8 Drawing Sheets



US D652,979 S

Page 2

U.S. PATENT DOCUMENTS					
D564,129 S	3/2008	Tufano et al.	D610,280 S *	2/2010	Hua D26/24
D577,458 S *	9/2008	Chan et al. D26/104	2003/0137829 A1	7/2003	Ayers
D577,854 S	9/2008	Tufano et al.	2005/0185396 A1	8/2005	Kutler
D607,600 S *	1/2010	Keith D26/85	2007/0274070 A1*	11/2007	Wedell 362/244
			* cited by examiner		

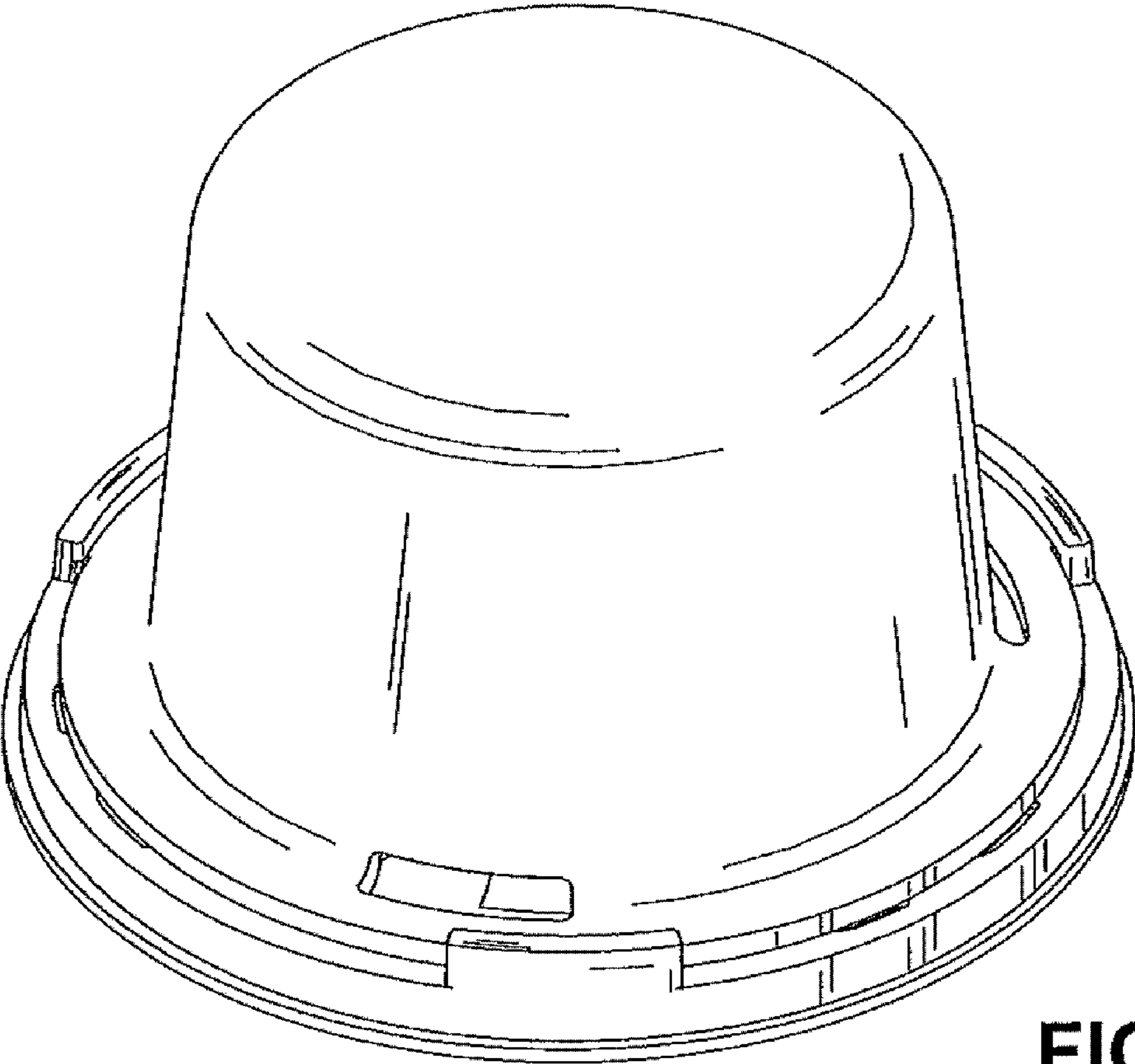


FIG. 1

FIG. 2

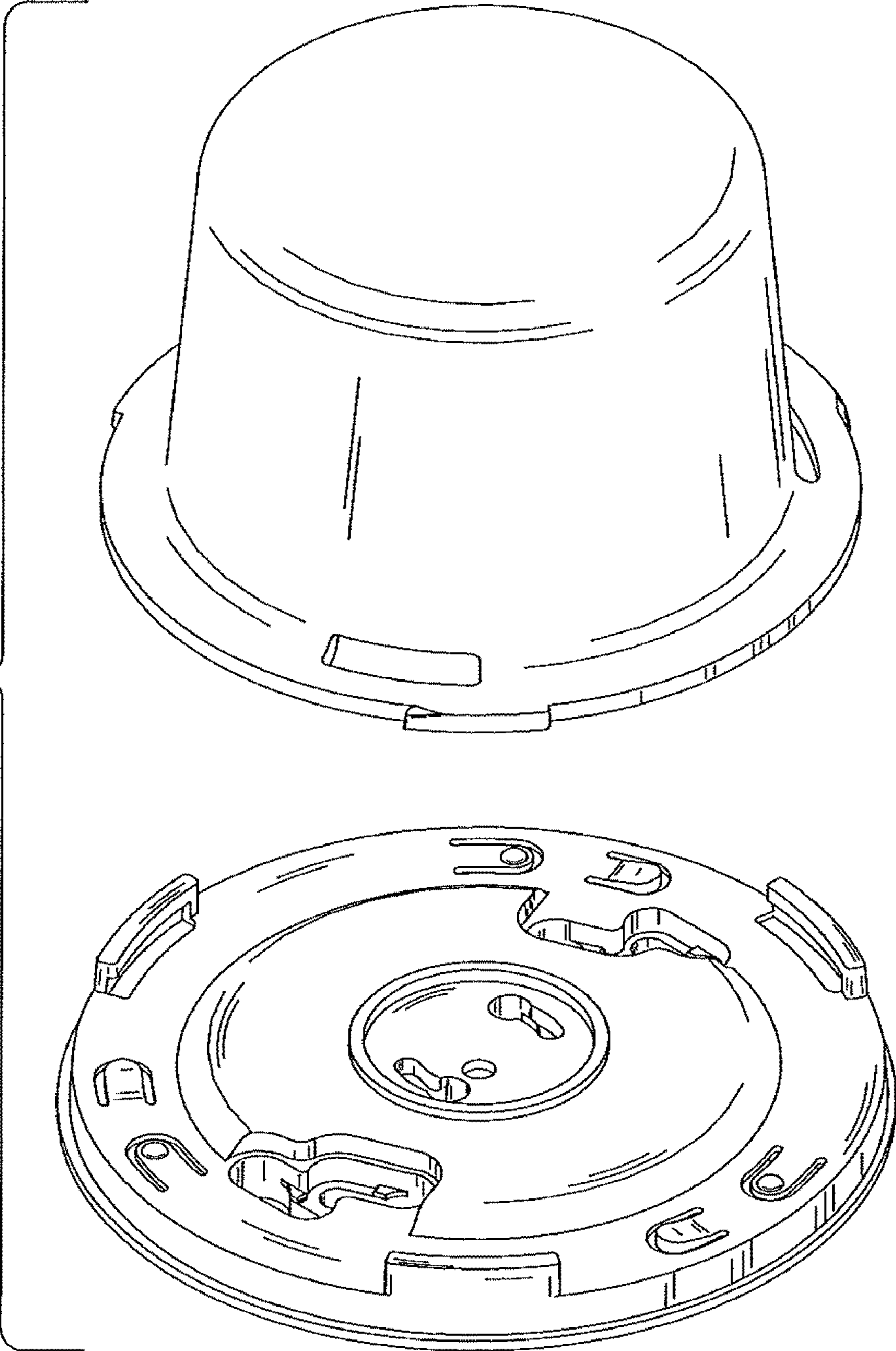


FIG. 3

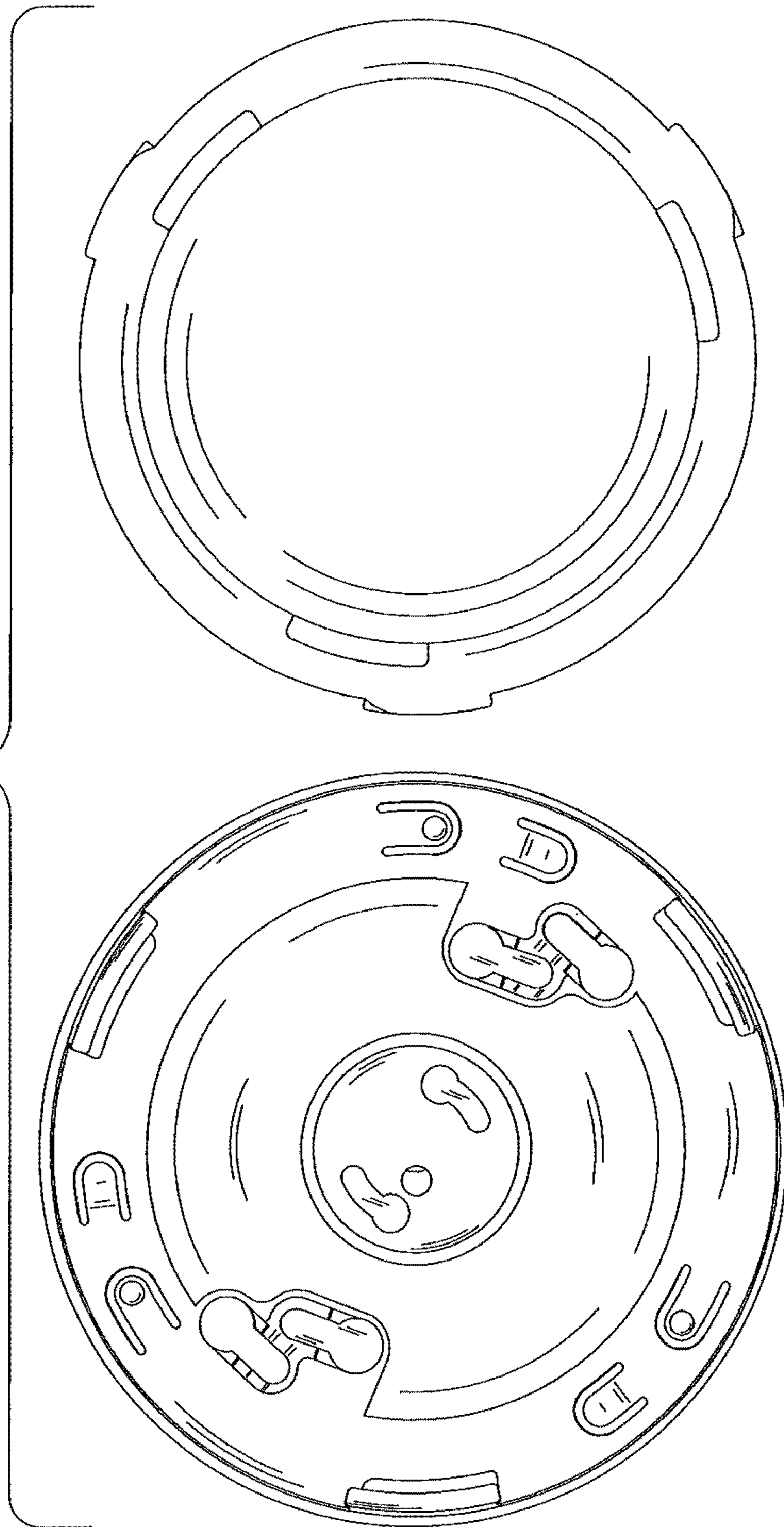
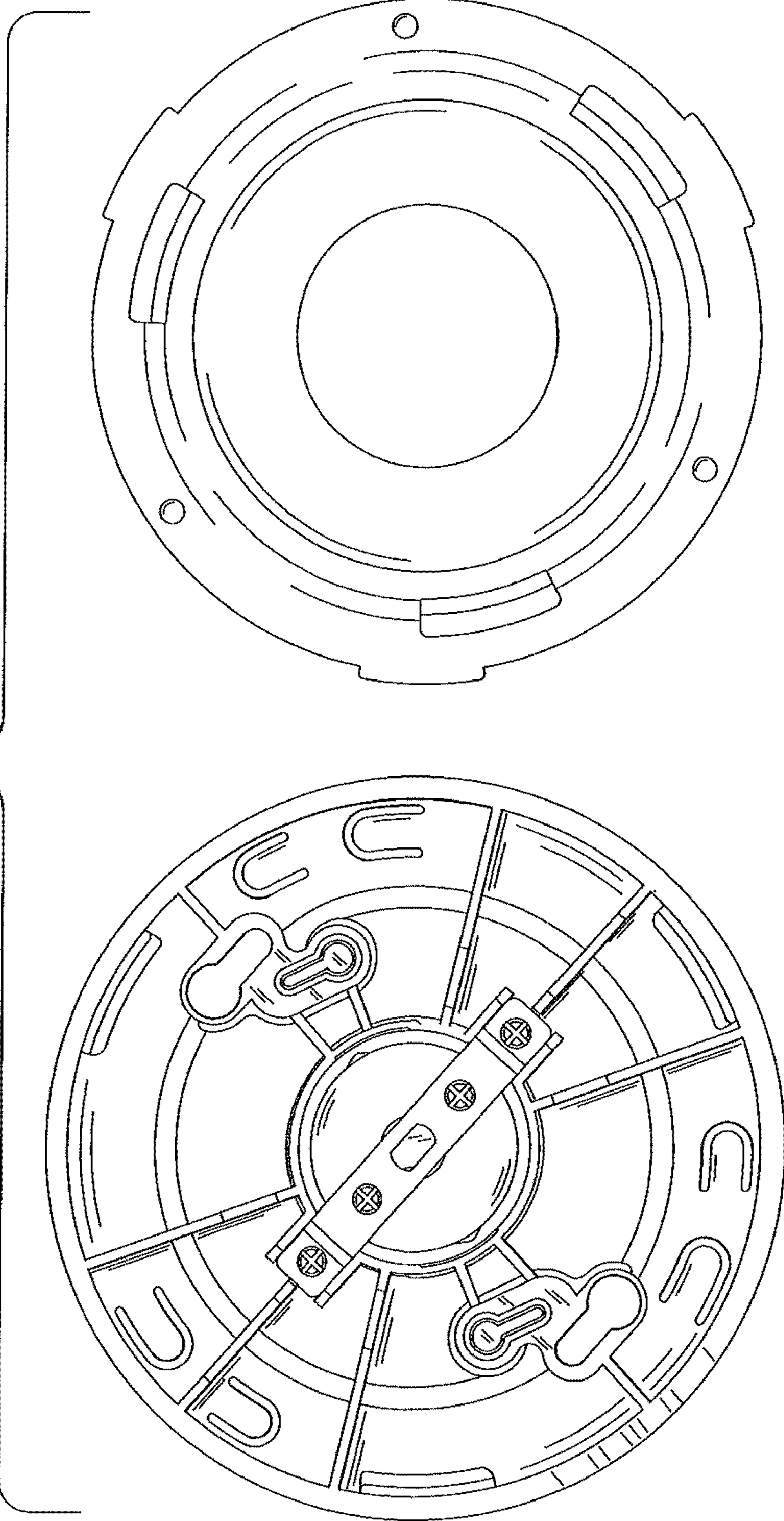


FIG. 4



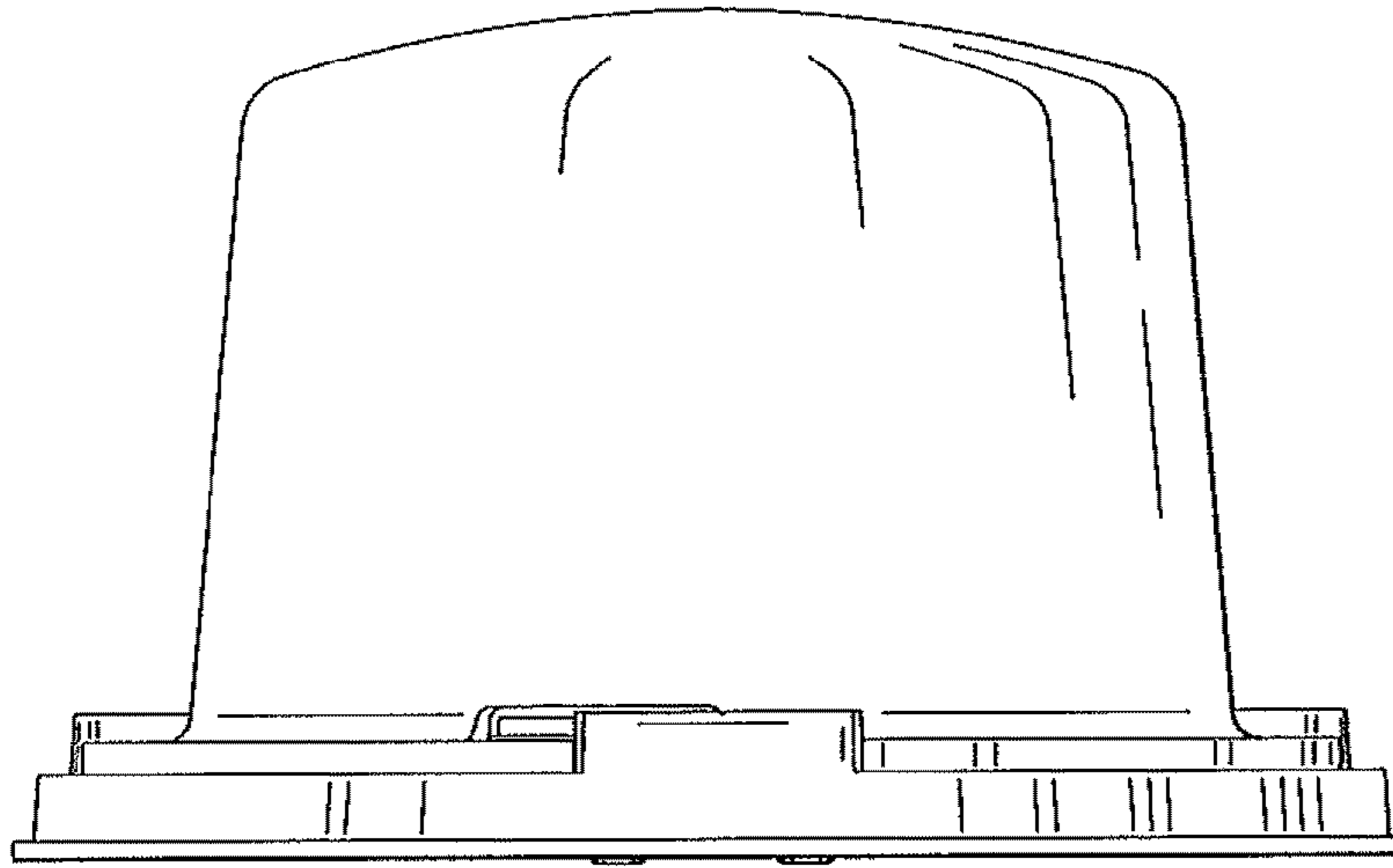


FIG. 5

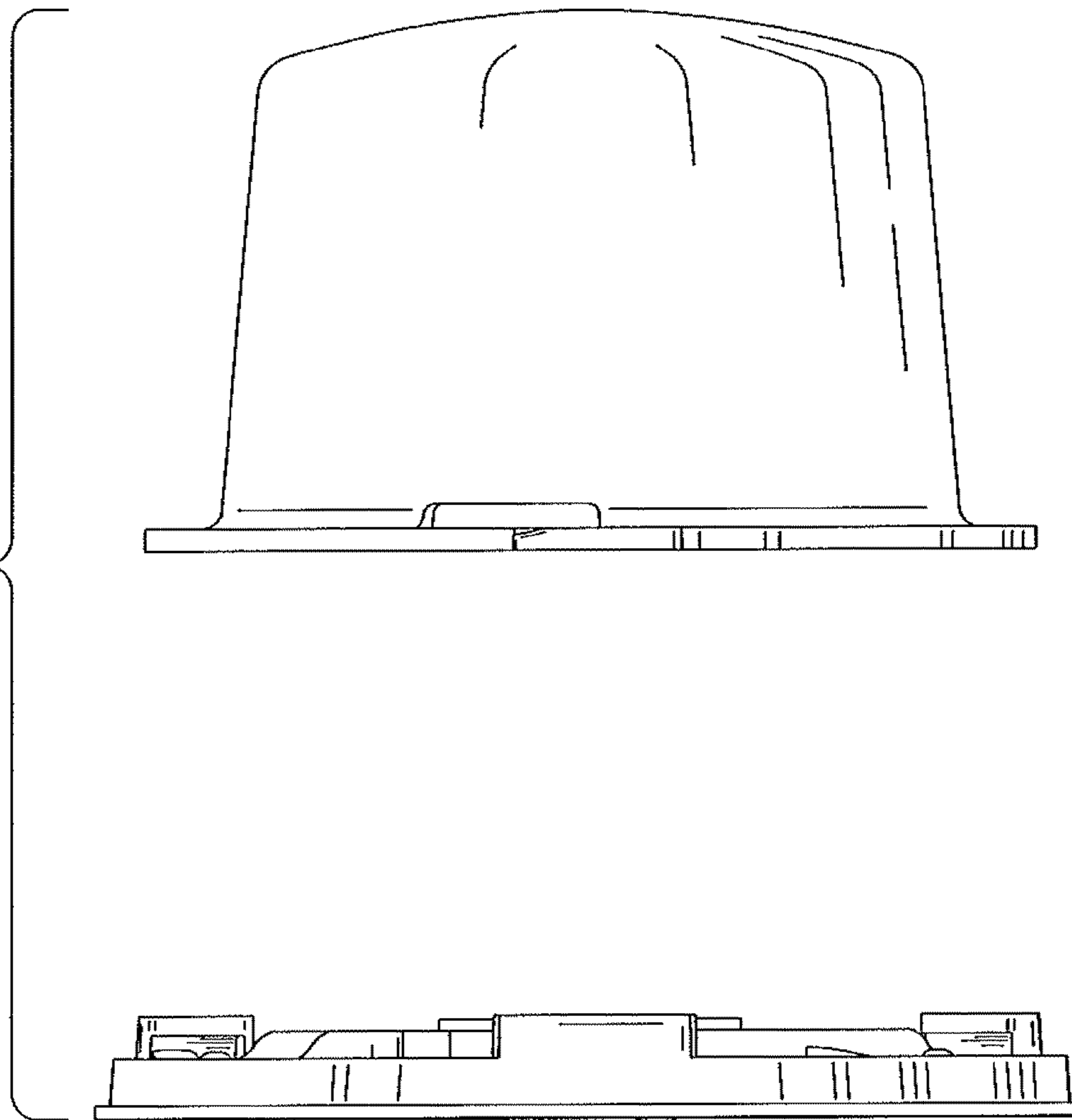


FIG. 9

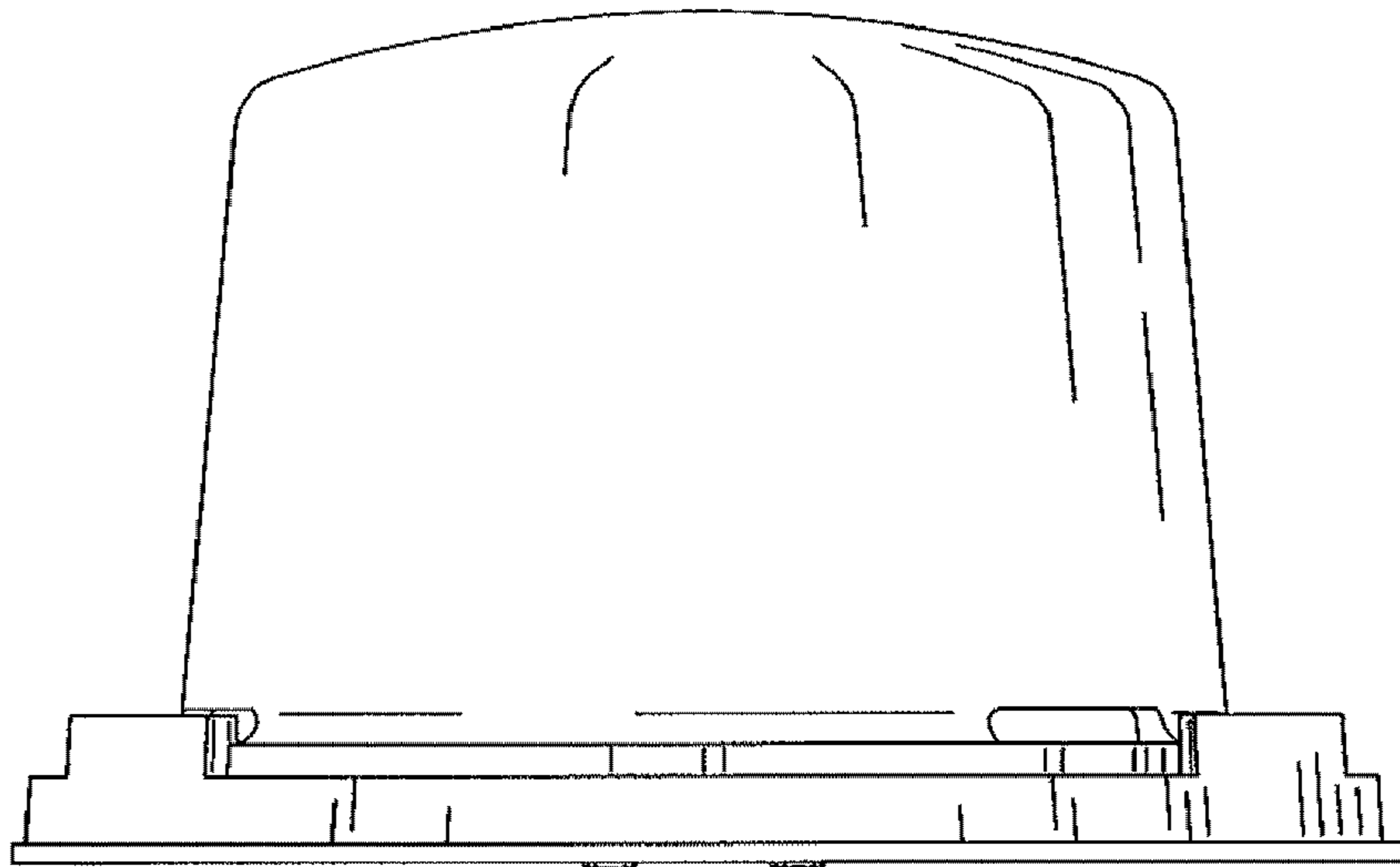


FIG. 6

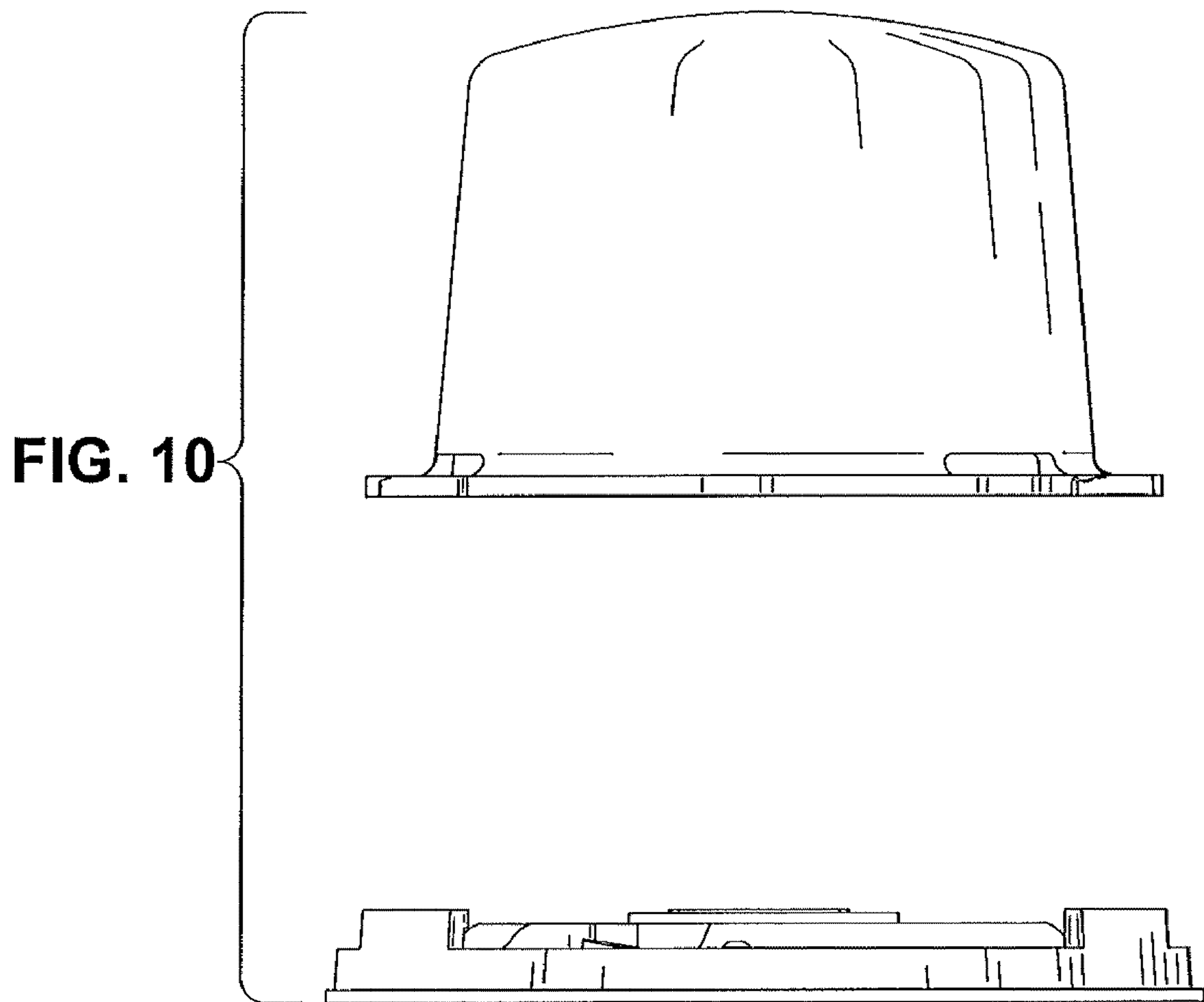


FIG. 10

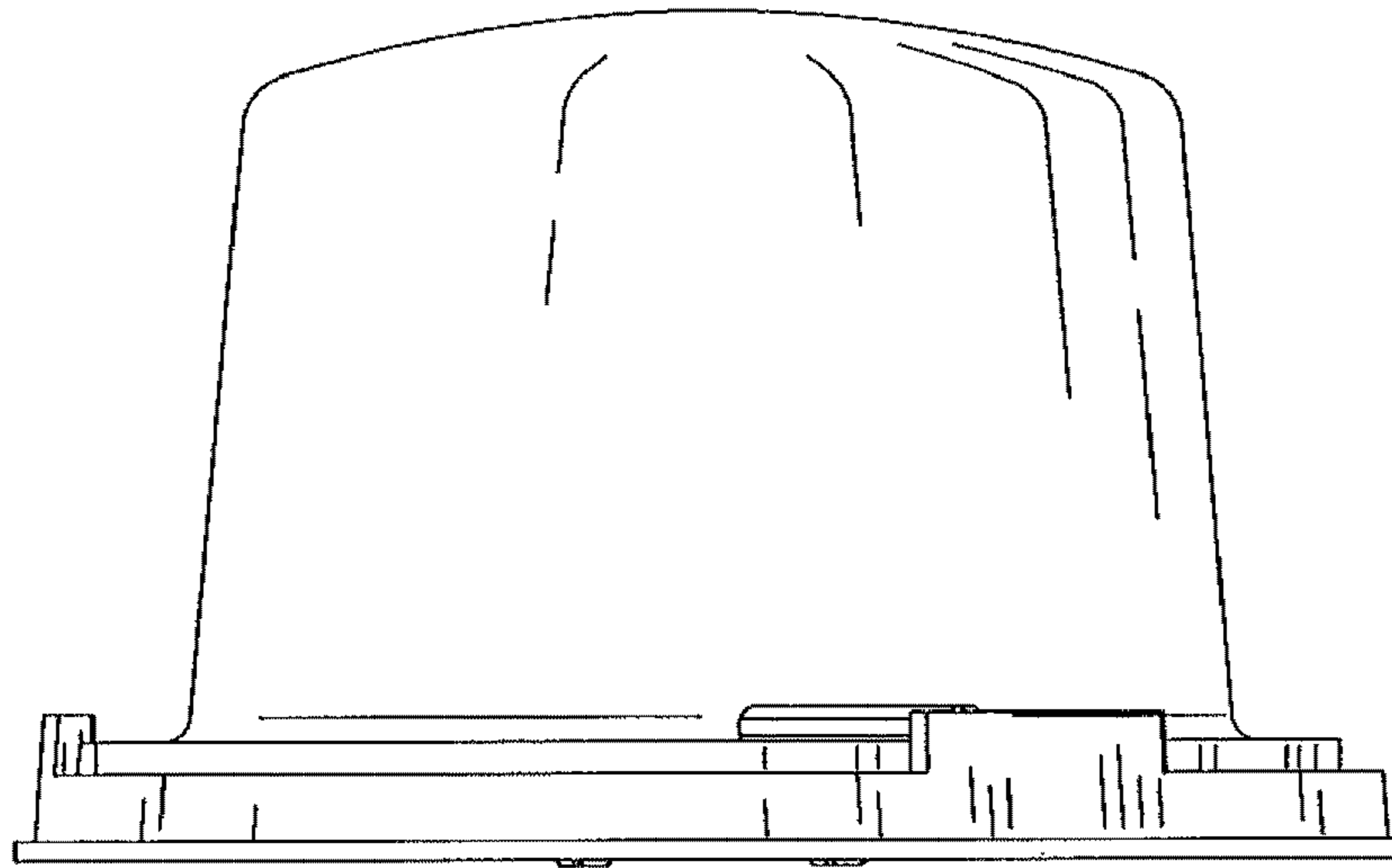


FIG. 7

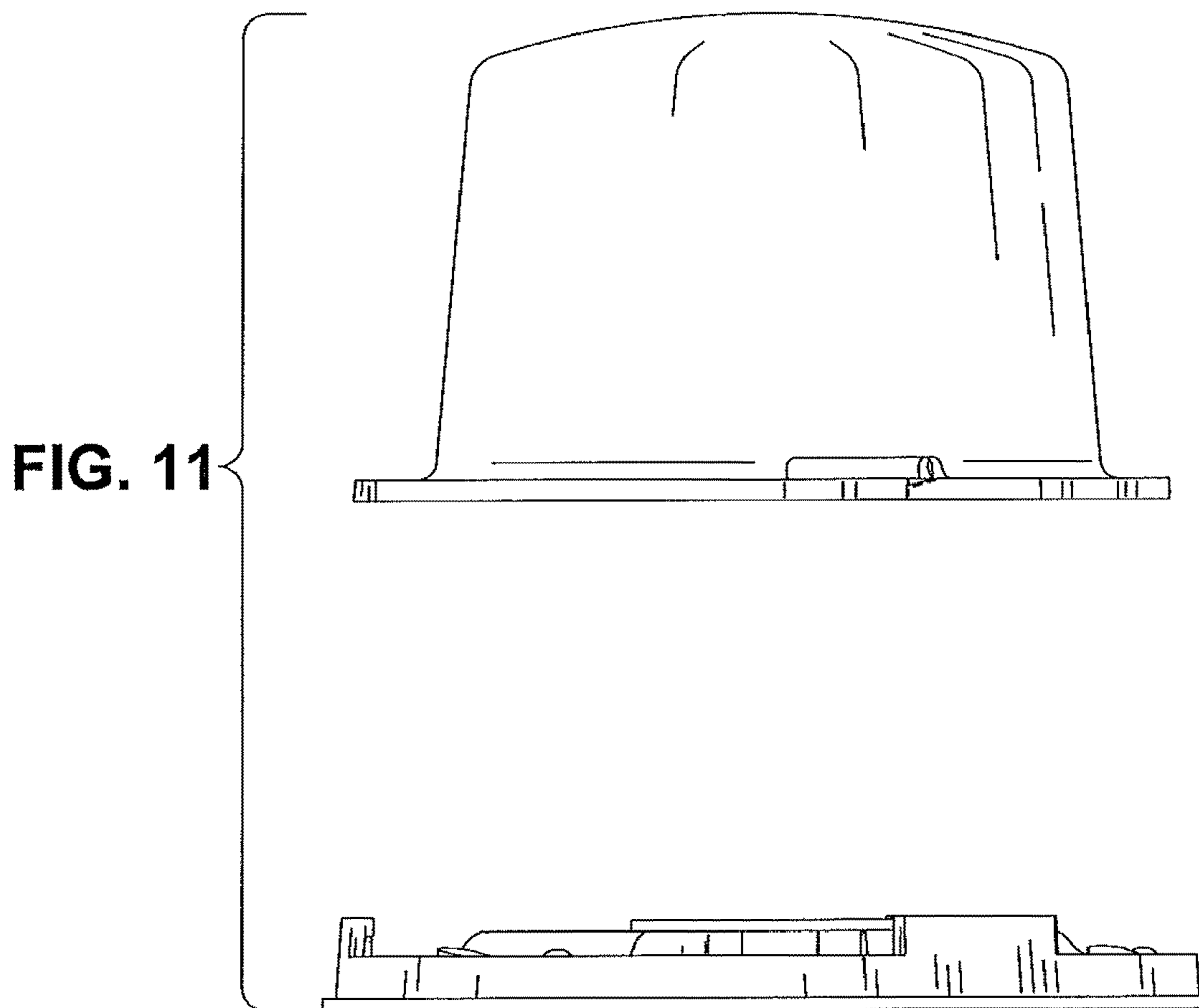


FIG. 11

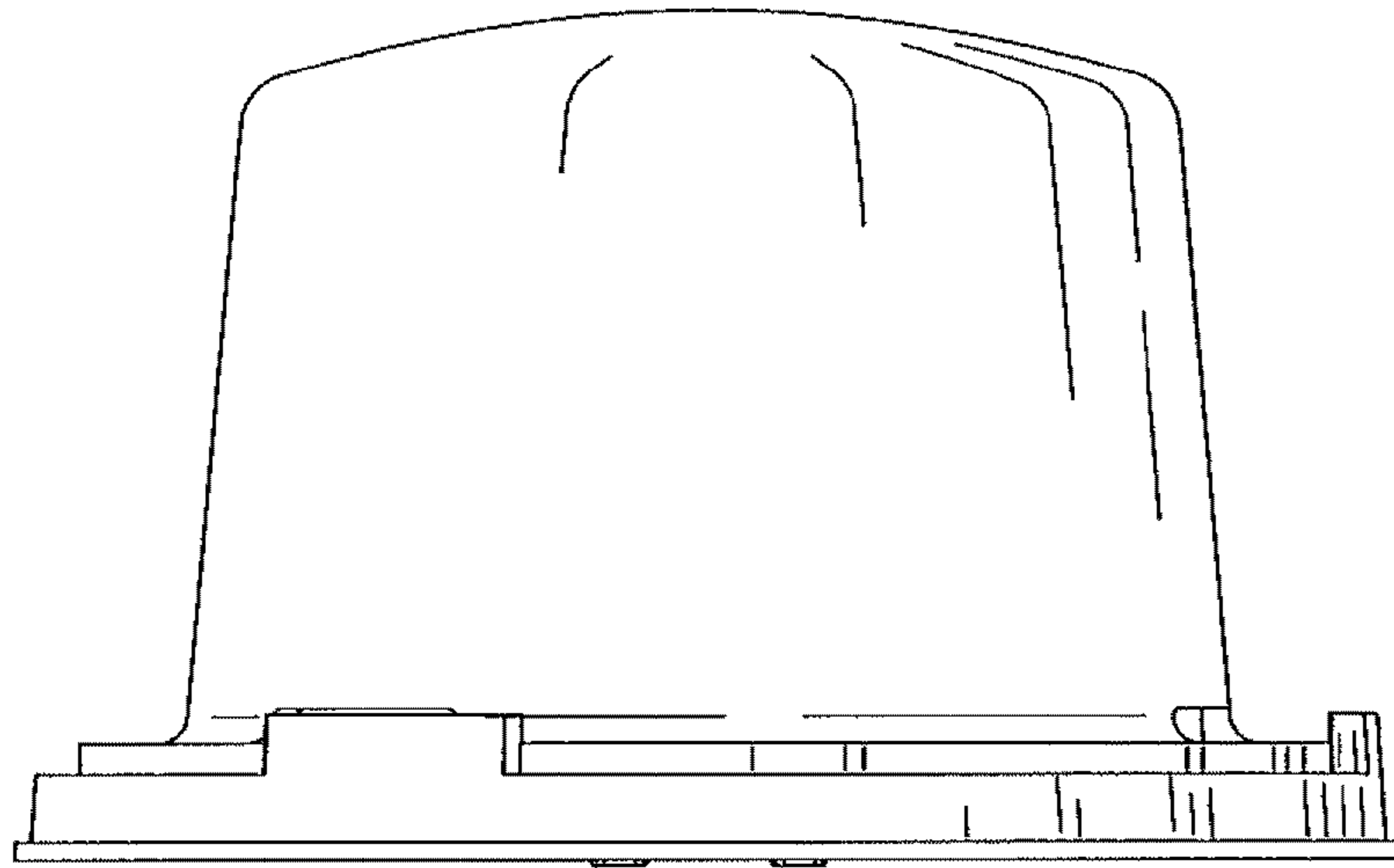


FIG. 8

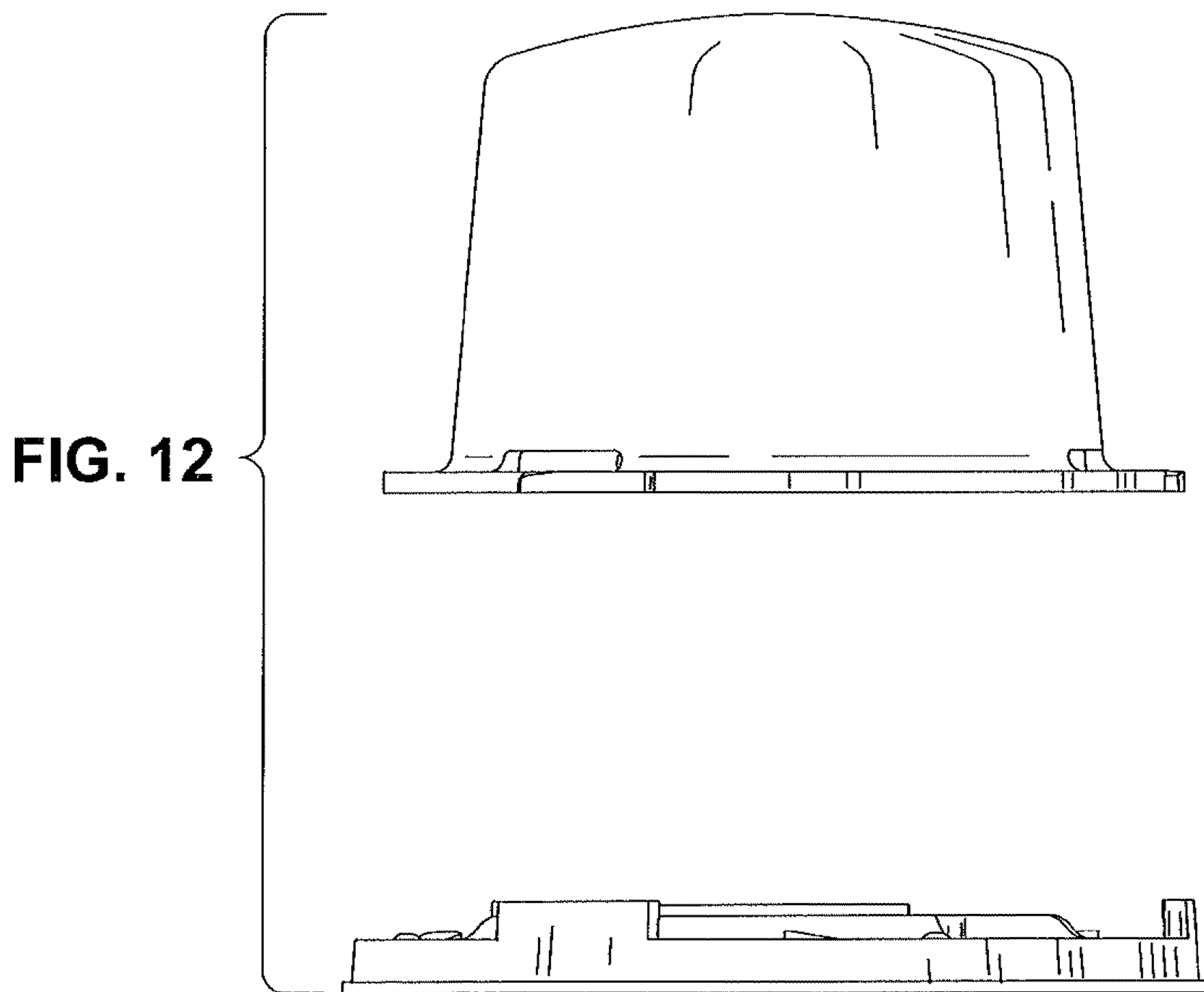


FIG. 12