



US00D652977S

(12) **United States Design Patent**
Soto et al.

(10) **Patent No.:** **US D652,977 S**
(45) **Date of Patent:** **** Jan. 24, 2012**

(54) **LIGHT**

(75) Inventors: **Alvaro Soto**, Oakland Gardens, NY (US); **Alexander Lamis**, New York, NY (US); **Michael A Weber**, Brooklyn, NY (US); **Nathaniel Pearson**, Brooklyn, NY (US)

(73) Assignee: **Landscape Forms, Inc.**, Kalamazoo, MI (US)

(**) Term: **14 Years**

(21) Appl. No.: **29/381,678**

(22) Filed: **Dec. 22, 2010**

(51) **LOC (9) Cl.** **26-05**

(52) **U.S. Cl.** **D26/68**

(58) **Field of Classification Search** D26/67-71, D26/92; 362/147, 152, 310, 431, 432
See application file for complete search history.

(56) **References Cited**

U.S. PATENT DOCUMENTS

D68,616 S *	11/1925	Dill	D26/68
D190,523 S *	6/1961	Garbarini	D25/128
D199,077 S *	9/1964	Turner	D26/67
D199,078 S *	9/1964	Turner	D26/67
D199,802 S *	12/1964	Turner	D26/67
D407,842 S *	4/1999	Landefeld	D26/68
D443,094 S *	5/2001	Landefeld	D26/68
D444,584 S *	7/2001	Landefeld	D26/67
7,059,096 B2 *	6/2006	Kuebler et al.	52/838
D553,779 S *	10/2007	Butler	D26/67
D555,280 S *	11/2007	Quintana-Creus et al.	D26/71

D571,496 S *	6/2008	Lenz	D26/68
D591,886 S *	5/2009	Tortel	D26/67
D592,342 S *	5/2009	Kinnune et al.	D26/67
D592,343 S *	5/2009	Wilcox et al.	D26/67
D595,886 S *	7/2009	Lodhie	D26/71
D597,695 S *	8/2009	Dworschak	D26/68
D597,696 S *	8/2009	Sabernig	D26/68
D597,697 S *	8/2009	Sabernig	D26/68
D599,496 S *	9/2009	Lodhie	D26/67
D599,935 S *	9/2009	van Klinken	D26/67
D601,291 S *	9/2009	Nankil	D26/67
D615,682 S *	5/2010	van Klinken	D26/67
7,841,734 B2 *	11/2010	Wilcox	362/153

* cited by examiner

Primary Examiner — Clare E Heflin

(74) *Attorney, Agent, or Firm* — Heslin Rothenberg Farley & Mesiti P.C.

(57) **CLAIM**

The ornamental design for the light, as shown and described.

DESCRIPTION

This application is related to commonly assigned, concurrently filed U.S. application Ser. No. 29/381,677.

FIG. 1 is an isometric view of the light of the present design;

FIG. 2 is a left side elevation view thereof;

FIG. 3 is a rear elevation view thereof;

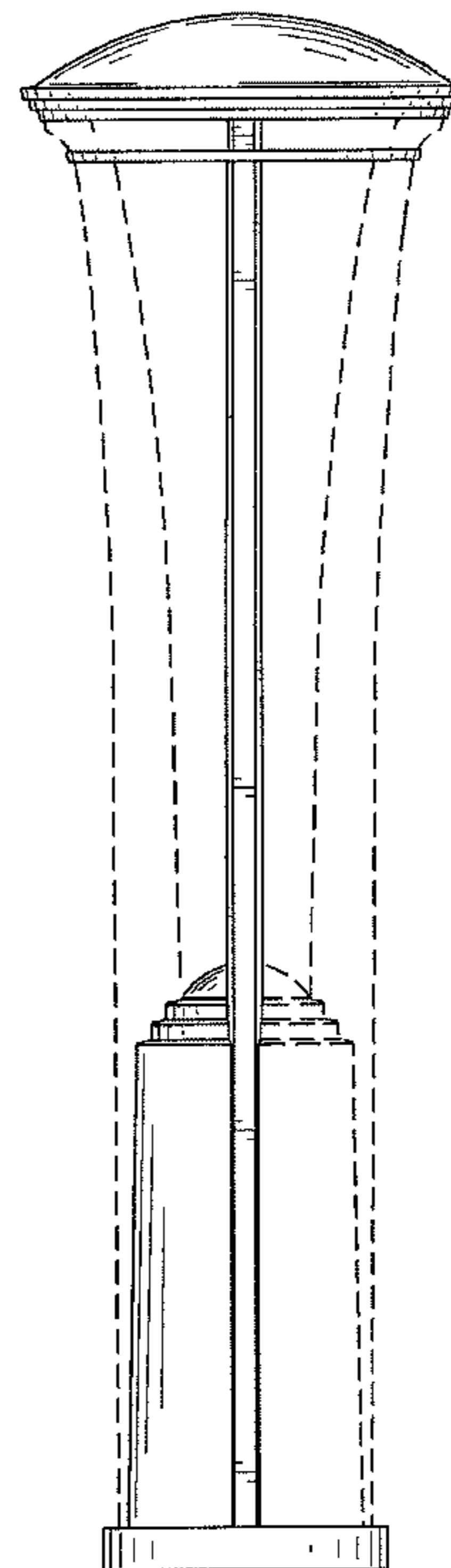
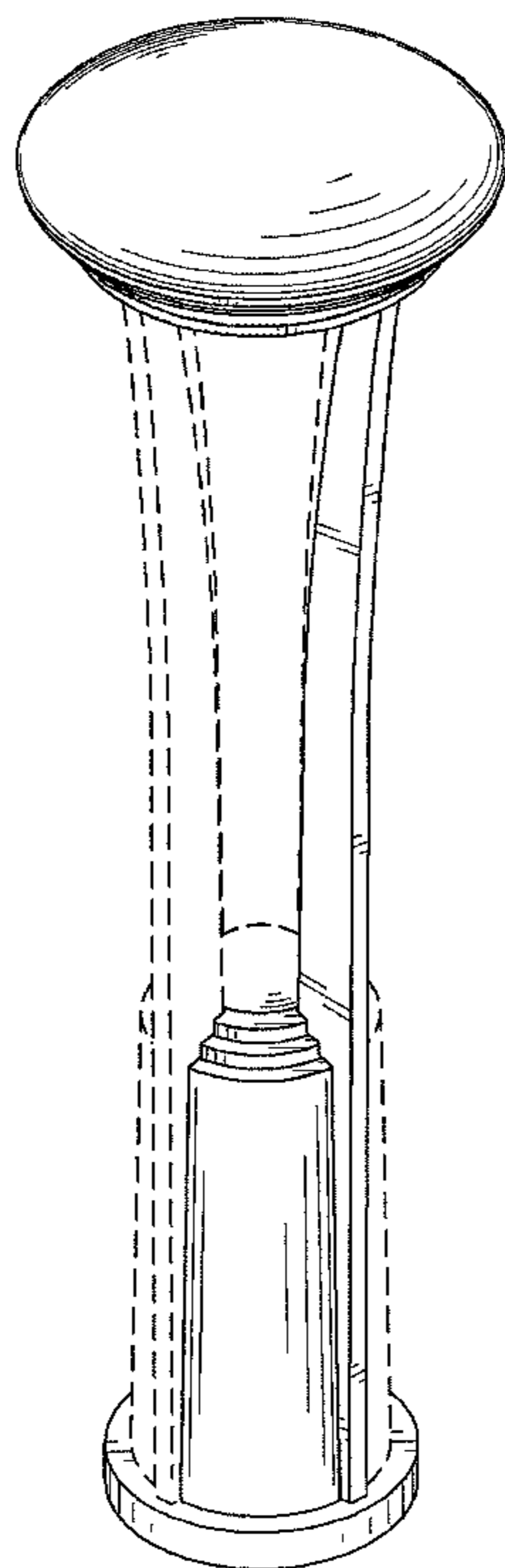
FIG. 4 is a right side elevation view thereof;

FIG. 5 is a front elevation view thereof; and,

FIG. 6 is a top plan view thereof.

The broken lines in the figures are for illustrative purposes only and form no part of the claimed invention.

1 Claim, 6 Drawing Sheets



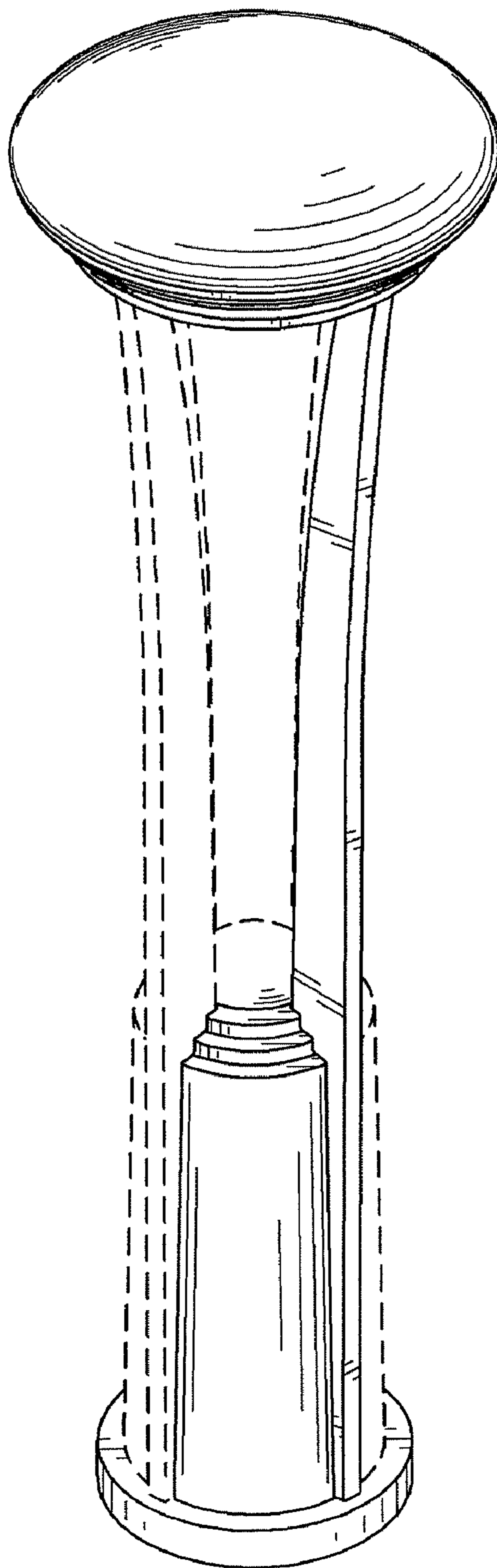


FIG. 1

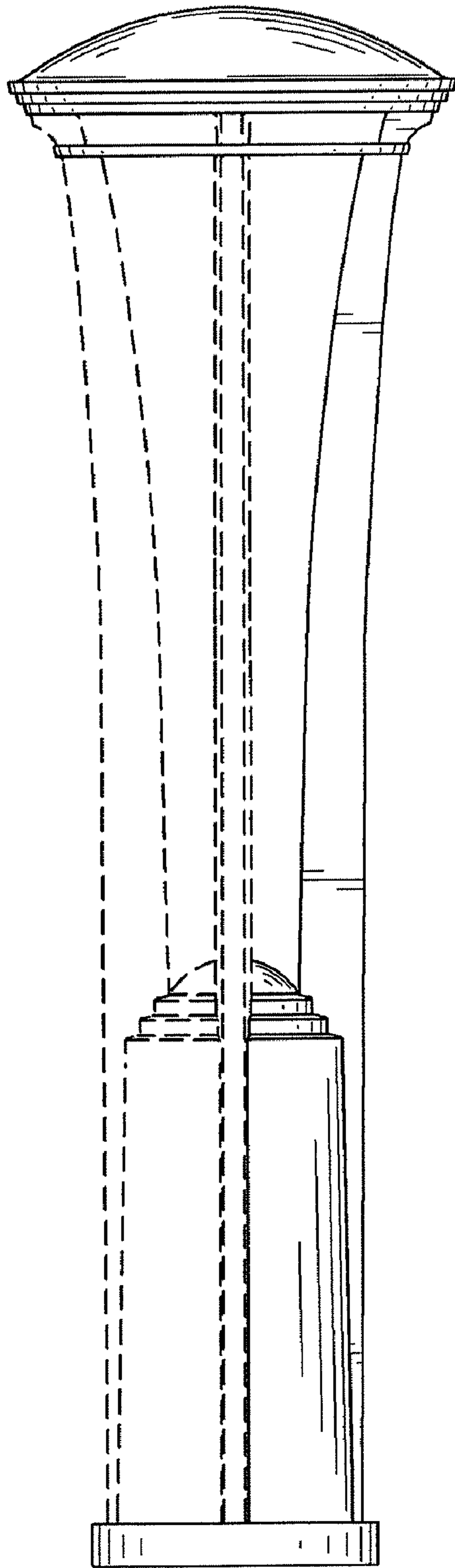


FIG. 2

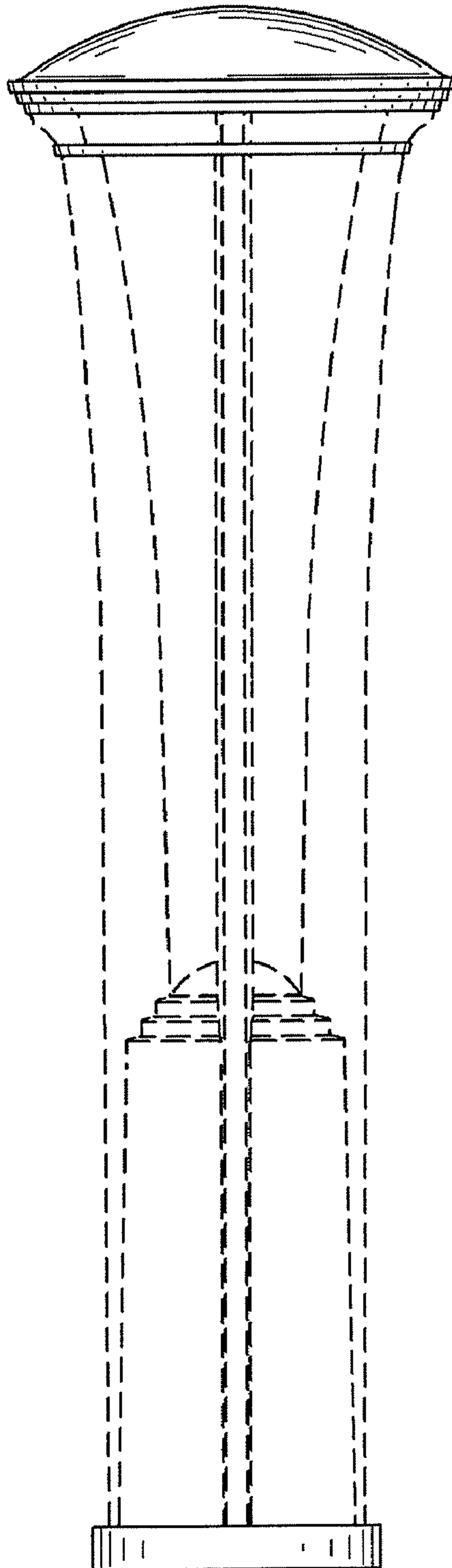


FIG. 3

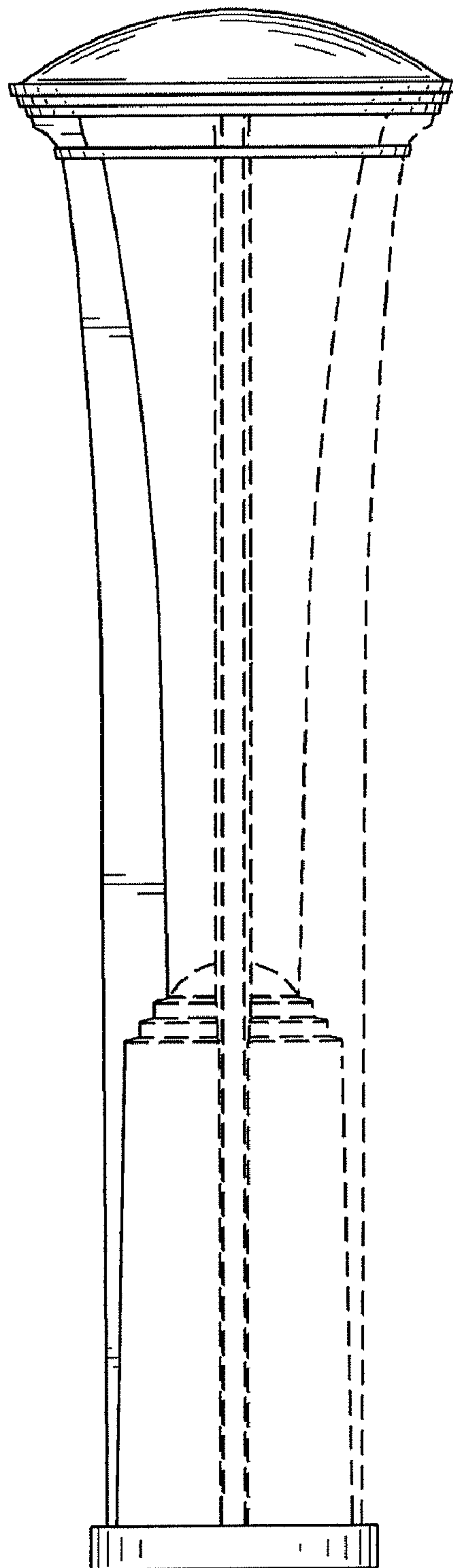


FIG. 4

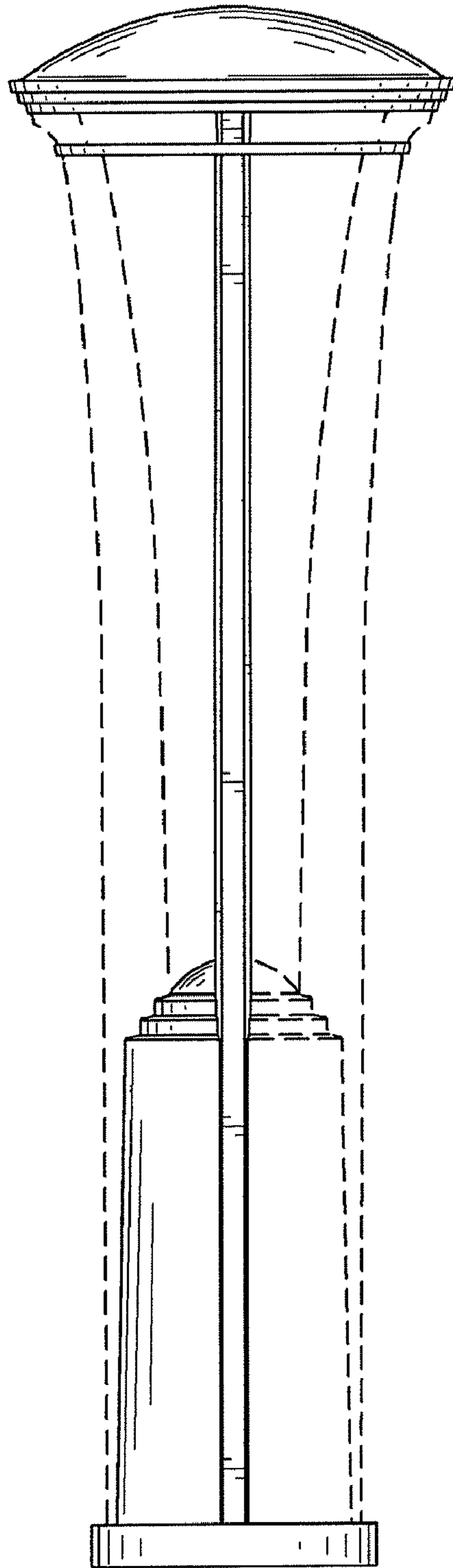


FIG. 5

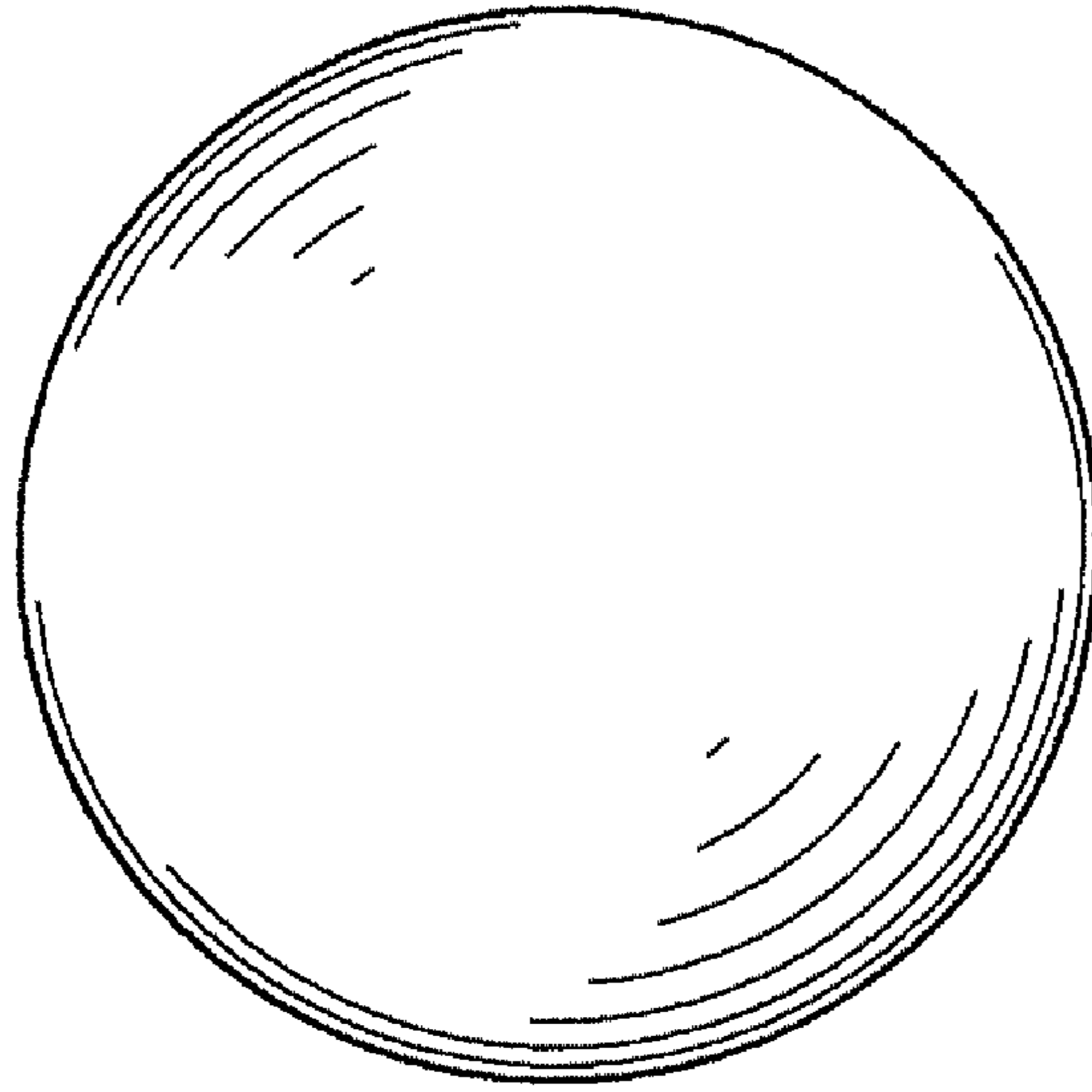


FIG. 6