



US00D652975S

(12) **United States Design Patent**
Harshaw

(10) **Patent No.:** **US D652,975 S**

(45) **Date of Patent:** **** Jan. 24, 2012**

(54) **SOLAR FLAG POLE LIGHT**

(76) Inventor: **Bobby F. Harshaw**, Ottawa, KS (US)

(**) Term: **14 Years**

(21) Appl. No.: **29/390,187**

(22) Filed: **Apr. 21, 2011**

(51) **LOC (9) Cl.** **26-05**

(52) **U.S. Cl.** **D26/67**

(58) **Field of Classification Search** D26/67-71,
D26/85, 128-135; 362/102, 152, 153, 153.1,
362/180, 183, 431, 653

See application file for complete search history.

(56) **References Cited**

U.S. PATENT DOCUMENTS

| | | | | | |
|-----------|-----|---------|-----------------|-------|---------|
| 805,742 | A * | 11/1905 | Mygatt | | 362/334 |
| D211,278 | S * | 6/1968 | Bobrick | | D26/68 |
| 3,395,273 | A * | 7/1968 | Wely | | 362/334 |
| D226,129 | S * | 1/1973 | Donato | | D26/68 |
| 4,020,858 | A * | 5/1977 | Wilson | | 362/102 |
| 5,228,772 | A * | 7/1993 | Mitchell et al. | | |
| D394,724 | S * | 5/1998 | Compton | | D26/67 |

| | | | | | |
|-----------|-----|--------|------------------|-------|---------|
| 5,896,712 | A | 4/1999 | Chao | | |
| D441,116 | S * | 4/2001 | Sanoner | | D26/68 |
| D459,020 | S * | 6/2002 | Shen | | D26/125 |
| D567,424 | S * | 4/2008 | St-Pierre et al. | | D26/67 |
| D590,086 | S * | 4/2009 | Laporta | | D26/67 |
| D591,885 | S * | 5/2009 | Tortel | | D26/67 |

* cited by examiner

Primary Examiner — Clare E Heflin

(74) *Attorney, Agent, or Firm* — Dale J. Ream

(57) **CLAIM**

The ornamental design for a solar flag pole light, as shown and described.

DESCRIPTION

FIG. 1 is a perspective view of a solar flag pole light showing my new design;

FIG. 2 is a front view thereof;

FIG. 3 is a back view thereof;

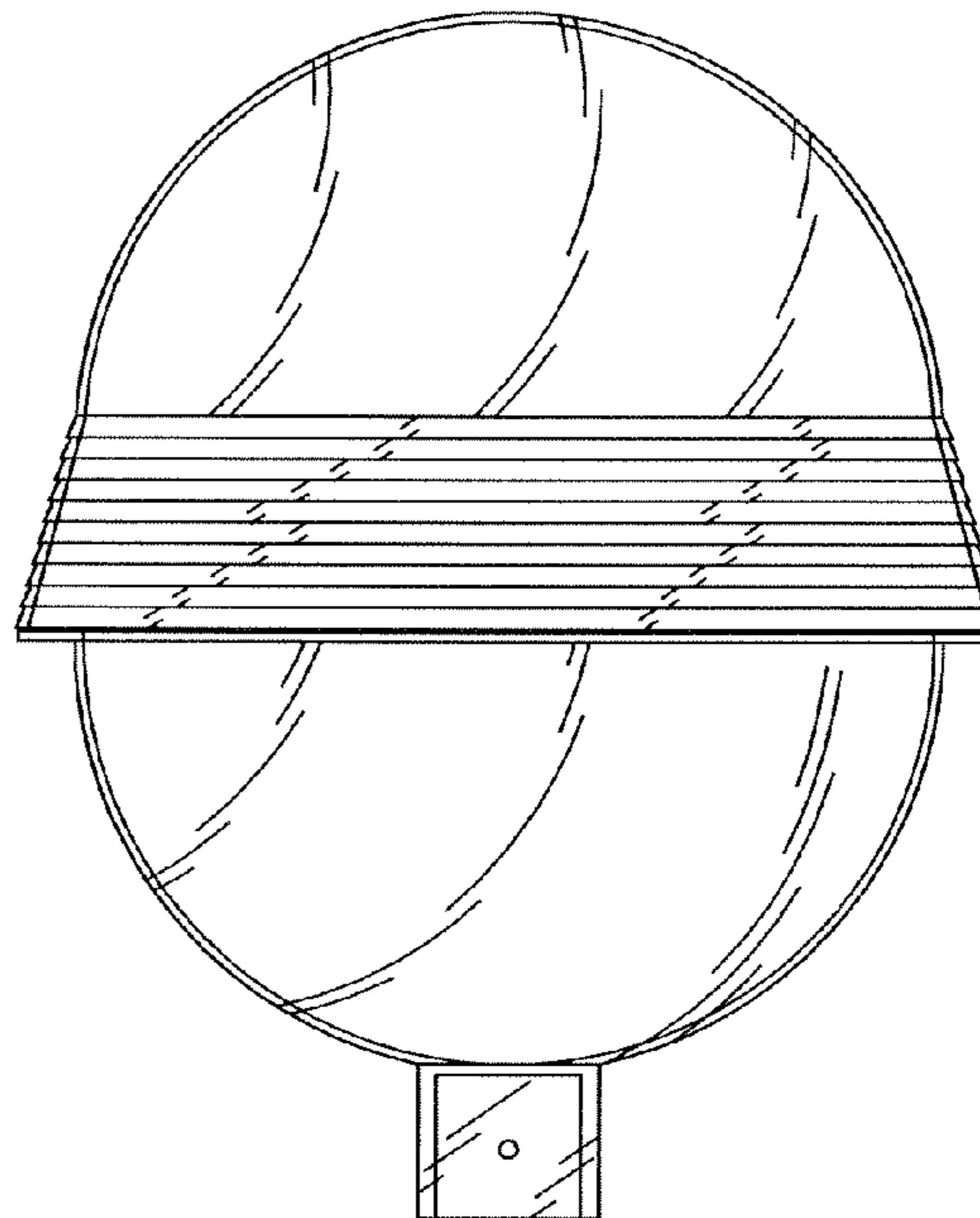
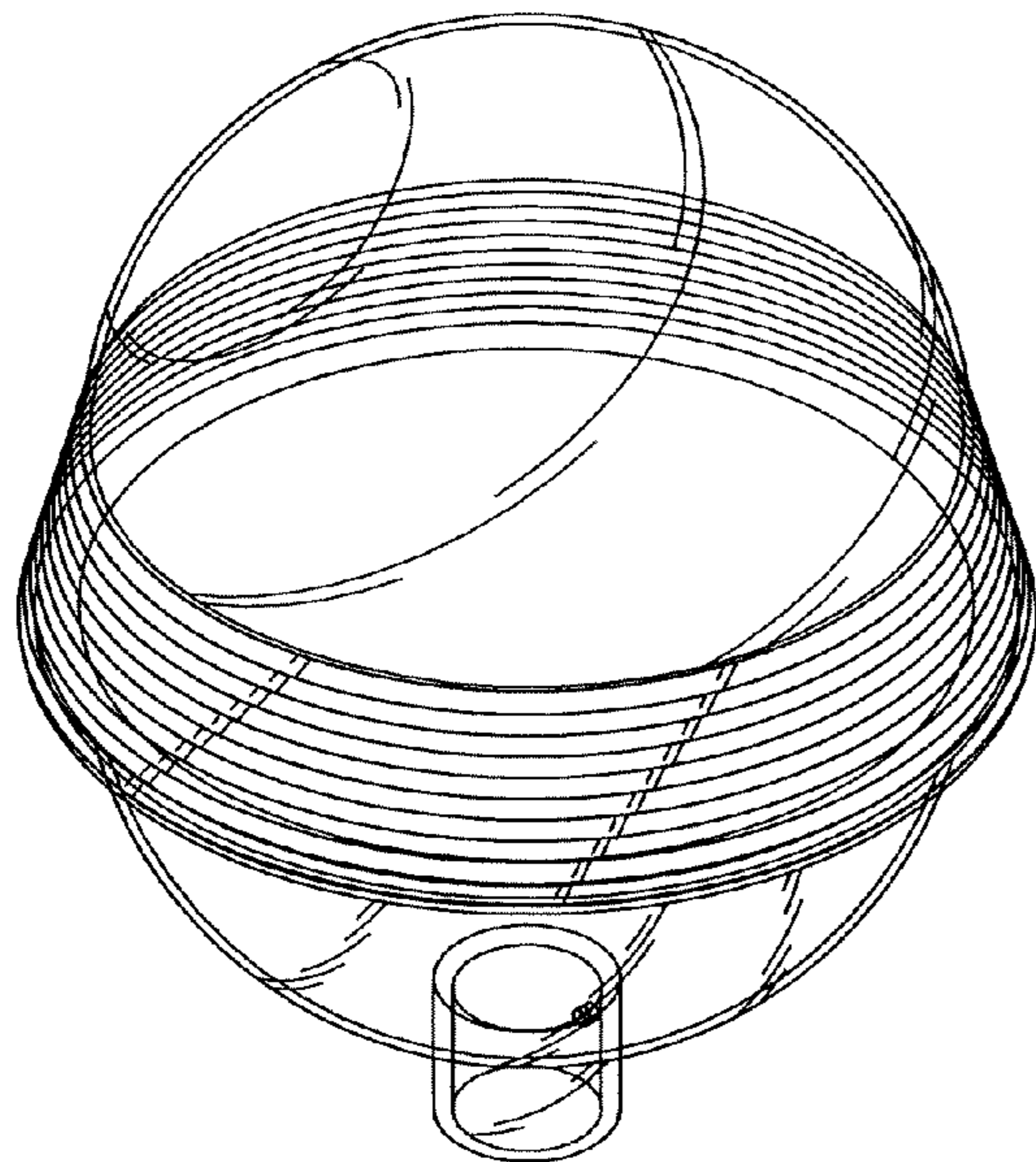
FIG. 4 is a right side view thereof;

FIG. 5 is a left side view thereof;

FIG. 6 is a top view thereof; and,

FIG. 7 is a bottom view thereof.

1 Claim, 4 Drawing Sheets



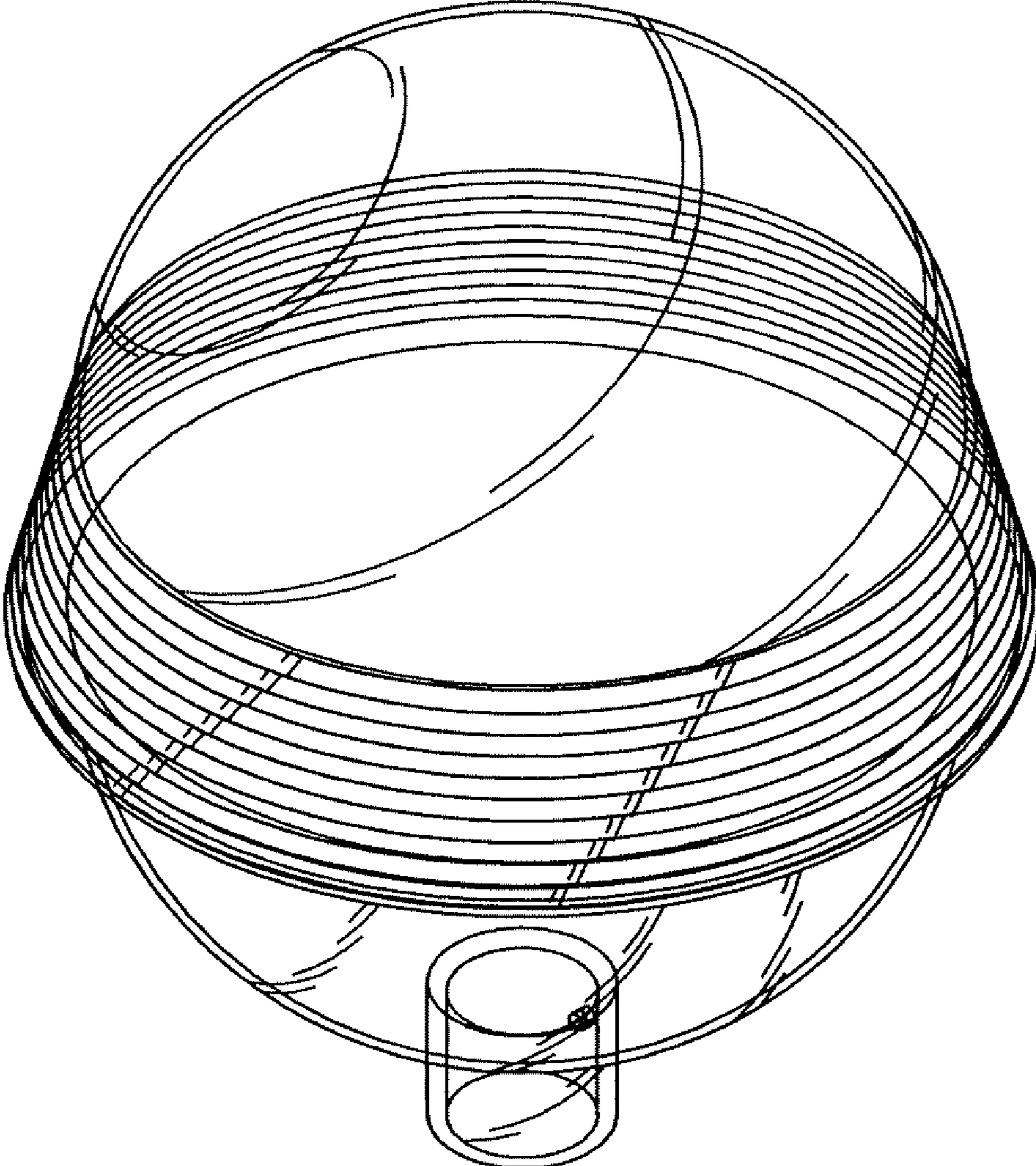


Fig. 1

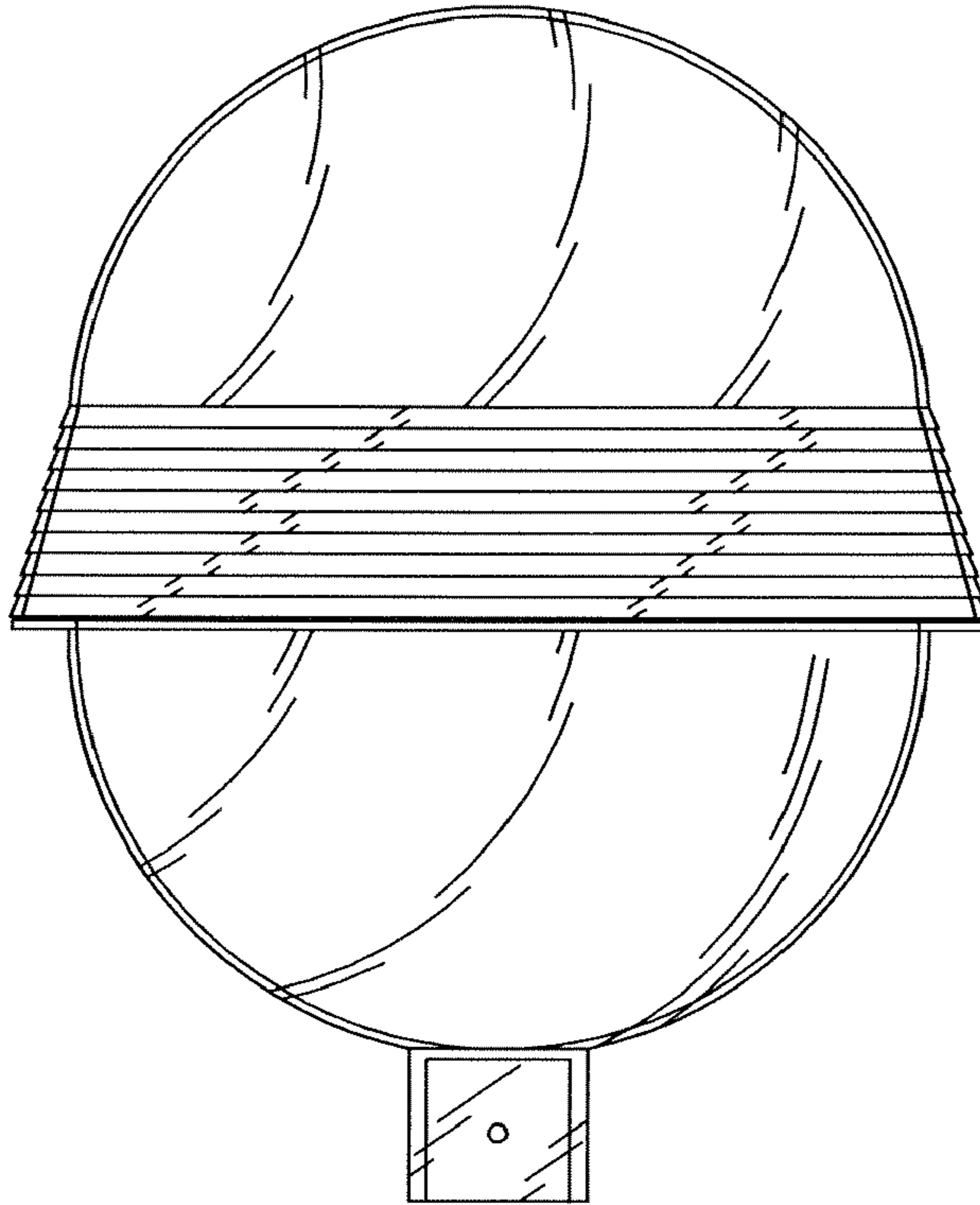


Fig. 2

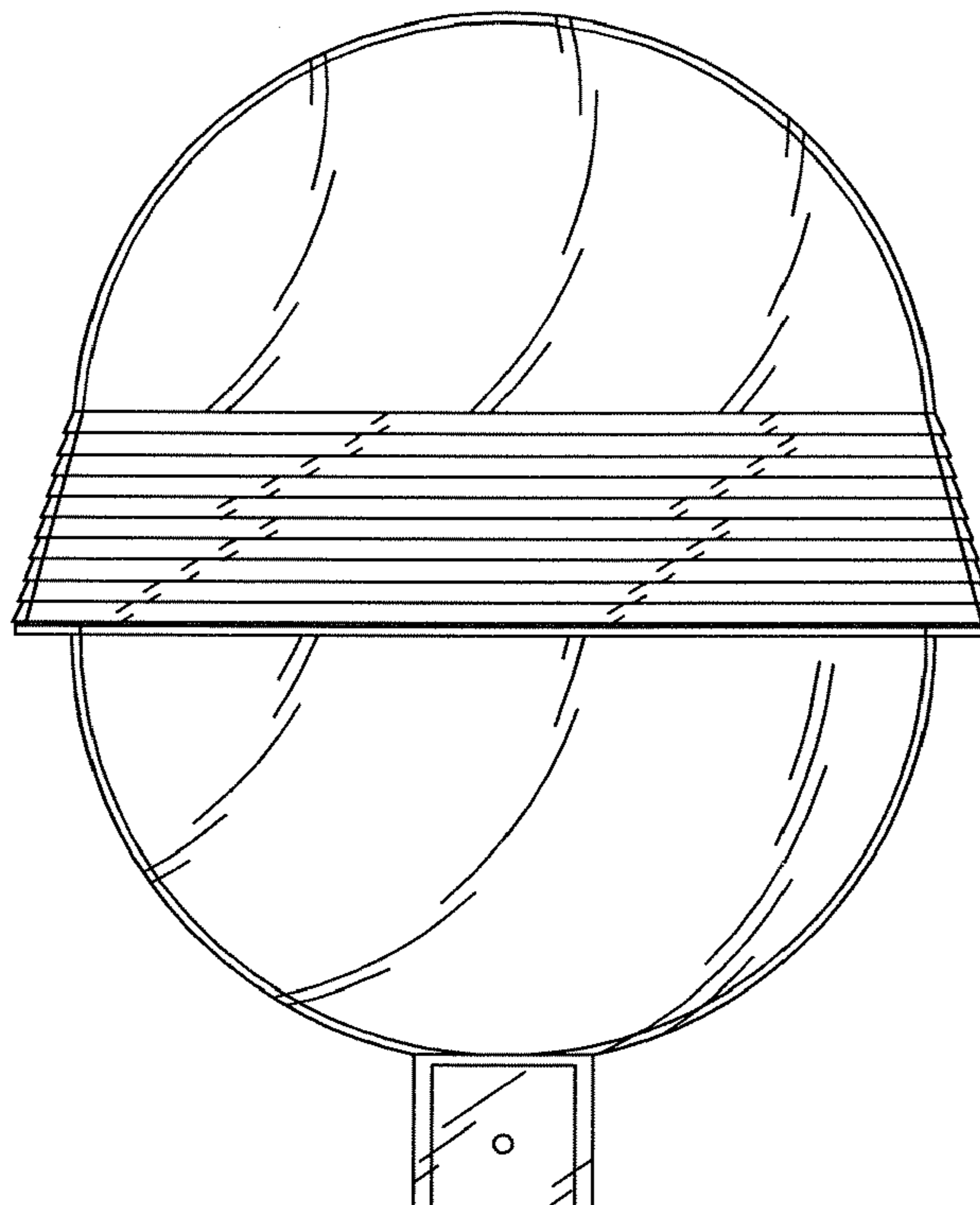


Fig. 3

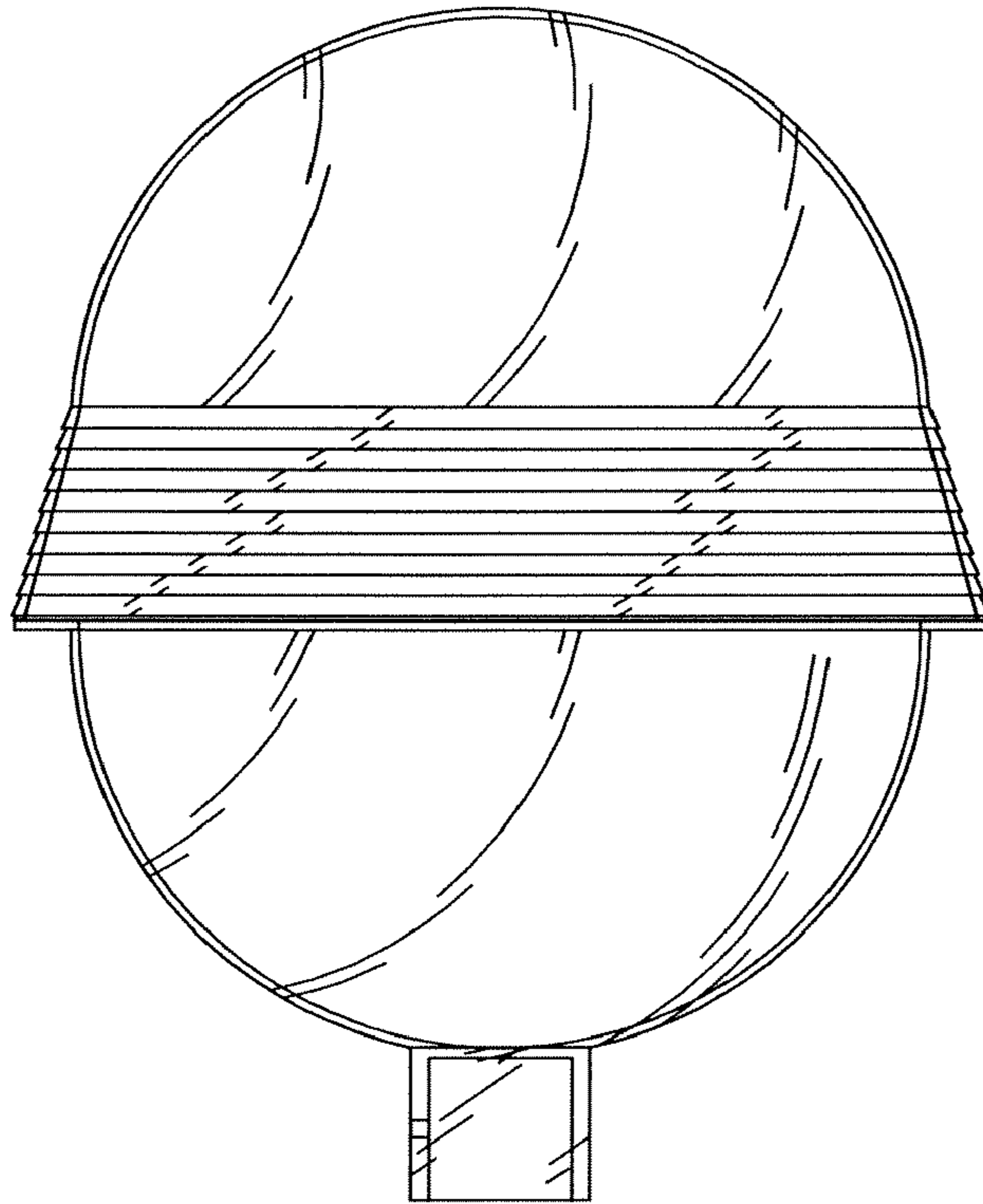


Fig. 4

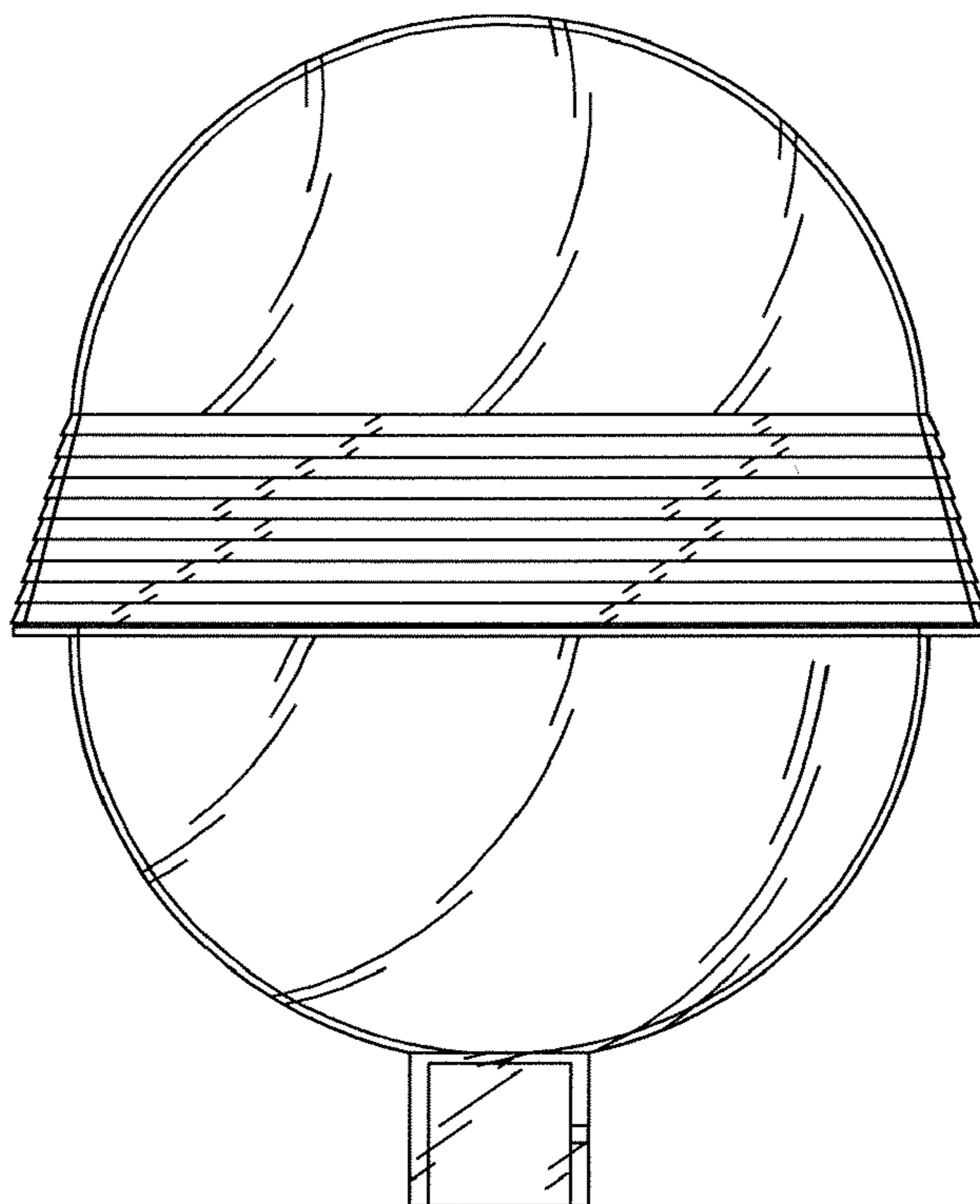


Fig. 5

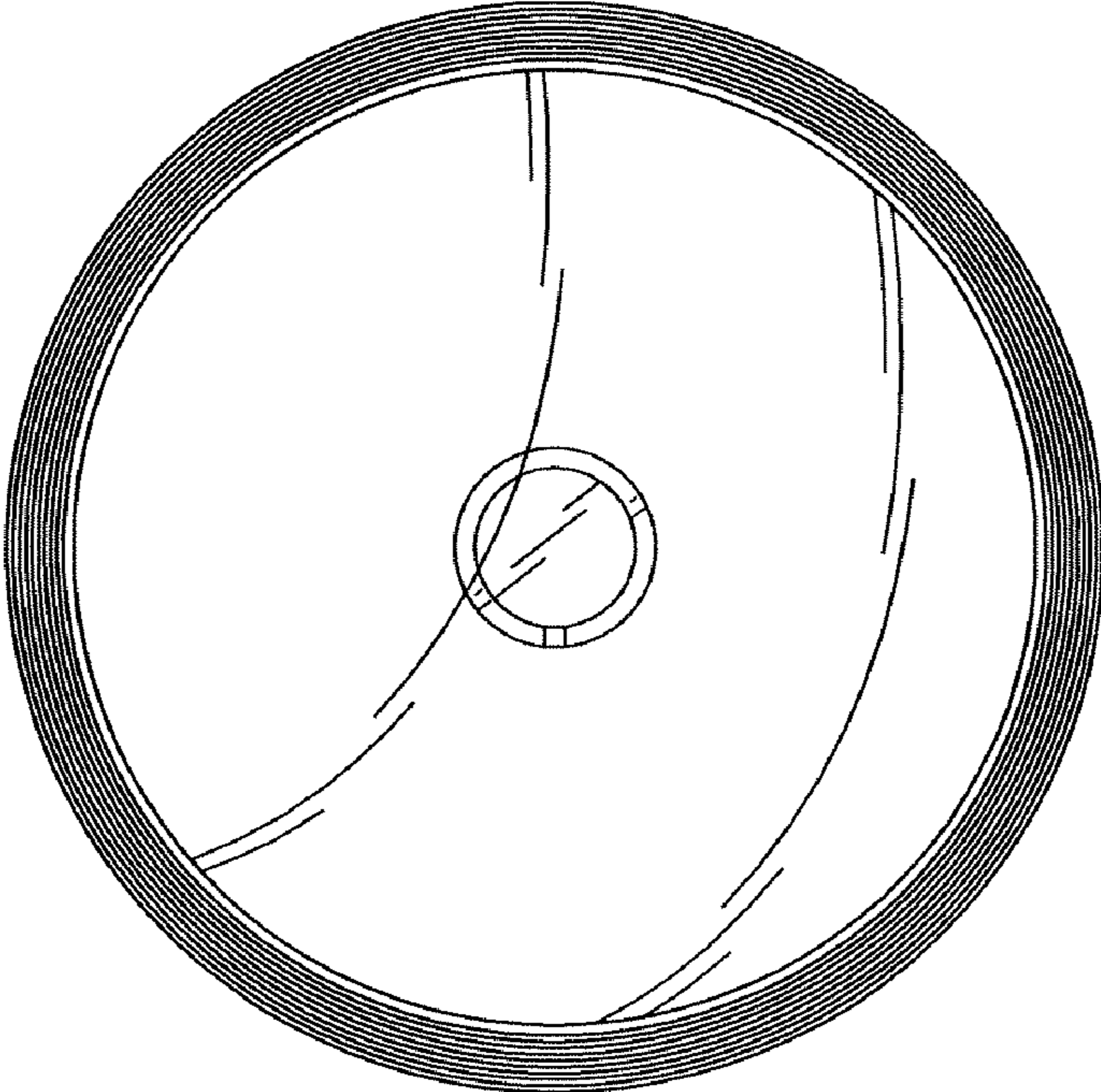


Fig. 6

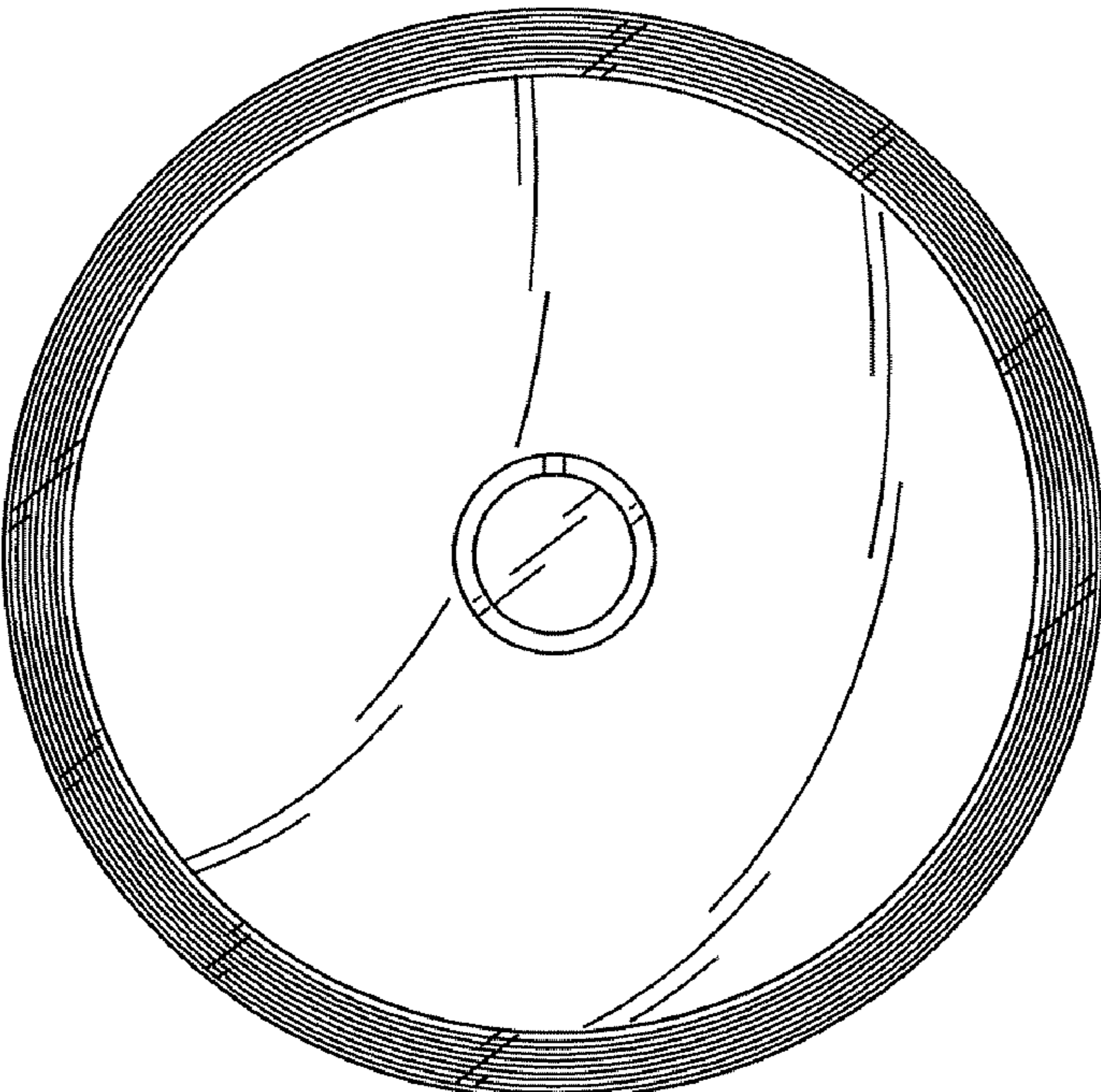


Fig. 7